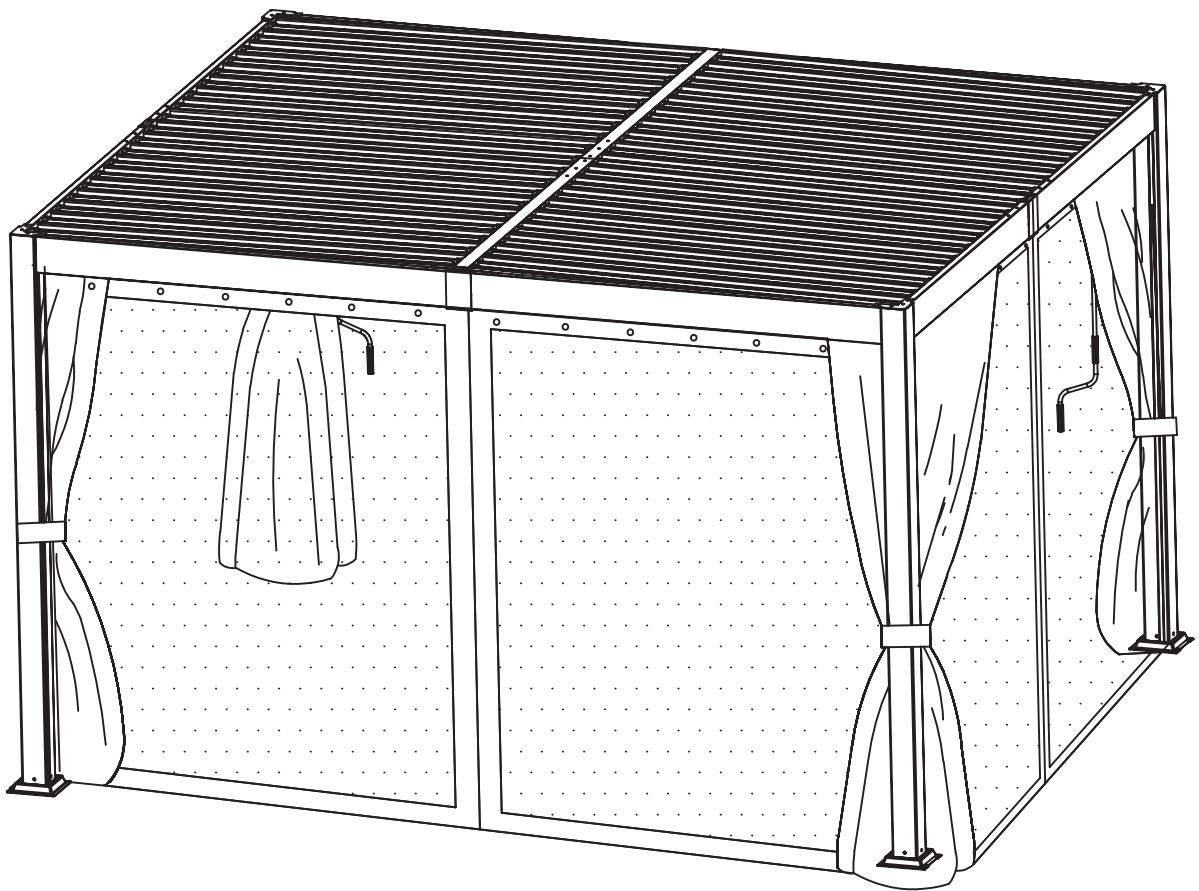


INSTALLATION INSTRUCTIONS


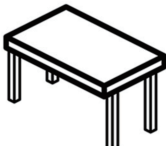



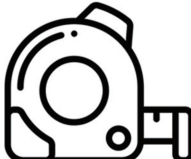
10x12 ft Pergolas



 VIWATCustomerService@gmail.com

Our team is available 24/7 to help with any product questions. Contact us anytime!

REQUIRED TOOLS

Tools			
	Gloves	Table	Ladder
			
	Power drill	Screw drive	Tape Measure

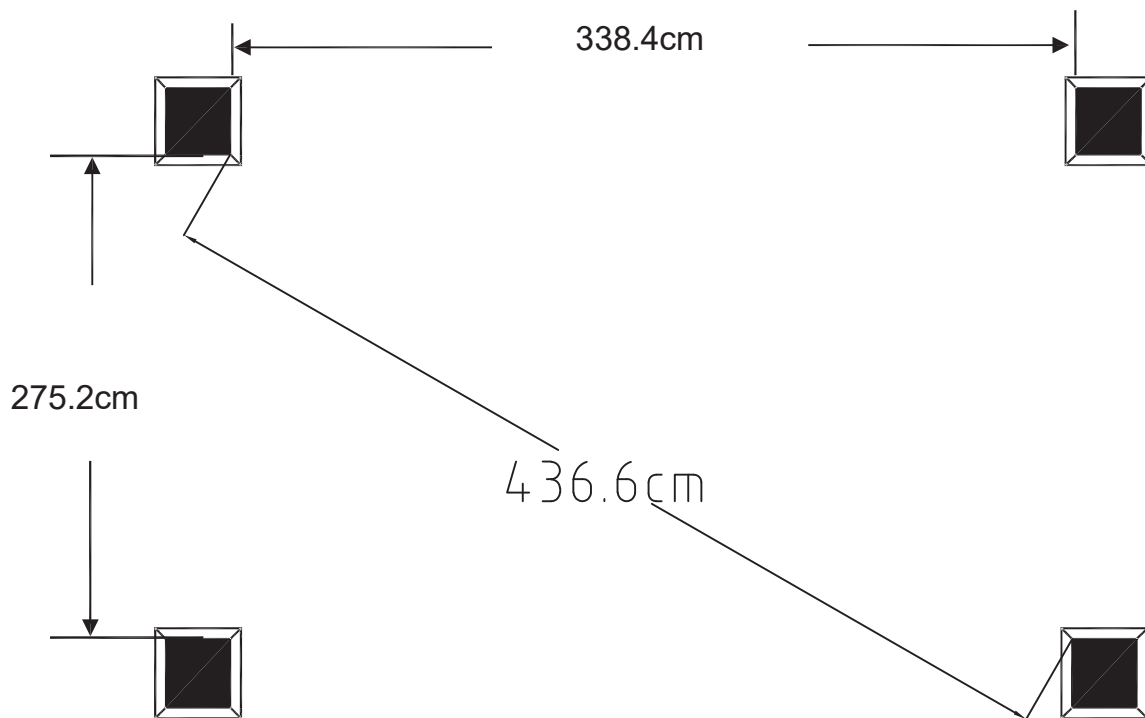
ASSEMBLY TIPS

1. Clear a working area to allow access on all four sides. A raised work surface will make assembly easier. It is easier to install the wall panel on the table.
2. All parts are identified, so when working through the instructions page by page, the diagrams show where each part is positioned.
3. Before starting, to avoid any accidental injury, we recommend the use of gloves to protect your hands.
4. Please keep children away from your construction site.
5. Most assembly can be completed by one person, but assistance may be needed when you reach the erection stage.
6. Please note: Some local government authorities have rules & regulations on shed installation, and you may need approval to erect this shed.

ASSEMBLY STEPS

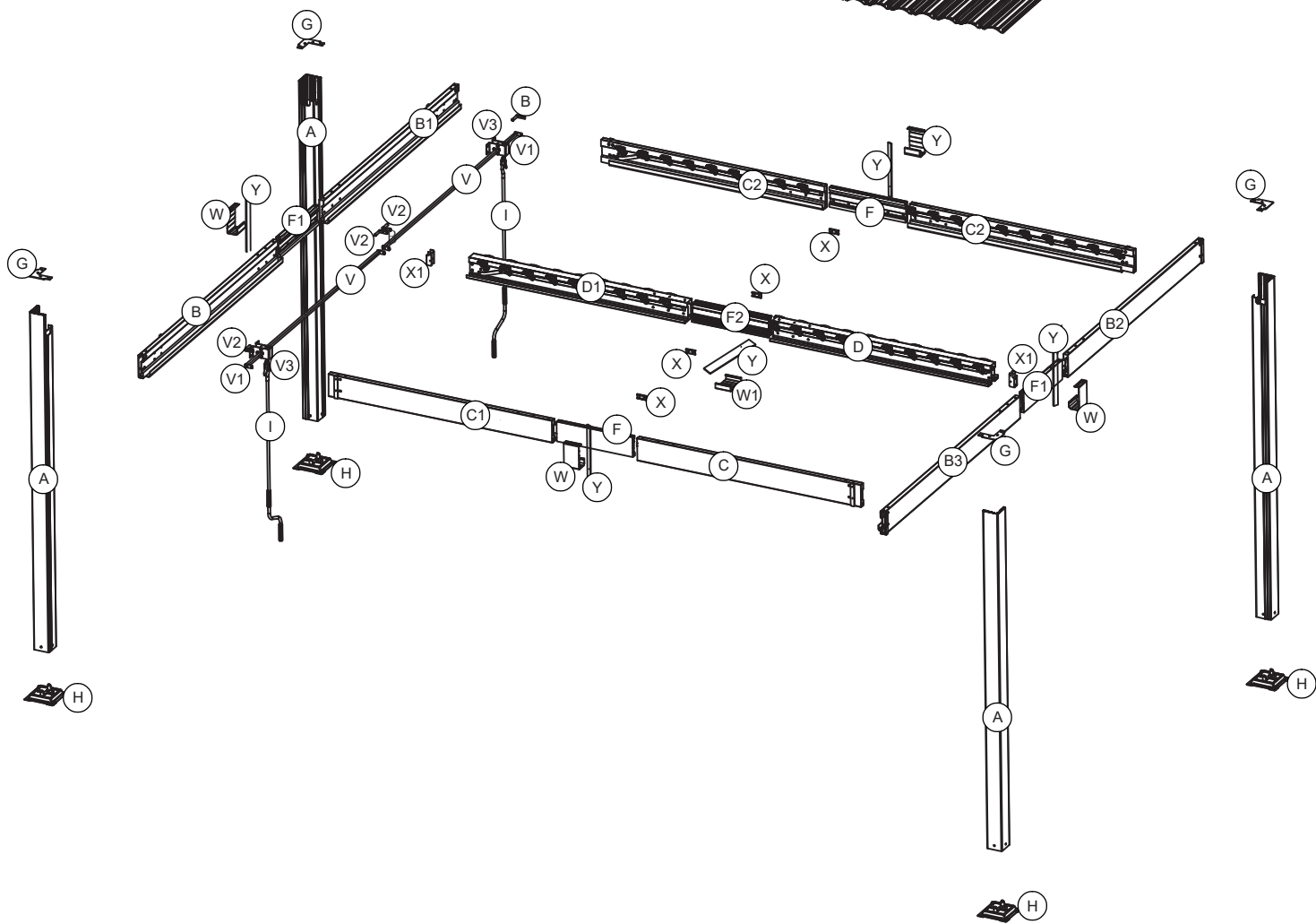
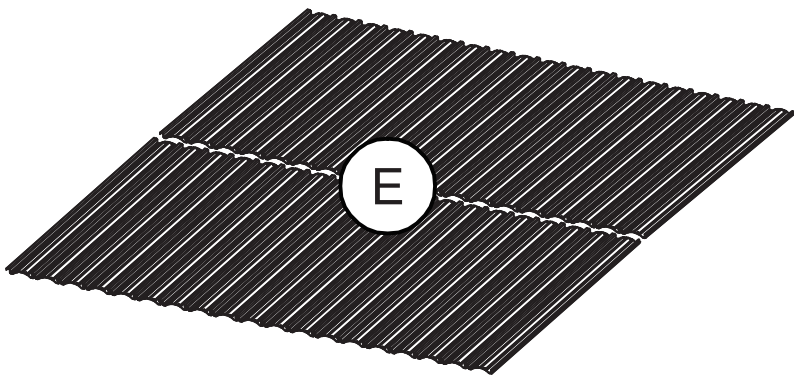
1. Unpack all components from the carton and lay them out beside your work area. Check parts against the parts list.
2. Work through the assembly instructions page by page.
3. Once assembly is completed, place the shed in position and fix the anchor to the ground.
4. Clean up all metal pieces and screws.
















Installation size diagram






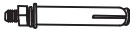
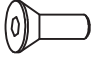
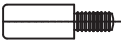
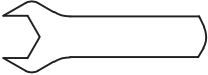










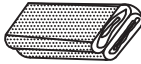








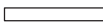
The width dimension error is restricted to 3MM.

Diagonal line error should be limited to 5MM



Name	part code	part sketch	Quantity
	A		4
	B		1
	B1		1
	B2		1
	B3		1
	C		1
	C1		1
	C2		1
	C3		1
	D		1
	D1		1
	E		38
	F		2
	F1		2
	F2		1

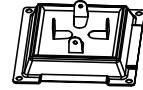
Name	part code	part sketch	Quantity
	G		4
	H		4
	I		2
	J	 M4.2x25	12+2
	K	 M6*17	202+5
	L	 M6x62	16
	M	 M6x8	8
	N	 M6x35	16
	O		1
	P2	 M6	2
	Q	 M8	1
	R1		1
	S		76
	T		16+2
	T1		16+2

Name	part code	part sketch	Quantity
	U		88
	U1		4
	U2		4
	V		2
	V1		2
	V2		4
	V3		2
	W		4
	W1		1
	X		4
	X1		2
	Y		5+1

STEP 1



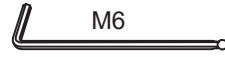
A:4PCS



H:4PCS



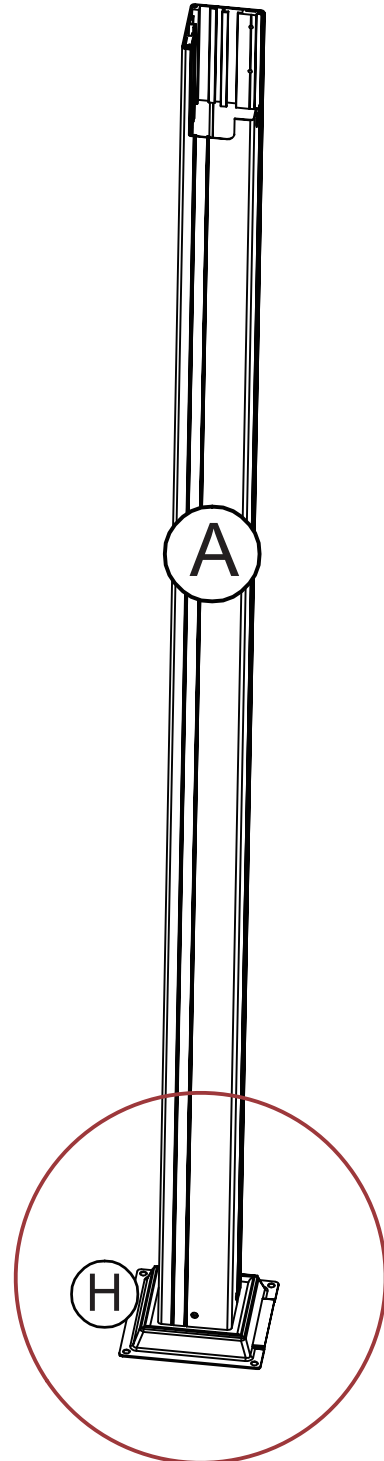
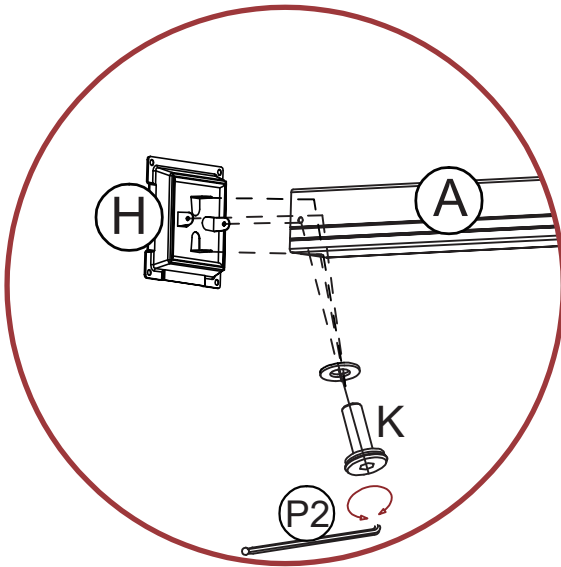
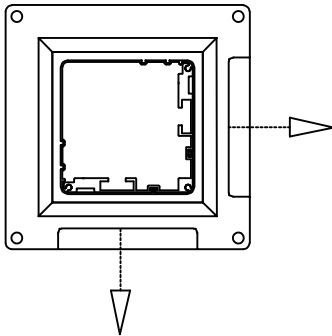
K:16PCS



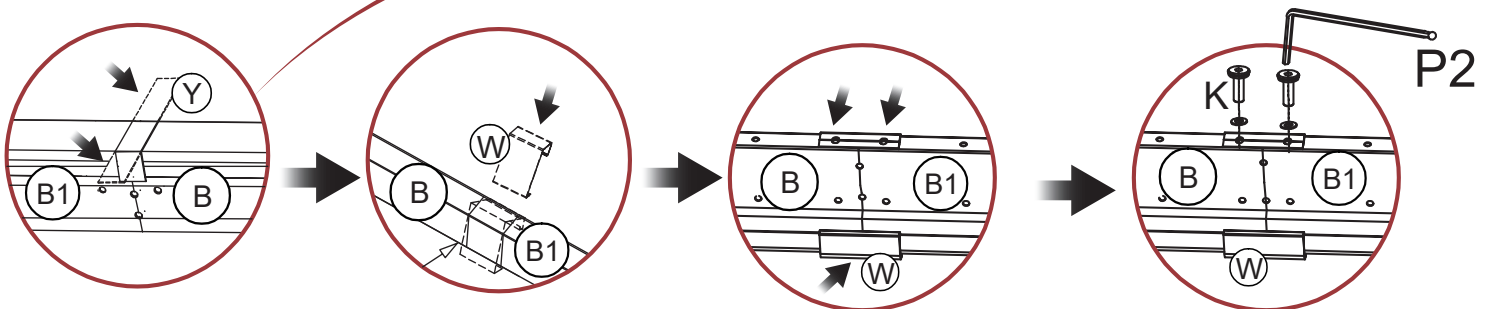
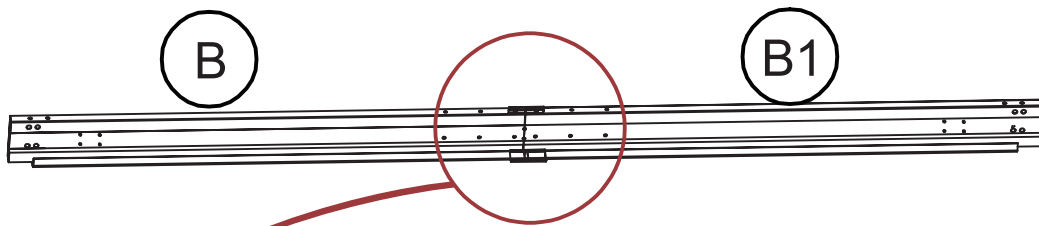
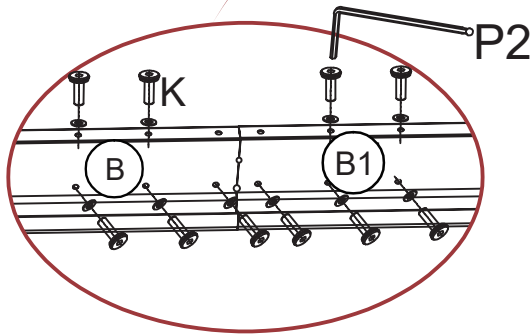
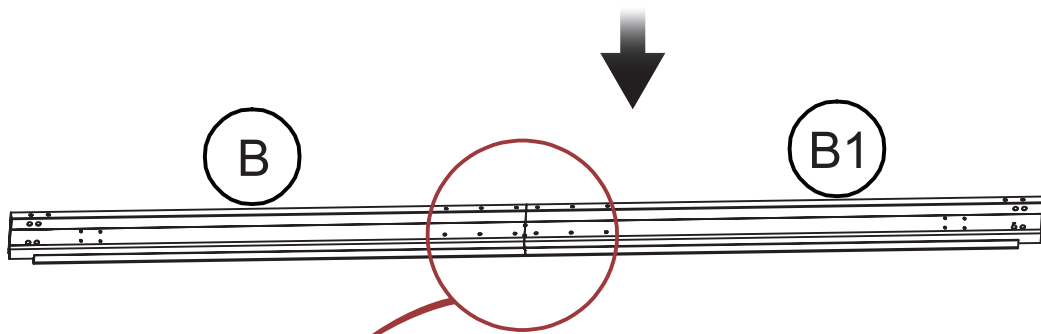
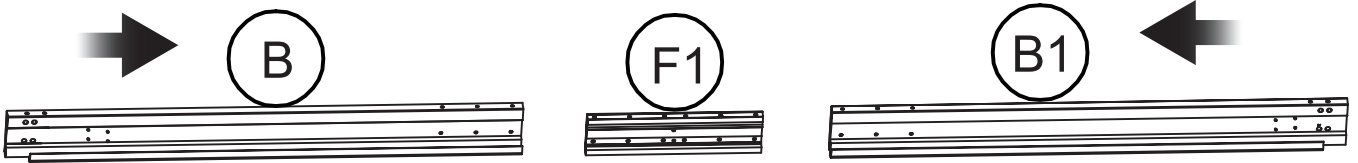
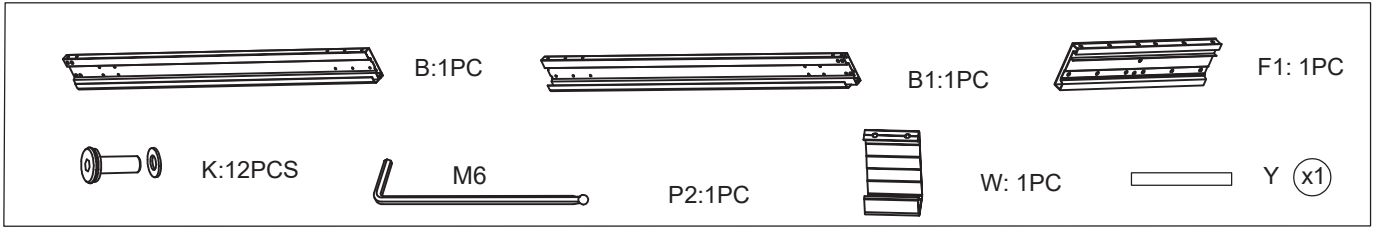
M6

P2:1PC

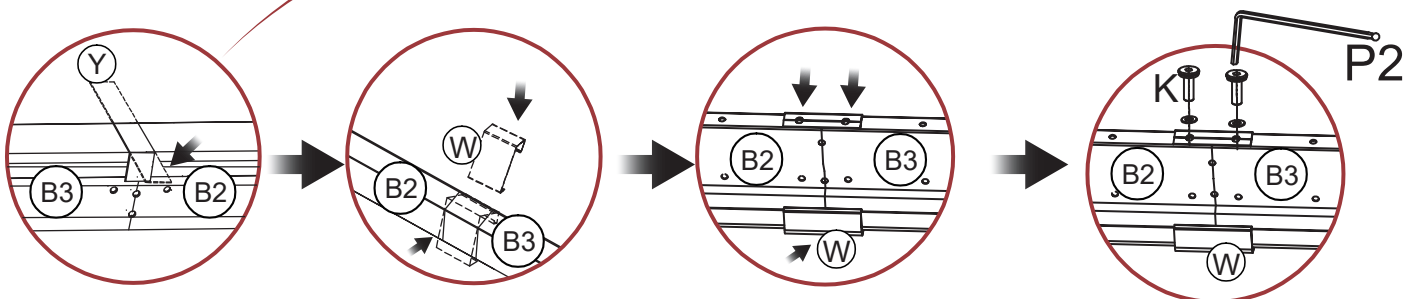
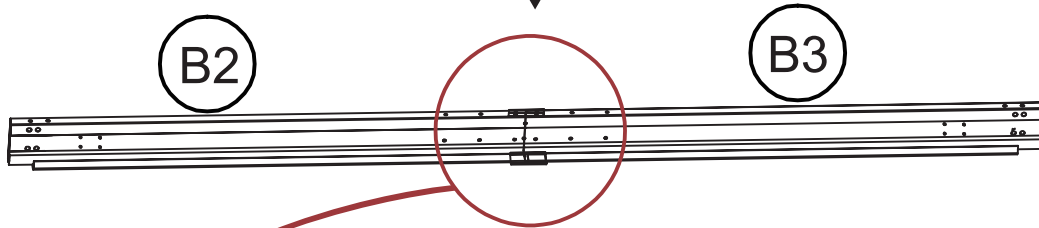
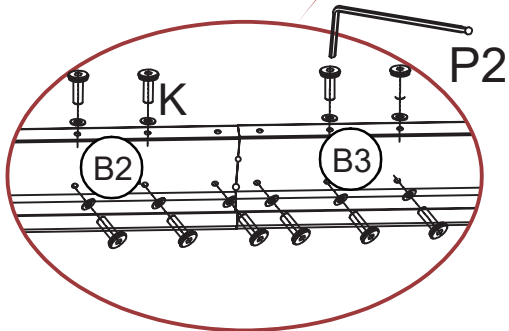
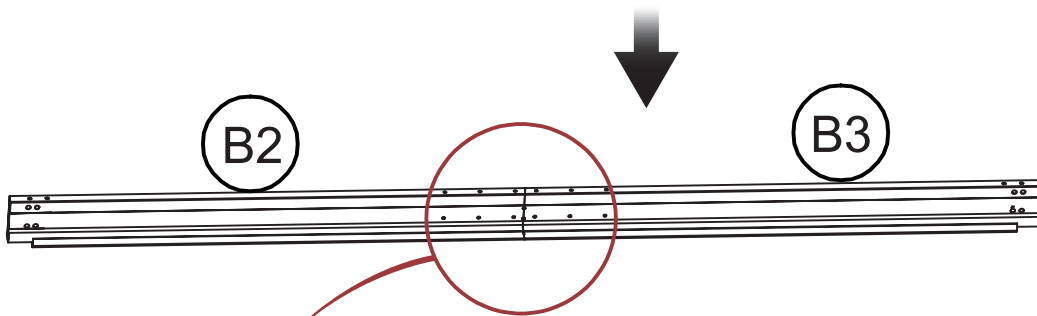
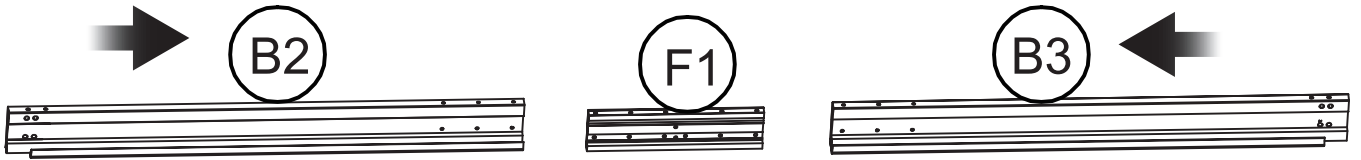
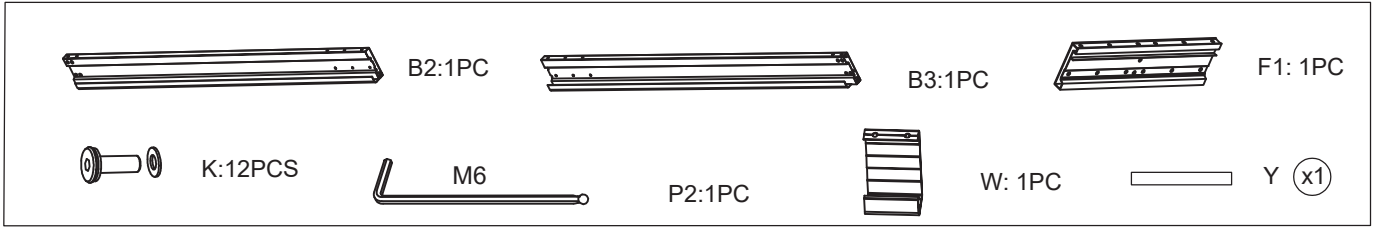
X4



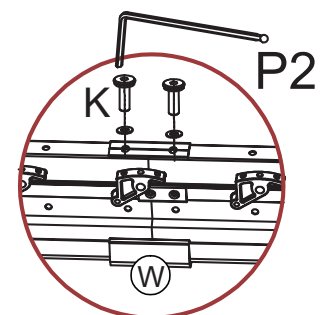
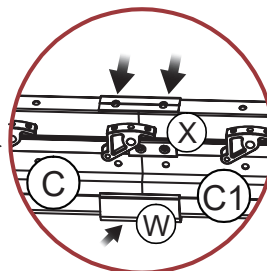
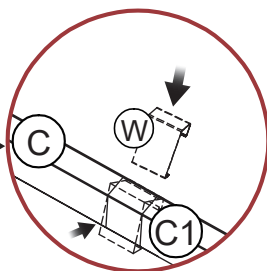
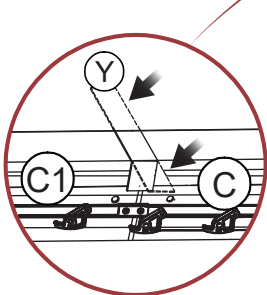
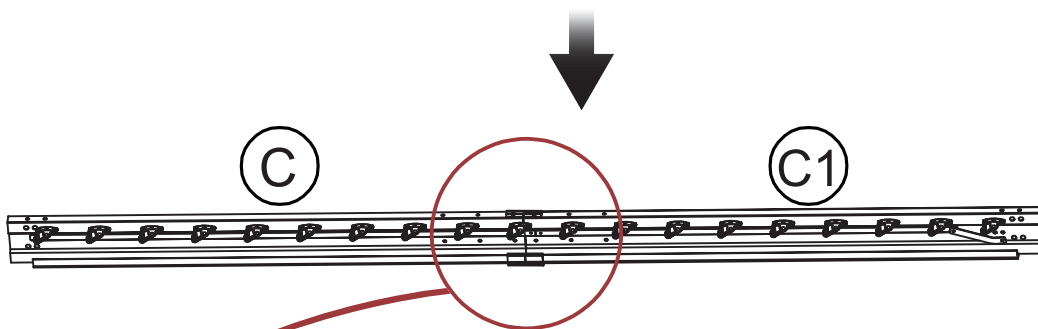
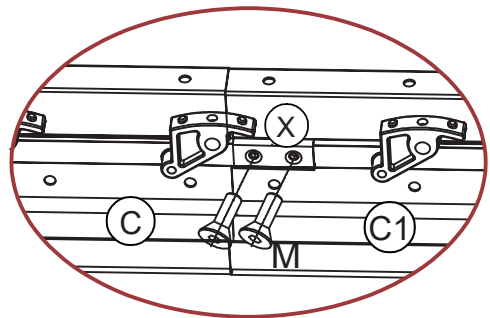
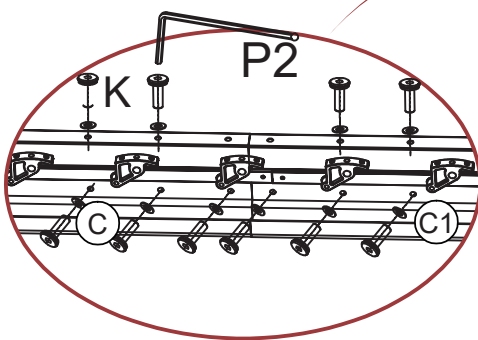
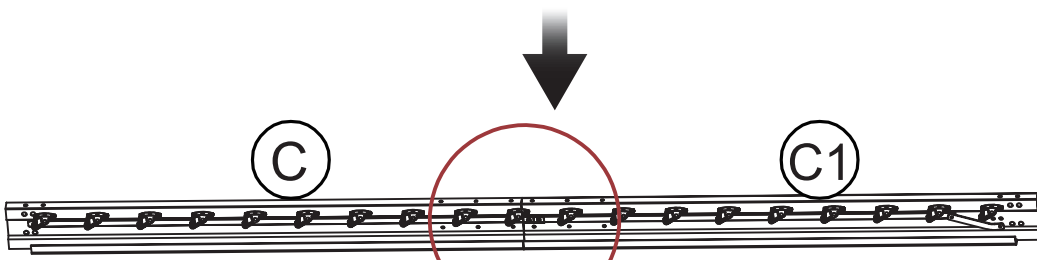
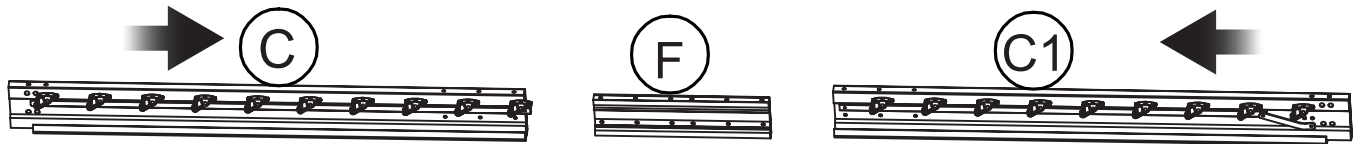
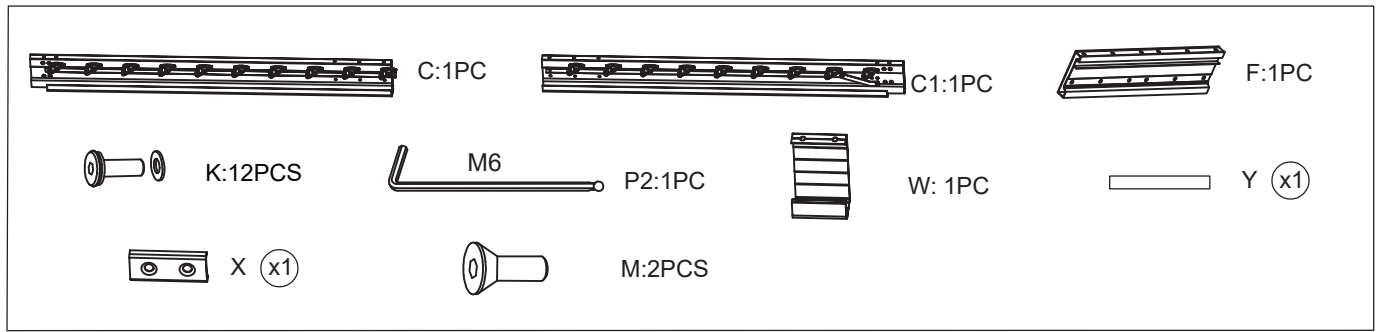
STEP 2



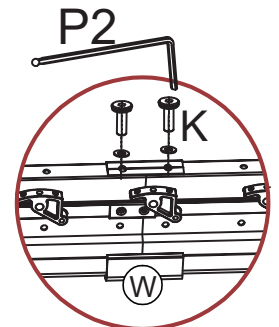
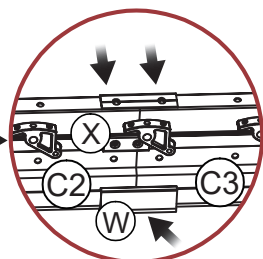
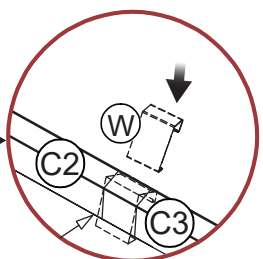
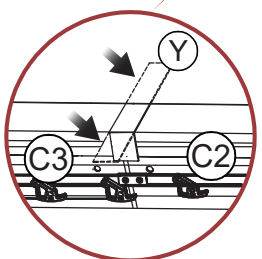
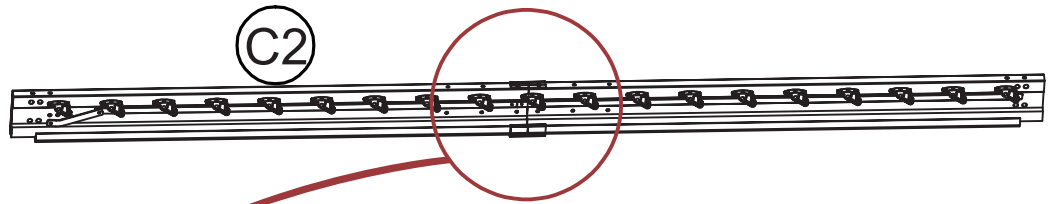
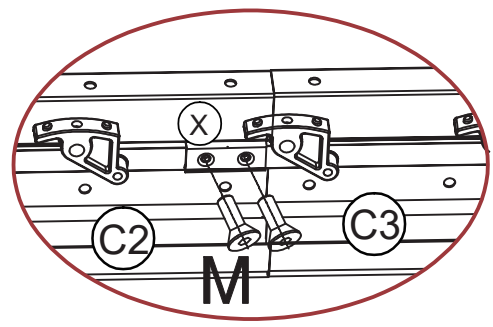
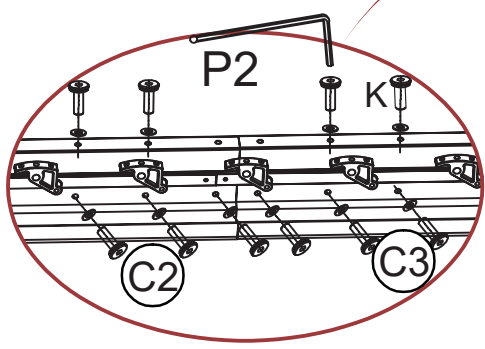
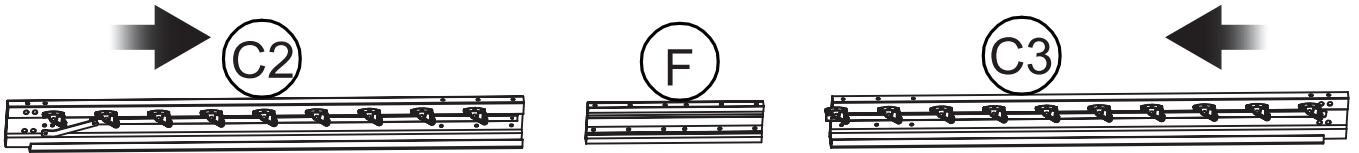
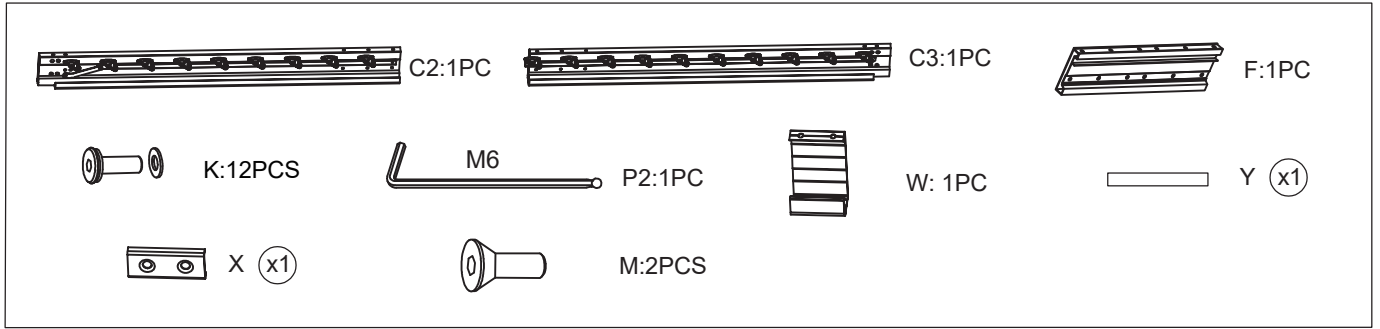
STEP 3



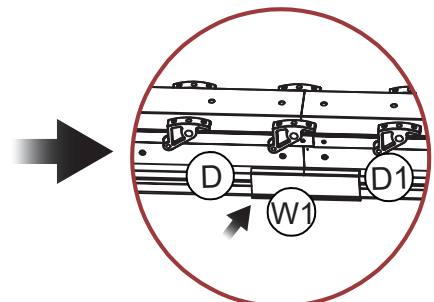
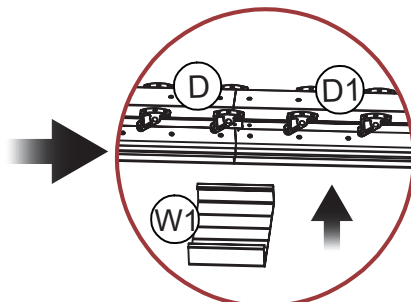
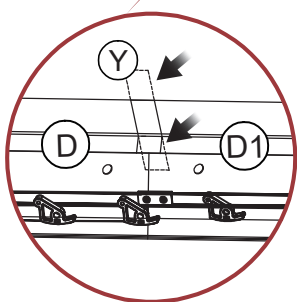
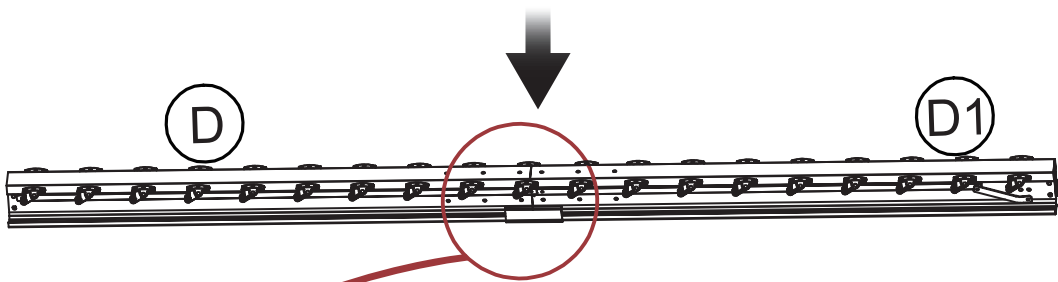
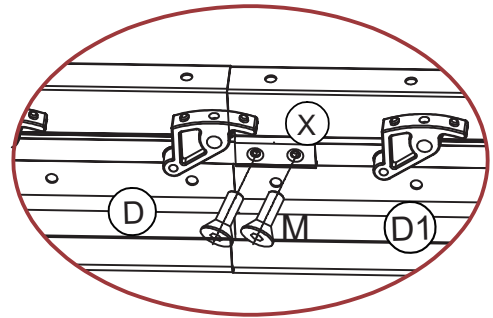
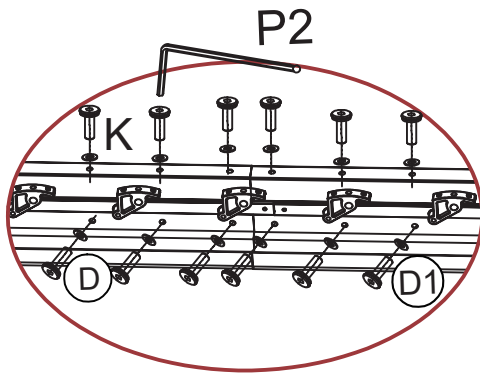
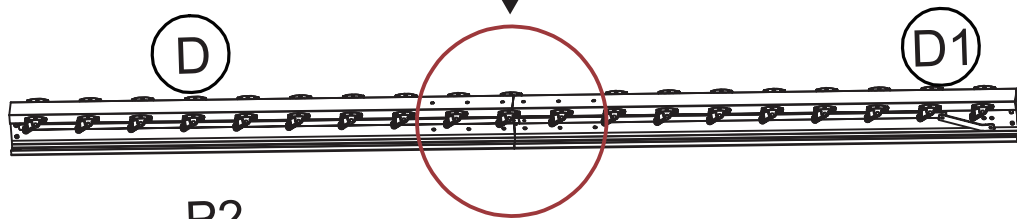
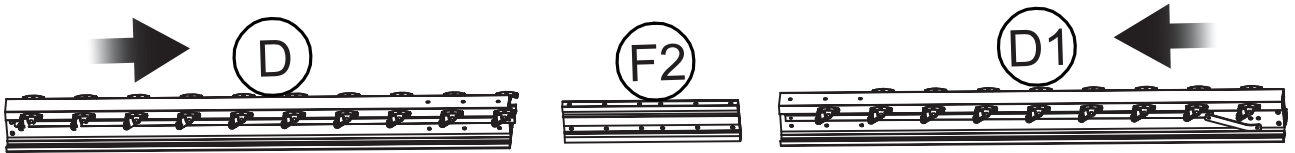
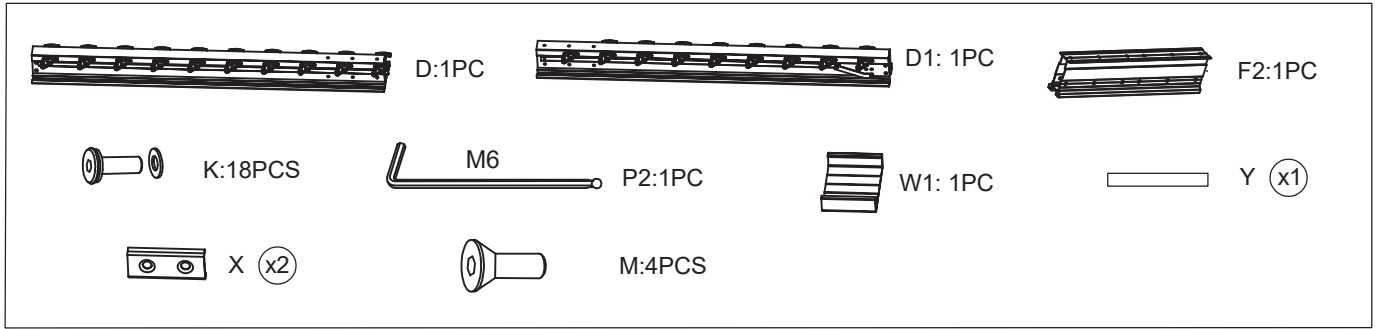
STEP 4



STEP 5



STEP 6



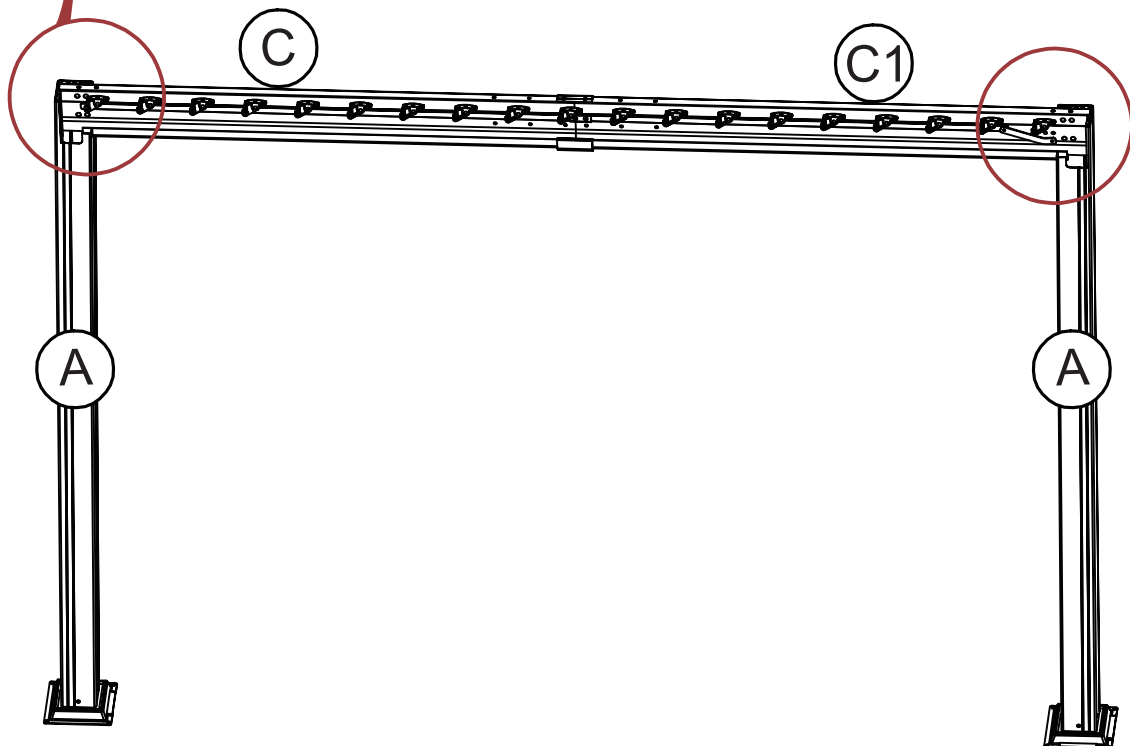
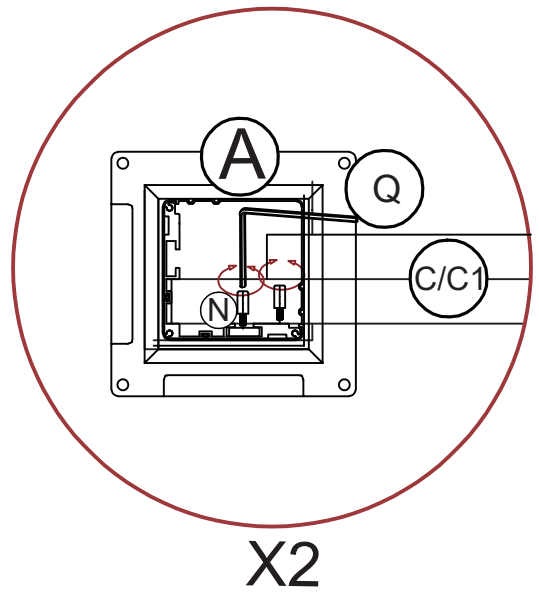
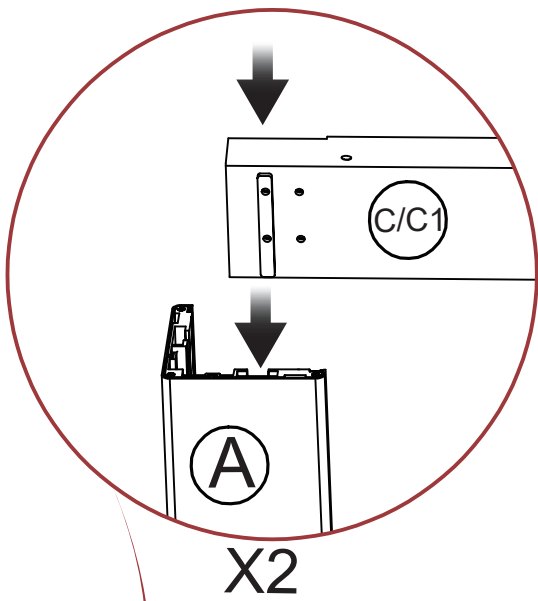
STEP 7

 N:4PCS



M8

Q:1PC



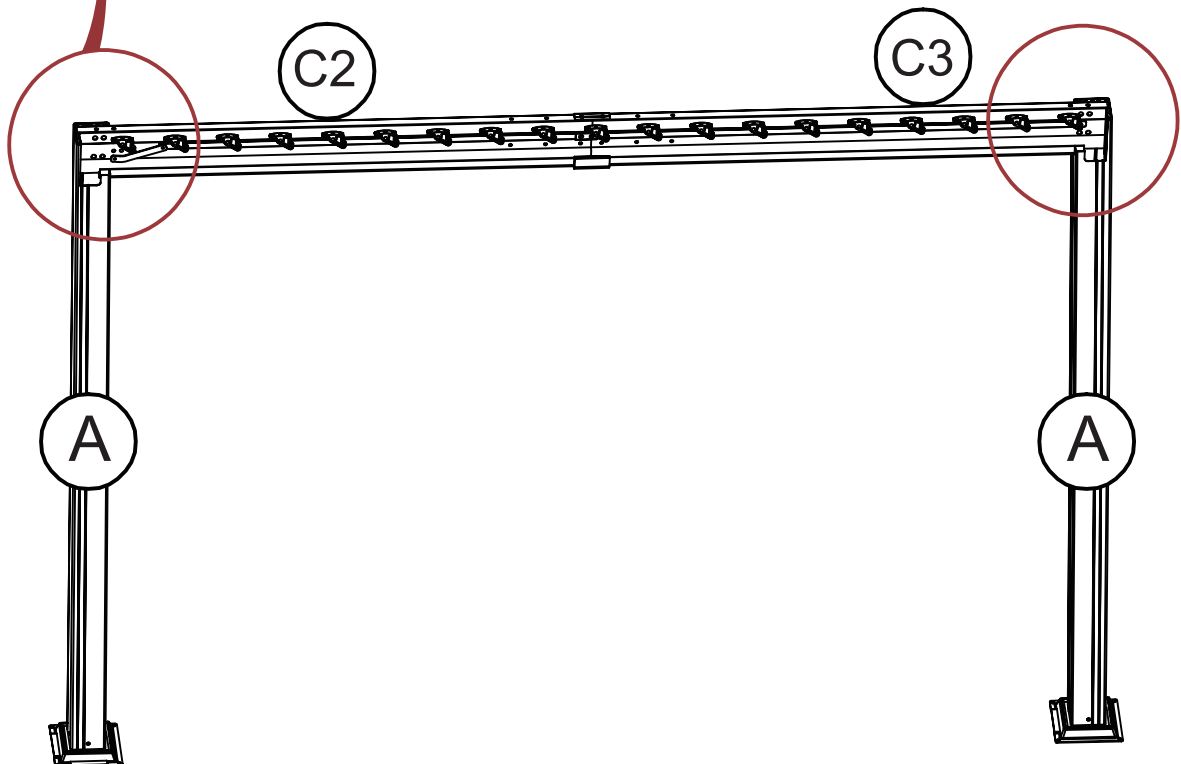
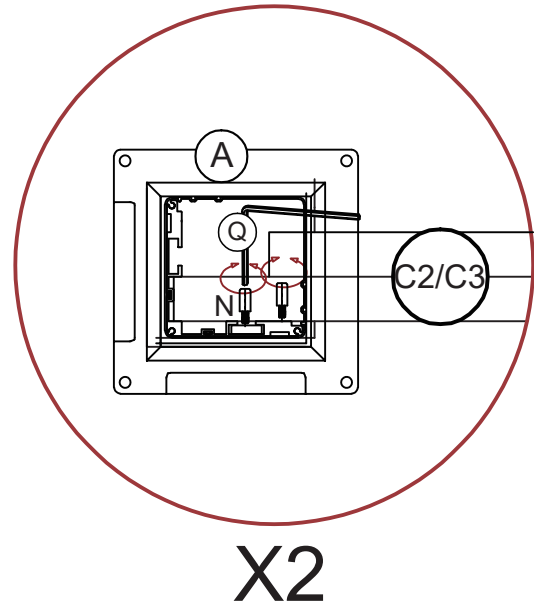
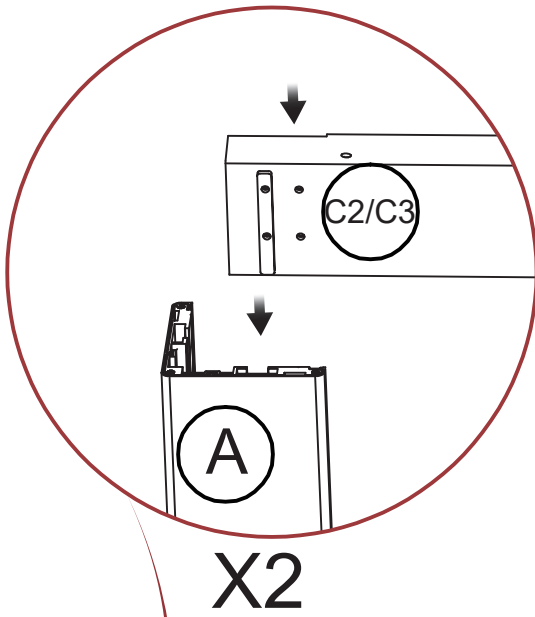
STEP 8

 N:4PCS



M8

Q:1PC

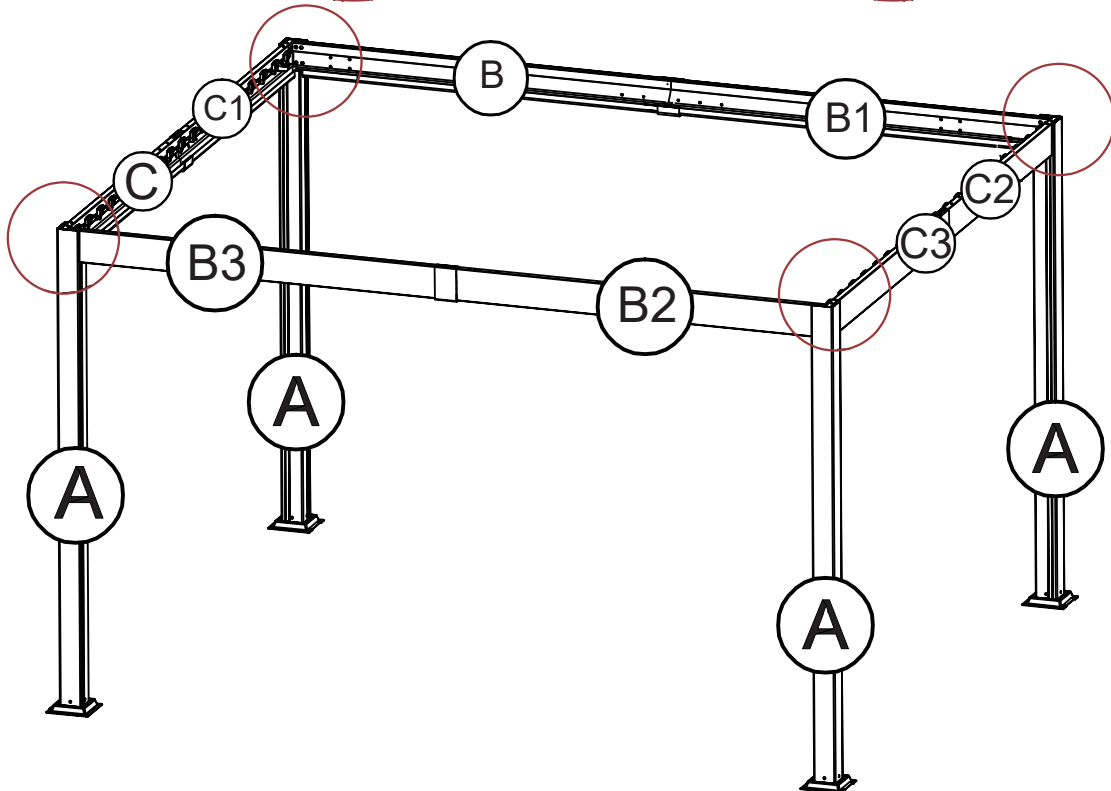
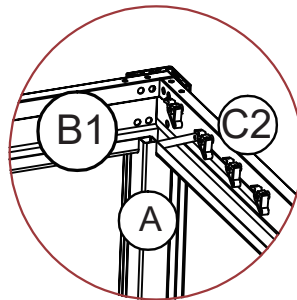
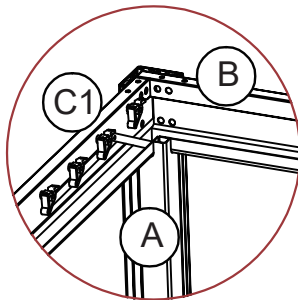
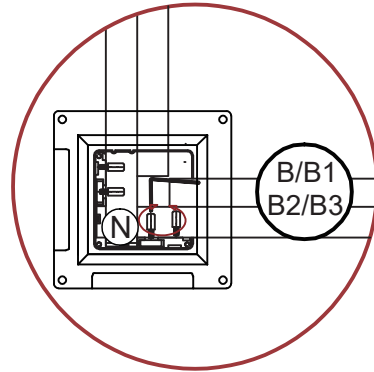
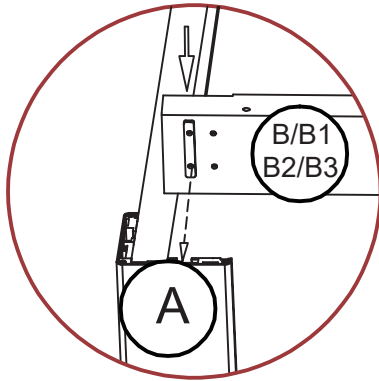


STEP 9

N:8PCS



Q:1PC



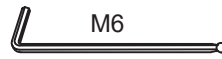
STEP 10



X1: 2PCS

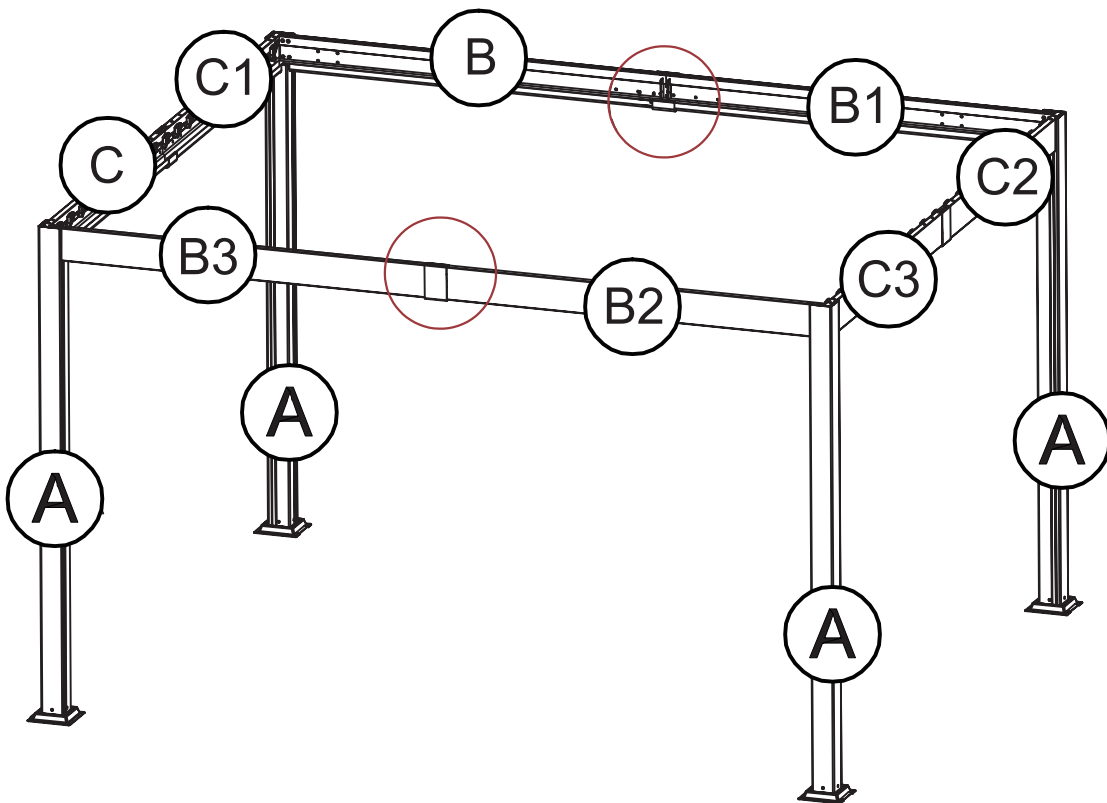
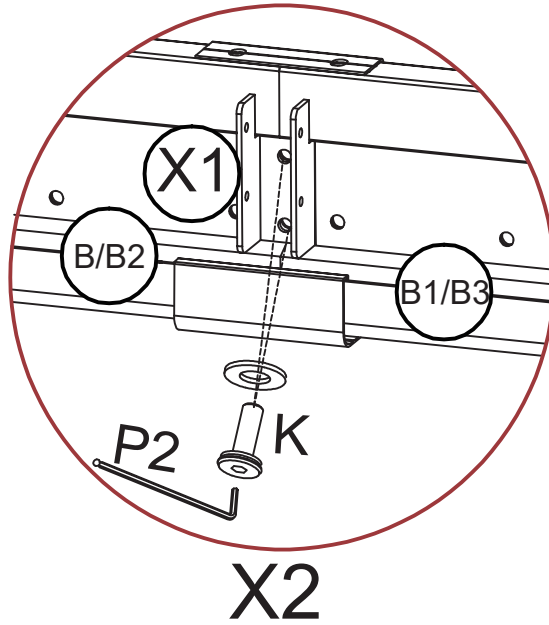


K: 4PCS



M6

P2: 1PC



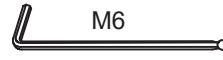
STEP 11



G: 4PCS



J: 12PCS



M6

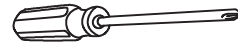
P2:1PC



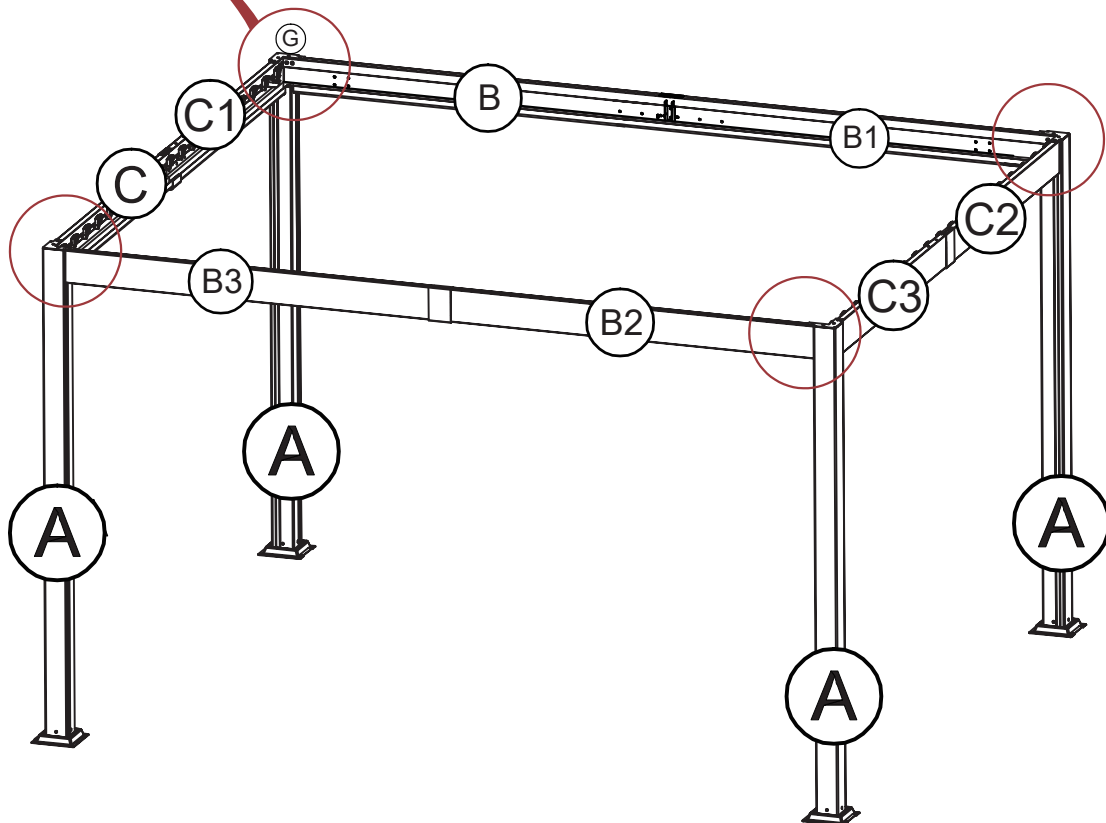
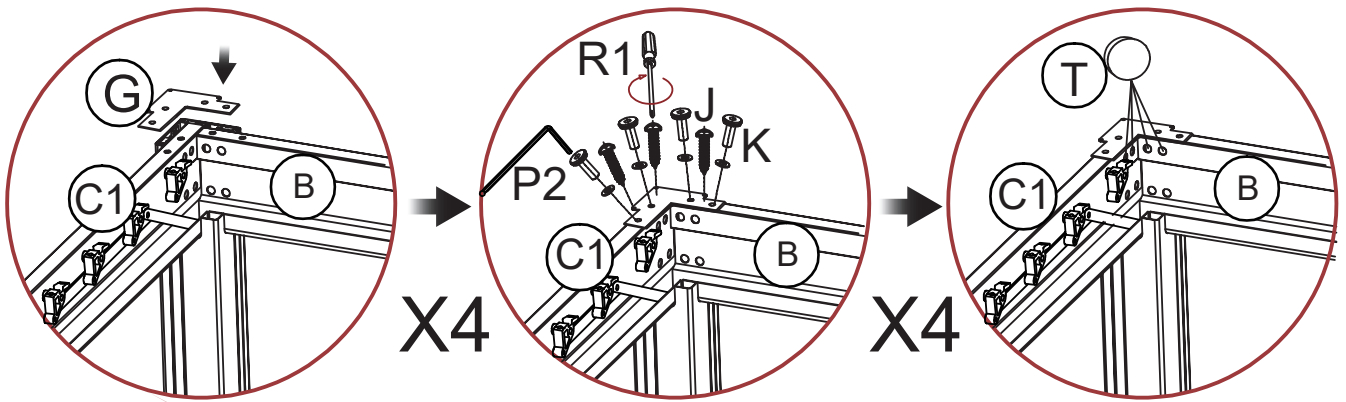
K: 16PCS



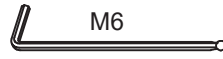
T: 16PCS



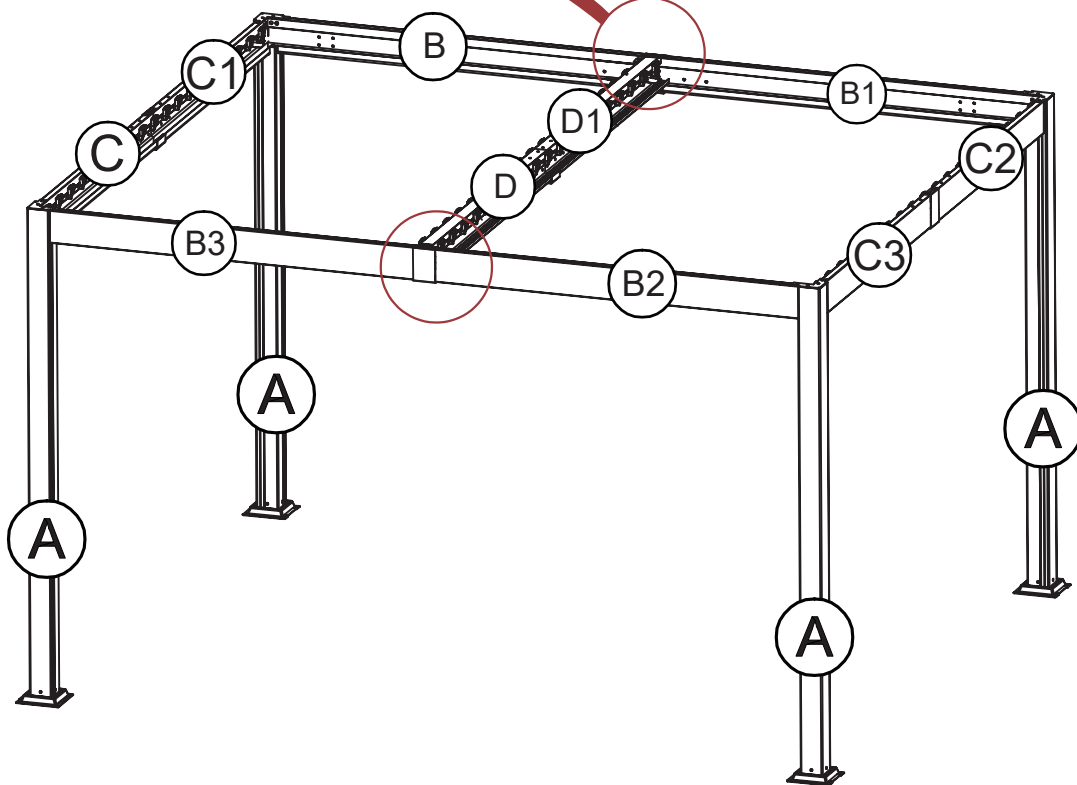
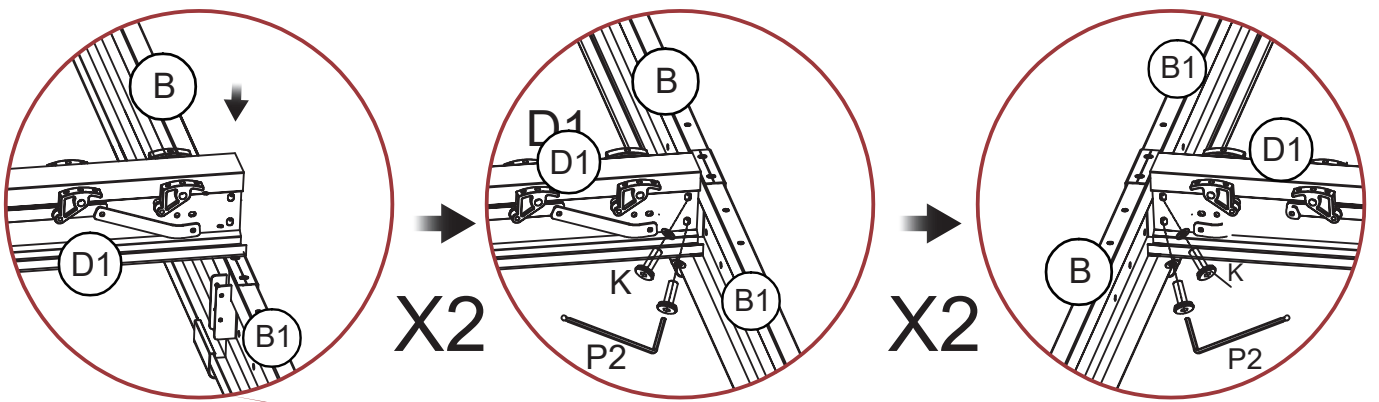
R1:1PC



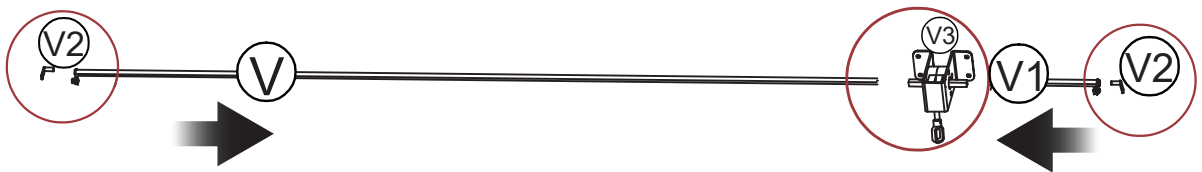
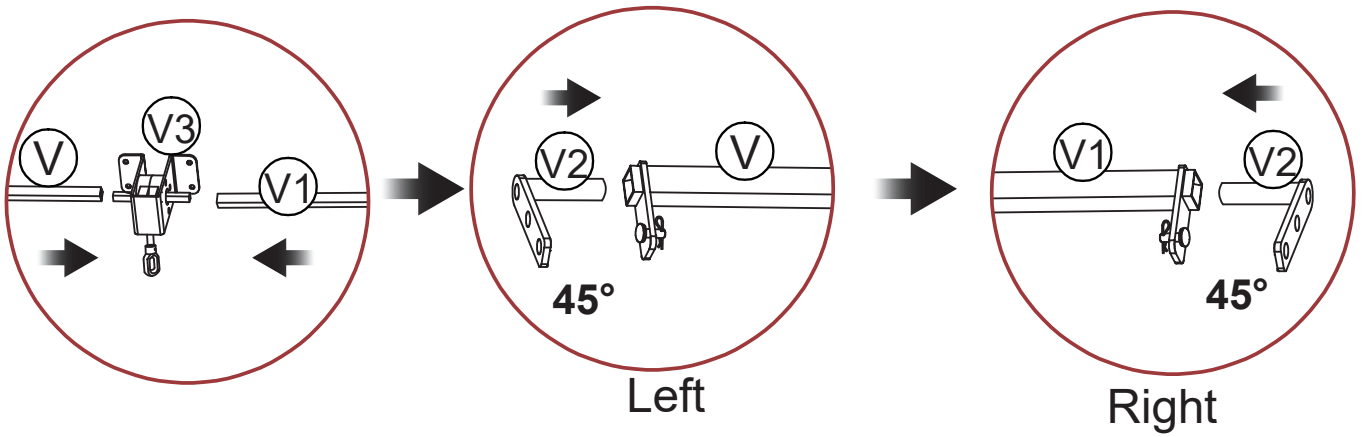
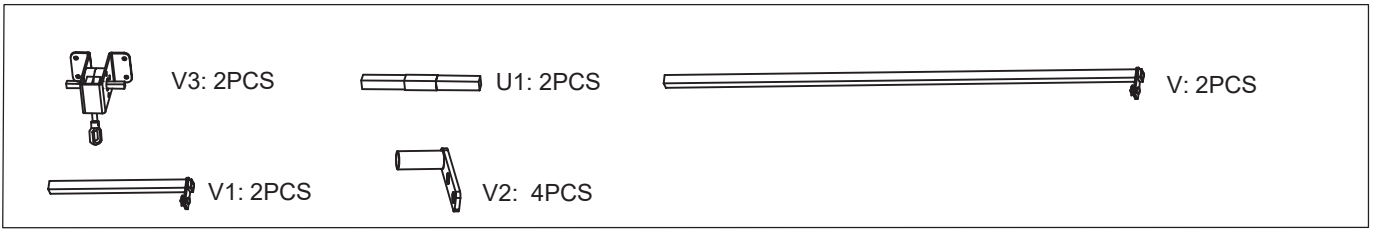
STEP 12



P2: 1PC



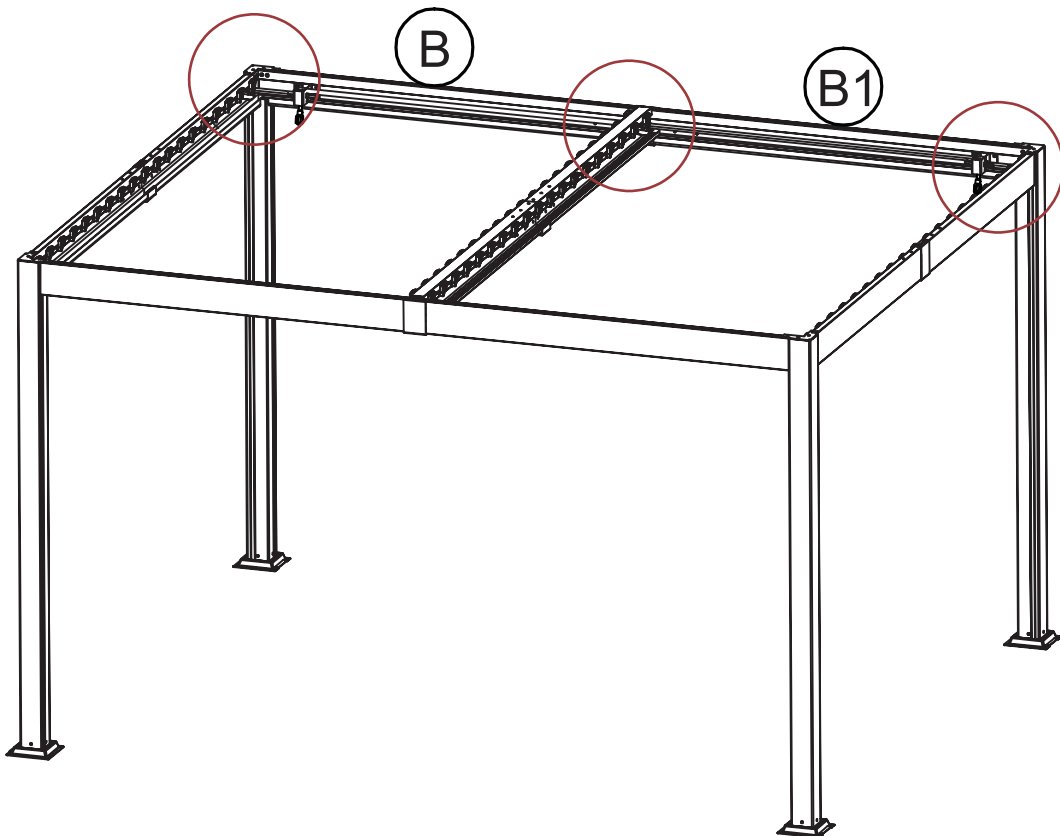
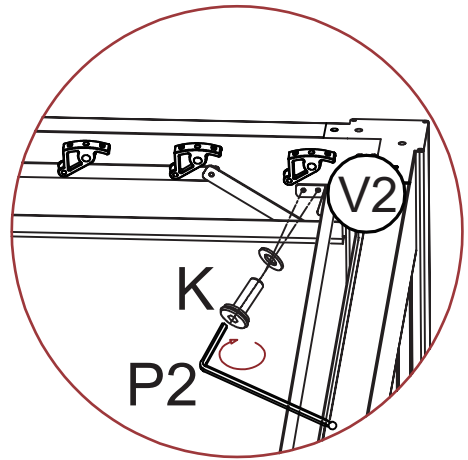
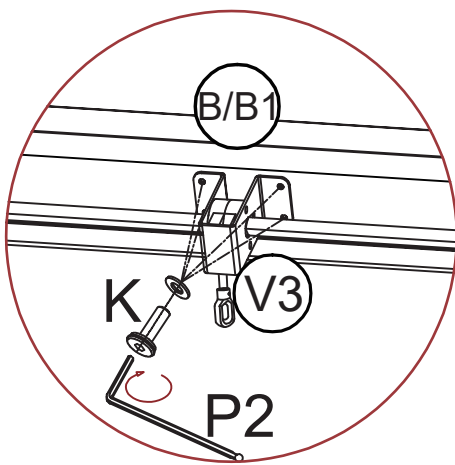
STEP 13



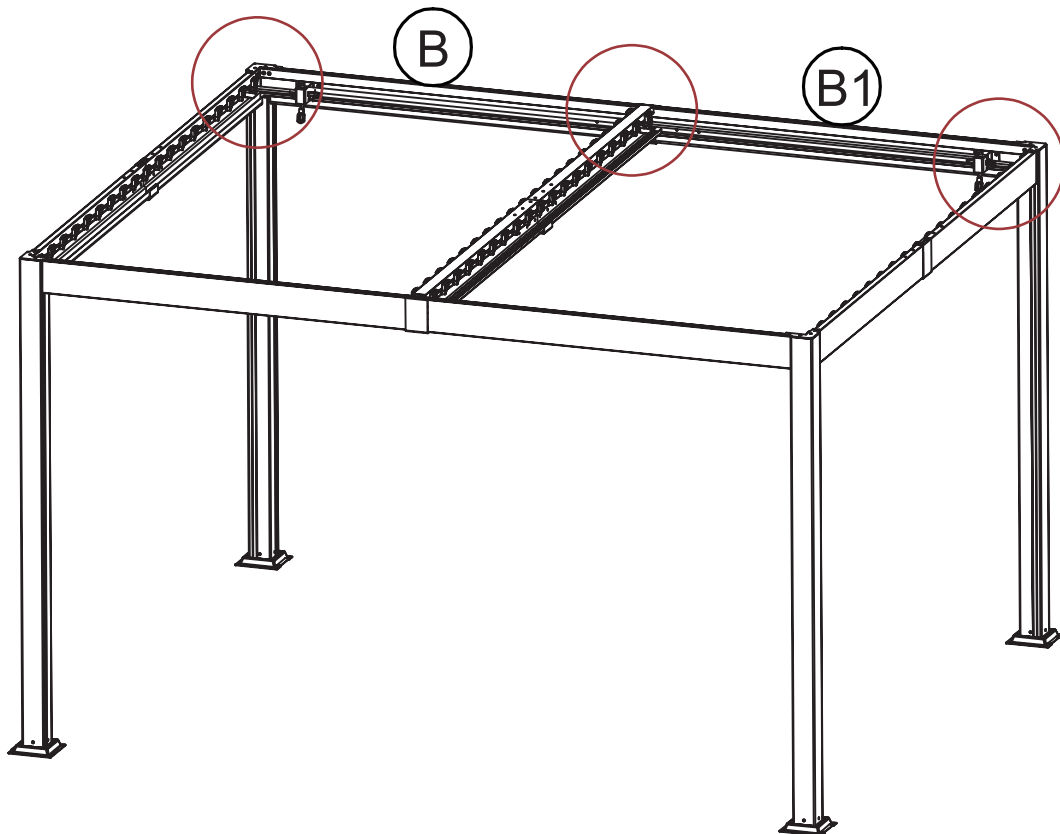
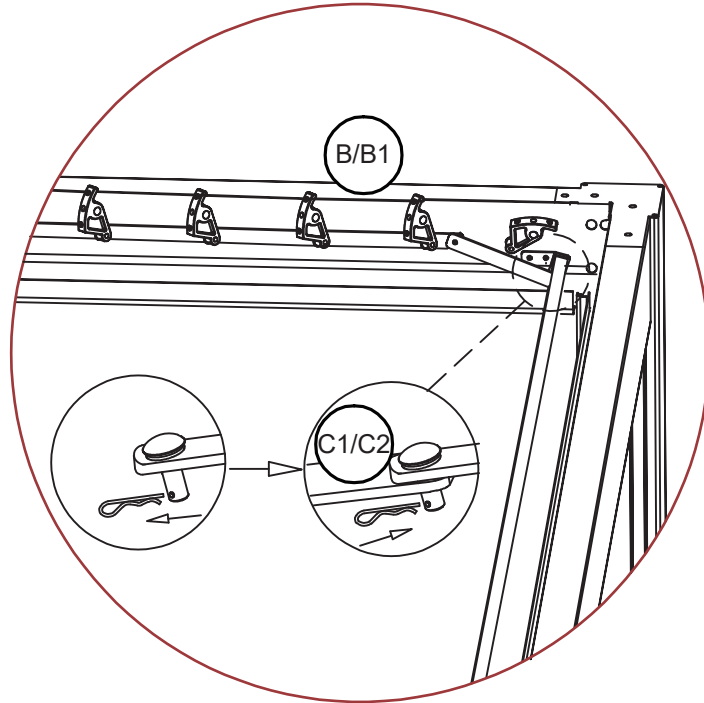
STEP 14



P2: 1PC

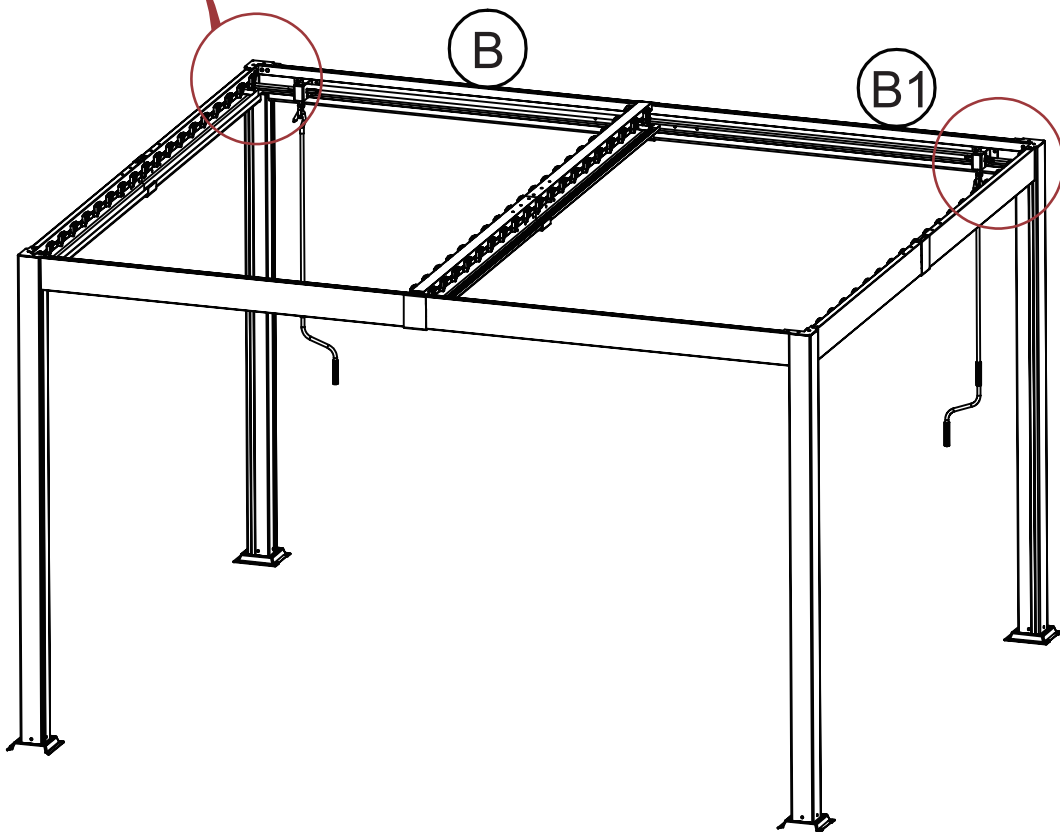
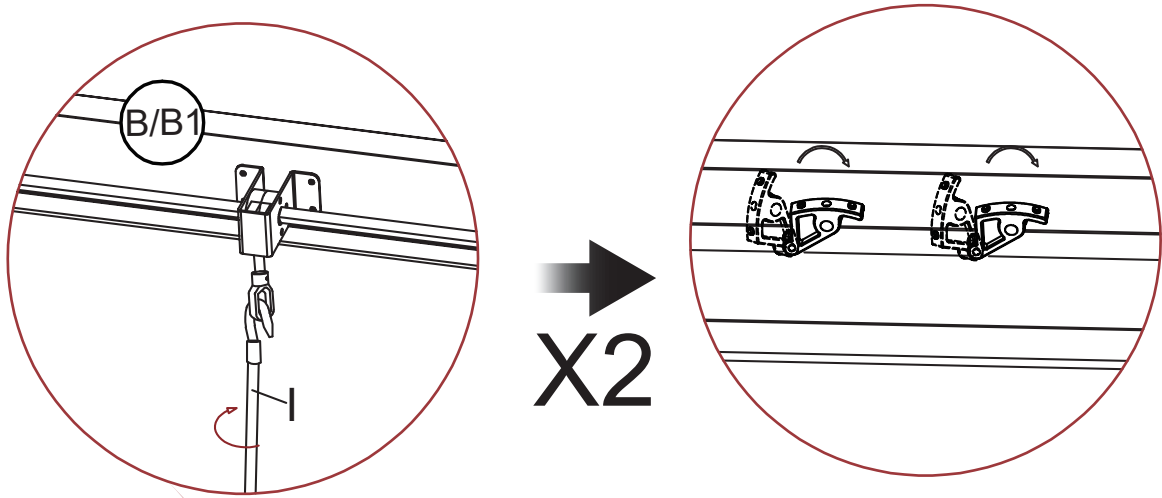


STEP 15



STEP 16

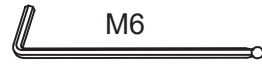
I: 2PCS



STEP 17



E: 38PCS



M6

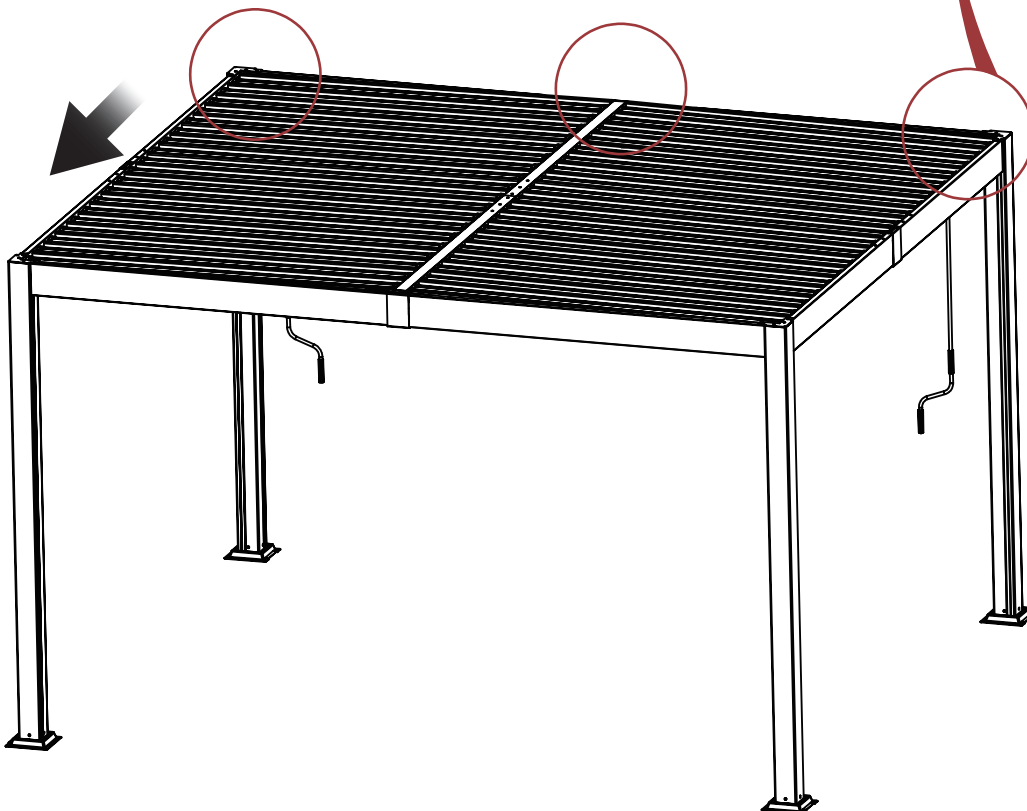
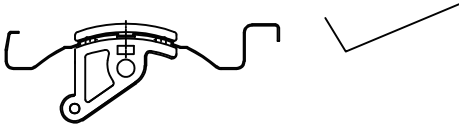
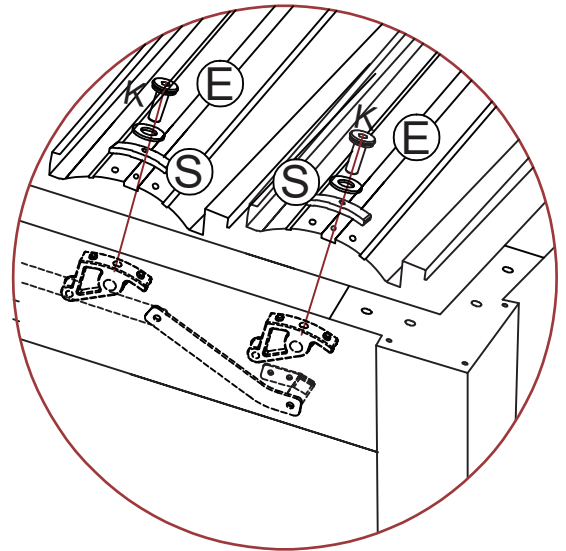
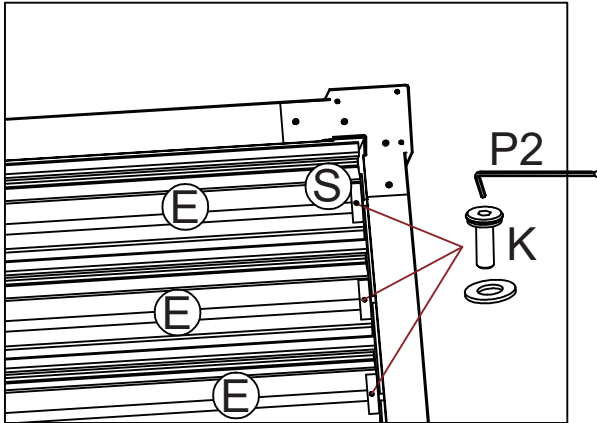
P2: 2PCS



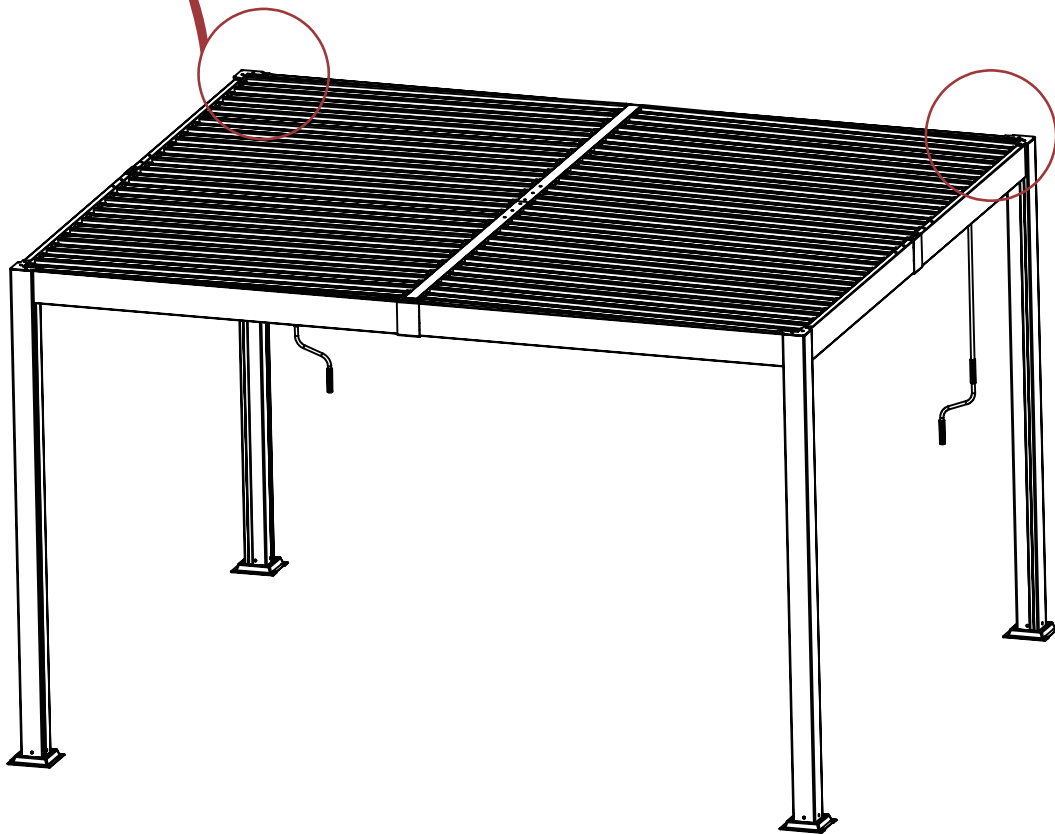
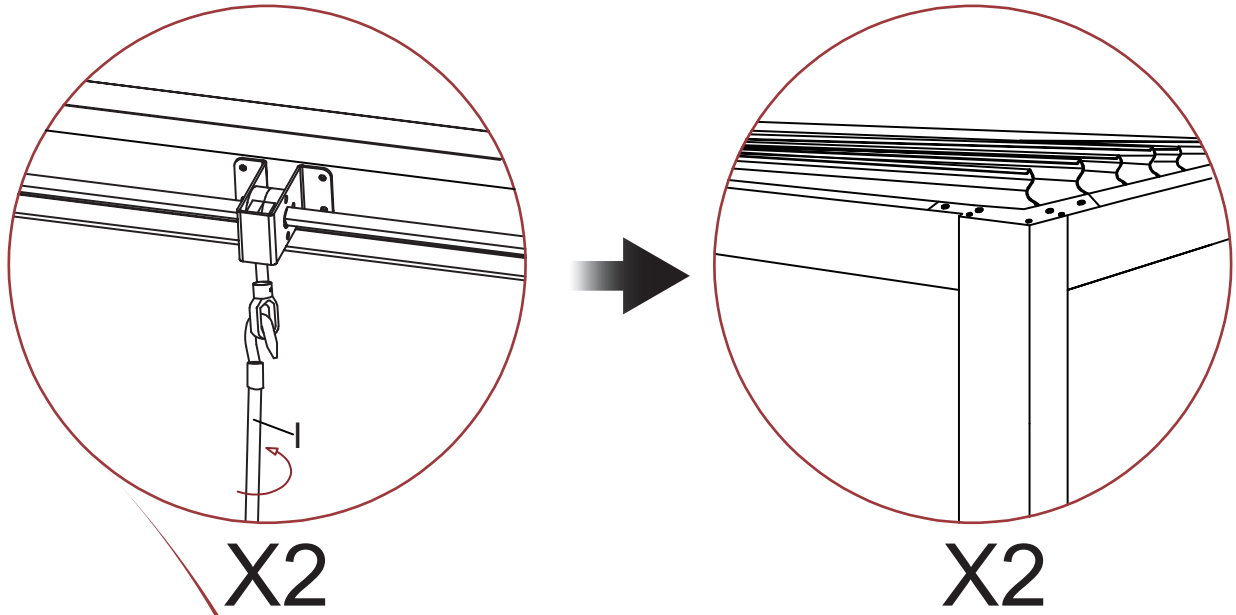
K: 76PCS



S: 76PCS

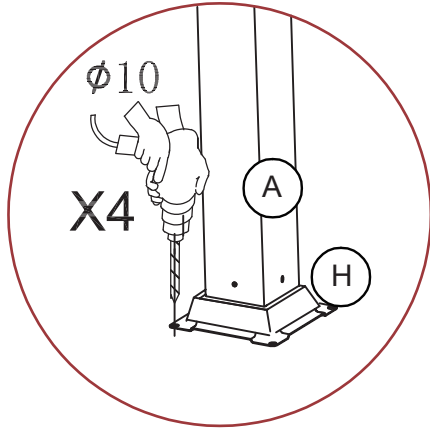


STEP 18

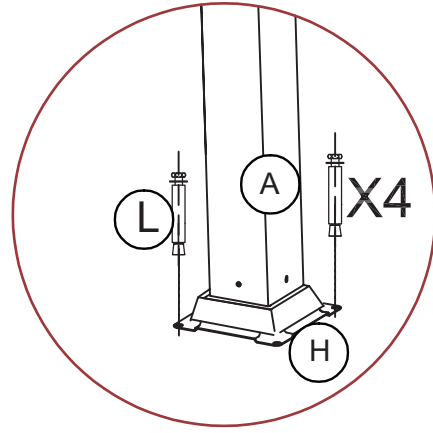


STEP 19

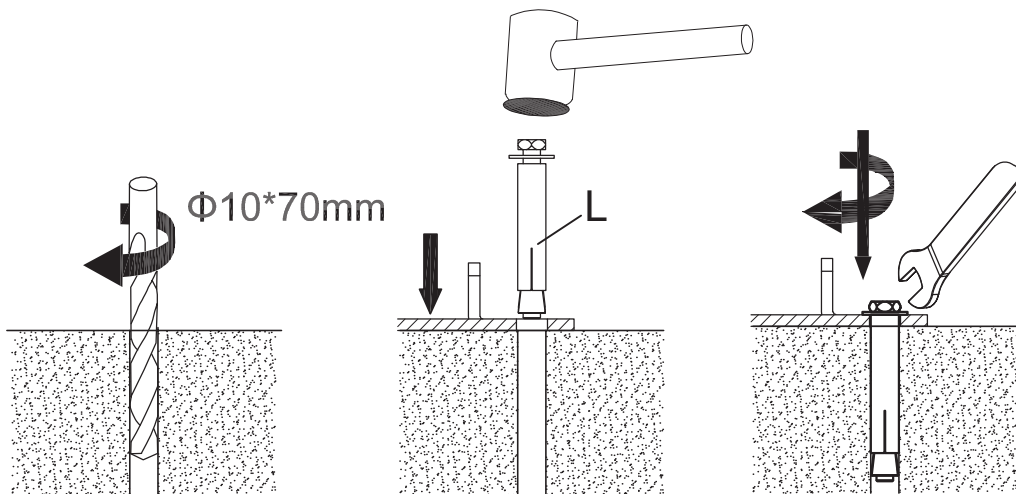
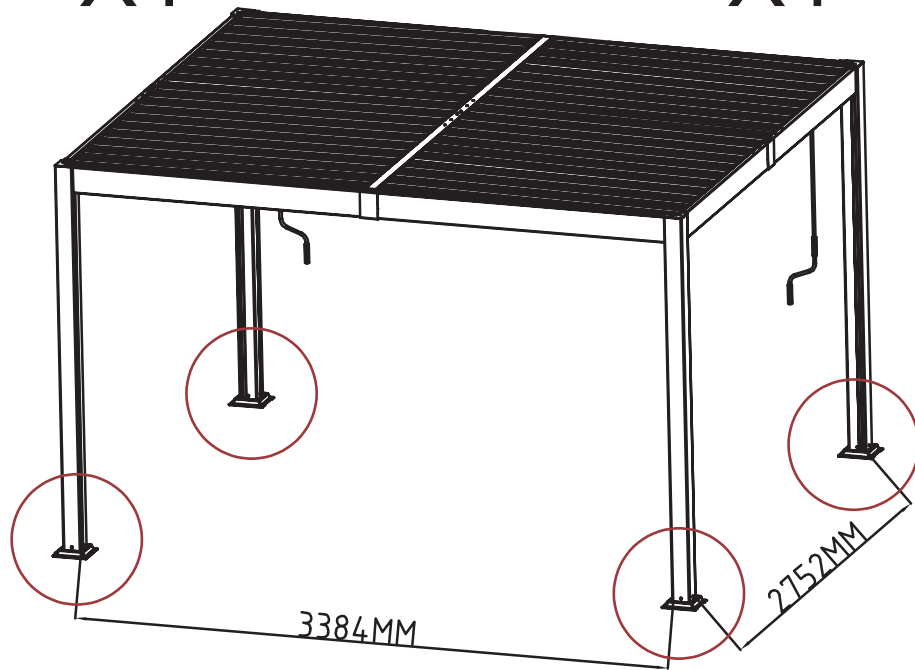
 L: 16PCS



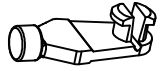
X4



X4



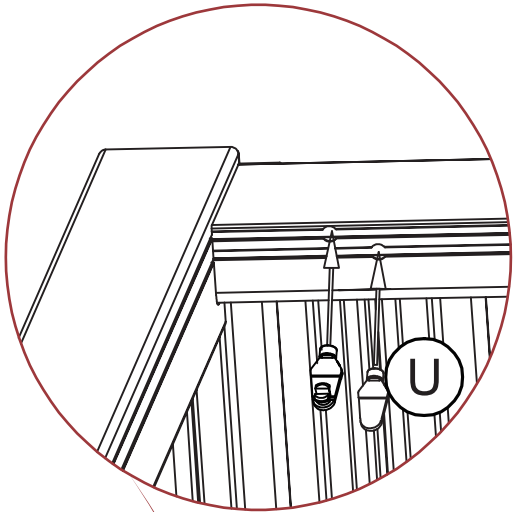
STEP 20



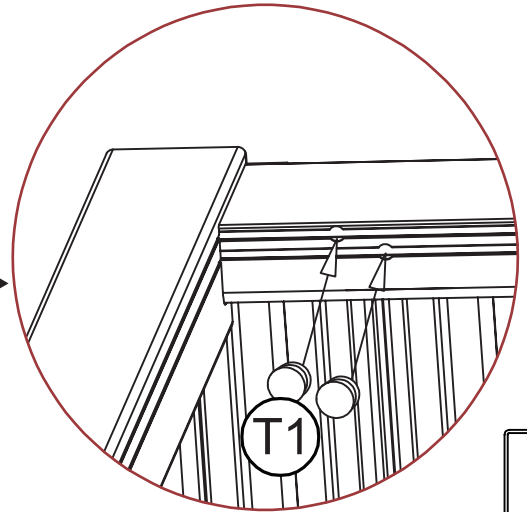
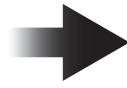
U: 88PCS



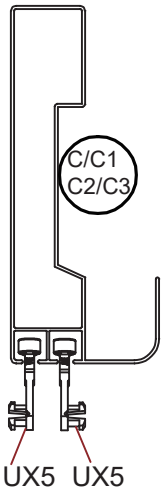
T1:16PCS



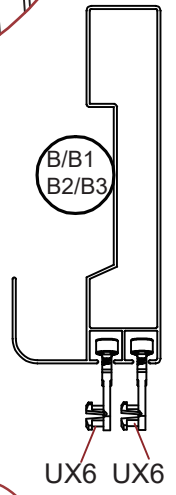
X4



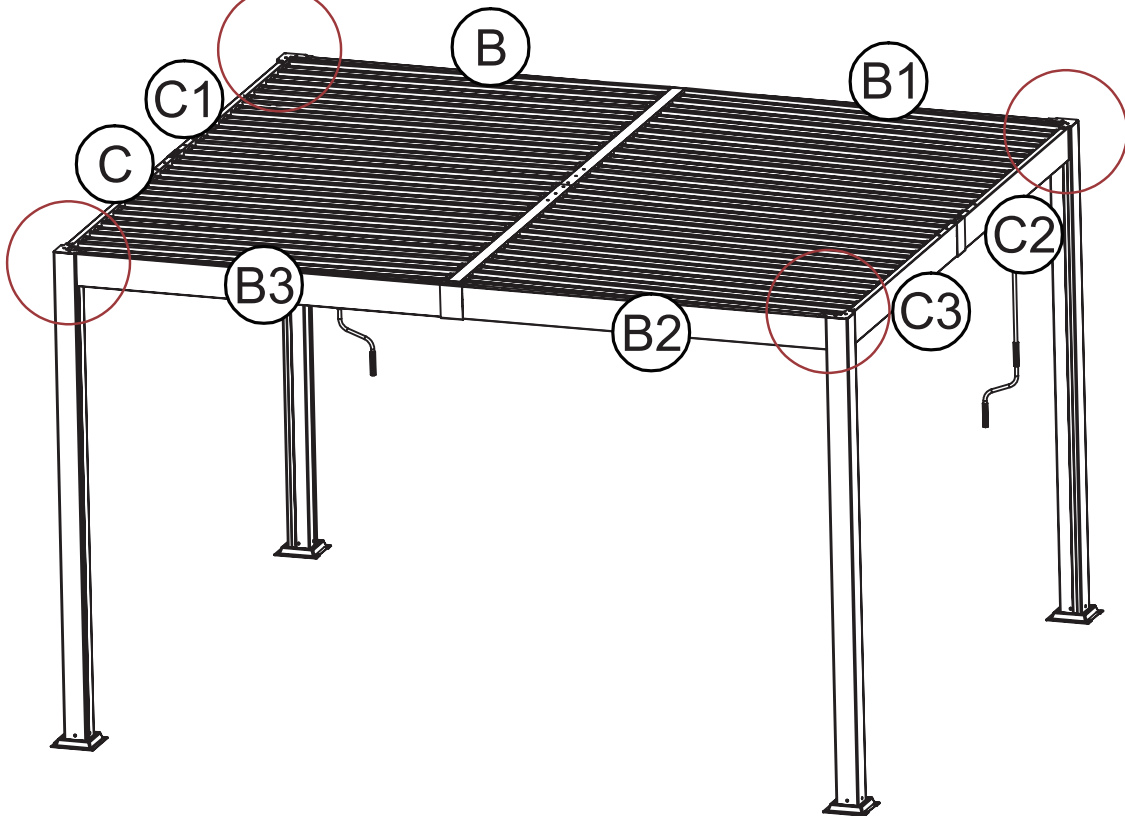
X4



UX5 UX5



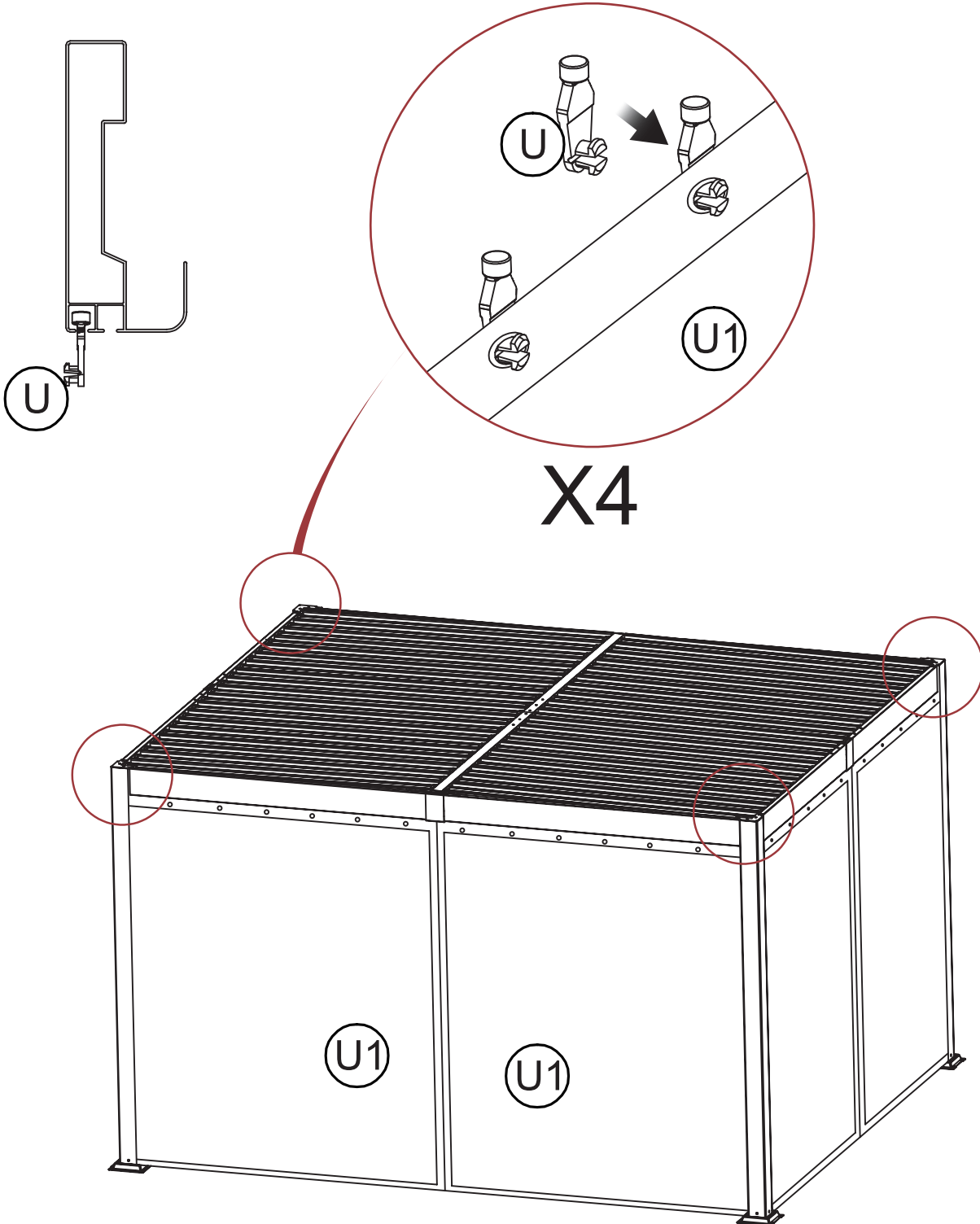
UX6 UX6



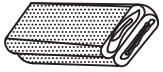
STEP 21



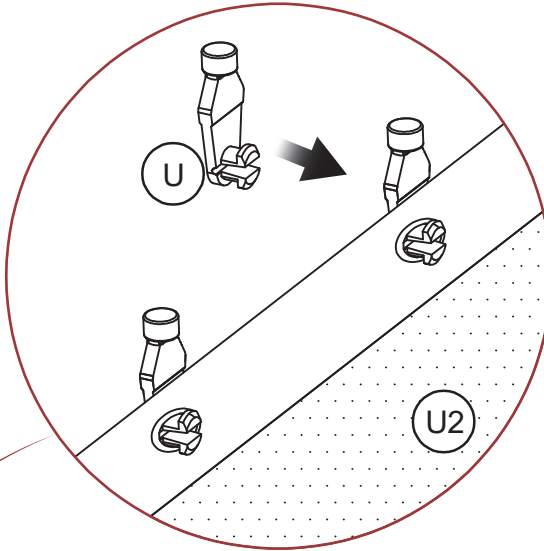
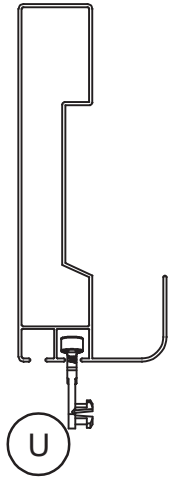
U1 x4



STEP 22



U2 (x4)



X4

