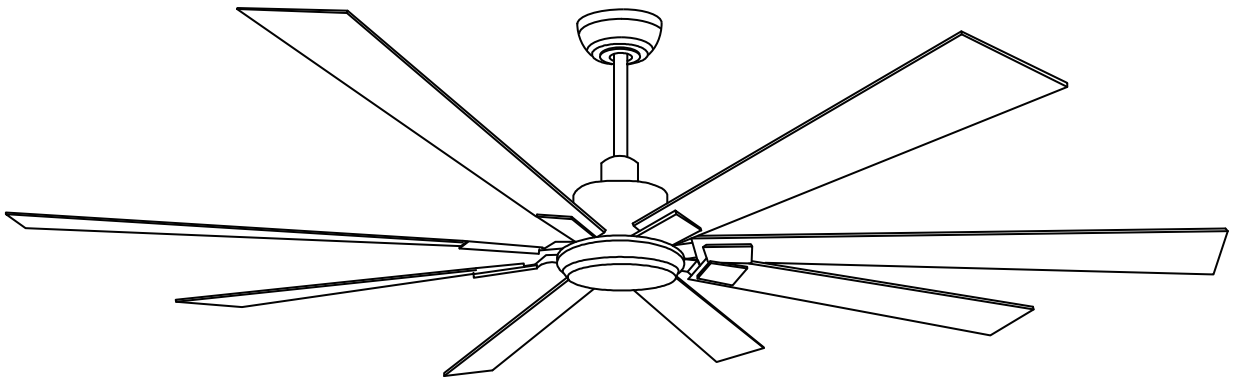


# User Manuals



# CEILING FAN

## WARM TIPS

1. Insert the downrod ball head into the groove of the mounting bracket.(Figure 1)

2. About Light Memory: (Figure 2)

\* Turn off light (wall switch or remote controller)

\* Turn on the light after 10s to remain last light setting.

P.S: If turn on within 10s, light CCT will change.

3. The lighting kit is replaceable.

**4. IMPORTANT: Using a full range dimmer switch to control fan speed will damage the fan or the fan will not work.**

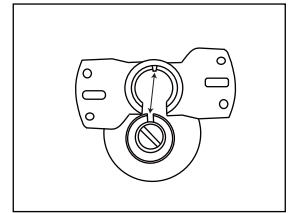


Figure 1

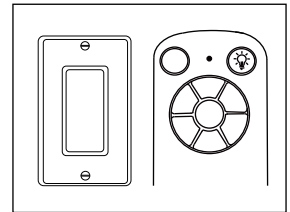


Figure 2



## ACCESSORIES

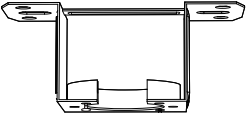
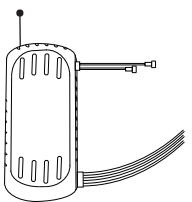

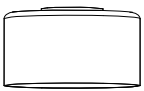
AA	BB	CC	DD	EE	FF	GG	HH	II
AA	Expansion screw							2
BB	Balance sticker							2
CC	Balance clamp							1
DD	Wire connector							3
EE	Host screw (pre-install)							16
FF	Self-tapping screw							4

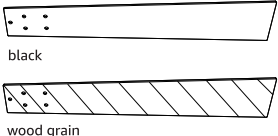
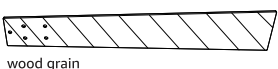
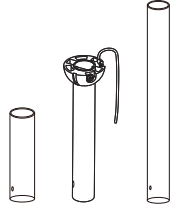
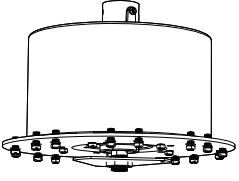
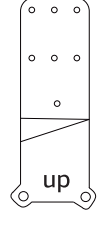

# CEILING FAN

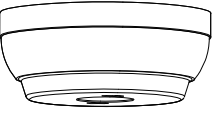
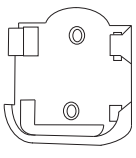

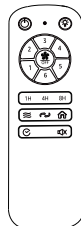
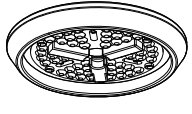
<b>GG</b>	J-box screw	<b>2</b>
<b>HH</b>	Washer	<b>2</b>
<b>II</b>	Blade screw, red washer	<b>41+41</b>

## PACKAGE CONTENTS

- In addition to the parts included in the accessory package, there are a total of 14 fan light accessories. Please check carefully whether any parts are missing from the package and make sure to confirm all parts inside the box. (Each 1 pack)

Mounting bracket	Receiver	Lampshade	Motor top cover
<b>A</b> 	<b>B</b> 	<b>C</b> 	<b>D</b> 
<b>1</b>	<b>1</b>	<b>1</b>	<b>1</b>

Fan blade	Downrod	Fan motor host	Blade arm	Magnetic deco cover
<b>E</b>  black  wood grain	<b>F</b> 	<b>G</b> 	<b>H</b>  up	<b>I</b> 
<b>8</b>	<b>3</b>	<b>1</b>	<b>8</b>	<b>1</b>

Canopy cover	Remote controlle bracket	Blade decorative part	Remote controller	Lamp body
<b>J</b> 	<b>K</b> 	<b>L</b> 	<b>M</b> 	<b>N</b> 
<b>1</b>	<b>1</b>	<b>8</b>	<b>1</b>	<b>1</b>

# CEILING FAN

---

## IMPORTANT WARNING

- To reduce the risk of electric shock, turn off all power sources.
- All wiring must comply with the National Electrical Code and local electrical codes. Electrical installation should be performed by a qualified licensed electrician.
- **WARNING:** To reduce the risk of personal injury, use only the two steel screws (and lock washers) provided with the outlet box for installation. Most outlet boxes are typically used to support lighting devices instead of fans and may need to be replaced. If in doubt, please consult a qualified electrician.



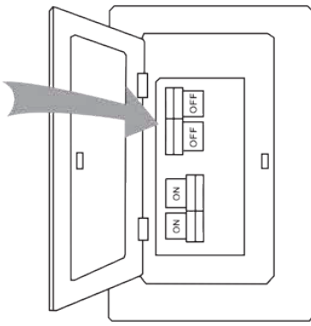
## **WARNING**

TO REDUCE THE RISK OF FIRE  
ELECTRIC SHOCK OR PERSONAL INJURY  
MOUNT FAN TO OUTLET BOX MARKED  
ACCEPTABLE FOR FAN SUPPORT

- Do not turn the fan blades until the fan installation is completed.
- To avoid personal injury or damage to the fan and other items, maintain and clean the fan with care.
- Do not use water or detergents to clean the fan or fan blades. A dry rag or slightly damp cloth is suitable for cleaning.
- Electrical diagrams are for reference only. Please refer to the instructions used with the packaging for properly assembled lighting kits.

# CEILING FAN

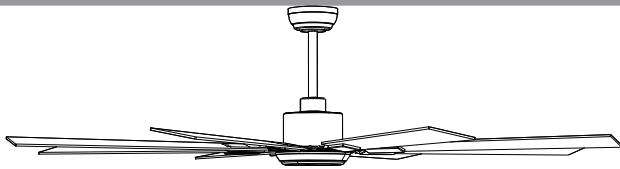
## SAFETY RULES



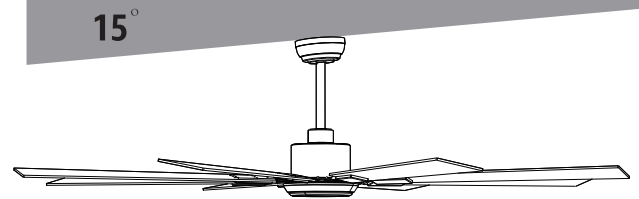
Turn off the main circuit power switch and wall fan switch.



Failure to disconnect the power supply prior to installation may result in serious injury or death.



Horizontal ceiling installation



Slope ceiling installation

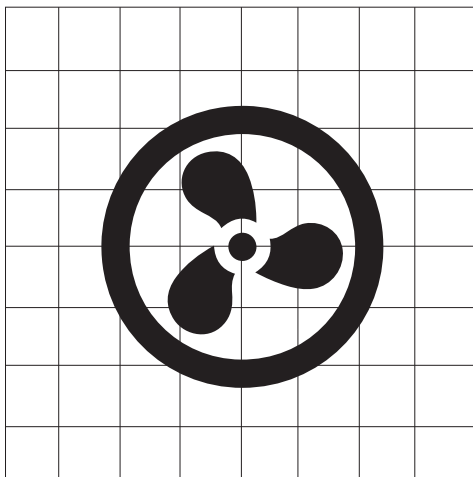
Proper installation: The ceiling fan must be mounted vertically on a sturdy ceiling, and the fan must be installed in a manner capable of supporting a weight greater than 66 lbs. If the fan is mounted on a slanted ceiling, the hanger's opening should be tilted upward, and the slot should be inserted into the ear.



Safety Tips: Slope ceiling installation is only applicable to slope ceiling installation below 15° horizontally.

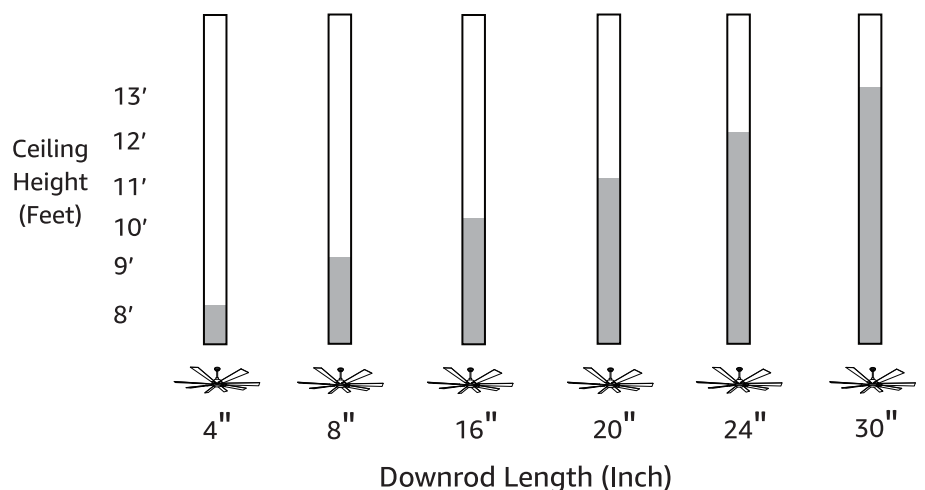
## INSTALLATION RECOMMENDED

■ Recommended Room Size:

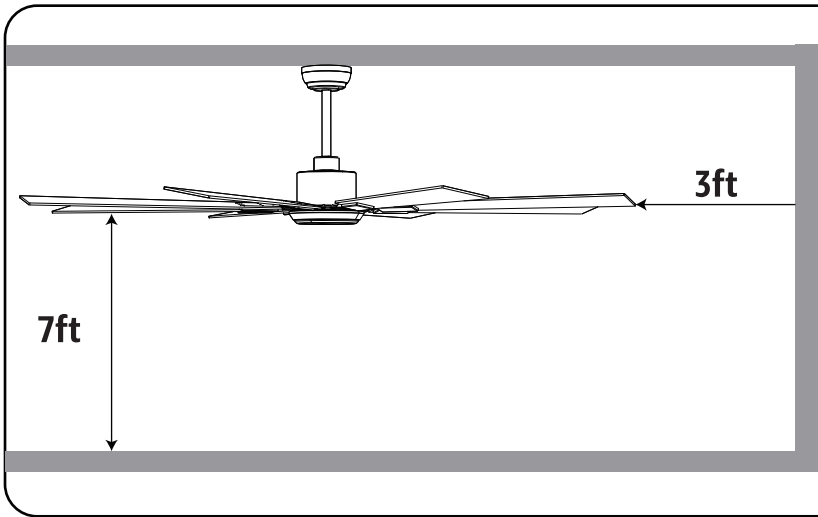


COVER RANGE UP TO 20FT X 20FT

■ Recommended installation height and downrod length:



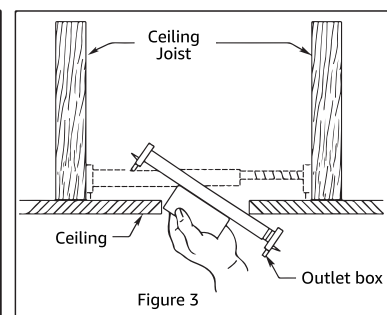
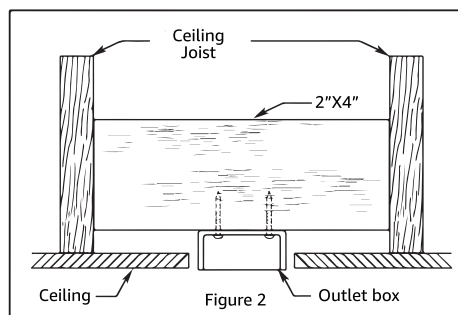
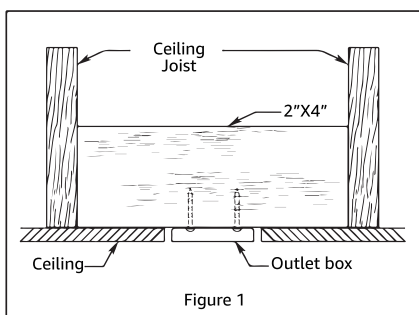
# CEILING FAN



Ensure the blades will be at least 3' from any obstruction. Also check the downrod length to ensure the blades will be at least 7' above the floor.

## ELECTRICAL AND STRUCTURAL REQUIREMENTS

- Your new ceiling fan will require a grounded electrical supply line of AC110~130V/60Hz15 Amp Circuit. Electrical code requires use of a fan-rated outlet box to support the extra weight and motion associated with a ceiling fan. A fan-rated box will be labeled as such and typically supports up to a 70lbs ceiling fan. Fan-Rated Outlet Boxes vary in rating and design. Ensure the ratings of your ceiling fan outlet box meet the requirements for the ceiling fan being installed. Figure 1, Figure 2 and Figure 3 depicts different structural configurations that may be used for mounting the outlet box.
- Low-profile use (Figure 1):  
A 1/2-deep pancake box is meant to be screwed to a joist or block. It is used if only one cable is coming into the box. It is also available in a saddle-mount configuration.
- Deep-profile use (Figure 2)  
A 2-1/4" deep box can be attached to blocking between joists and is roomy enough to handle more than one cable.
- Brace use (Figure 3)  
Paired with a deep box, this hanger is meant to span between two joists and takes the place of wooden blocking.



# CEILING FAN

- If your fan is to replace an existing light fixture, turn power off at the main fuse box and remove the existing light fixture.

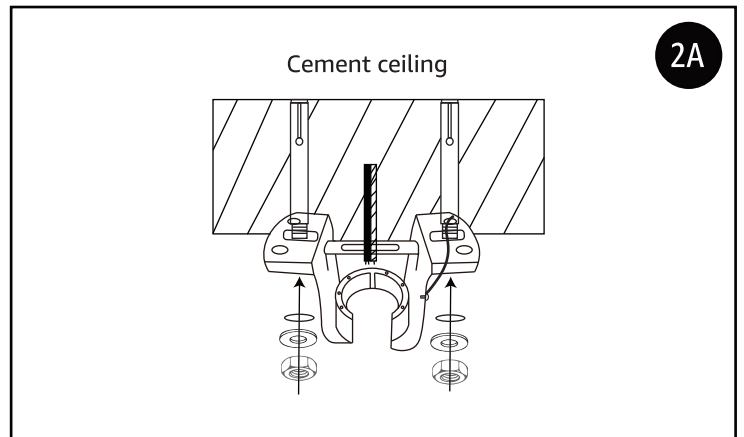
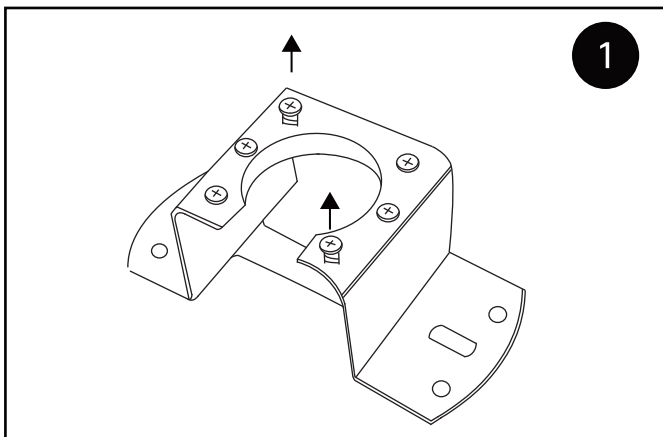
## ⚠ WARNING

Turning off wall switch is not sufficient, to avoid possible electrical shock be sure electricity is turned off at the main fuse box before wiring. All wiring must be in accordance with National and Local codes and the ceiling fan must be properly grounded as a precaution against possible electrical shock.

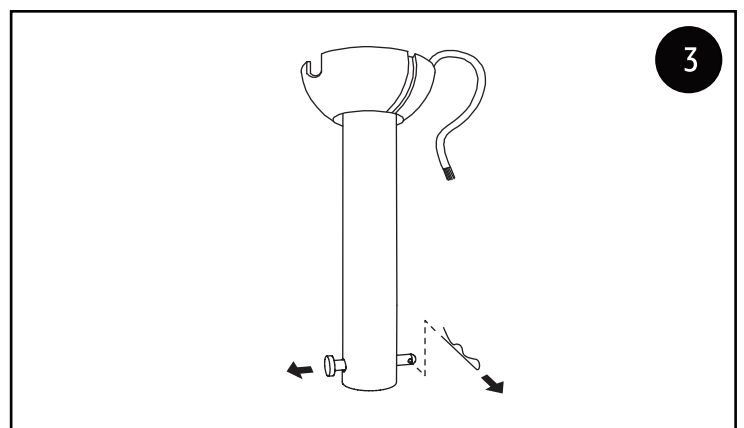
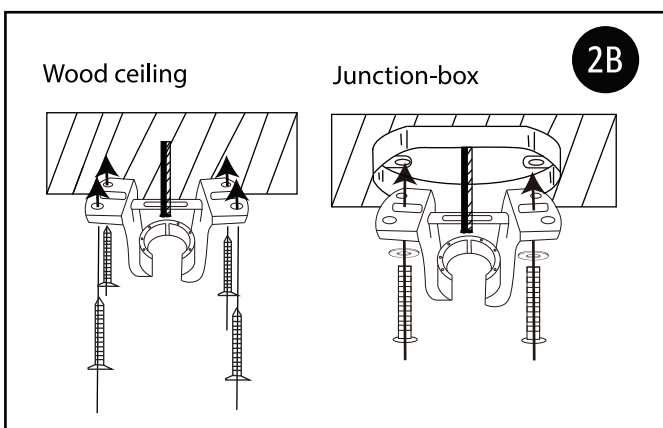
## ⚠ WARNING

Do not operate this fan with a variable (Rheostat) wall controller or dimmer switch. Doing so could result in damage to the ceiling fan's remote control unit.

## INITIAL INSTALLATION

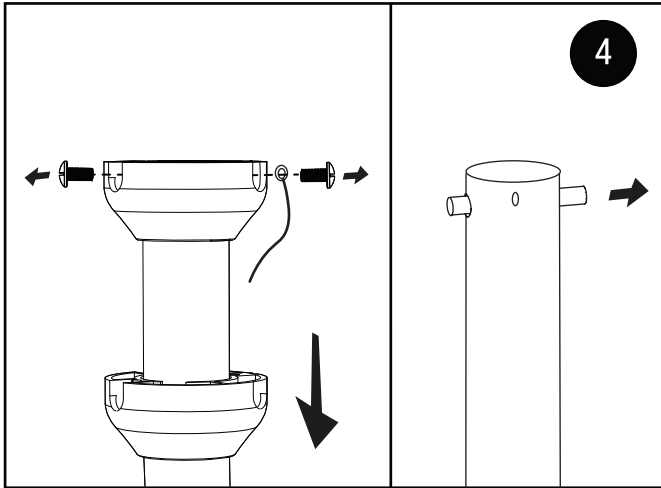


- 1 Unscrew the two diagonal screws on the mounting bracket 2~3 circles, and ensure that they remain securely fixed to the bracket.
- 2A Mount the bracket onto the ceiling and secure it using appropriate accessory screws based on the type of ceiling material.  
**Cement ceiling:** Drill a hole on the cement ceiling, then use expansion screws to fix it.

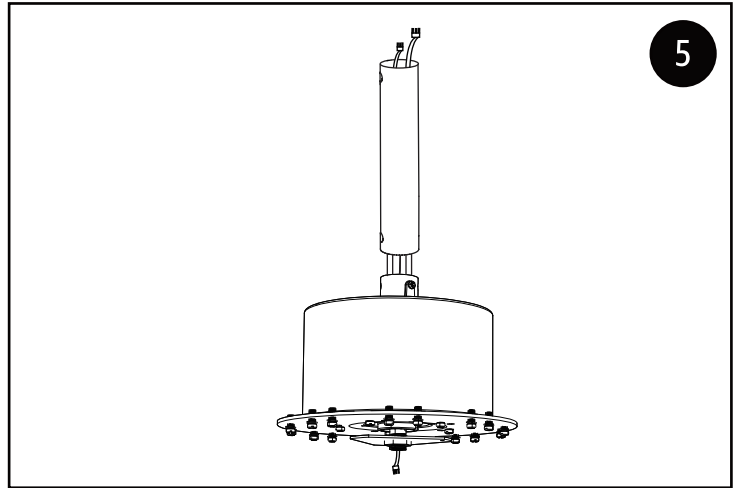


- 2B **Wood ceiling:** Use self-tapping screws to drive into the wooden ceiling.  
**Junction box:** Use j-box screw and washer to fix the bracket to the ceiling.
- 3 Take out the downrod pin of the downrod assembly.

# CEILING FAN

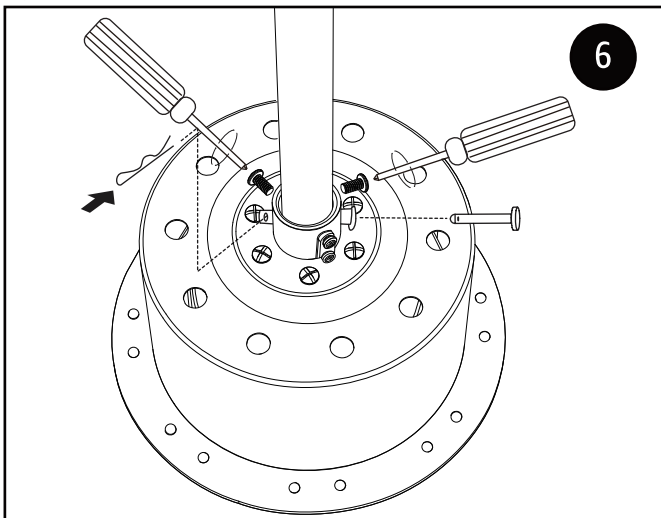


4

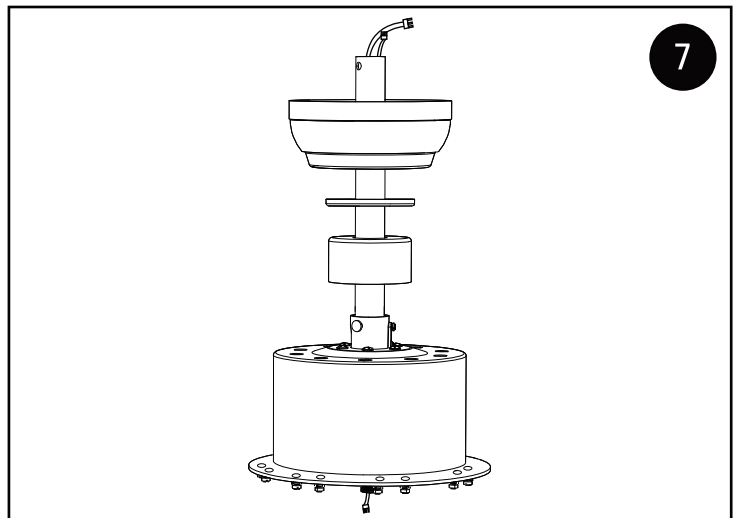


5

- 4 Remove the two screws from the ball head and pull out the horizontal pin.
- 5 Thread the wires of the fan motor host through the downrod.

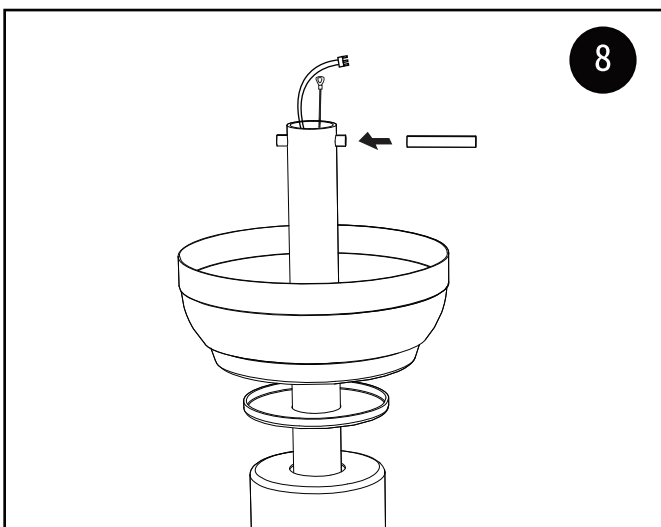


6

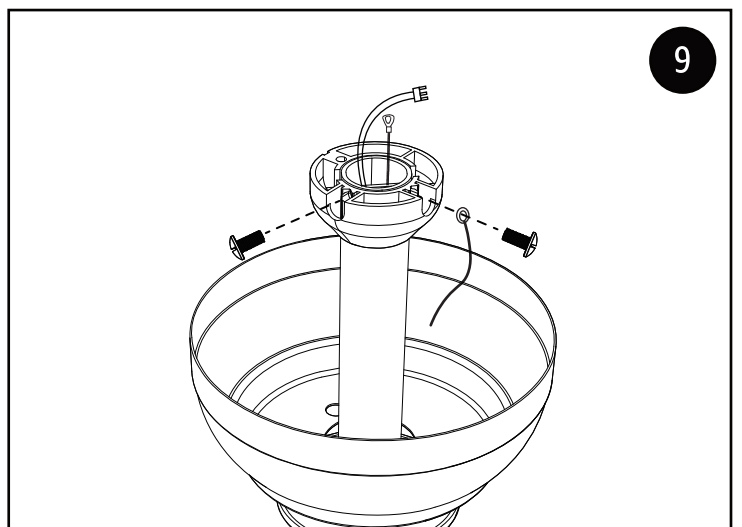


7

- 6 Insert the downrod pin, lock it with the downrod clip, and then tighten the two screws on the yoke.
- 7 Mount the canopy cover, magnetic deco cover and coupling cover onto the downrod.



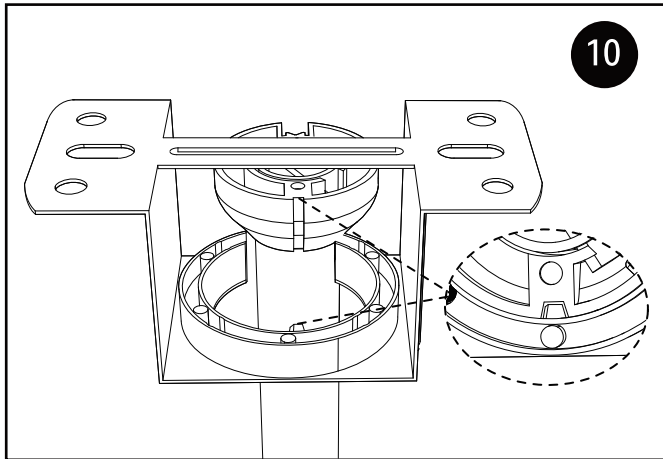
8



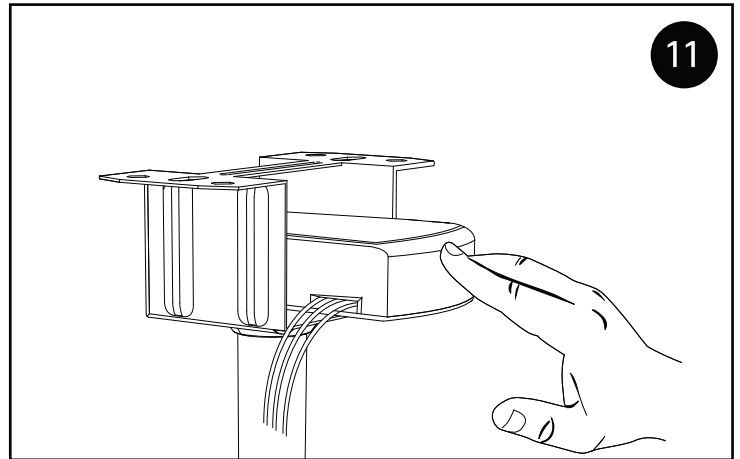
9

- 8 Insert the horizontal pin.
- 9 Install the ball head onto the downrod and tighten the two screws on the ball head.

# CEILING FAN



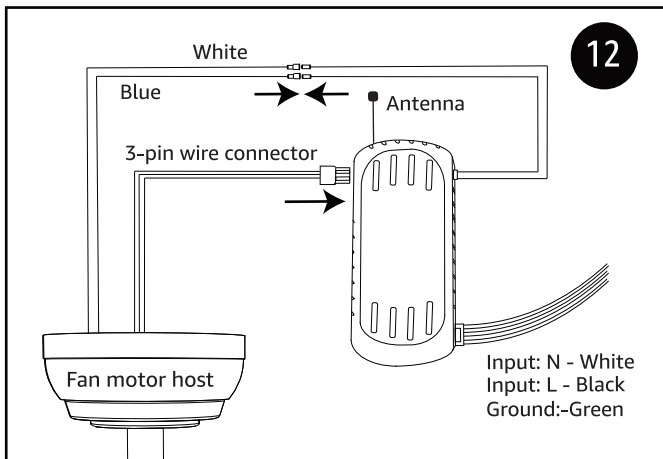
10



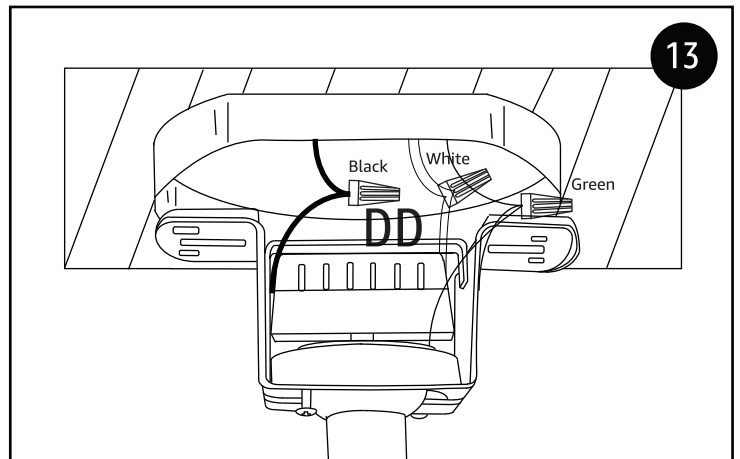
11

10 Hang the downrod onto the bracket, ensuring that the two slots align.

11 Place the receiver on the bracket.



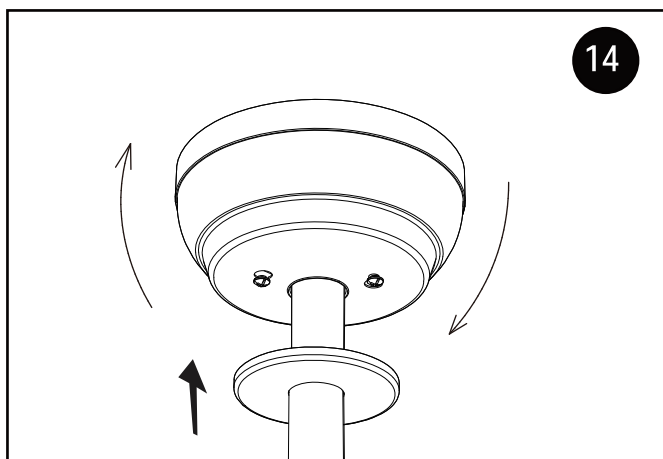
12



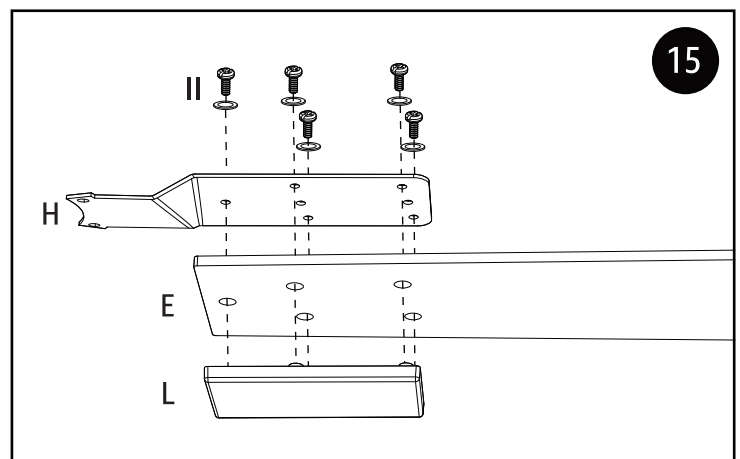
13

12 Connect the wires between the receiver and the fan motor host: white to white wires, blue to blue wires, and connect the 3-pin wire connector.

13 Wiring:  
Connect the "Neutral wire" (white wire) from ceiling to the white wire.  
Connect the "Live wire" (black wire) from ceiling to the black wire.  
Connect the "Ground wire" (green or yellow/green or bare) from ceiling to the green wire.



14

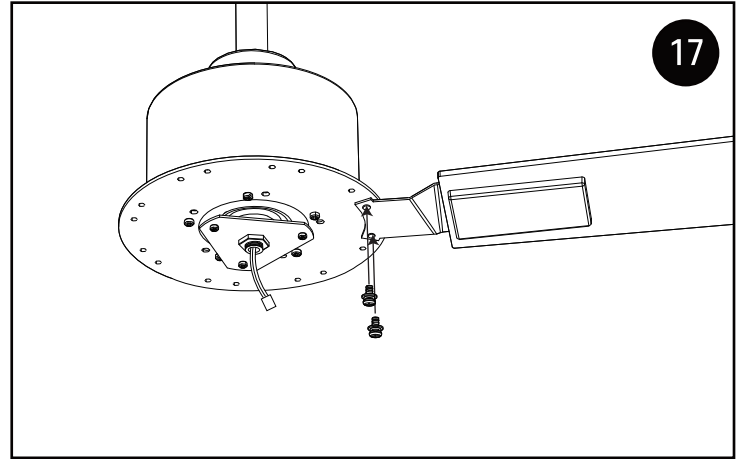
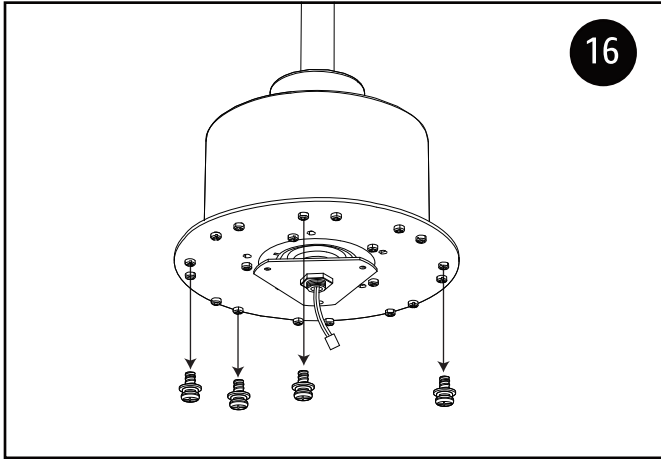


15

14 Push the canopy cover upward, align it with the two screws from step one, rotate and tighten the screws to secure canopy cover.

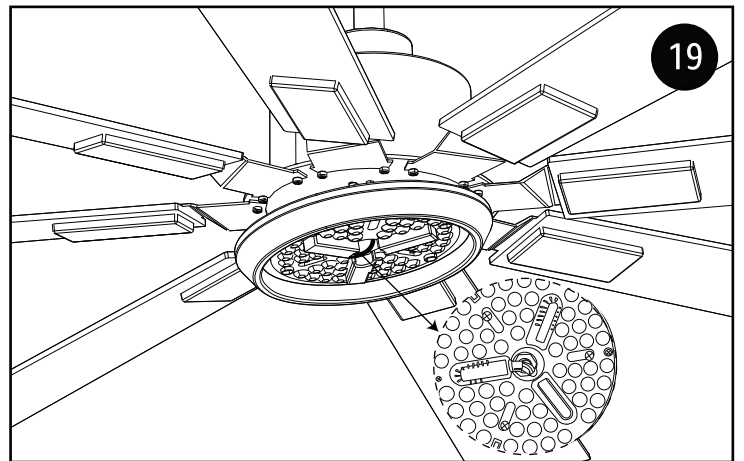
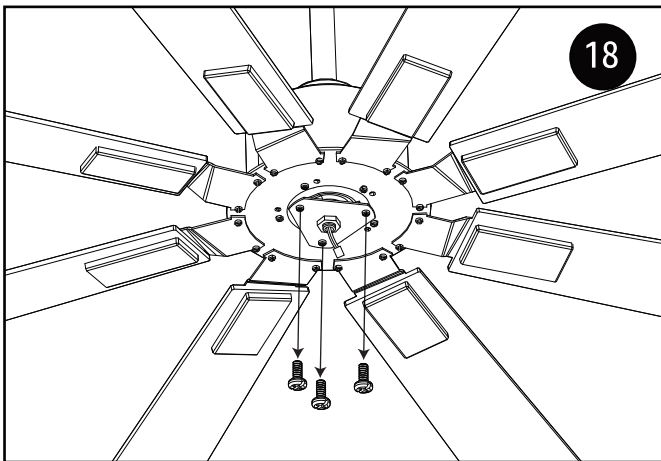
15 Attach the blade decorative part to the fan blade, then secure the blade arms (with 'UP' side facing up) using 5 screws and washers

# CEILING FAN



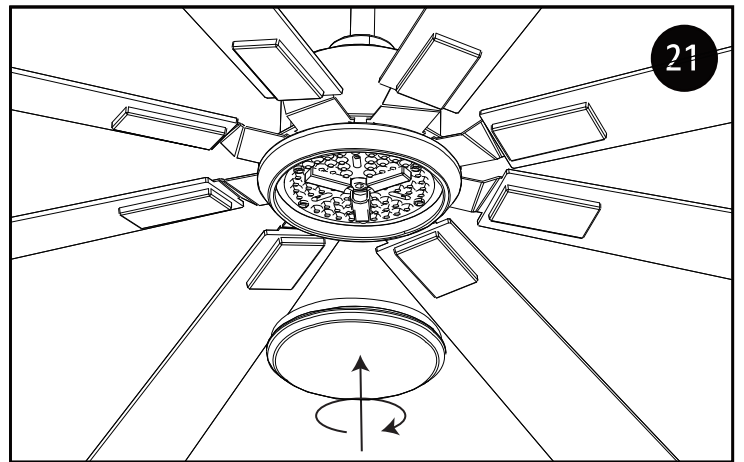
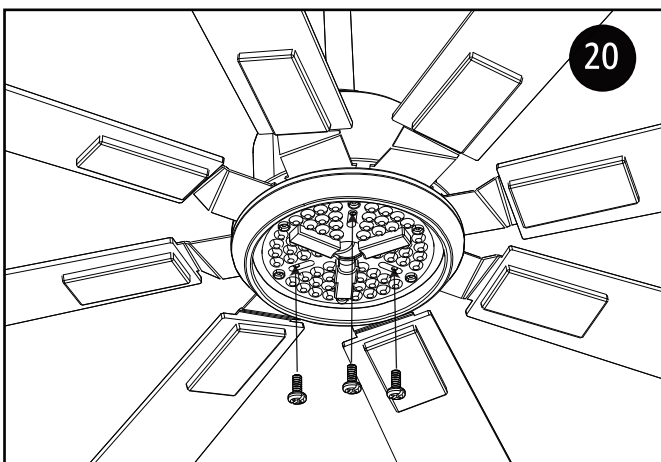
16 Unscrew the 16 fan blade screws pre-installed on the fan motor host.

17 Secure the blade arms assembled to the fan motor host.



18 Remove the three screws from the pre-installed triangular plate on the fan motor housing.

19 Connect the wire terminal of the LED.



20 Move the lamp body upward and secure it with the screws removed from the triangle plate.(previous step)

21 Locate the locking point and screw the lampshade upward into place.

# CEILING FAN

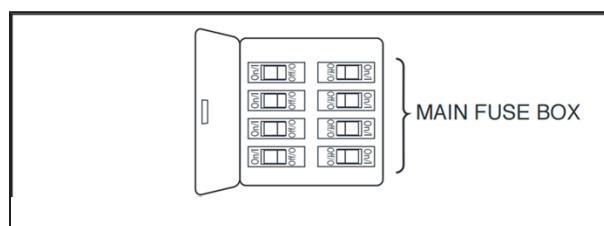
## HOW TO OPERATE YOUR CEILING FAN

- **IMPORTANT:** Using a full range dimmer switch(not included) to control fan speed will damage the fan. To reduce the risk of fire or electrical shock, do not use a full range dimmer switch to control the fan speed(Figure 1).



(Figure 1)

- Restore electrical power to the outlet box by turning the electricity on at the main fuse box.(Figure 2).



(Figure 2)


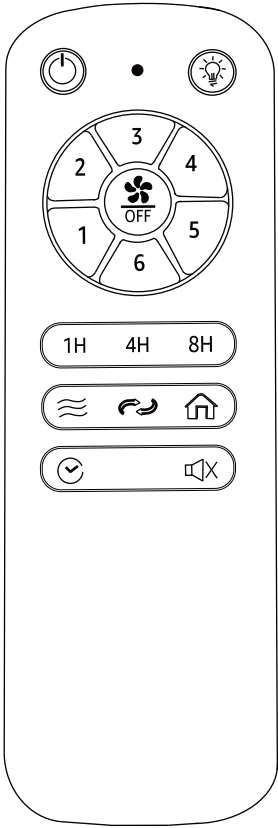



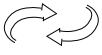


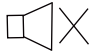
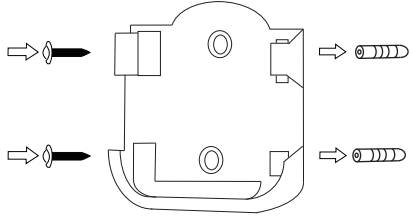
### **⚠ WARNING**

Check to see that all connections are tight, including ground, and that no bare wire is visible at the wire connectors, except for the ground wire.

Do not operate this fan with a variable(Rheostat) wall controller or dimmer switch. Doing so could result in damage to the ceiling fan's remote control unit.

# CEILING FAN

## REMOTE CONTROL

	All off		
	Light on/off (light memory after 10 seconds) CCT switch (fast click to switch)		
1-6	Fan speed		
	Fan on/off Memory setting (Use this button to turn off the fan, and use it again to turn on with memory function.)		
	Natural wind		
	Forward/reverse		
	Anti-theft mode (Pressing the button will turn off the light and fan. Then, the light and fan will run for 10 minutes every 4 hours.)		
	Delay off in 5 minutes		
	Remote controller mute		
1H 4H 8H	Fan stops running after 1/4/8 hours		
			<p>Installing Wall Plate: Attach wall plate using the two provided screws.</p> 

To operate the fan, please install 2 AAA batteries (included) in the handheld remote transmitter. If not used for extended periods of time, remove the batteries to prevent damage to the transmitter. Store the remote away from excessive temperatures and humidity.

Pairing method: (single/multiple fans)

The remote control transmitter can be used to control multiple receivers.

1. For the ceiling fan you want to pair, turn the main power switch off for at least 60 seconds.

2. Turn on the main power switch of the ceiling fan, then immediately press and hold  button.

3. Wait for light flashes or emitting a beep, then release the button, pairing completed.

If the pairing process is unsuccessful, repeat above steps.

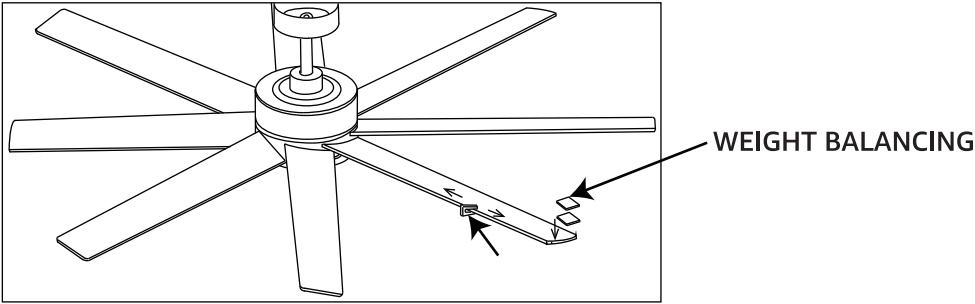
# CEILING FAN

## TROUBLESHOOTING

PROBLEM	SUGGESTED REMEDY
If fan does not start	<ol style="list-style-type: none"> <li>1. Check main and branch circuit fuses or circuit breakers.</li> <li>2. Make sure forward/reverse switch is firmly in bottom or top position. Fan will not operate when switch is in the middle.</li> <li>3. Make sure that the wall control is turned "ON"</li> <li>4. Check line wire connections to fan and switch wire connections in switch housing. CAUTION: Make sure main power is turned off.</li> <li>5. Make sure battery has power, change battery(2*AAA) to try again.</li> <li>6. The remote controller is not paired, check Page.11 to pair.</li> <li>7. The motor or receiver or remote controller is fault, contact our customer service.</li> </ol>
If fan sounds noisy	<ol style="list-style-type: none"> <li><b>1. Make sure all screws in motor housing are snug. (not over tightened)</b></li> <li><b>2. Make sure the screws which attach the fan blade bracket to the motor are tight.</b></li> <li><b>3. Make sure the blade is correct installed, "UP" side up.</b></li> <li><b>4. Too close to the wall, make sure the blades at least 3ft to the wall.</b></li> <li><b>5. Make sure wire connectors in switch housing are not rattling against each other or against the interior wall of the switch housing.</b></li> <li><b>CAUTION: Make sure main power is turned off before entering switch housing.</b></li> <li><b>6. If using an optional ceiling fan lightkit, make sure the screws securing the lampshade tight.</b></li> <li><b>7. Some fan motors are sensitive to signals from Solid State variable speed controls. DO NOT USE a Solid State variable speed control.</b></li> <li><b>8. Allow "break-in" period of 24 hours. Most noises associated with a new fan will disappear after this period.</b></li> </ol>
If fan wobbles	<p>All blades are weighed and grouped by weight. The following procedures should eliminate most of the wobble. Check for wobble after each step.</p> <ol style="list-style-type: none"> <li>1. Check that all blades are screwed firmly into motor housing.</li> <li>2. Make sure that canopy and mounting bracket are tightened securely to ceiling junction box and junction box is mounted firmly to ceiling joist.</li> <li>3. Make sure the ball head into the slot.</li> <li>4. Make sure the the downrod is well fixed by screws</li> <li>5. Interchanging two adjacent blades could redistribute the weight and possibly result in smoother operation.</li> </ol>

# CEILING FAN

## TROUBLESHOOTING

PROBLEM	SUGGESTED REMEDY
<p>If fan wobbles</p>	<p>6. The balancing kit should only be used if there is an unacceptable amount of fan wobble after completing all the steps:</p> <p><u>How to use balancing kit:</u></p> <ol style="list-style-type: none"> <li>(1) Turn the fan on and set the speed control setting to a speed at which the wobble is the greatest.</li> <li>(2) Turn off the fan and allow it to come to a complete stop. Select one blade and place the balance clip on it, halfway between the blade holder and the blade tip on the trailing edge of the blade.</li> <li>(3) Turn the fan on. Note whether the wobble has increased or decreased. Turn the fan off, move the clip to another blade, and retest. Repeat this procedure on all blades, noting the blade on which the greatest improvement is achieved.</li> <li>(4) Move the clip back to the blade that showed the greatest improvement. Move the clip inward and outward on this blade and operate the fan to find the position where the clip gives the greatest improvement.</li> <li>(5) Remove the clip and install a balancing weight to the top of the blade along the centerline, near the point where the clip was positioned.</li> <li>(6) If the fan wobble problem has not been corrected, you can try to improve the balancing further by using the balancing clip and additional weights.</li> </ol> 
<p>If light does not work or flickering</p>	<ol style="list-style-type: none"> <li>1. Check for loose or disconnected wires in fan switch housing.</li> <li>2. Check the wiring of receiver to the light kit.</li> <li>3. Check for loose or disconnected wires in light kit, make sure connector is correct inserted.</li> <li>4. Check for faulty light bulbs. (light bulb version only)</li> <li>5. There is too many ceiling fans with different control system in the same area, shut down other ceiling fans to check if still flickering.</li> </ol> <p>CAUTION: Make sure main circuit is turned off before entering switch housing.</p>

# CEILING FAN

---

## CUSTOMER SERVICE

### 30-Days Full Refund Guarantee

If you are not completely satisfied or the item isn't what you expected, just tell us within 30 days. We will give you a full refund unconditionally.

### Friendly Reminder

It's better to contact us than leaving a negative shopping experience. Nothing is more important than your satisfaction, and we will do our best to serve you.

### Quick Response within 12 Hours

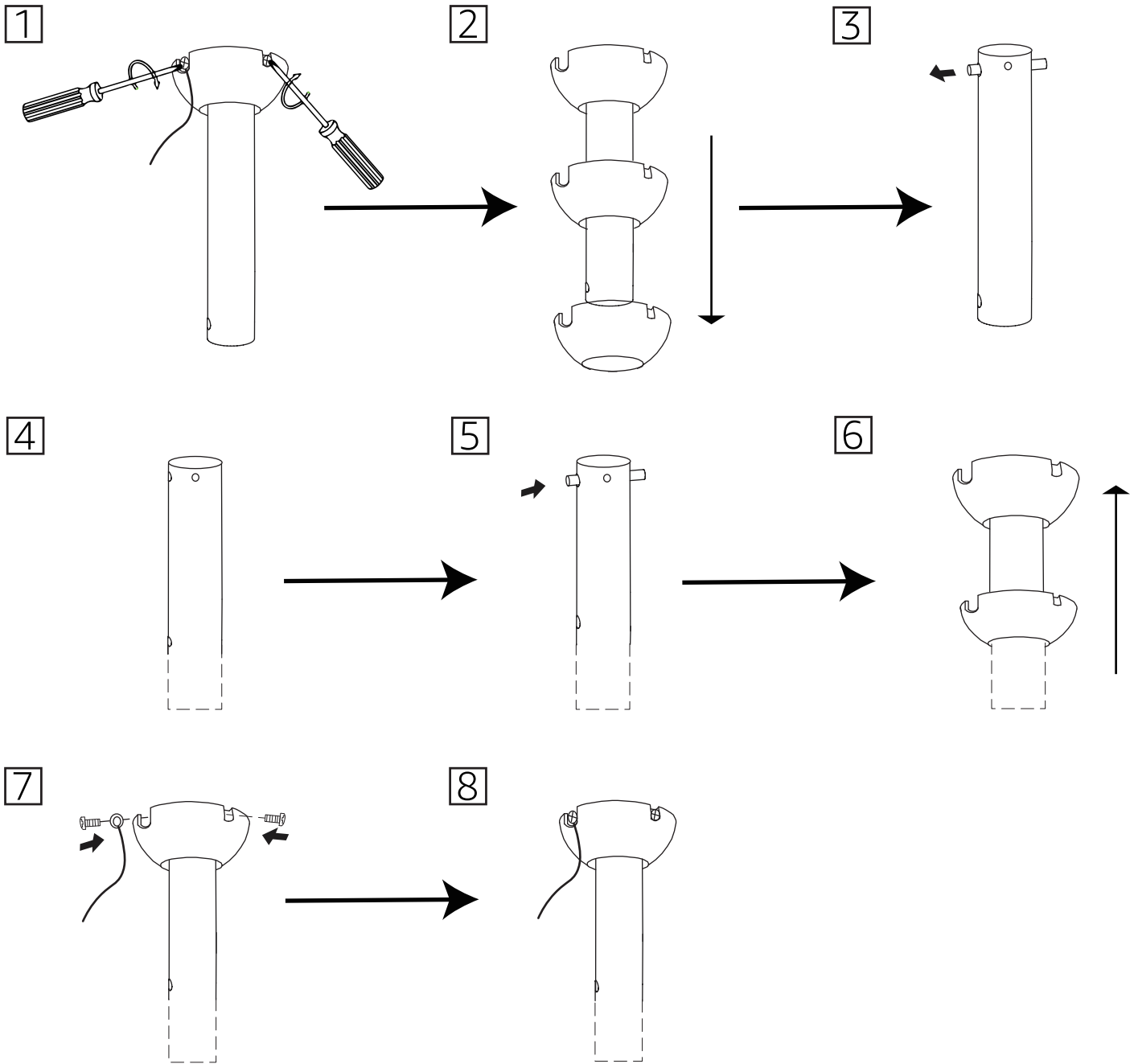
You can contact us without any hesitation at any time of the day, and we will reply to you within 12 hours. ( It would be appreciated if you could provide us with a video or pictures, if available)

### 2-year Warranty

Your fan light comes with a two-year warranty. If a malfunction occurs due to product quality issues, we will assist in diagnosing the problem and provide replacement parts free of charge to ensure your fan light resumes normal operation.

# CEILING FAN

## REPLACE THE DOWNROD



### **!** WARNING

Fan fall hazard

To prevent serious injury or death:

- Always follow the downrod assembly instructions exactly.
- Verify the downrod is assembled correctly by firmly pulling on the hanger ball.
- Pin must be reinserted to secure downrod assembly

