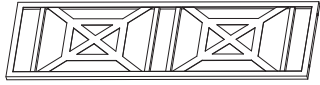
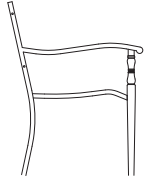






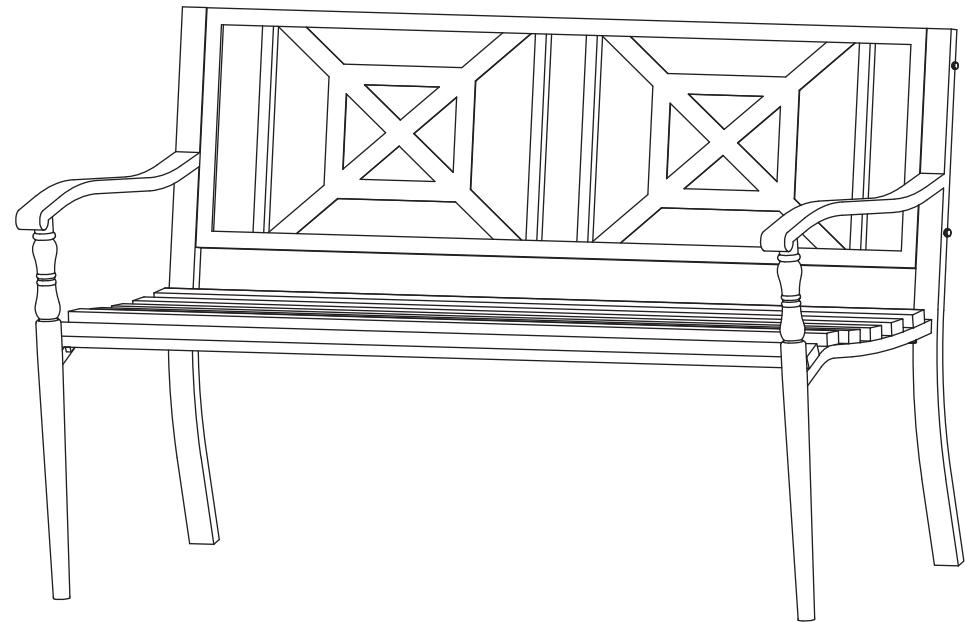
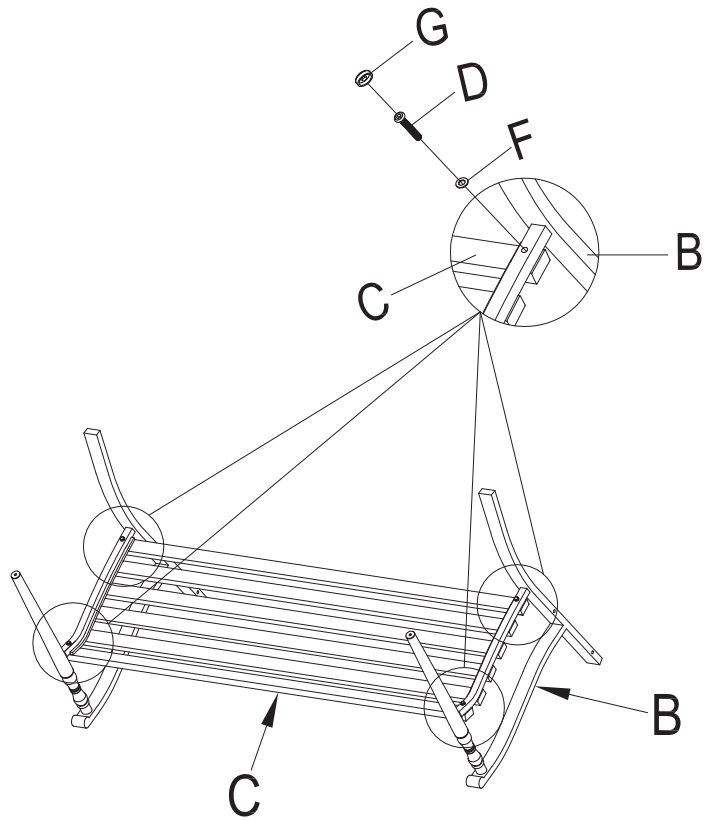


Part List

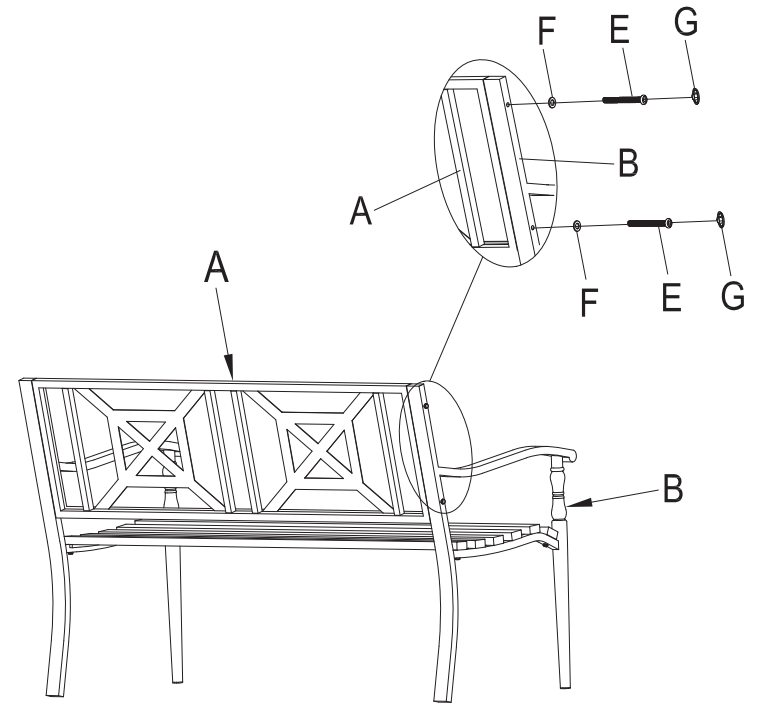
No.	Description	Diagram	Qty pcs
A	Back		1
B	Leg		2
C	Seat		1
D	Bolt 35mm		4
E	Bolt 55mm		4
F	Washer Ø12*Ø6.5*1.0MM		8
G	Screw Caps		8
H	Hexagonal Wrench		1



Step1



Step2



Step3

