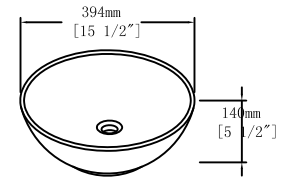
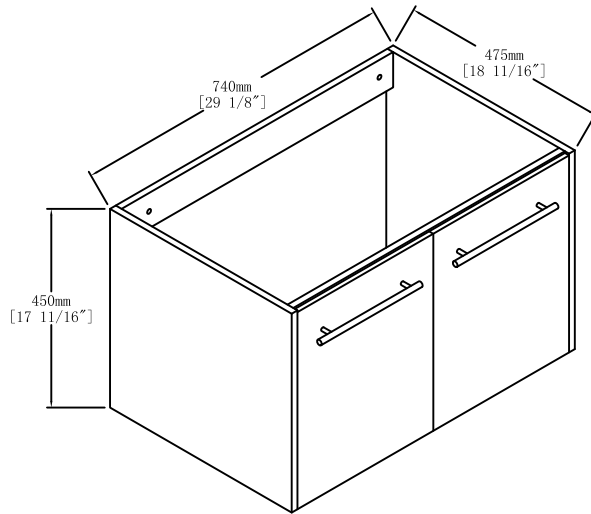
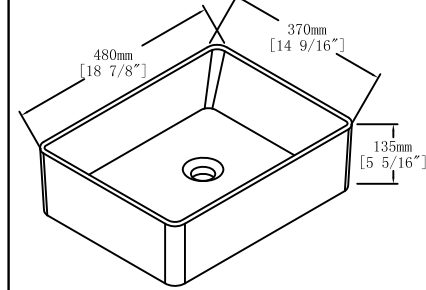


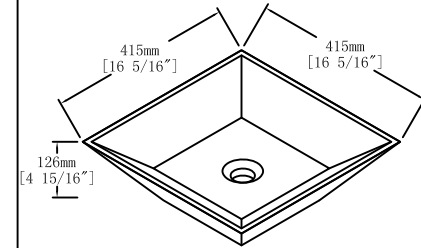
Top View



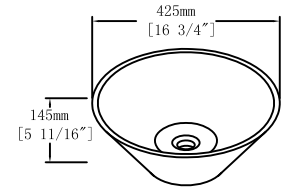
BA B321MO WH



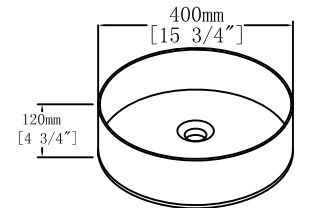
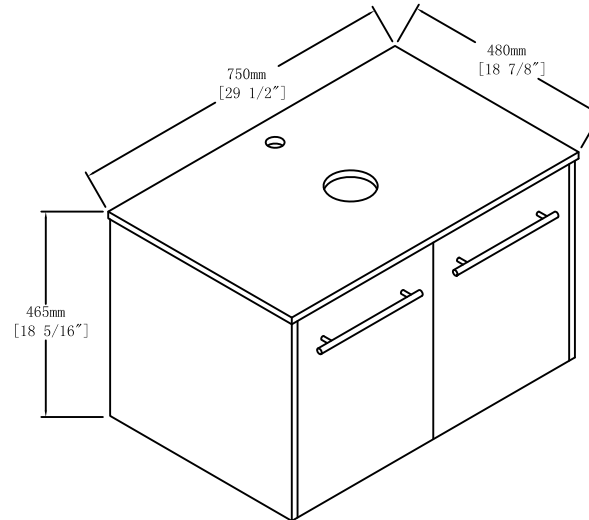
BA B110MO WH



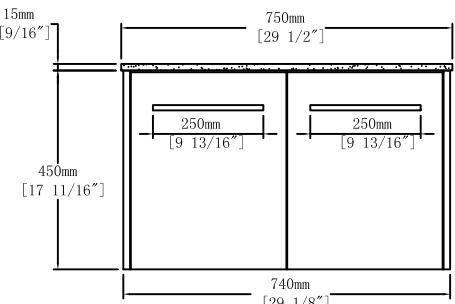
BA B101MO WH



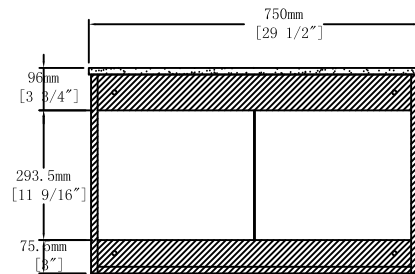
BA B217MO WH



BA B400MO WH



Front View



Back View