

## 3-Light Semi Flush Mount

**Caution:** Please turn off power before installation and read the manual carefully, we advise you contact professional electricians to install for safety purpose.

### Product Features

Style: Modern

Material: Metal

Color: Black + Brass

Base Type: E26

Light Source Included: NO

Voltage: 120VAC

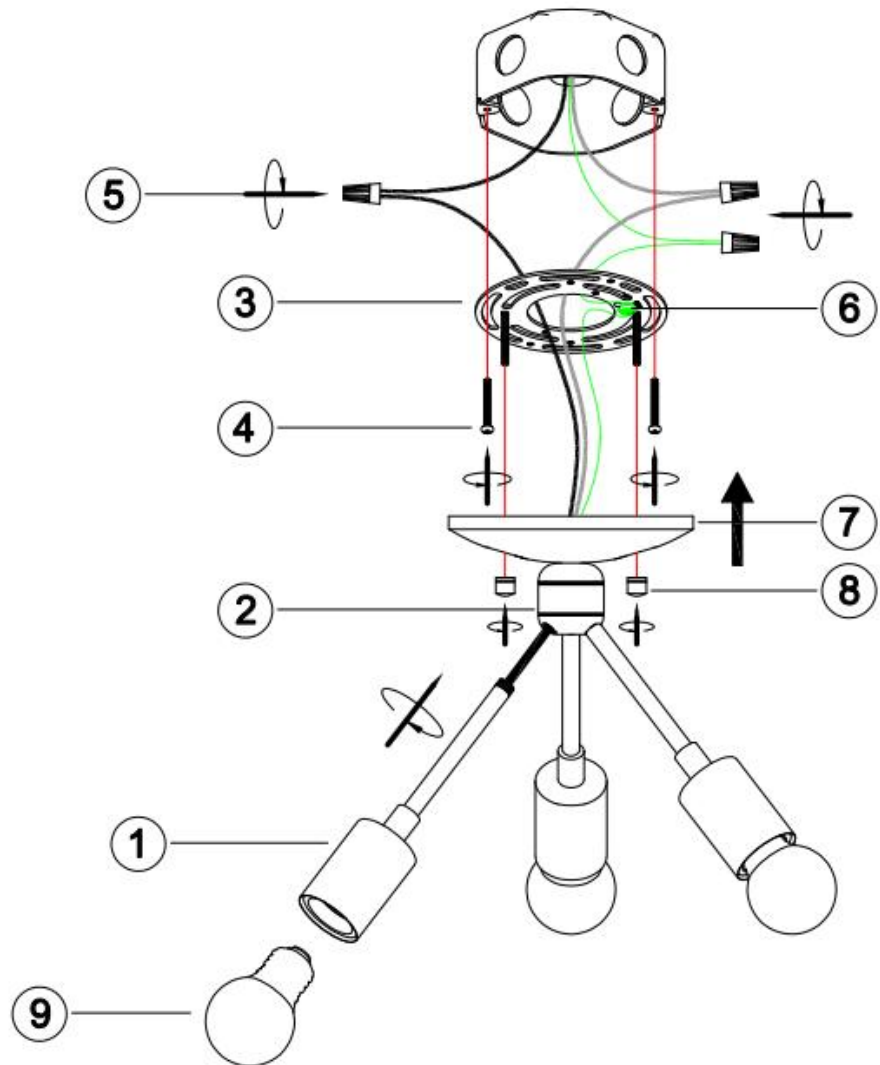
Wattage: 40W

### Package includes

1 x Ceiling Light

1 x Accessories Kit

1 x User's Manual



### Installation Instructions

1-2. Push the lamp socket rod to the screw hole of the lamp body, and then rotate it to fix it on the lamp body.

3-4. Fix the mounting plate on the junction box with screws.

5. Connect the light positive wire to the positive wire(+) from ceiling using the wire cap. Similarly, connect the light negative wire to the negative wire(-) from ceiling using the wire cap. Ensure no bare wires are exposed to prevent electrical leakage.

6. Attach the ground wires to the mounting plate using the green screw, then use the wire cap to connect the ground wires from the junction box together. Carefully put all wires back into the junction box.

7-8. Fix the canopy to the junction box using cap nuts.

9. Install the light bulb (not included).

**Note:** please use this product accordingly to its intended purpose, do not retrofit or remodeling the product. The warranty does not cover if the failure is caused by the third party product, or natural disasters.

Made in China