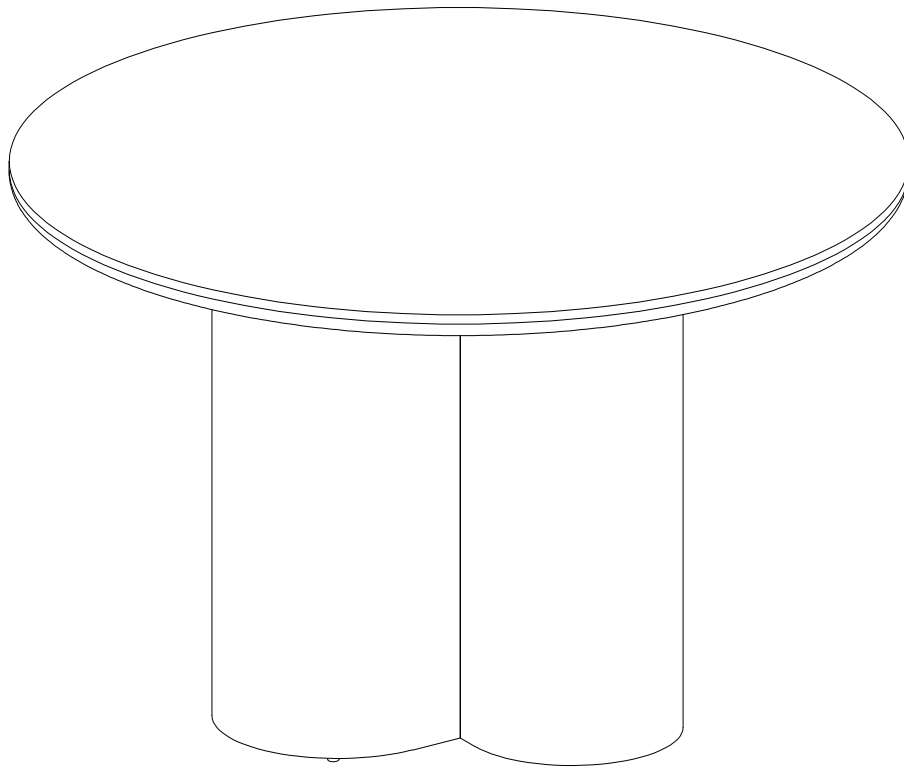


WALKER EDISON
TM

Maya 47" Round Dining Table

SKU# WEMYA12474



For Residential Use Only

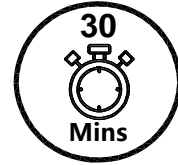
Please visit our website for the most current instructions, assembly tips, report damage, or request parts. www.walkeredison.com



Time to get started

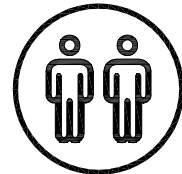
Set up a clean and soft workplace to get started and avoid damage during the assembly. It also helps to double-check that you've got all the pieces and parts before diving in to assembly.

Estimated time for assembly



People recommended for assembly

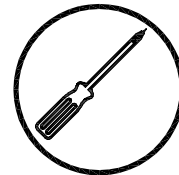
Make it a team effort! Grab a friend for quicker, easier assembly.



2 People Build

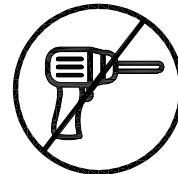
Tools Needed

Grab a Phillips head screwdriver to conquer this assembly



Use power tools with caution

You can cause cracking or damage to the material and easily strip the hardware. If you choose to use a power tool, your product will no longer be covered under Walker Edison's warranty.

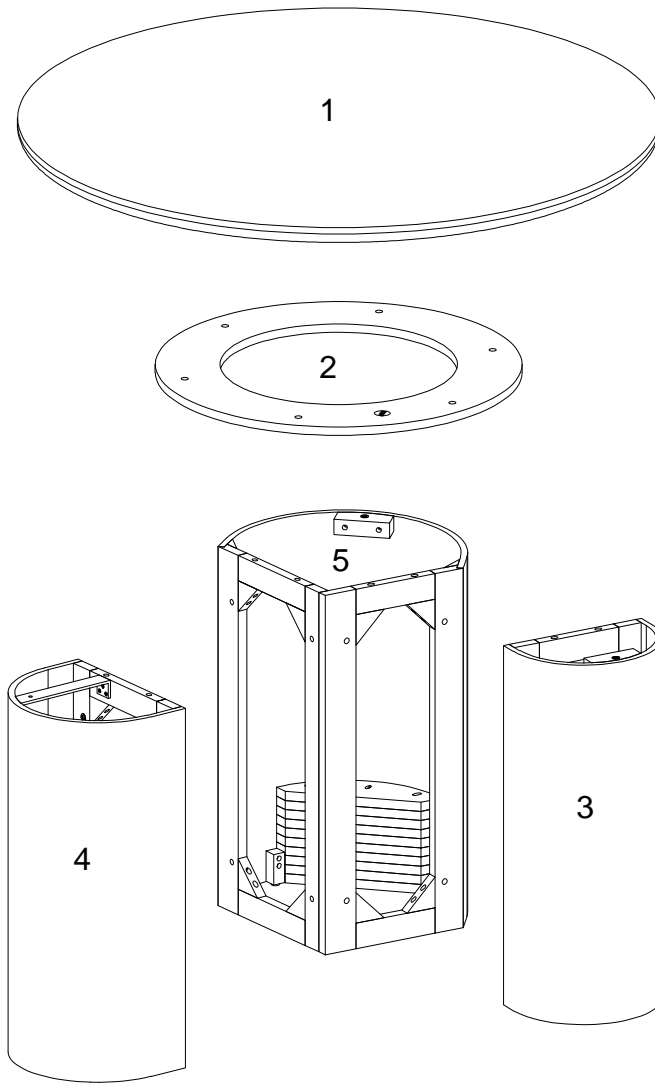


Maya

Scan to get assembly tips and help!



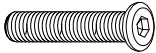




Parts List



Part Number	Description	Quantity
1	Tabletop	1
2	Support Panel	1
3	Small Support Leg	1
4	Medium Support Leg	1
5	Large Support Leg	1



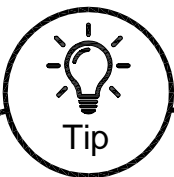
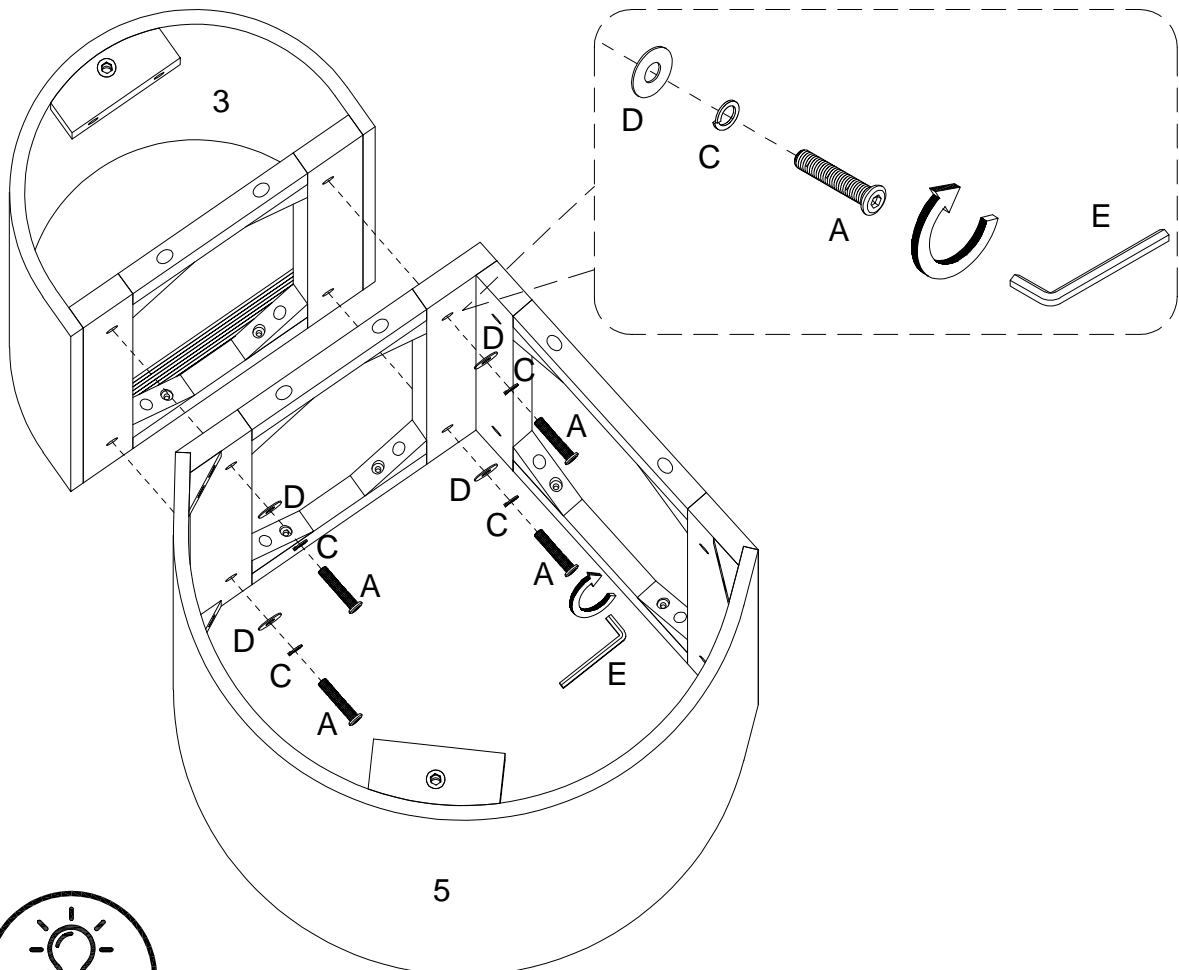
Hardware List

Part	Size	Name	Quantity
A	 5/16"x40mm	Bolt	12
B	 5/16"x35mm	Bolt	3
C	 5/16"x13x1.0mm	Lock washer	15
D	 5/16"x22x1.5mm	Washer	15
E	 M5	Hex key	1

*The hardware quantities listed above are required for proper assembly.
Extra hardware pieces may be included.*

Step 1

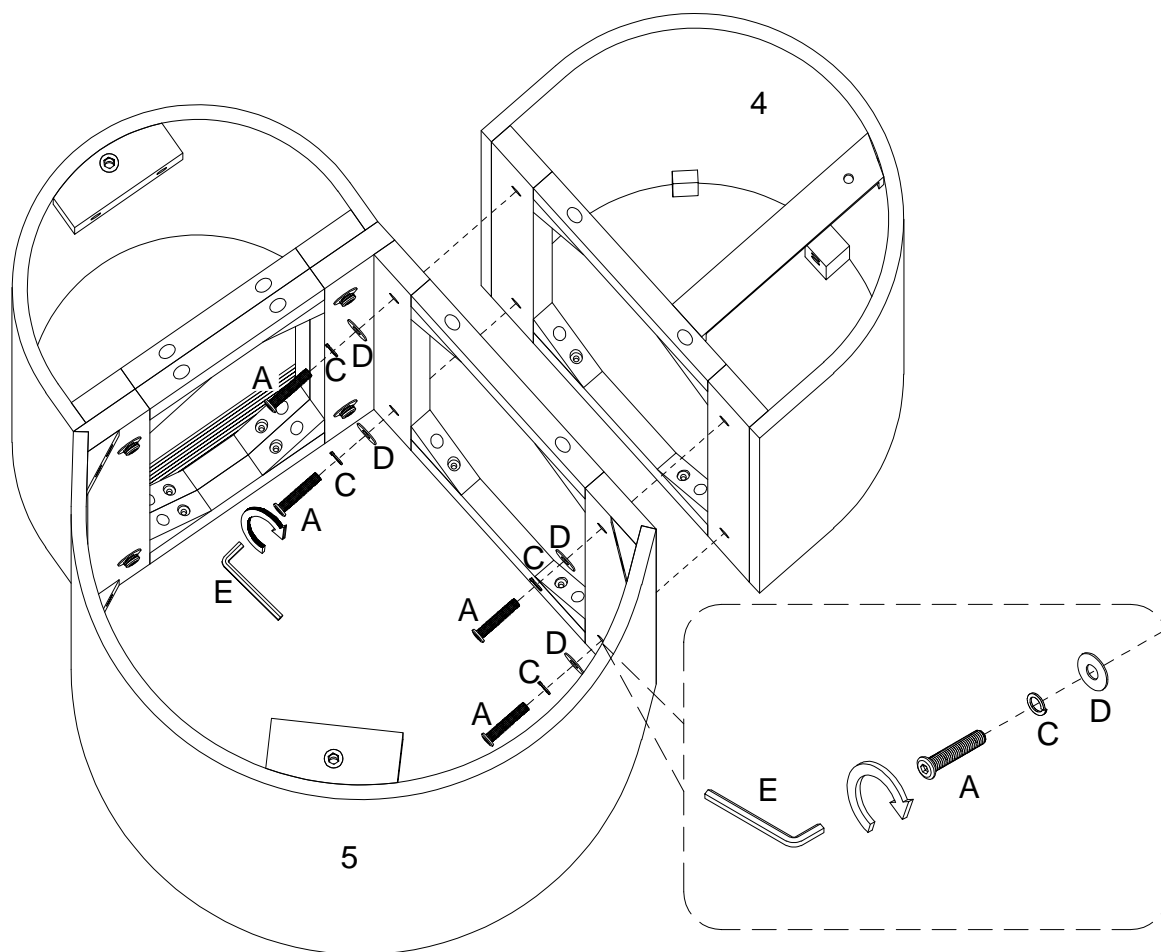
Let's get started! Using the (A) bolt, (C) lock washer, and (D) washer, secure the Small Support Leg (3) to the Large Support Leg (5). Tighten 75% with the provided hex key (E).



Do not tighten bolts / screws completely until all bolts / screws are lined up and inserted into holes. Tighten only to 75% for now.

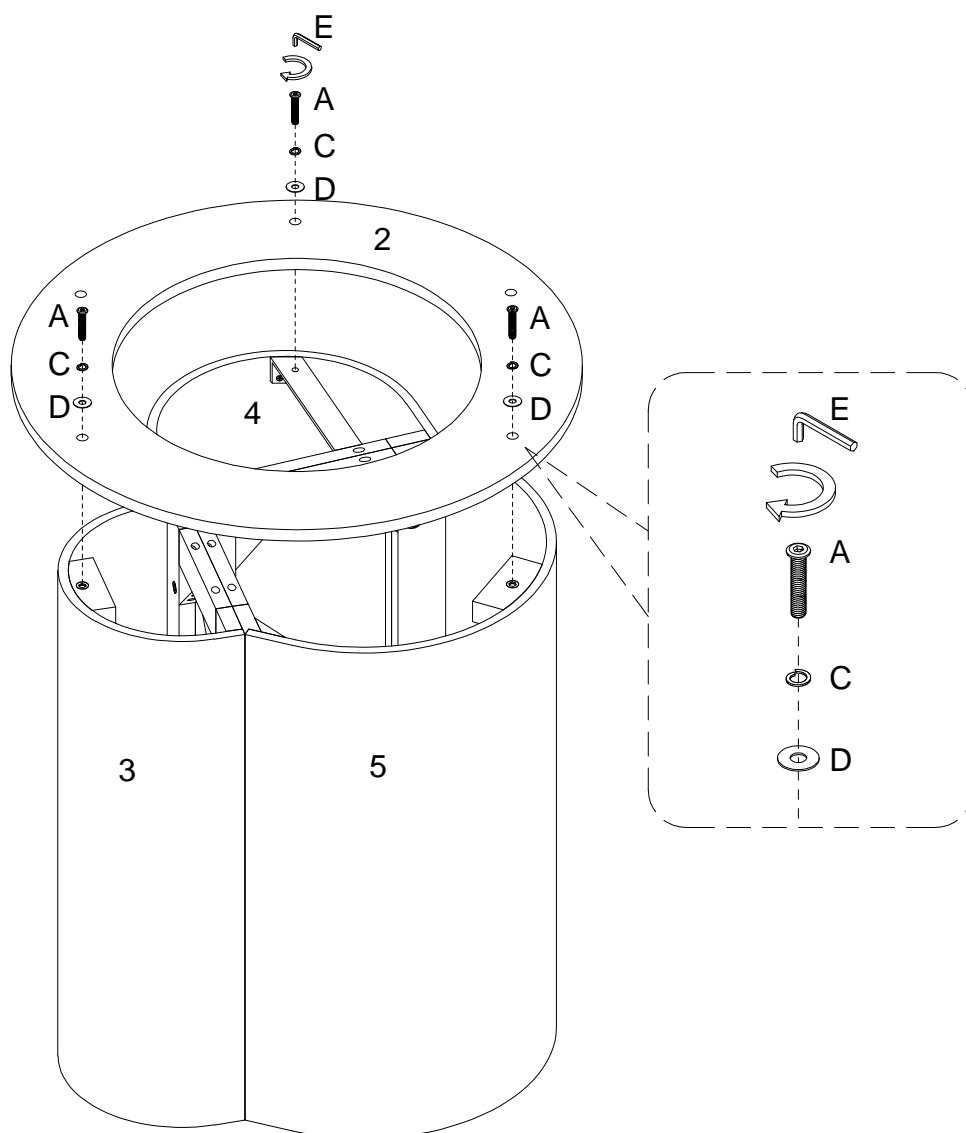
Step 2

Using the (A) bolt, (C) lock washer, (D) washer, and hex key (E), secure the Medium Support Leg (4) to the Large Support Leg (5).



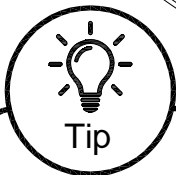
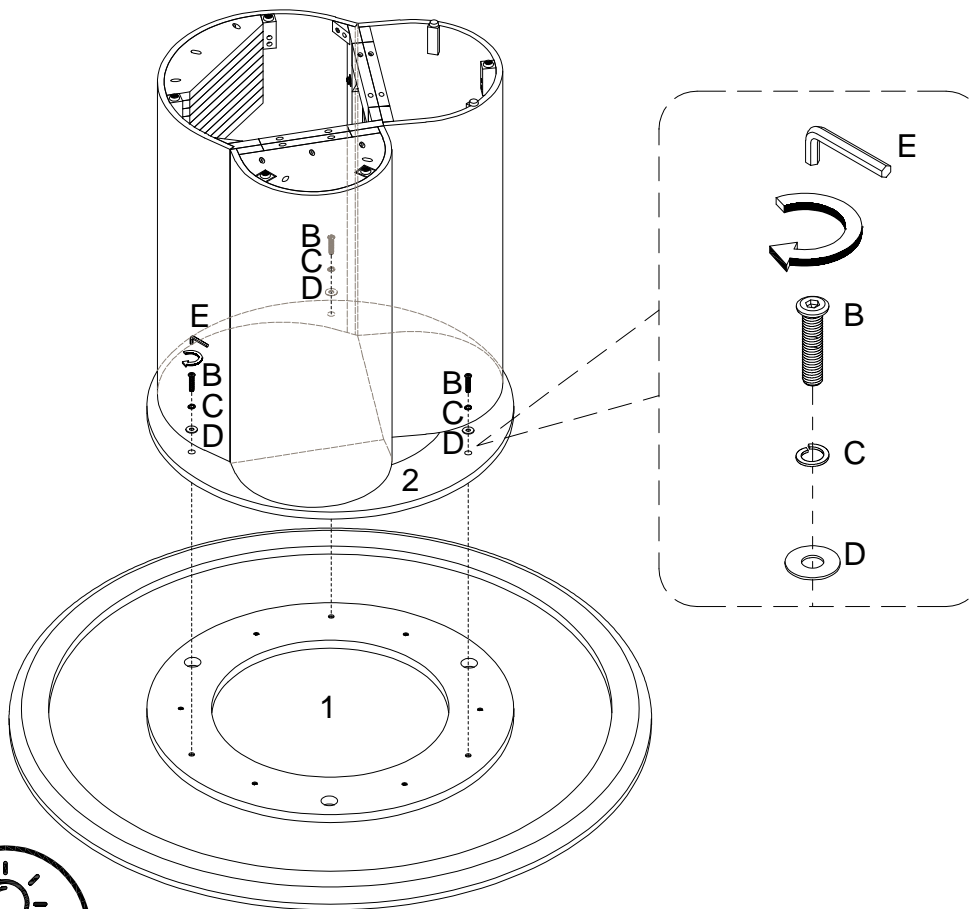
Step 3

Now, attach the Support Panel (2) to the Small Support Leg (3), Medium Support Leg (4), and Large Support Leg (5) using the (A) bolt, (C) lock washer, (D) washer, and hex key (E).

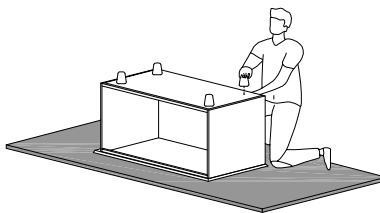


Step 4

Secure the Tabletop (1) to the Support Panel (2) using the (B) bolt, (C) lock washer, (D) washer, and the hex key (E).



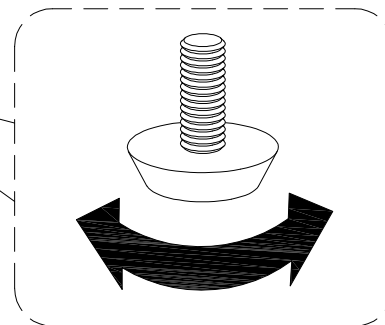
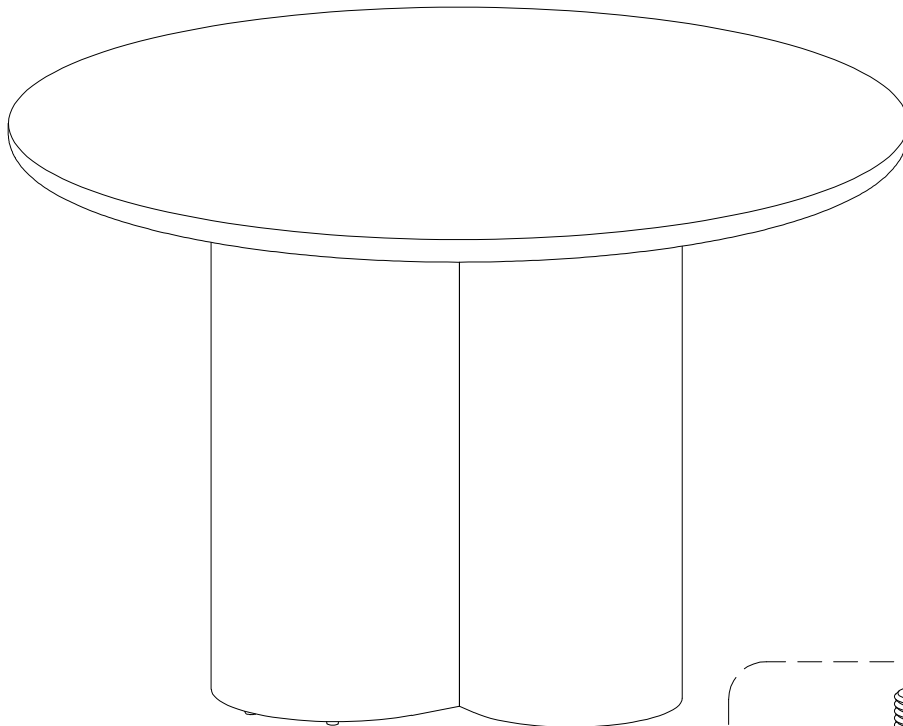
To keep your product looking its best and scratch-free, try assembling it on a soft surface like carpet or a blanket. This helps prevent any accidental scratches and keeps your furniture in top shape!



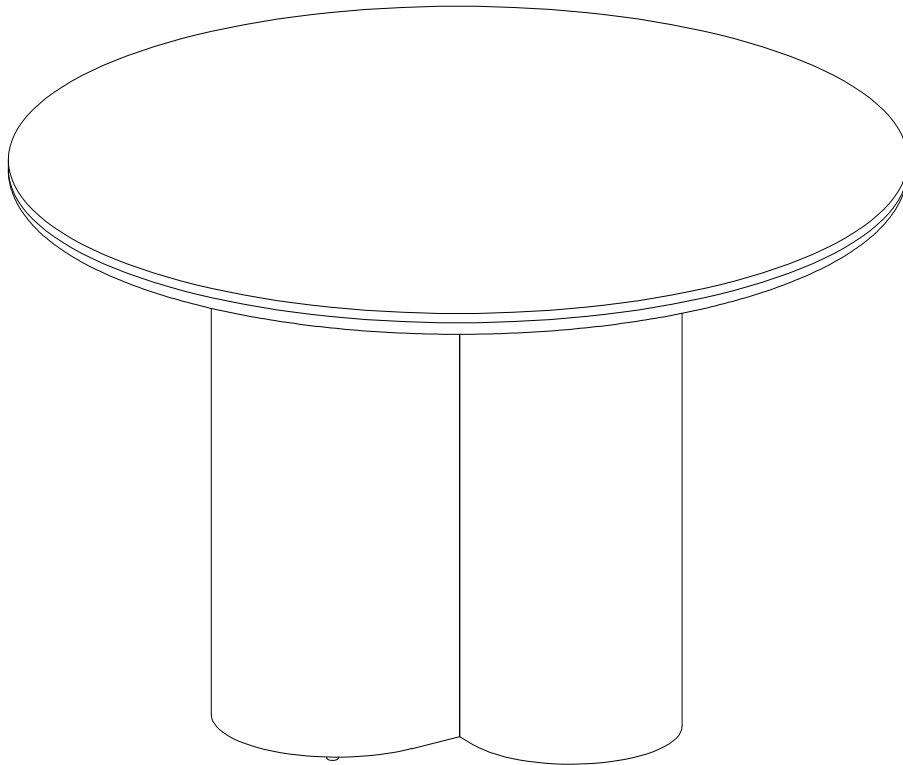
Carefully flip the table over on a flat surface and make sure the legs are touching the ground evenly before tightening everything to 100%

Step 5

Twist the adjustable feet on the bottom of your table to ensure that it sits level.



Final Assembly



Congratulations on your new piece of furniture!

We would love to hear about it and see it.
Please leave us a review or post a picture with
#mywalkerredisonhome

Assembling furniture can be tricky sometimes.

Our customer service team, located in Utah, is here for product information, help assembling a product, or for any other customer support issue

Call us at **801-433-3008**

Email us at service@walkeredison.com

Visit our Customer Service website at walkeredison.com/pages/customer-service

We are available to help Monday -Thursday 8am-5pm, Friday 8am-3pm MST

For details on Assembly Videos, Assembly Instructions, Replacement Parts, and Customer service,
SCAN HERE

