

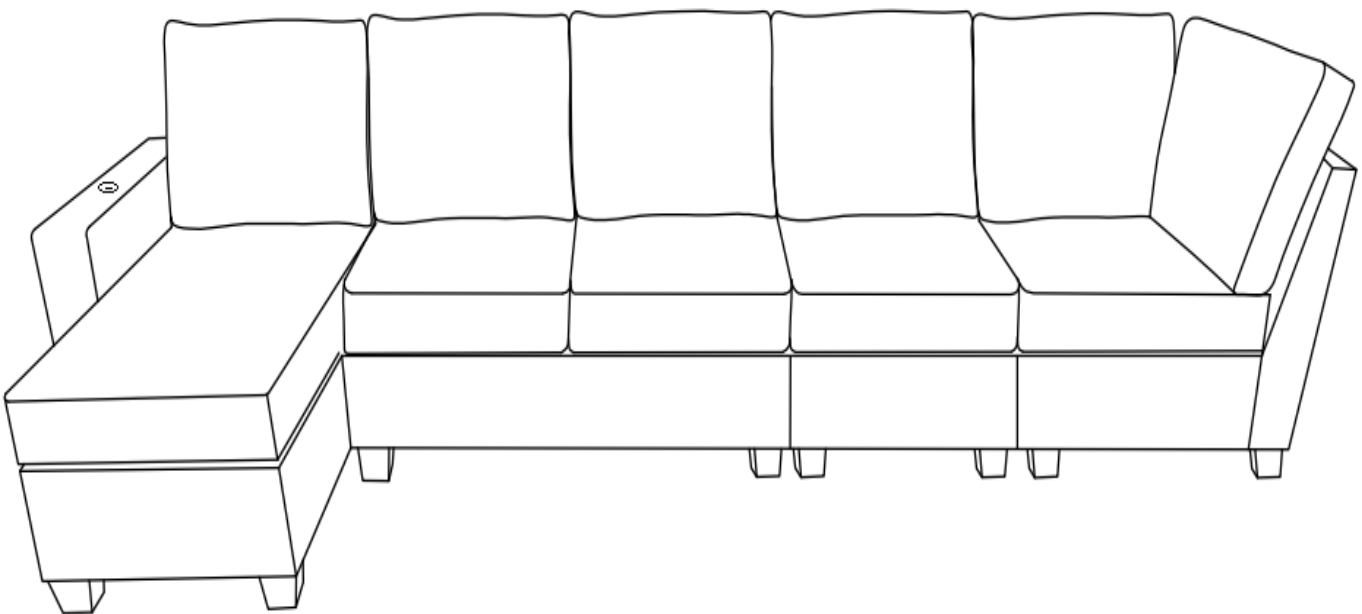
ASSEMBLY INSTRUCTION

WF312441 WF312442

WF312443 WF312444

Friendly Reminder:

- 1.This sofa is packed in 4 boxes. Please assemble it after all boxes are received.
2. As the cushions are all vacuum compressed, there will be some wrinkles. Please give your cushions up to 72 hours to reach its original size and the wrinkles will basically disappear.
- 3.Please do not open the compressed package until your sofa frame is completely assembled.






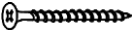



Return & Warranty policy:

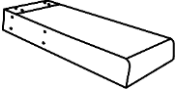
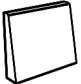




- We strive to offer the highest quality products, and we also try our best to satisfy each and every customer that orders from us with replacement parts or service as needed.
- If the item is damaged or defective, please take photos as evidence for replacements and refunds.
- Please do not return to store, contact the seller if you have any troubles with this product.

ASSEMBLY INSTRUCTION

HARDWARE

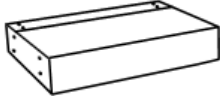


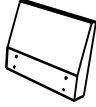
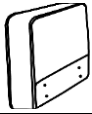

NO	DESCRIPTION	SKETCH	QTY
1	Bolt 5/16*50mm		24
2	Spring washer 5/16"*13mm		24
3	Flat washer 5/16"*19mm		24
4	Allen key		2
5	Link Brackets		6
6	Screw 4*40		12
7	Flat Washer 1/4" x 16mm		12

PARTS LIST WF312441


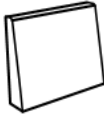
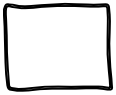


NO	DESCRIPTION	SKETCH	QTY
A	Lounger Seat Frame		1
B	Lounger Back Frame		1
H	Loveseat Back Frame		1
E	Back Cushion		1
C	Lounger Seat Cushion		1
F	Legs		4

ASSEMBLY INSTRUCTION

PARTS LIST WF312442


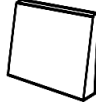
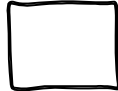
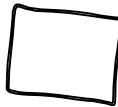


NO	DESCRIPTION	SKETCH	QTY
G	Loveseat Seat Frame		1
E	Back Cushion		2
I	Loveseat Cushion		2
O	Corner Armrest		1
D	Armrest		1
F	Legs		4

PARTS LIST WF312443








NO	DESCRIPTION	SKETCH	QTY
J	Single Seat Frame		1
K	Single Back Frame		1
E	Back Cushion		1
L	Single Seat Cushion		1
F	Legs		4

ASSEMBLY INSTRUCTION

PARTS LIST WF312444

NO	DESCRIPTION	SKETCH	QTY
M	Corner Seat Frame		1
N	Corner Back Frame		1
E	Back Cushion		1
Q	Side Cushion		1
P	Corner Seat Cushion		1
F	Legs		4

All parts and hardware.

1		24pcs	5		6pcs
2		24pcs	6		12pcs
3	 5/16" x 19mm	24pcs	7	 1/4" x 16mm	12pcs
4		2pcs			

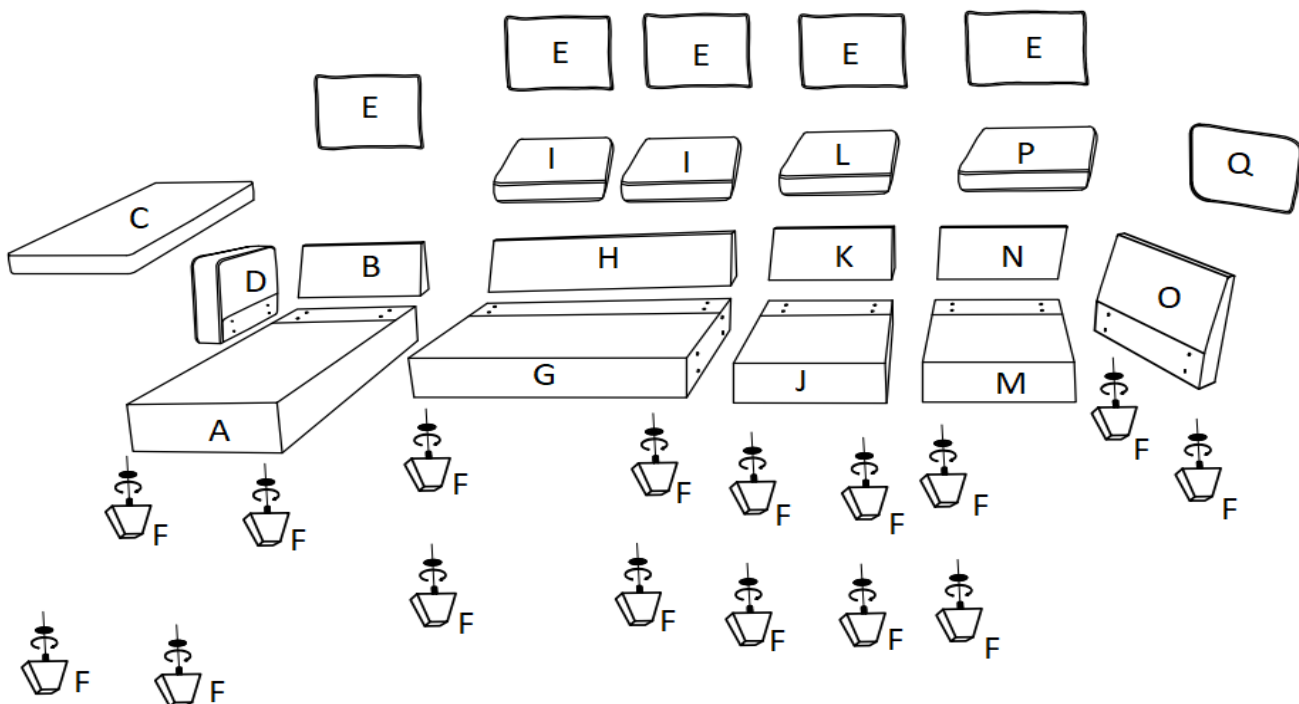


DIAGRAM 1 (Take out all parts)

+ Open carton WF312441 and take out the Lounger Seat Frame (A), Loveseat Back Frame (H) and Lounger Seat Cushion (C). Then upside down and unwrap the Lounger Seat Frame (A) to take out Lounger Back Frame (B), Back Cushion (E), and Legs (F) and hardware package.

+ Open carton WF312442 and take out the Loveseat Frame (G), Corner Armrest (O), Armrest (D). Then upside down and unwrap the Loveseat Frame (G) to take out Back Cushions (E), Loveseat Cushions (I) and Legs (F)

+ Open carton WF312443 and take out the Single Seat Frame (J), Back Cushion (E), Single Seat Cushion (L). Then upside down and unwrap the Single Seat Frame (J) to take out Single Back Frame (K) and Legs (F)

+ Open carton WF312444 and take out the Corner Seat Frame (M), Back Cushion (E), Side Cushion (Q), Corner Seat Cushion (P). Then upside down and unwrap the Corner Seat Frame (M) to take out Corner Back Frame (N) and Legs (F)

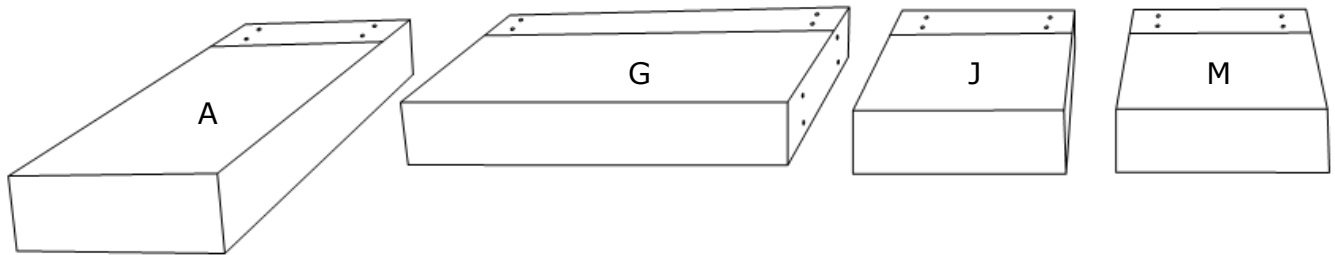





DIAGRAM 2

(Assemble the Corner Seat Frame (M) to Corner Armrest(O))

Connect the Corner Seat Frame (M) to Corner Armrest (O) with the Bolts (1) and the Spring washers (2), Flat washers (3) by Allen key (4)

1		4pcs
2		4pcs
3	 5/16*19	4pcs

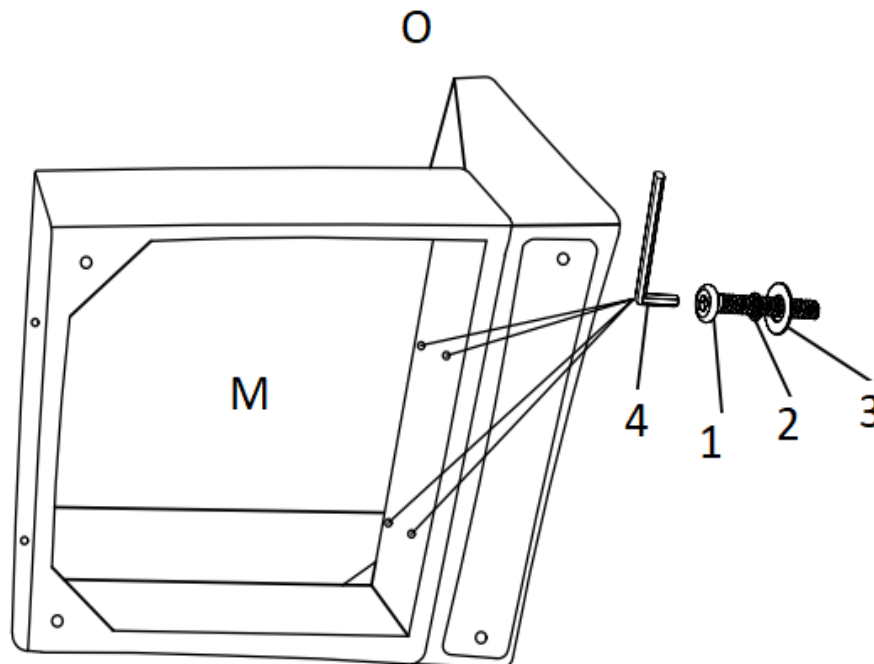





DIAGRAM 3 (Assemble the Armrest (D) to Lounger Seat Frame (A))
 Connect the Armrest (D) to Lounger Seat Frame(A) with the Bolts (1) and the Spring washers (2), Flat washers (3) by Allen key (4)
 Please install the top bolts first, then the bottom bolts.
 Make sure all the bolts are in the holes before tightening all the screws

1		4pcs
2		4pcs
3		4pcs

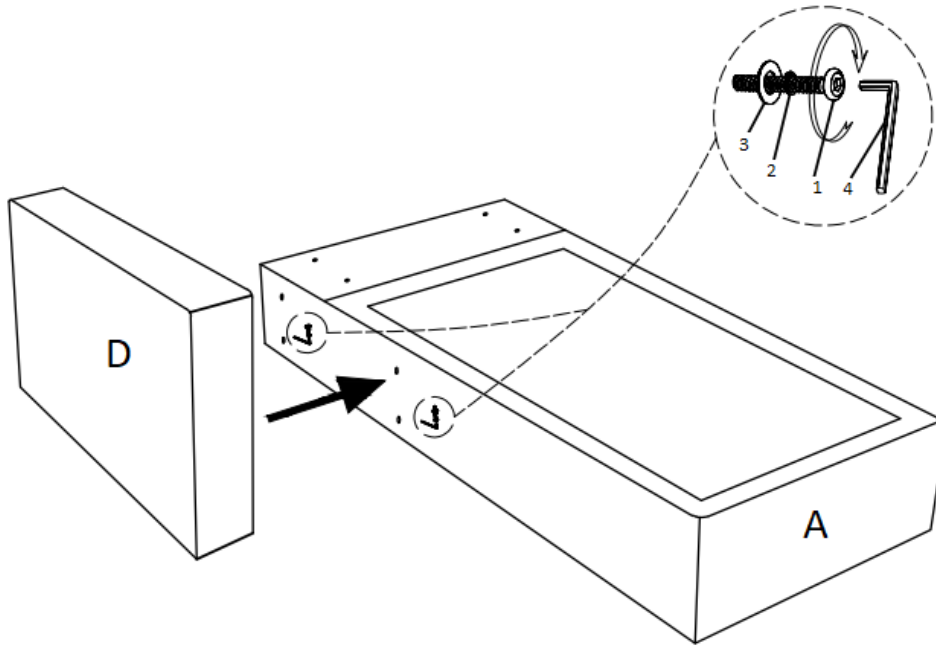


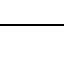


DIAGRAM 4 (Assemble all the Back Frames to the Seat Frames)

Connect the Back Frames (B, H, K, N) to the Seat Frames (A, G, J, M) correspondingly with the Bolts (1) and the Spring washers (2), Flat washers (3) by Allen key (4) as shown below:
 Please install the top bolts first, then the bottom bolts.
 Make sure all the bolts are in the holes before tightening all the screws

1		16pcs
2		16pcs
3	 5/16*19	16pcs

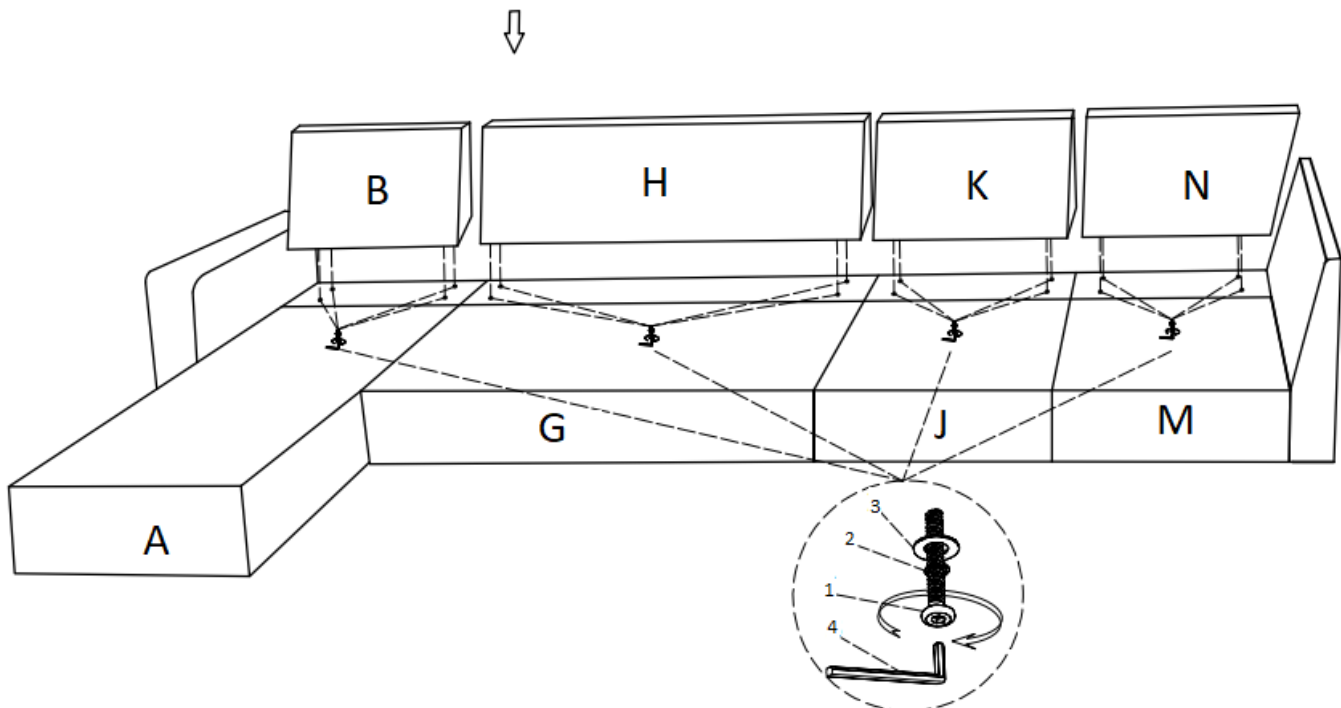


DIAGRAM 5 (Assemble the Legs (F) to Loveseat Frame (G))

Tight 4pcs of Legs (F) with plastic washers to Loveseat Frame (G)

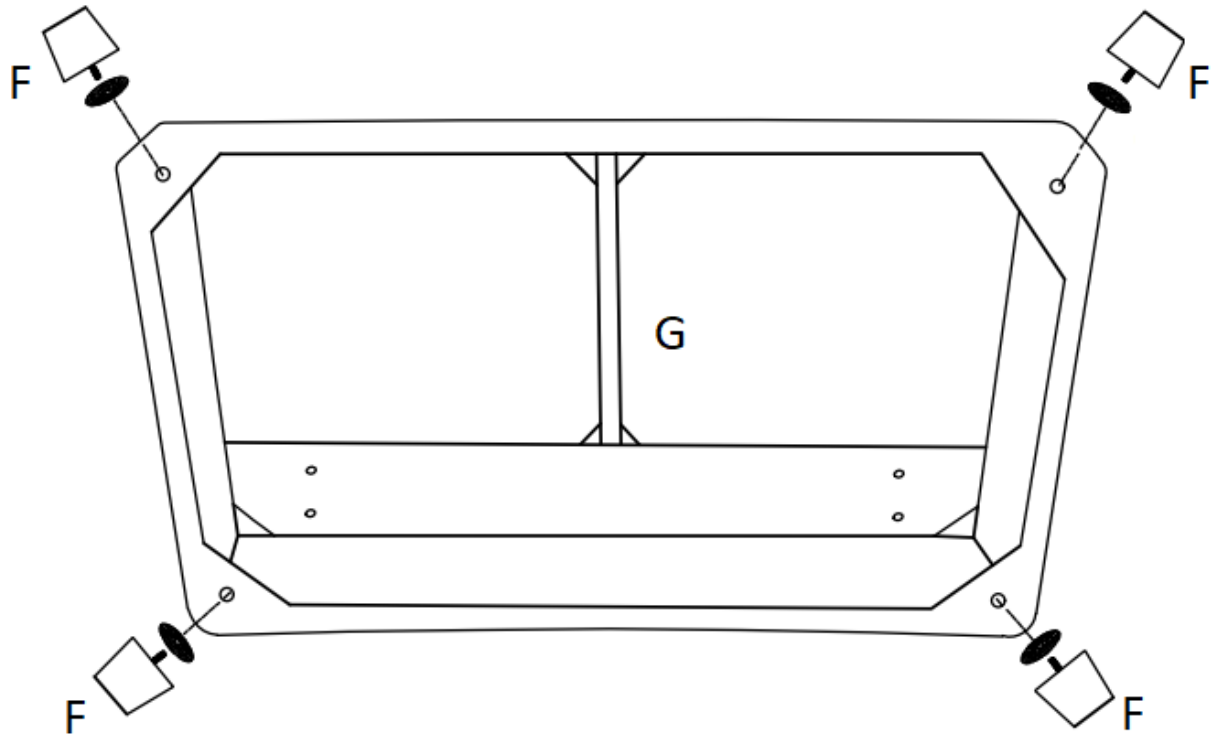
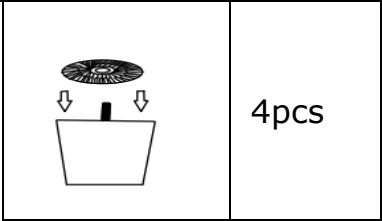


DIAGRAM 6 (Assemble the Legs (F) to Single Seat Frame (J))

Tight 4pcs of Legs (F) with plastic washers to Single Seat Frame (J)

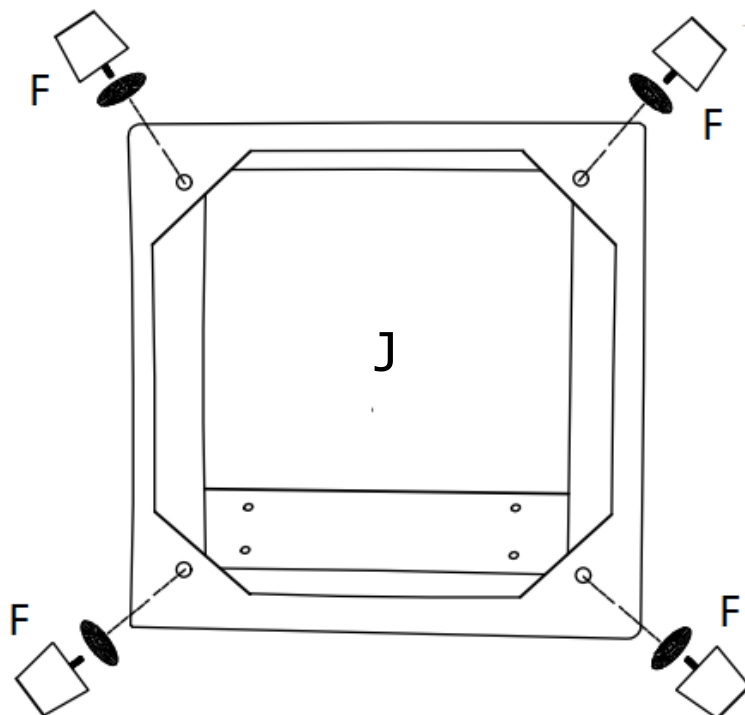
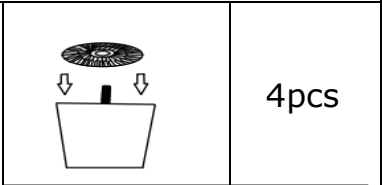


DIAGRAM 7 (Assemble the Legs (F) to Corner Seat Frame (M))

Tight 4pcs of Legs (F) with plastic washers to Corner Seat Frame (M)

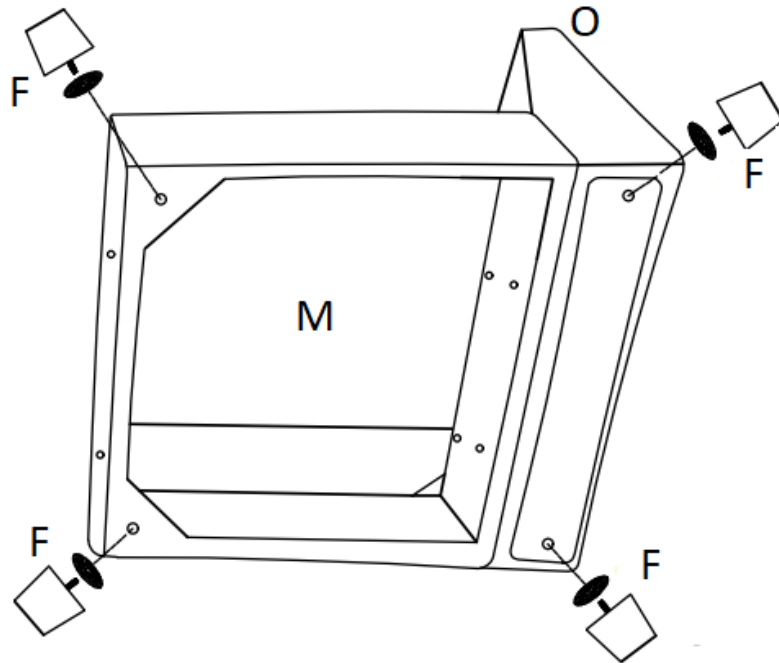
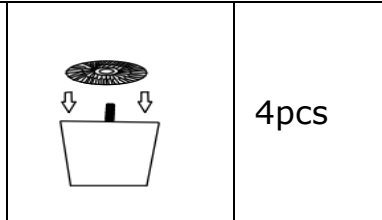


DIAGRAM 8 (Assemble the Legs (F) to Lounger Seat Frame (A))

Tight 4pcs of Legs (F) with plastic washers to Lounger Seat Frame (A)

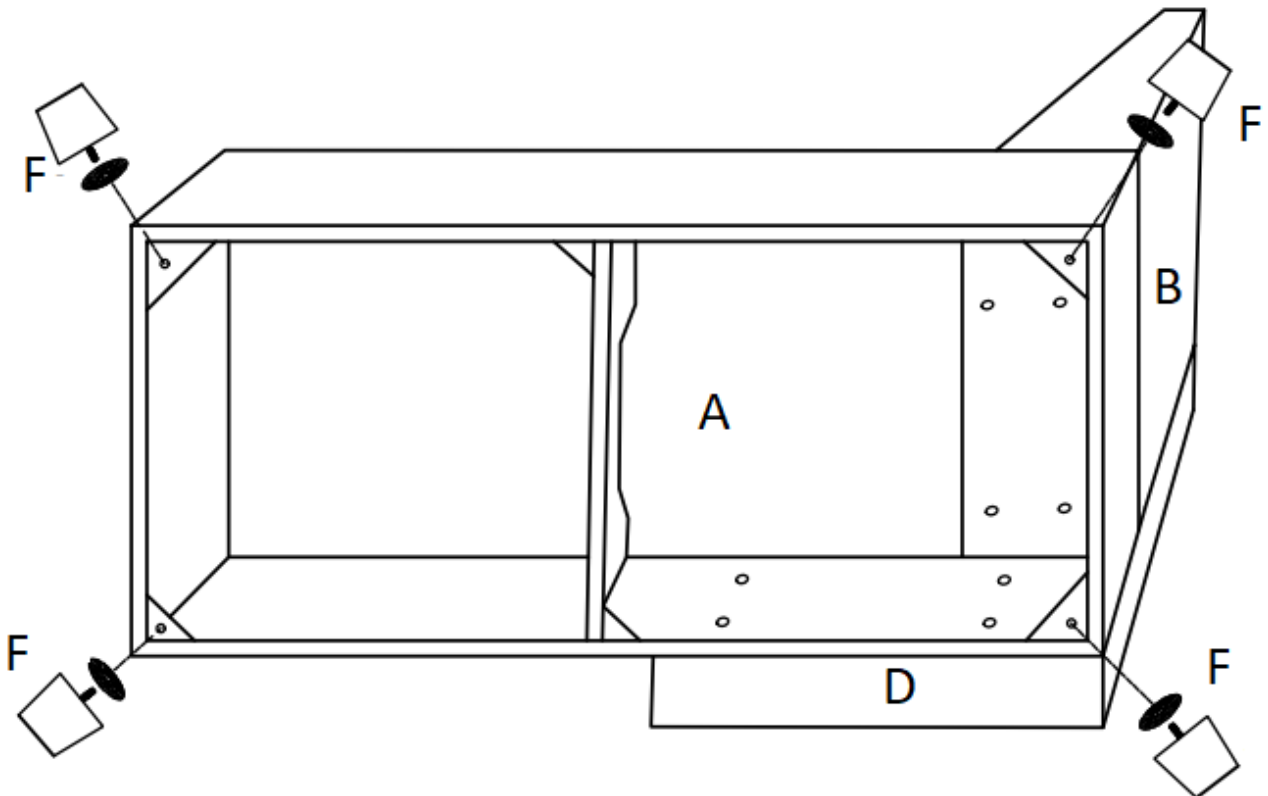
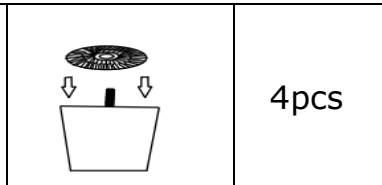


DIAGRAM 9 (Assemble the Link Brackets (5) if you want to link your chairs together)

Attach the Link Brackets (5) to the Seat Frames, using Screws (6) and Flat washers (7) then tighten by Screw Driver (not included)

5		6pcs
6		12pcs
7	 1/4 x 16	12pcs

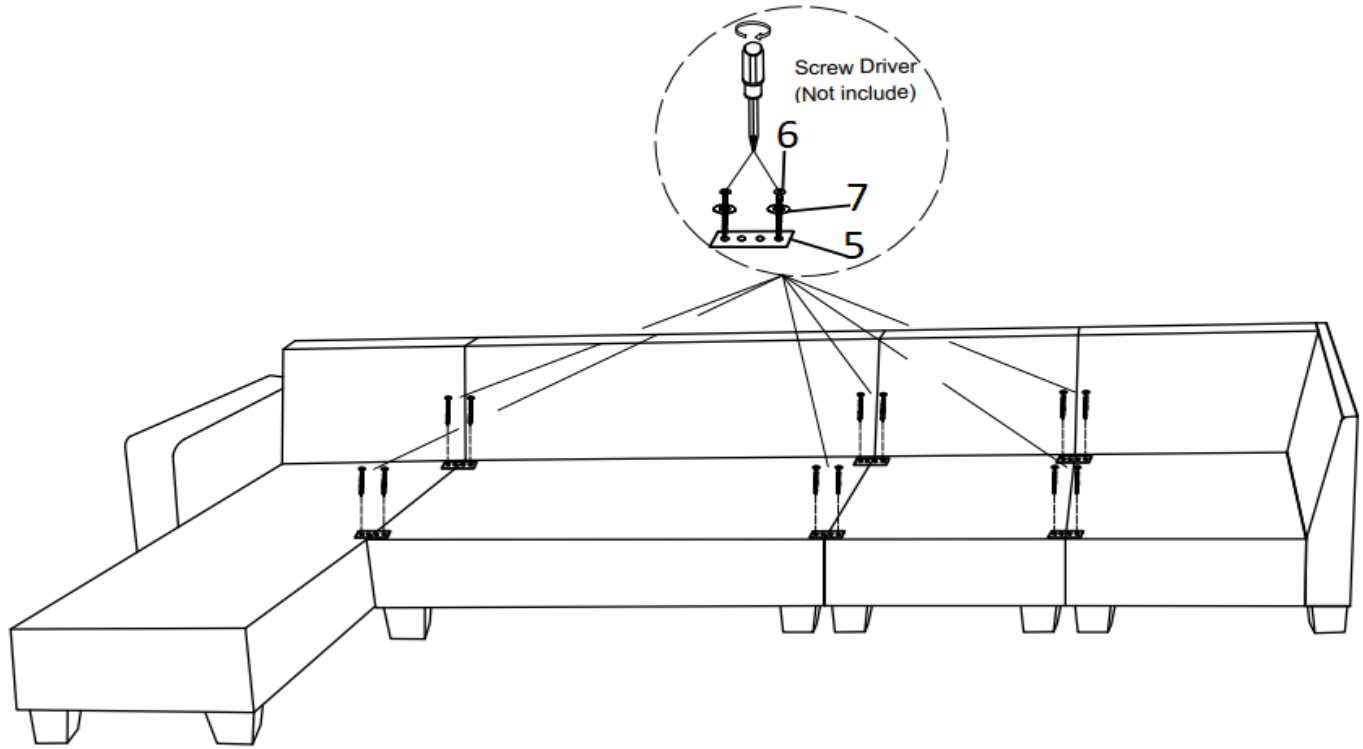


DIAGRAM 10 (Removal of compression bags)

Remove all the Seat Cushion (I, L, P, C) bags as shown below:

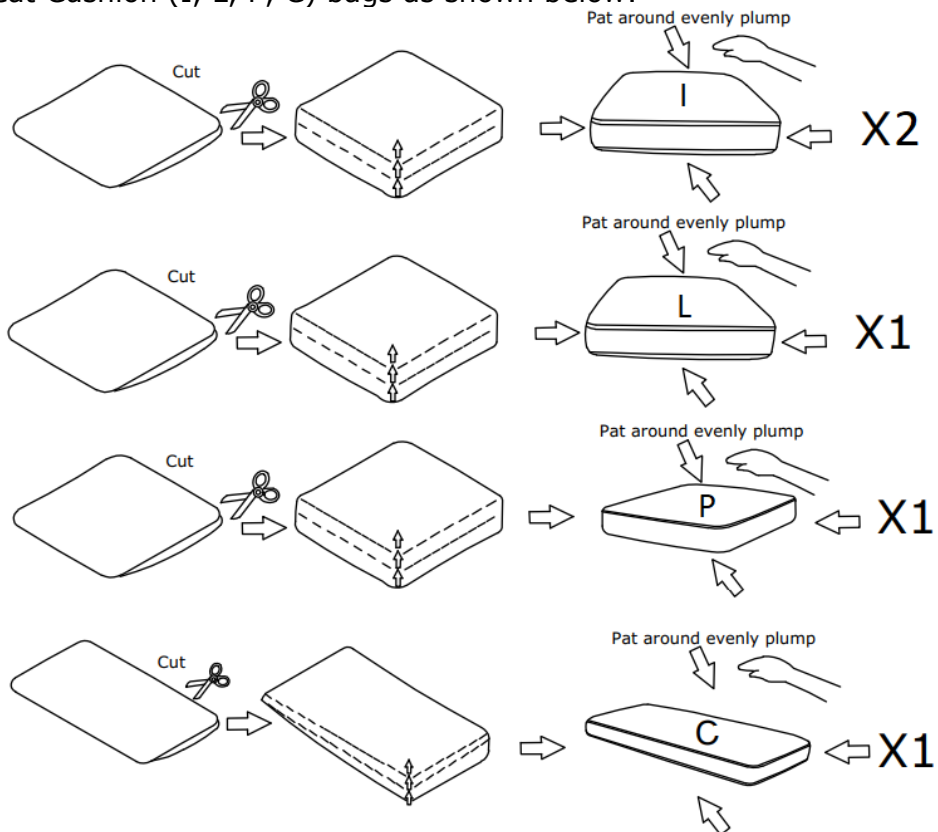
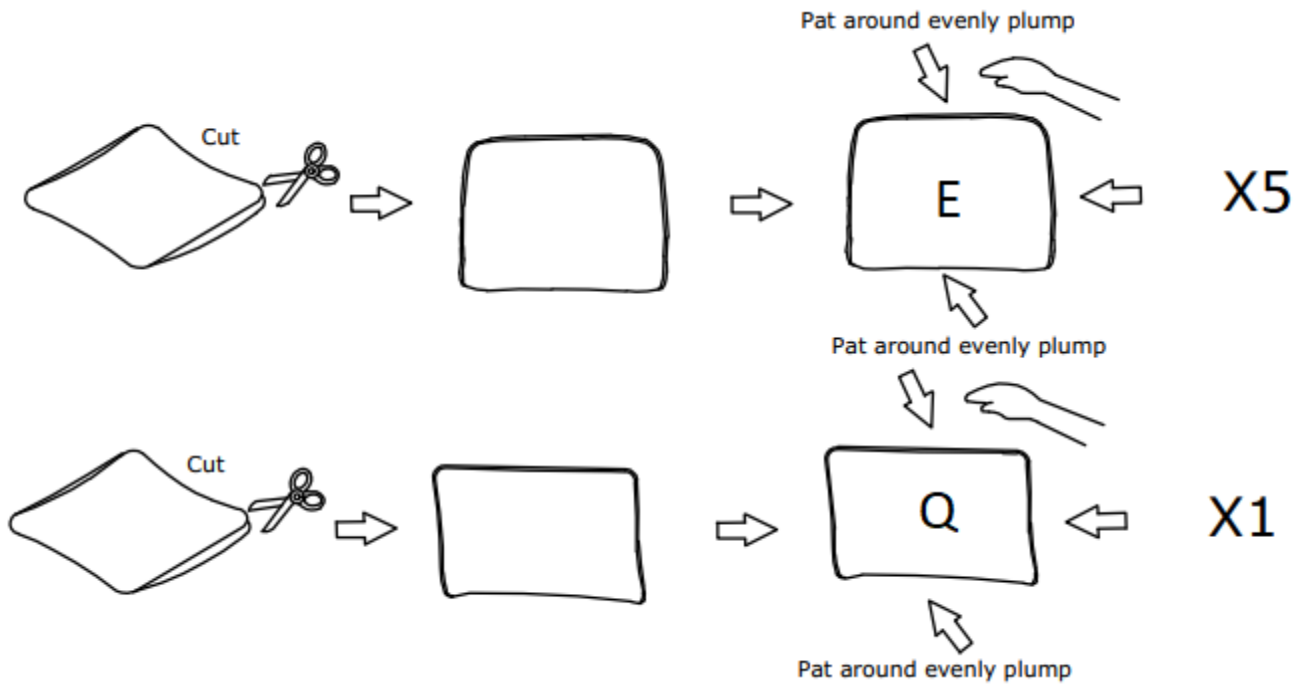


DIAGRAM 11 (Removal of compression bags)

Remove Back Cushions (E) bags and Side Cushion (Q) bag as shown below:



TIPS:

1. Please do not open the compressed packages until your sofa frame is completely assembled.
2. Compressed back cushions and pillows need to be fully fulfilled within 72 hours for your perfect use.
3. Please keep children away from plastic bags or any small pieces of stuff.

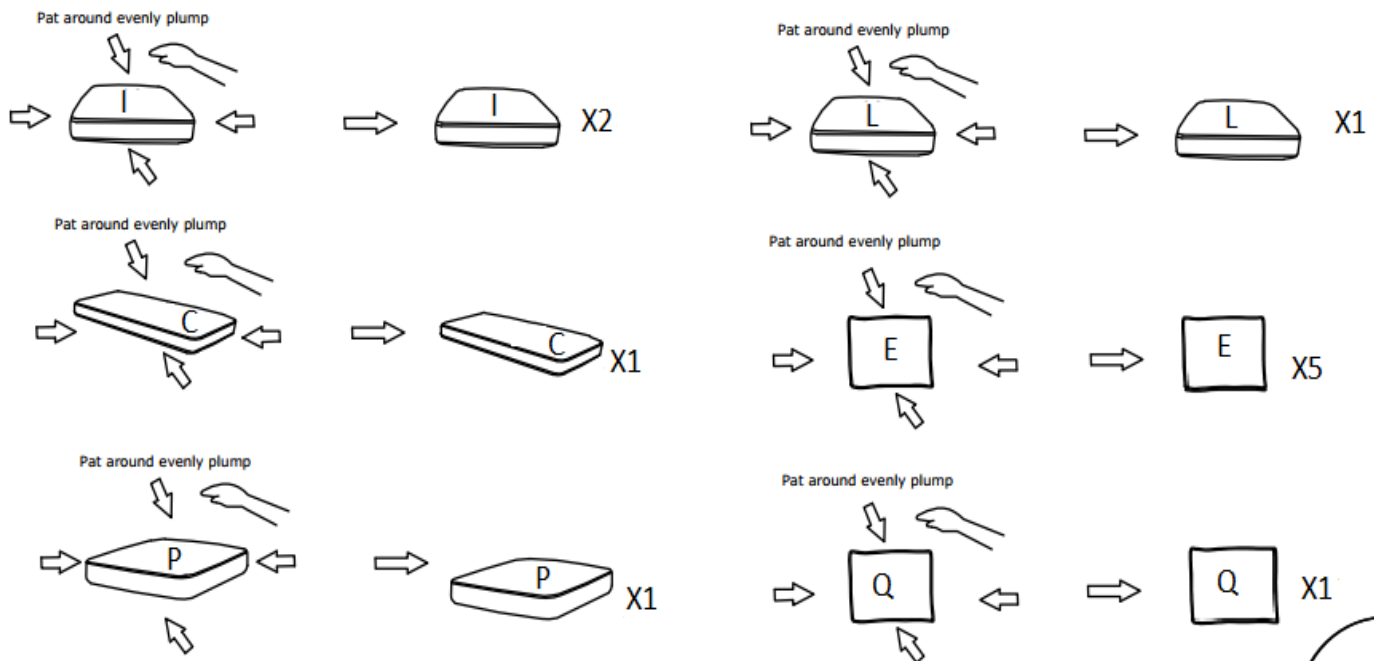


DIAGRAM 12 (Place all the Seat cushions on the sofa)

Put all the Seat cushions (C, I, L, P) on the Seat frames (A, G, J, M) correspondingly.
Recheck all the bolts before you sit on the sofa.

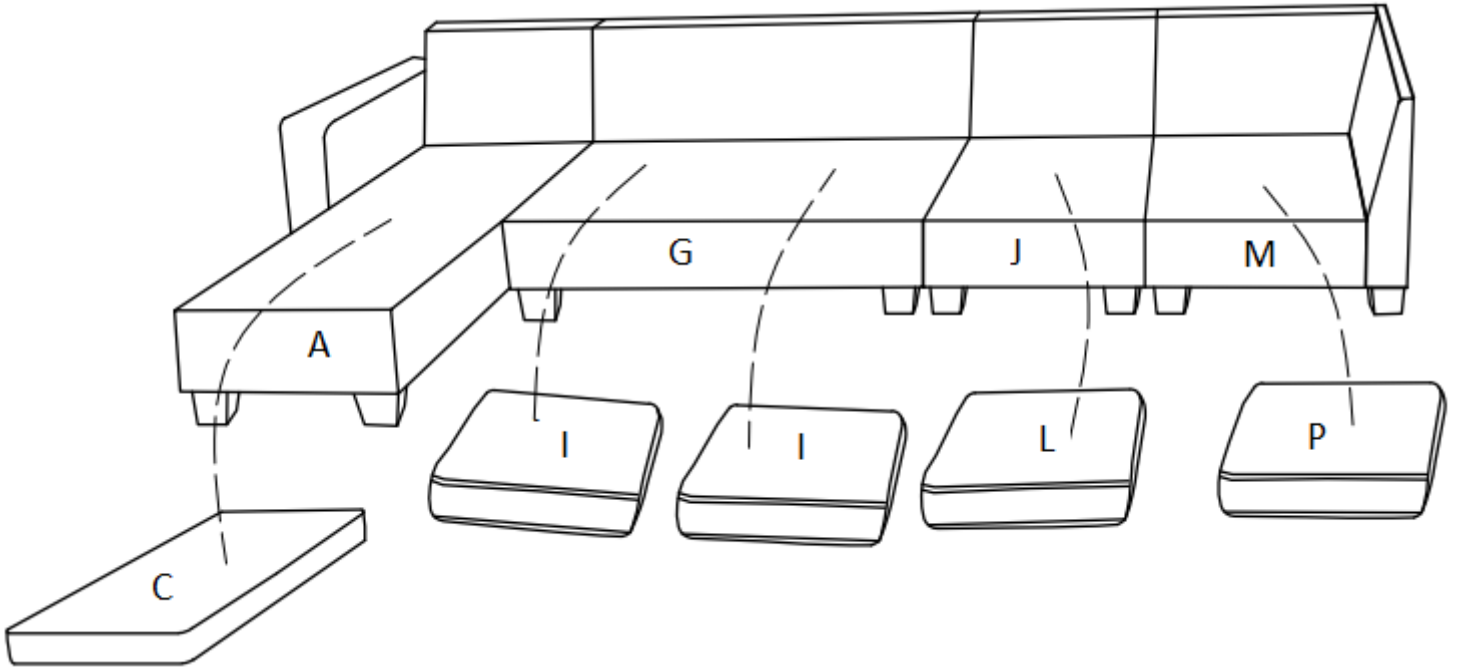
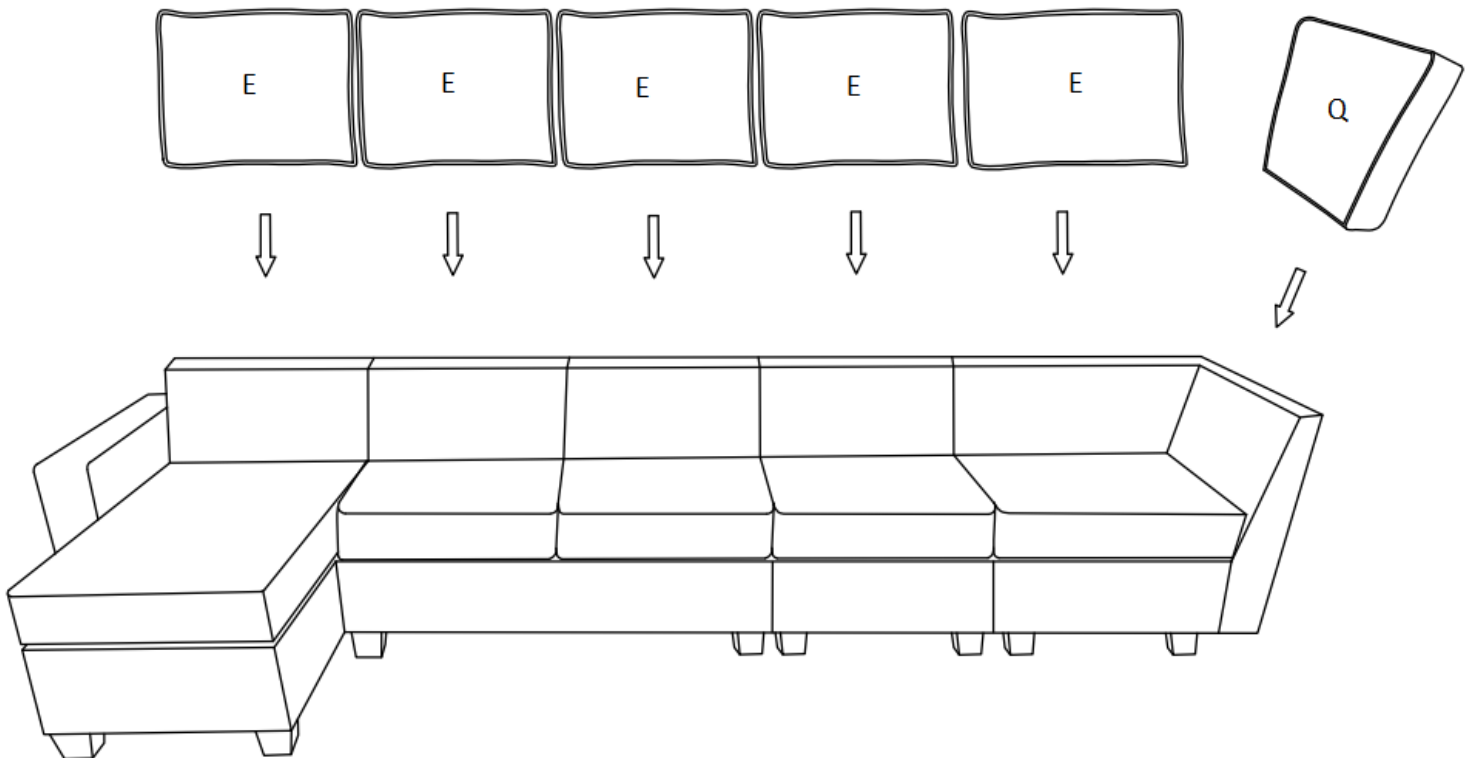


DIAGRAM 13 (Place all the Back cushions on the sofa)

Put all the Back Cushions (E) and Side cushion (Q) on the sofa correspondingly as shown below:



TIPS:

1. Please do not open the compress packaging until your sofa frame is completely assembled.
2. Compress back cushions and pillows need to be fully fulfilled within 72 hours for your perfect use.
3. Please keep children away from plastic bags or any small pieces of stuff.

