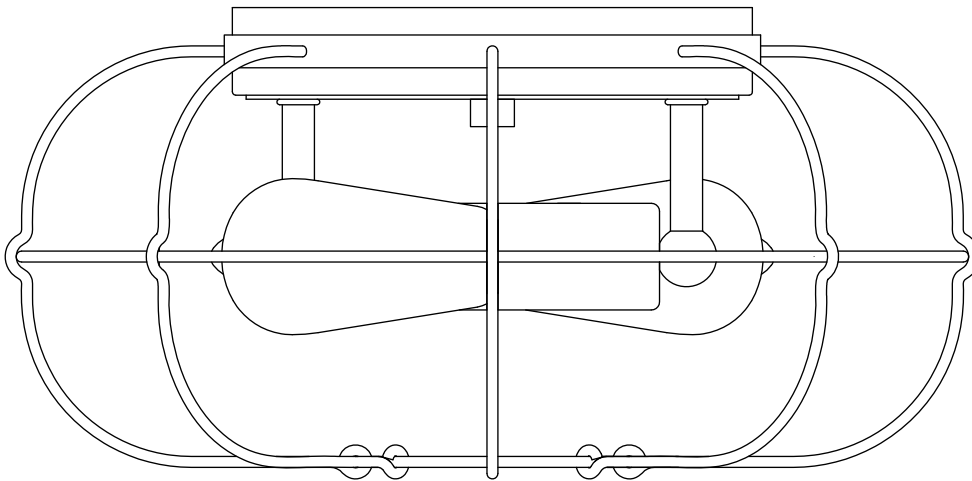




Model #AR-8001

USE AND CARE GUIDE

2-LIGHT FLUSHMOUNT



Questions, problems, missing parts?

Contact Customer Service by e-mail at

Support@Arranmorelighting.com

THANK YOU

We appreciate the trust and confidence you have placed in Arranmore Lighting Company, LLC through the purchase of this light fixture. We strive to continually create quality products designed to enhance your home. Visit us on-line at <https://arranmorelighting.com> to see our full line of products available for your home improvement needs.


Thank you for choosing Arranmore!


Table of Contents


Table of Contents.....2
Safety Information.....2
Warranty3
Pre-Installation4
Installation5
Care and Maintenance7
Troubleshooting7


Safety Information

Read and understand this entire manual before you attempt to assemble, install, or operate this product.

 **WARNING:** Read instructions carefully and turn off the electricity at the main circuit breaker panel before you begin this installation.

 **WARNING:** If any special control devices are used with this fixture, follow the instructions carefully to assure full compliance with N.E.C. requirements. If there are any questions, contact a qualified electrical contractor.

 **WARNING:** Risk of fire. 90°C supply conductors. Consult a qualified electrician to ensure the correct branch circuit conductor.

 **CAUTION:** All glass is fragile. Use care when handling glass shades and bulbs.

Warranty

The manufacturer warrants this lighting fixture to be free from defects in materials and workmanship for a period of three (3) years from the date of purchase. This warranty applies only to the original consumer purchaser and only to products used in normal use and service. If this product is found to be defective, the manufacturer's only obligation, and your exclusive remedy, is the repair or replacement of the product at the manufacturer's discretion, provided that the product has not been damaged through misuse, abuse, accident, modifications, alterations, neglect, or mishandling. This warranty shall not apply to any product that is found to have been improperly installed, set-up, or used in any way not in accordance with the instructions supplied with the product. This warranty shall not apply to a failure of material or workmanship. This warranty shall not apply to the finish on any portion of the product, such as surface and/or weathering, as this is considered normal wear and tear. The manufacturer does not warrant and specially disclaims any warranty, whether express or implied, of fitness for a particular purpose, other than the warranty contained herein. The manufacturer specifically disclaims any liability and shall not be liable for any consequential or incidental loss or damage, including but not limited to any labor / expense costs involved in the replacement or repair of said product.

Contact the Customer Service Team at Support@Arranmorelighting.com.

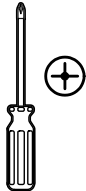
Pre-Installation

PLANNING INSTALLATION

Before beginning installation, make sure all parts are included using the Hardware Included and Package Contents sections. If any part is missing or damaged, do not attempt to assemble, install, or operate the product.

To avoid damaging this product, place it on a soft, non-abrasive surface, such as carpet or cardboard.

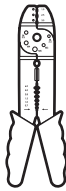
TOOLS REQUIRED



Phillips screwdriver



Pliers



Wire stripper



Safety glasses



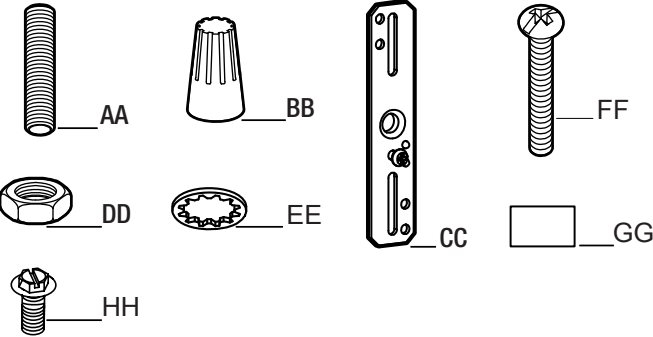
Electrical tape



Ladder

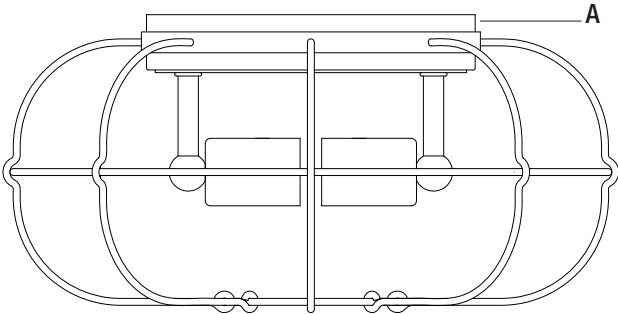
HARDWARE INCLUDED

 **NOTE:** Hardware not shown to actual size.



Pre-Installation (continued)

PACKAGE CONTENTS



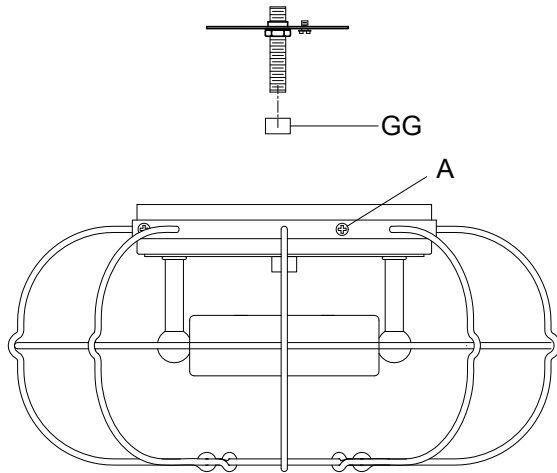
Part	Description	Quantity
AA	Nipple, 1/8 IP	1
BB	Wire Nut	3
CC	Mounting strap, 1/8 IP	1
DD	Hex nut, 1/8 IP	1
EE	lock washer	1
FF	#8-32 Screw	2
GG	Cylindrical nut	1
HH	Green Ground Screw	1

Part	Description	Quantity
A	Light fixture	1

Installation

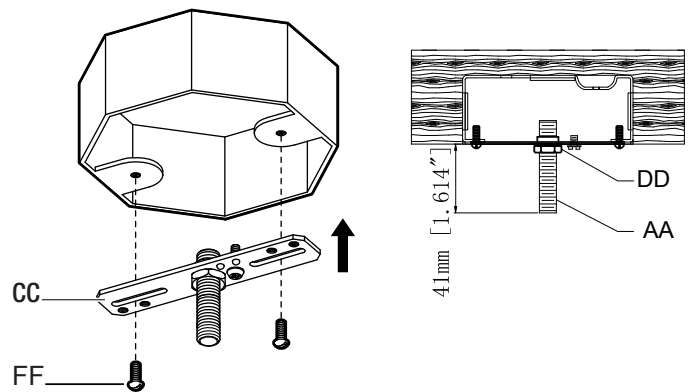
1 Preparing the mounting strap

- Remove the cylindrical nut (GG) and keep it for subsequent installation.
- The fixture (A) may become loose during transportation. Check to make sure the four screws on the outer frame are securely tight.



2 Installing the mounting strap

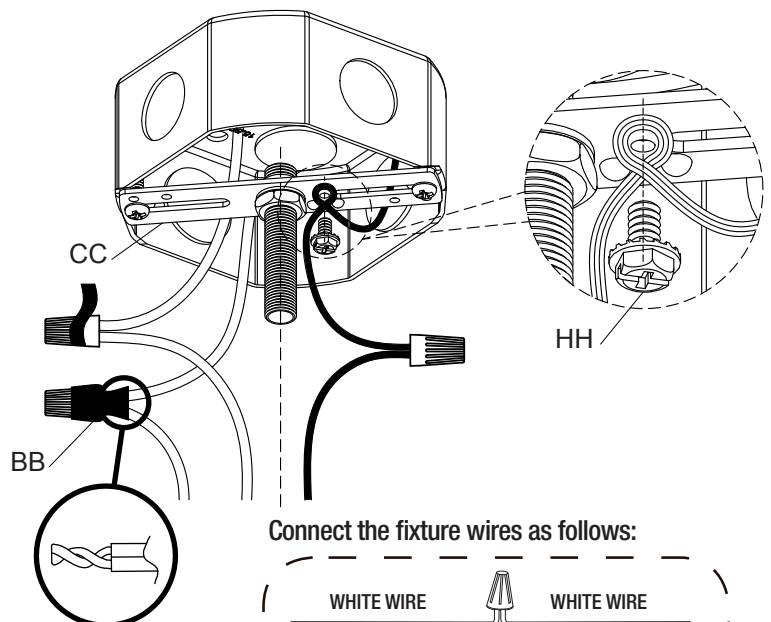
- Install the mounting strap (CC) to the junction box using the screws (FF)
- Adjust the exposed length of the nipple (AA) to about 41mm according to the actual installation requirements.
- The Hex Nut (DD) is a stopper to prevent the nipple (AA) from moving up during installation.



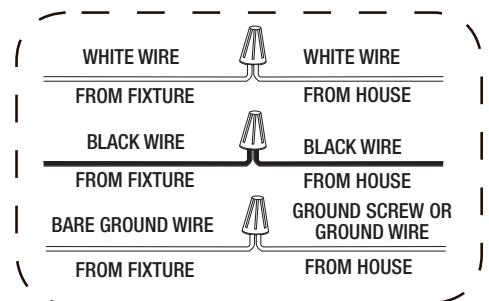
3 Connecting the wires

 **NOTE:** Always use Wire Nut (BB) to connect wires and push all excess wires and connections back into the junction box.

- Using wire nut (BB), connect the white fixture wire to the white (neutral) supply wire from the junction box. Then connect the black fixture wire to the black (live) supply wire from the junction box.
- Connect the ground wire from the junction box and the ground wire from the fixture to the ground screw (HH) on the mounting plate (CC). Tighten the ground screw (HH) to secure both ground wires to the mounting plate (CC).
- Wrap electrical tape (not included) around the wire nut (BB), and ensure they are secure. Then push all wire connections into the outlet box).



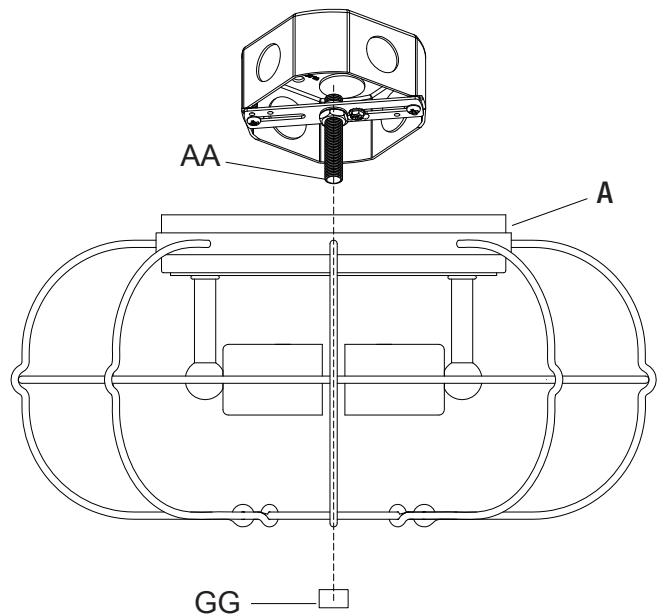
Connect the fixture wires as follows:



Installation (continued)

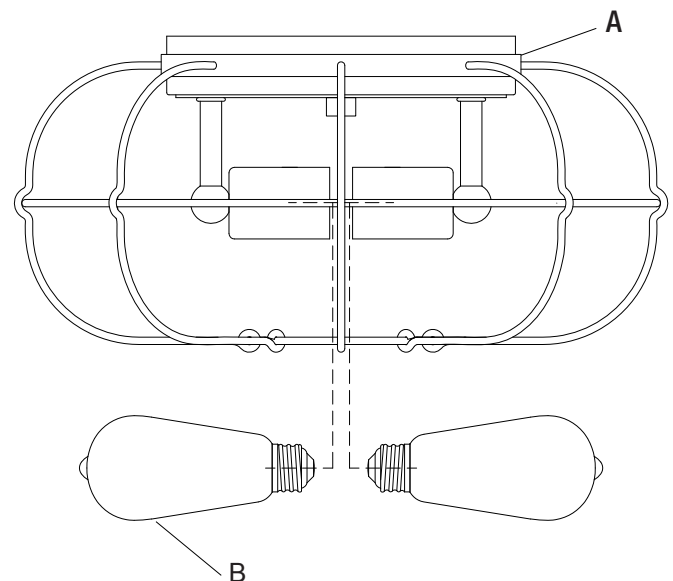
4 Installing the fixture

- Push all excess wires into the junction box.
- Place the fixture (A) on the ceiling by aligning the holes in the fixture (A) with the mounting nipple (AA).
- Push the fixture (A) against the ceiling and secure it by screwing the Cylindrical nut (GG) onto the mounting nipple (AA).



5 Installing the bulbs

- Screw the bulbs (B) into the fixture sockets. This fixture uses 60-watt MAX, incandescent, medium-base, E26 A19 or ST19 or ST58 bulbs (not provided). Ensure that you do not exceed the recommended wattage of 60 watts per bulb.



Care and Maintenance



WARNING: Before you perform any cleaning or maintenance work, turn off the electricity at the main circuit breaker panel.

- Wipe the fixture with a damp, soft cloth. Do not use any abrasive cleaners or cleaners that contain alcohol.
- When replacing bulbs, use 60-watt MAX, incandescent, medium-base, SBCFL or SBLED bulbs.

Troubleshooting

Problem	Possible Cause	Solution
The light will not turn on.	A bulb is burned out.	Replace the bulb.
	The power is off.	Ensure the power supply is on.
	There is a faulty wire connection.	Check the wiring. Contact a qualified and licensed electrician if you are not comfortable troubleshooting wiring problems.
	There is a faulty switch.	Test or replace the switch.
The fuse blows or the circuit breaker trips when the light is turned on.	There are crossed wires or the power wire is grounding out.	Discontinue use of the fixture. Check the wire connections or contact a qualified electrician.



ARRANMORE

LIGHTING & FANS

Questions, problems, missing parts?

Contact Customer Service

e-mail us at

Support@Arranmorelighting.com

Retain this manual for future use.