

# INSTALLATION INSTRUCTION

## Linear Channels

LED-T-CH, LED-T-CH1, LED-T-CH2, LED-T-CH3

### SAFETY INSTRUCTION

IMPORTANT: NEVER attempt any work without shutting off the electricity.

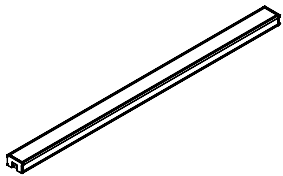
- Read all instructions before installing.
- Always turn off power at fuse box prior to installation to prevent electrical shock.
- Intended for indoor use. Dry and damp locations.
- For installation by a qualified electrician.
- System is intended for installation by accordance with National Electric Code, and local regulations.

### Instruction de sécurité

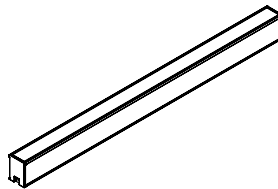
IMPORTANT: NE JAMAIS tenter tout travail sans couper l'électricité.

- Lisez toutes les instructions avant d'installer.
- Toujours couper l'alimentation électrique à la boîte à fusibles avant l'installation pour éviter les chocs électriques.
- Destiné à une utilisation en intérieur. endroits secs et humides.
- Pour l'installation par un électricien qualifié.
- Le système est destiné à être installé conformément au Code national de l'électricité, et les réglementations locales.
- Consultez l'inspecteur local pour assurer la conformité.

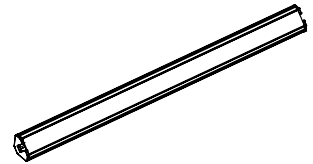
### THIS INSTRUCTION SHEET APPLIES TO THE MODEL(S) BELOW



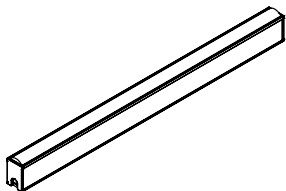
**LED-T-CH**



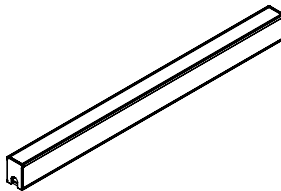
**LED-T-CH1**



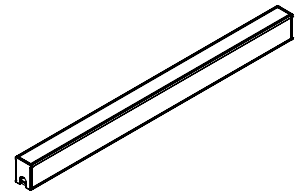
**LED-T-CH2**



**LED-T-CH3-SP**



**LED-T-CH3-FL**



**LED-T-CH3-WF**

# INSTALLATION INSTRUCTION

## Linear Channels

LED-T-CH, LED-T-CH1, LED-T-CH2, LED-T-CH3

# WAC LIGHTING

### INSTALLATIONS:

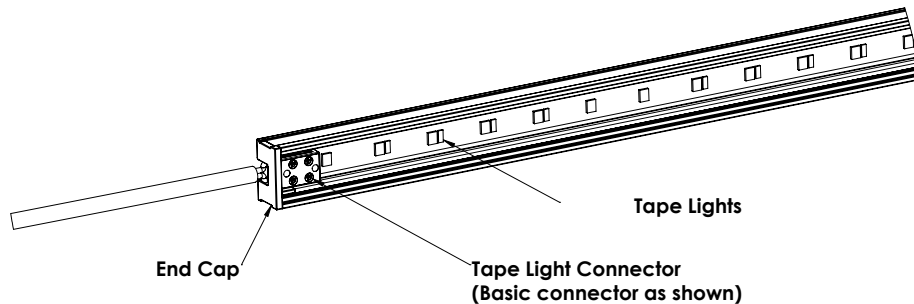
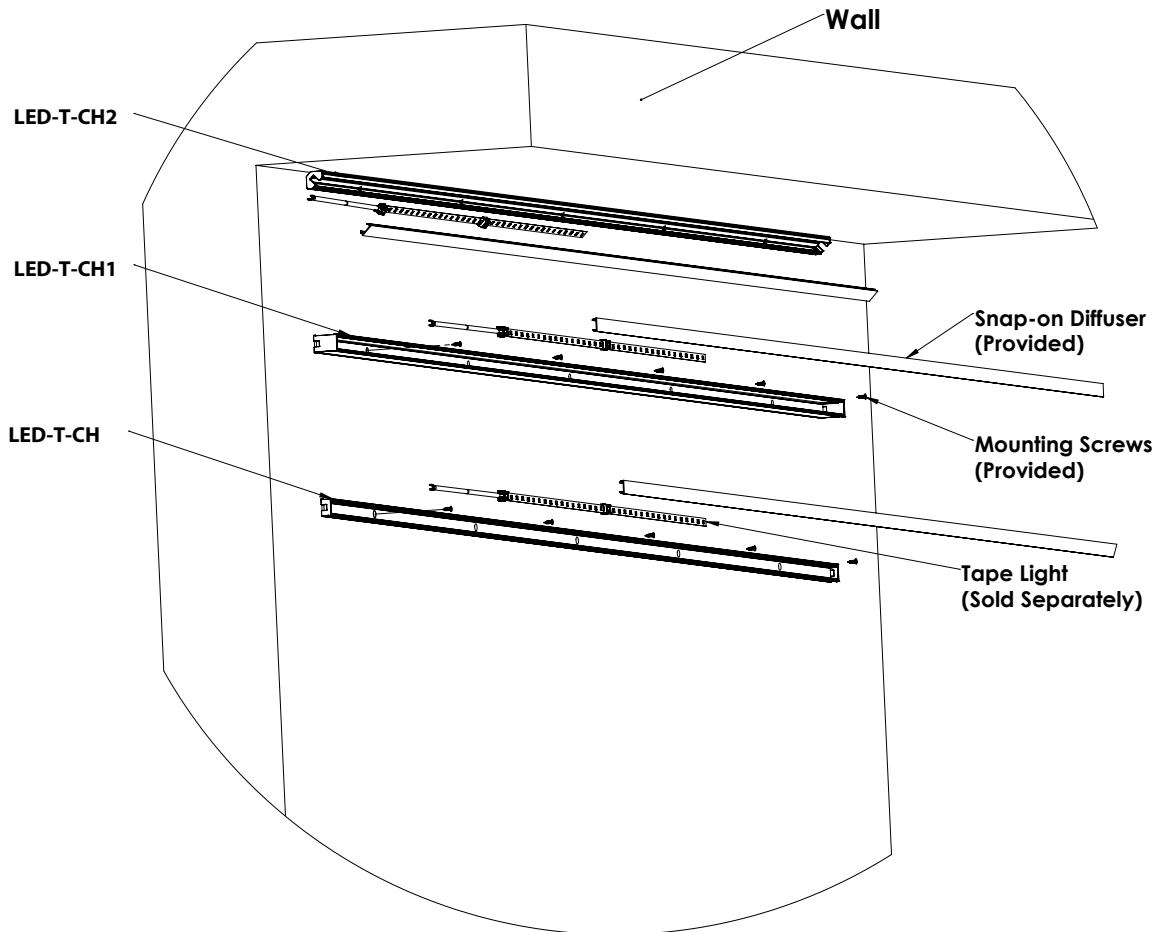
#### DIRECT MOUNTING:

**STEP 1:** Remove the Diffuser from the channels by hand.

**STEP 2:** Use the self-taping Mounting Screws to mount the channels directly to the wall or ceiling.

**STEP 3:** Peel off the protective film in the back of the adhesive on the tape light and gently stick the tape on the channel by hand. Make sure the tape connector is kept inside the endcaps of the channels. Power and test the tape lights.

**STEP 4:** Snap the Diffuser back onto the channel gently by hand.



## Linear Channels

LED-T-CH, LED-T-CH1, LED-T-CH2, LED-T-CH3

### ADJUSTABLE MOUNTING:

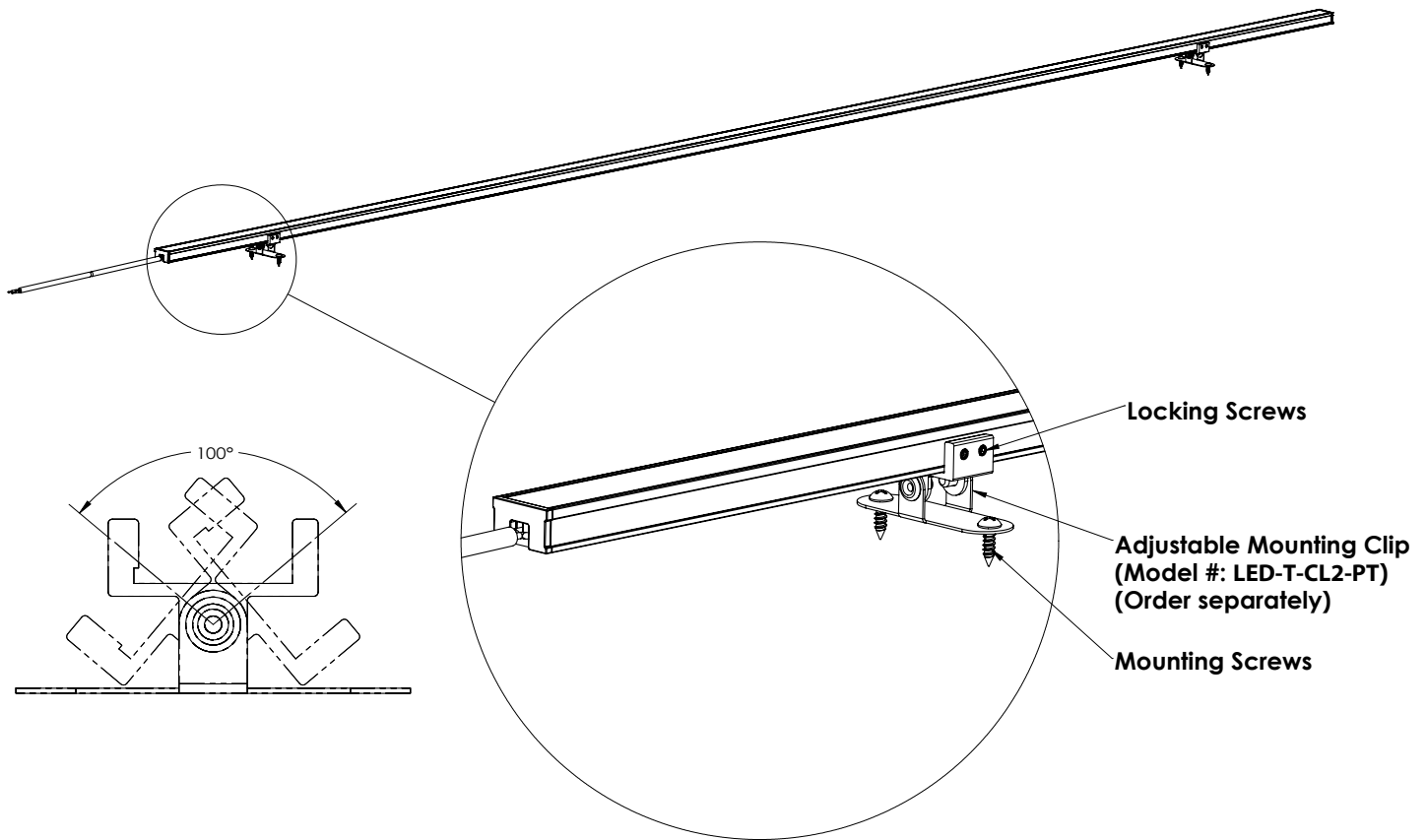
**STEP 1:** Remove the Diffuser from the channels.

**STEP 2:** Peel off the protective film in the back of the adhesive on the tape light and gently stick the tape on the channel by hand. Make sure the tape connector is kept inside the endcaps of the channels. Power and test the tape lights.

**STEP 3:** Snap the Diffuser back onto the channel gently by hand.

**STEP 4:** Mount the Adjustable Mounting Clips at both ends of the channel and secure them by the Locking screws.

**STEP 5:** Mount the whole assembly onto the wall or ceiling by using the self-taping Mounting Screws.



## Linear Channels

LED-T-CH, LED-T-CH1, LED-T-CH2, LED-T-CH3

### STATIONARY MOUNTING:

**STEP 1:** Remove the Diffuser from the channels.

**STEP 2:** Peel off the protective film in the back of the adhesive on the tape light and gently stick the tape on the channel by hand. Make sure the tape connector is kept inside the endcaps of the channels. Power and test the tape lights.

**STEP 3:** Snap the Diffuser back onto the channel gently by hand.

**STEP 4:** Mount the Mounting Clips at both ends of the channel and secure them by the Locking screws.

**STEP 5:** Mount the whole assembly onto the wall or ceiling by using the self-taping Mounting Screws.

