

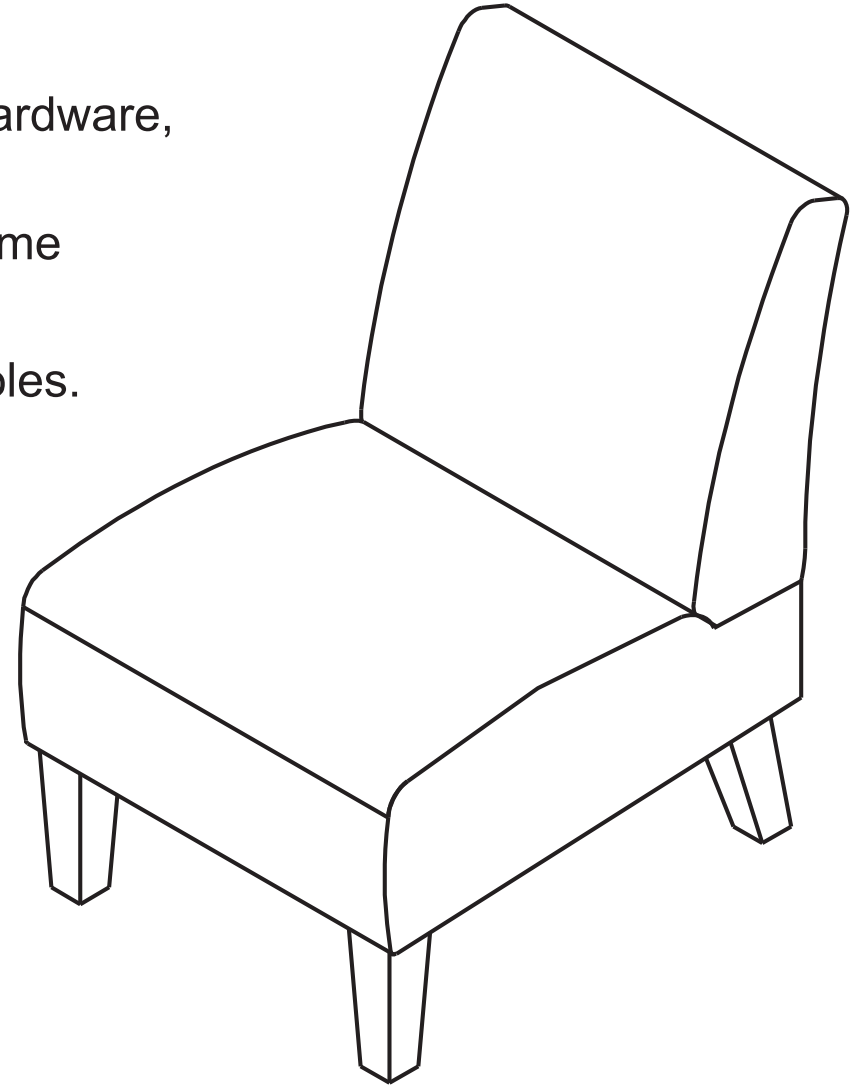
Assembly Instructions

⚠ Before you throw the package, please ensure that you have all the parts needed for the assembly.

⚠ **Hardware Note:**
1. Please **do not completely tighten** all the hardware, turn the bolts about **50%** by hand according to the AI step by step. Then adjust 4 legs when they are at same height, tighten all the bolts completely at last.
2. All the bolts should be assembled **vertically** to the holes.

⚠ Back can be found in the **bottom** of seat.

⚠ **Spare parts** can be found in the hardware box if you do not have enough parts to assemble.



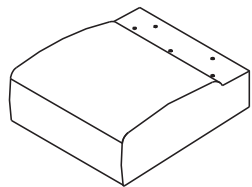
⚠ THIS INSTRUCTION BOOKLET CONTAINS IMPORTANT SAFETY INFORMATION. PLEASE READ AND KEEP FOR FUTURE REFERENCE.

Assembly Instructions

Parts and Hardware

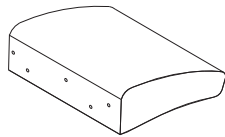
Please check to make sure all parts and hardware before starting assembly process.

Ⓐ



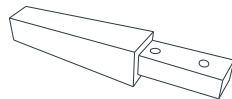
Seat
1pc*2

Ⓑ



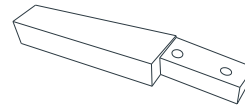
Back
1pc*2

Ⓒ



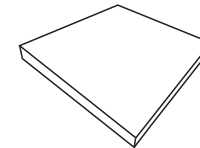
Front leg
2pcs*2

Ⓓ



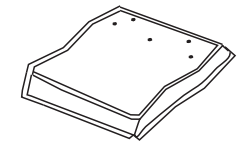
Back leg
2pcs*2

Ⓔ



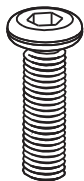
Seat cushion
1pc*2

Ⓕ



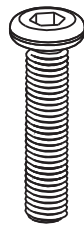
Fabric cover
1pc*2

①



L 2in
8pcs*2

②



L 2.75in
5pcs*2

③



Flat washer
13pcs*2

④



Spring washer
13pcs*2



Wrench
1pc

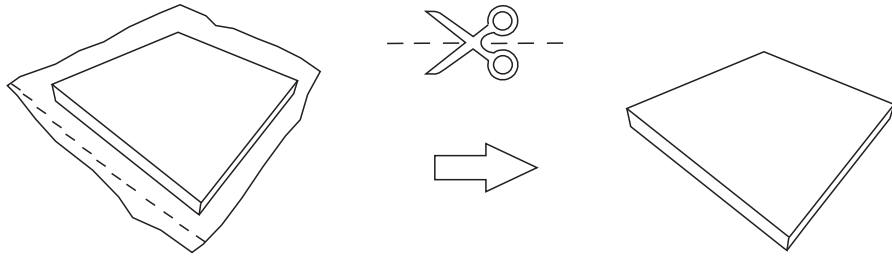
Assembly Instructions

Assembly Instruction

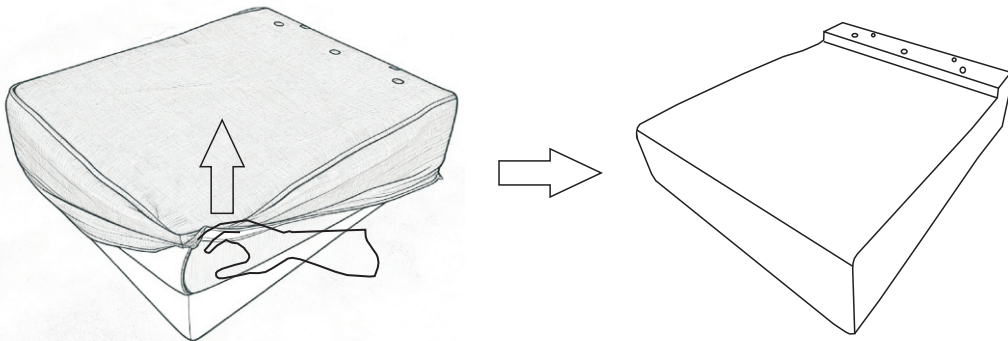
Please read and understand all assembly instructions before beginning assembly process.
Do not tighten any single bolt until all bolts in holes on each step

Step 1: Take out back, legs and compressed bag from the inner side of seat frame.

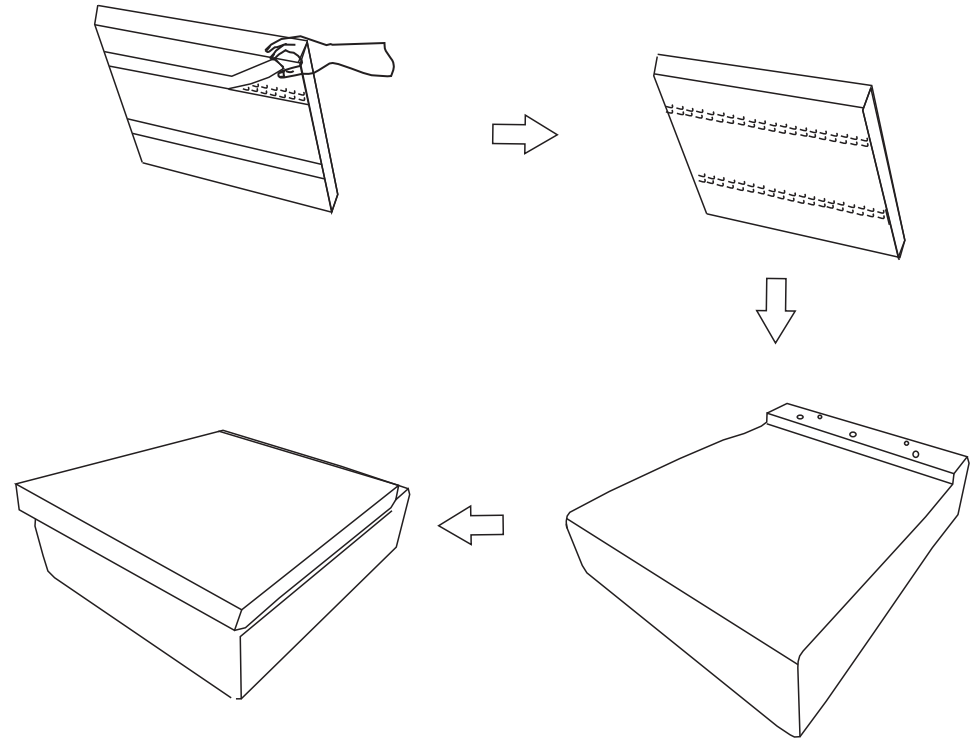
! Cut open the compressed plastic bag by scissors and take out the seat cushion. Pat it a few times by hand to speed up the cushion's recovery. Then stick the cushion flat onto the seat frame with Velcro.



! Remove the fabric cover from the seat frame.



Step 2: Stick the cushion flat onto the seat frame with Velcro.



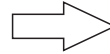
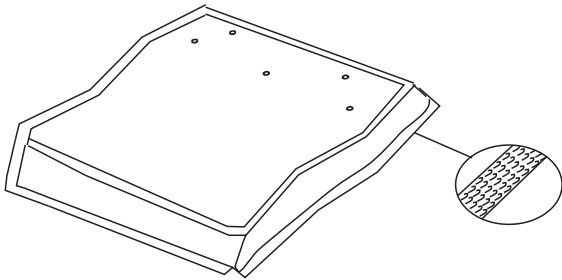
Assembly Instructions

Assembly Instruction

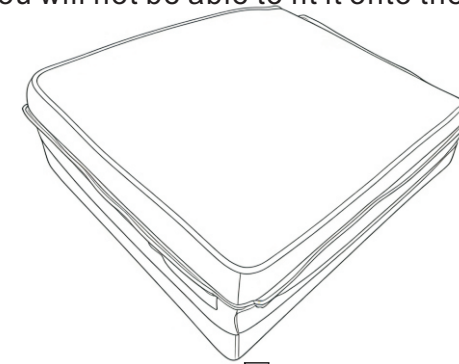
Please read and understand all assembly instructions before beginning assembly process.
Do not tighten any single bolt until all bolts in holes on each step

Step 3: Put the fabric cover onto the seat frame.

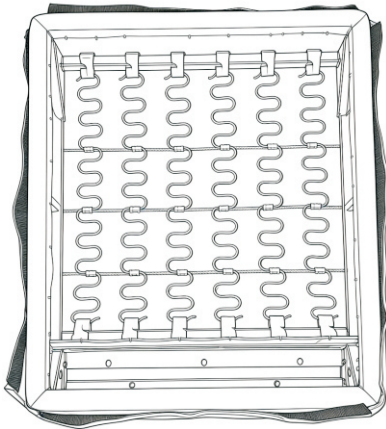
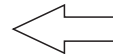
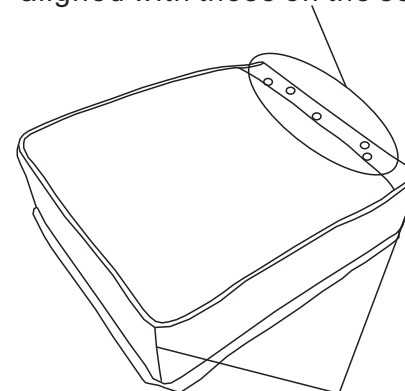
! There is velcro on the four lower inner sides of the cloth cover.



! Please make sure that all four corners of the cover are first fitted onto the seat frame up to half its height, otherwise you will not be able to fit it onto the seat smoothly.



! Please make sure that the holes on the fabric cover are aligned with those on the seat frame.



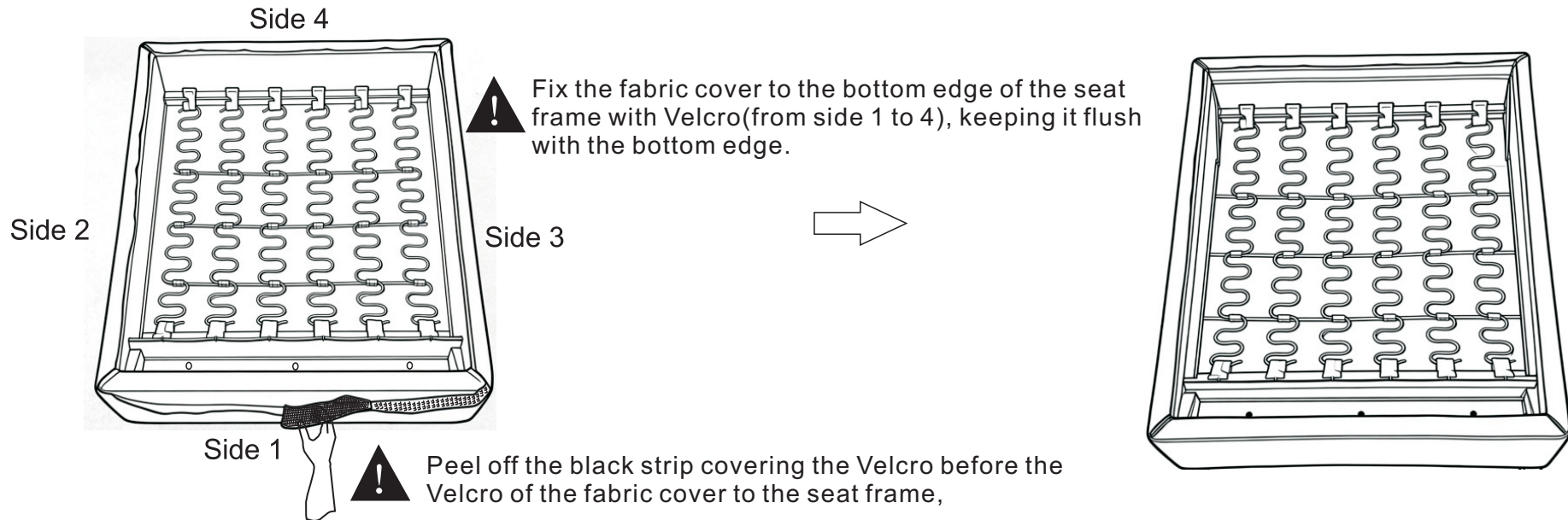
! Please make sure that seam lines at the four corners of the fabric cover are aligned with the four corners of seat frame.

Assembly Instructions

Assembly Instruction

Please read and understand all assembly instructions before beginning assembly process.
Do not tighten any single bolt until all bolts in holes on each step

Step 4: Fix the fabric cover to the seat frame with Velcro.

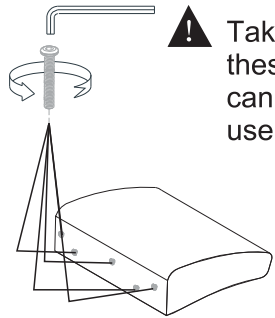


Assembly Instructions

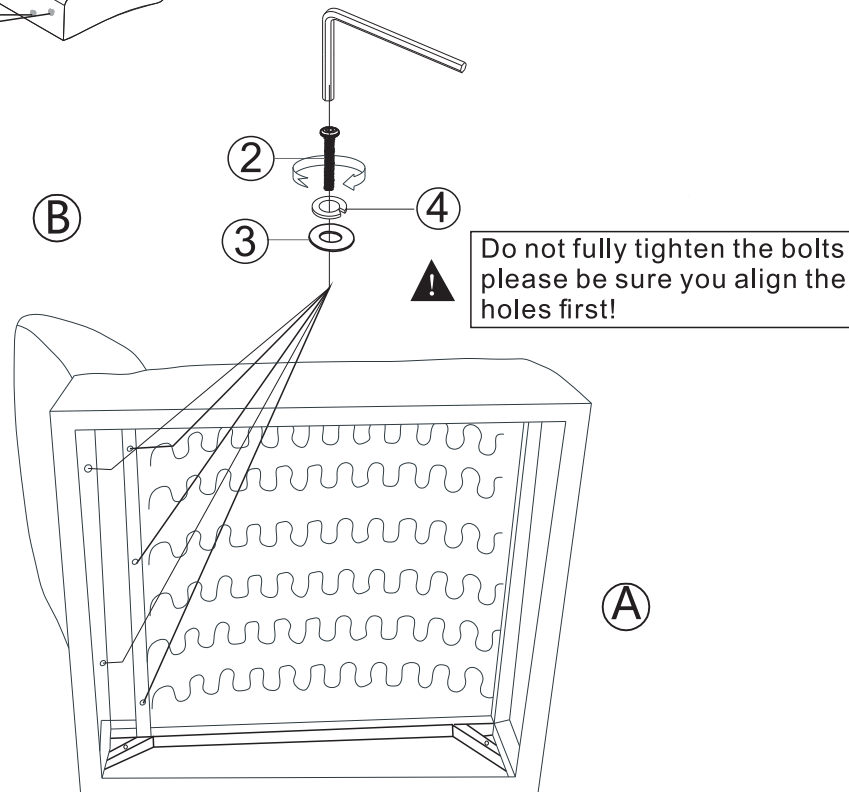
Assembly Instruction

Please read and understand all assembly instructions before beginning assembly process.
Do not tighten any single bolt until all bolts in holes on each step

Step 5: Assemble back to seat frame.



! Take the bolts off from the bottom of back, these bolts are used to protect the holes you can throw them away or keep them for possible use on other furniture in future.



Step 6: Assemble legs to the inner side of seat frame.

