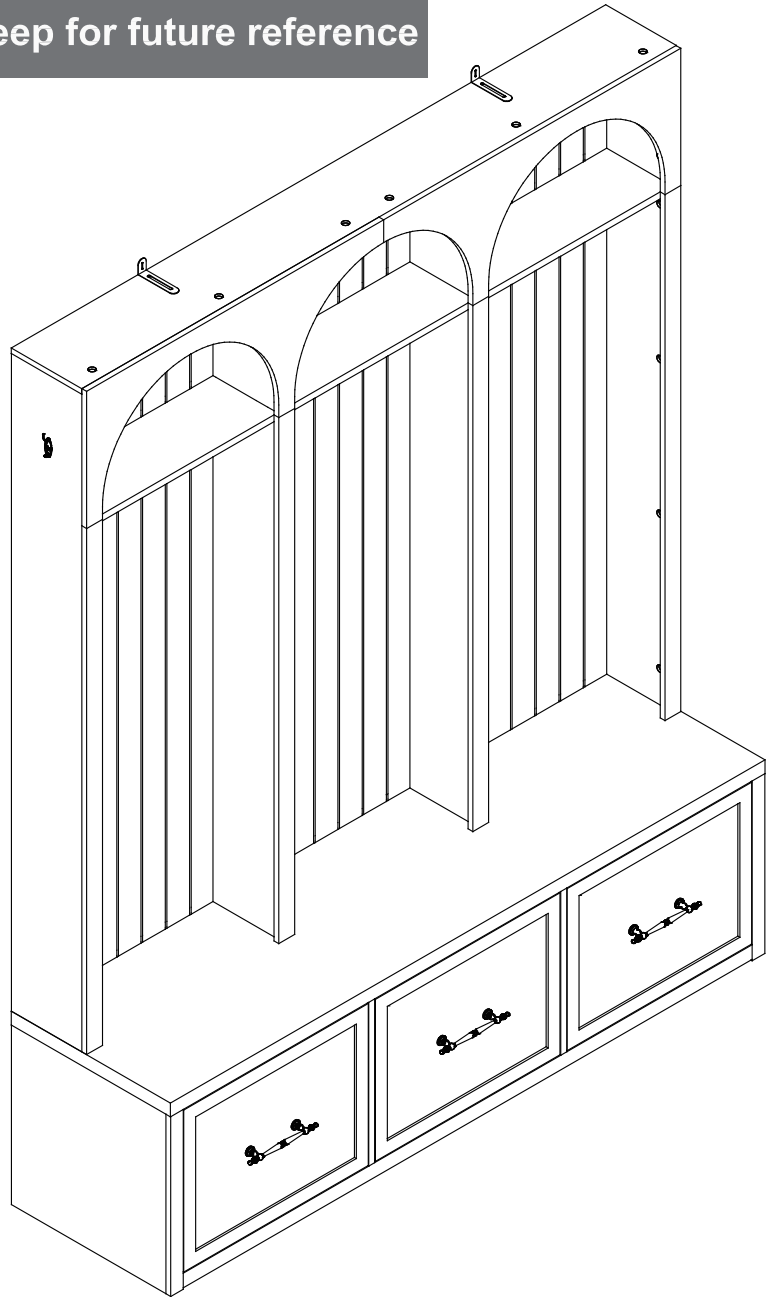


Hall Tree

Assembly Instructions - Please keep for future reference



Dimensions

Width- 59.05inch

Depth- 15.75inch

Height- 74.8inch



WARNING



This product is NOT a Clothing Storage Unit (CSU).
DO NOT use it for clothing storage.
Improper use may cause furniture tipover.

Important – Please read these instructions fully before starting assembly



Safety and Care Advice

Important – Please read these instructions fully before starting assembly

- Check you have all the components and tools listed on the following pages.
- Remove all fittings from the plastic bags and separate them into their groups.
- Keep children and animals away from the work area, small parts could choke if swallowed.
- Make sure you have enough space to layout the parts before starting.

- During assembly do not stand or put weight on the product, this could cause damage.
- Assemble the item as close to its final position (in the same room) as possible.
- Assemble on a soft level surface to avoid damaging the unit or your floor.
- Parts of the assembly will be easier with 2 people.



power drill is set on a low torque setting.

- To reduce the likelihood of damaging your product please ensure that your

Care and maintenance

- Only clean using a damp cloth and mild detergent, do not use bleach or abrasive cleaners.
- From time to time check that there are no loose screws on this unit.
- This product should not be discarded with household waste. Take to your local authority waste disposal centre.

Handy Hints

- Assemble all parts and bolts loosely during assembly, only once the product is complete should you fully tighten the bolts
- Regularly check and ensure That all bolts and fittings are tightend properly.

WARNING In order to help prevent overturning – please follow these instructions

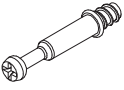


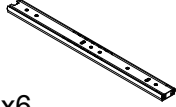

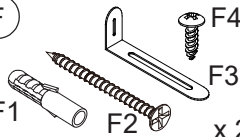

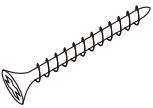

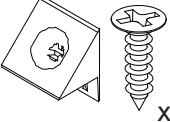
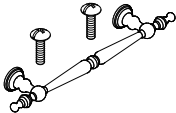

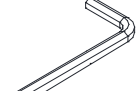
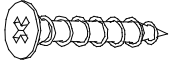


To help prevent product toppling over please follow the below steps:-

- Use the anti tip stap or wall fixing method provided (if applicable)
- Do not allow children to climb or hang on the furniture
- Do not open more than one drawer at a time
- Do not place heavy items in the top drawers
- Do not place heavy items on top of the furniture, unless the furniture has been designed for this purpose

Components - Fittings

Please check you have all the panels listed below

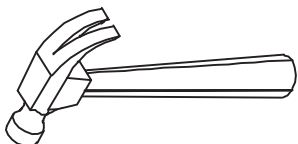
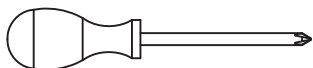
Note: The quantities below are the correct amount to complete the assembly. In some cases more fittings may be supplied than are required.

<p>(A) </p> <p>Cam Bolt x 104+2</p>	<p>(B) </p> <p>6*30mm Dowel x 69+2</p>	<p>(C) </p> <p>Cam lock x 104+2</p>	<p>(D) </p> <p>Slide x6</p>
<p>(E) </p> <p>3*12mm Screw x 24+2</p>	<p>(F) </p> <p>F1 F2 F3 F4 x 2set</p>	<p>(G) </p> <p>4*40mm Screw x 12+1</p>	<p>(H) </p> <p>4*30mm Screw x 12+1</p>
<p>(I) </p> <p>3.5*16mm Hook x 2set</p>	<p>(J) </p> <p>x 36set</p>	<p>(K) </p> <p>4*16mm Handle x 3set</p>	<p>(L) </p> <p>Light wood color x 28</p>
<p>(M) </p> <p>Allen key x 1</p>	<p>(N) </p> <p>4*25mm Screw x 4</p>	<p>(O) </p> <p>3.5*16mm Hook x 6set</p>	<p>(P) </p> <p>Perfect fit x 28</p>

Tools required Not Included



Phillips screwdriver
(medium & large)



Using Camlocks

Step 1

Connect the male camlock as directed in the assembly instructions using a screwdriver.

1

DO NOT OVER TIGHTEN.
NE PAS SERRER EXCESSIVEMENT.



Step 2

Push the male camlock into the entry hole.

2

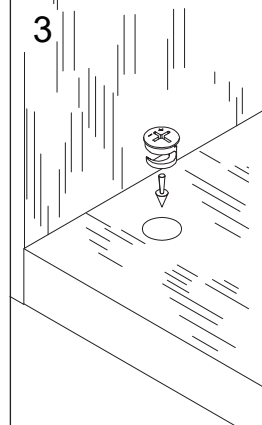


Step 3

Insert the female camlock as shown in the instruction.

Note: ensure that the arrow on the top of the camlock points towards the entry hole for the male camlock.

3



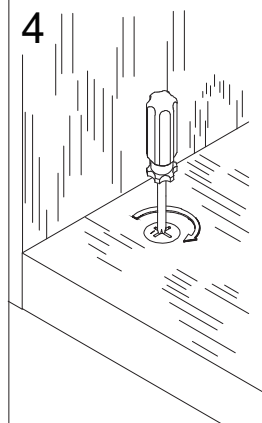
Step 4

Turn the female camlock clockwise with a screwdriver.

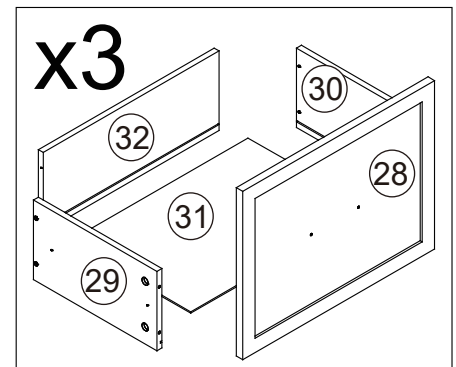
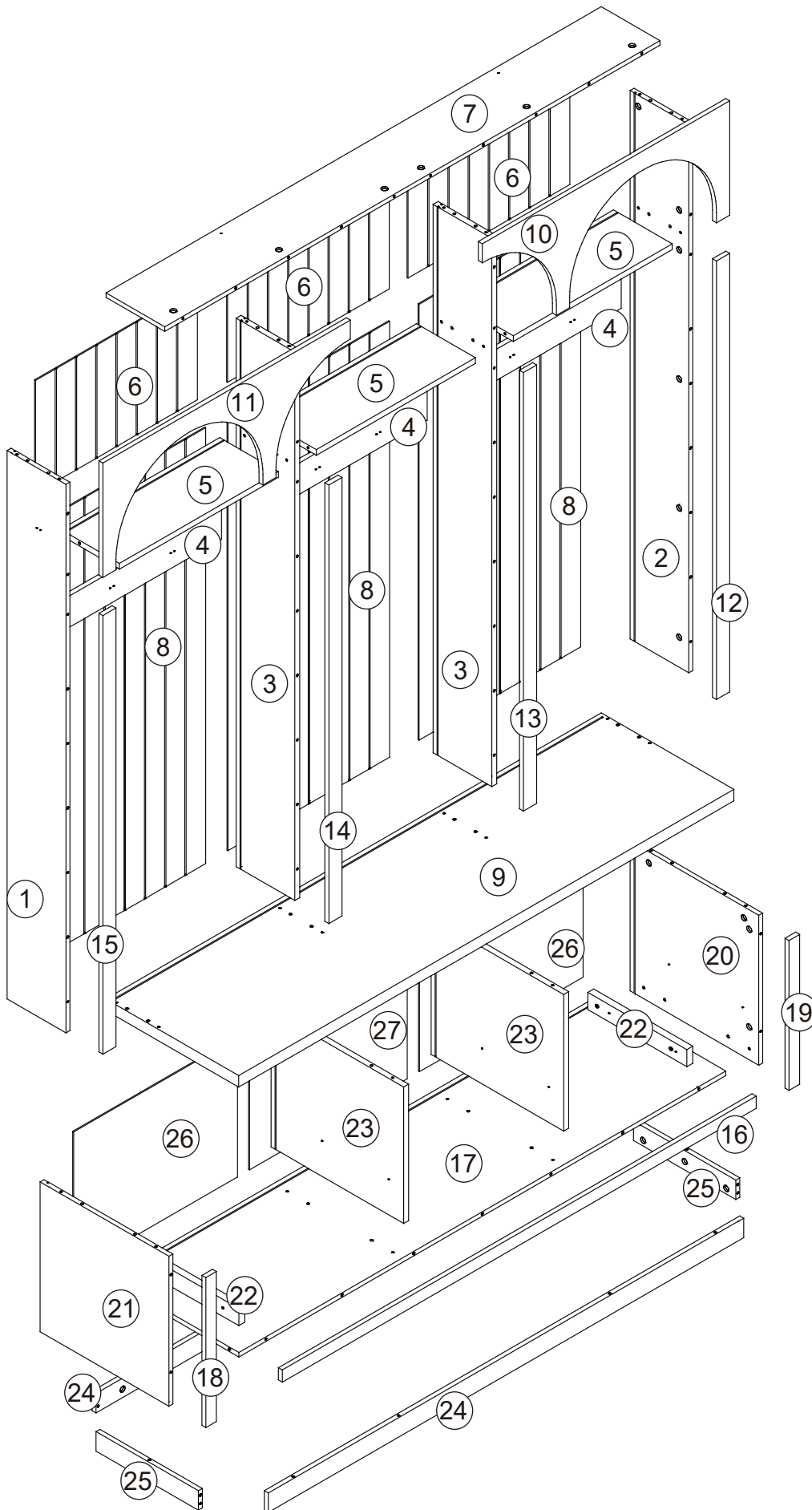
You should feel a click when the camlock is locked in place.

The joint is now secure.

4



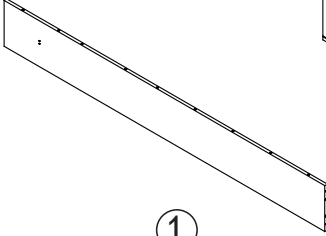
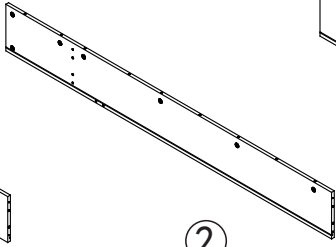
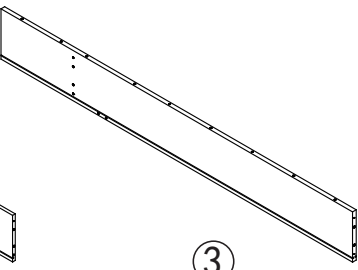
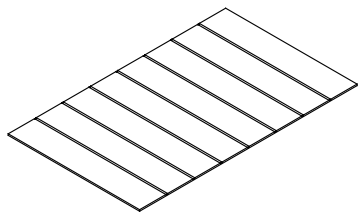
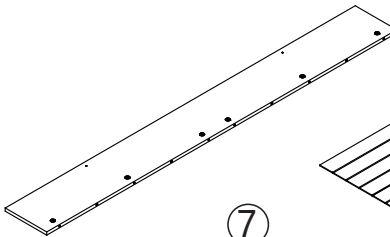
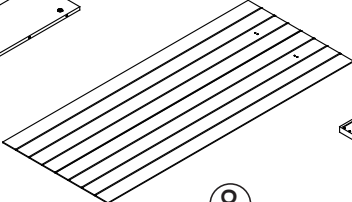
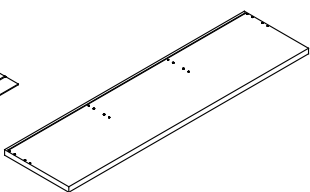
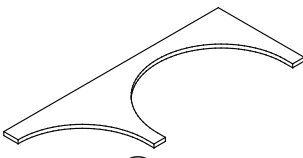
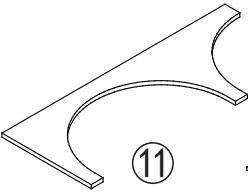
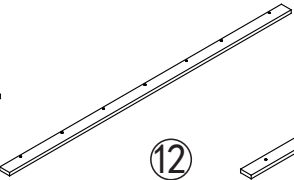
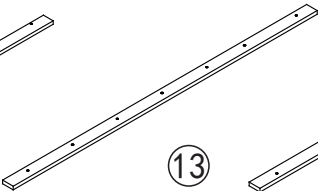
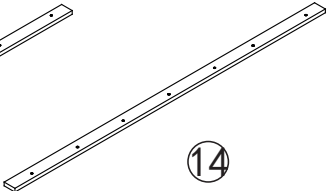
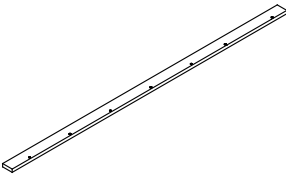
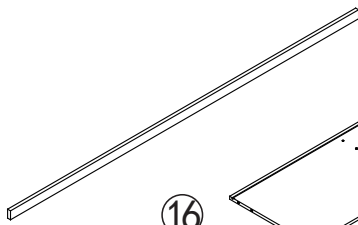
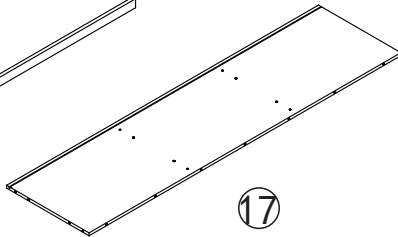
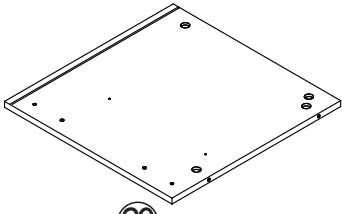
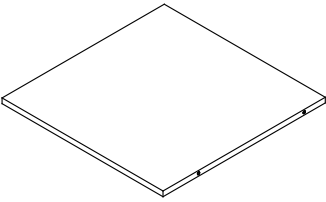
Assembly Instructions



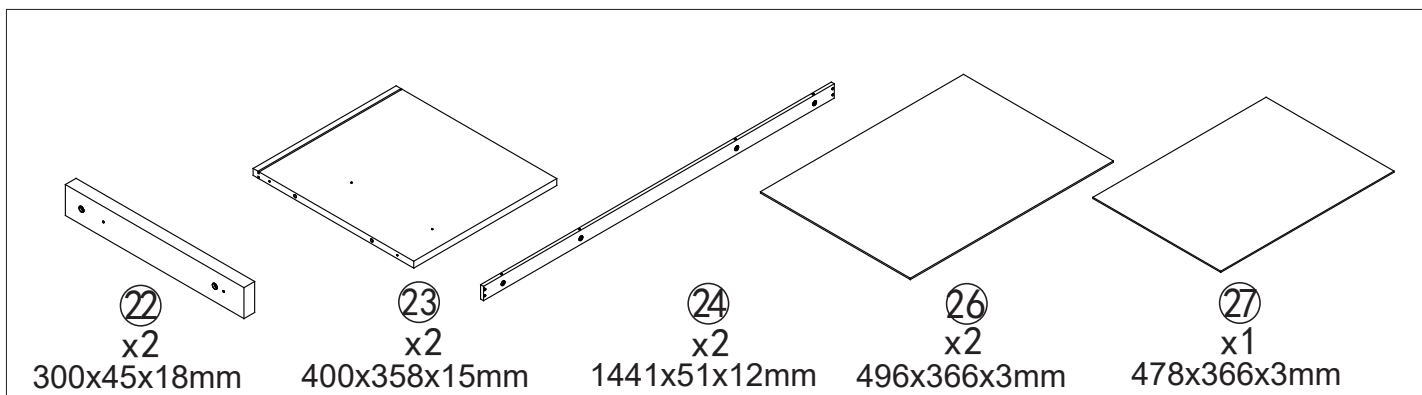
PART LIST

This product comes in 2 box.

N721P415880

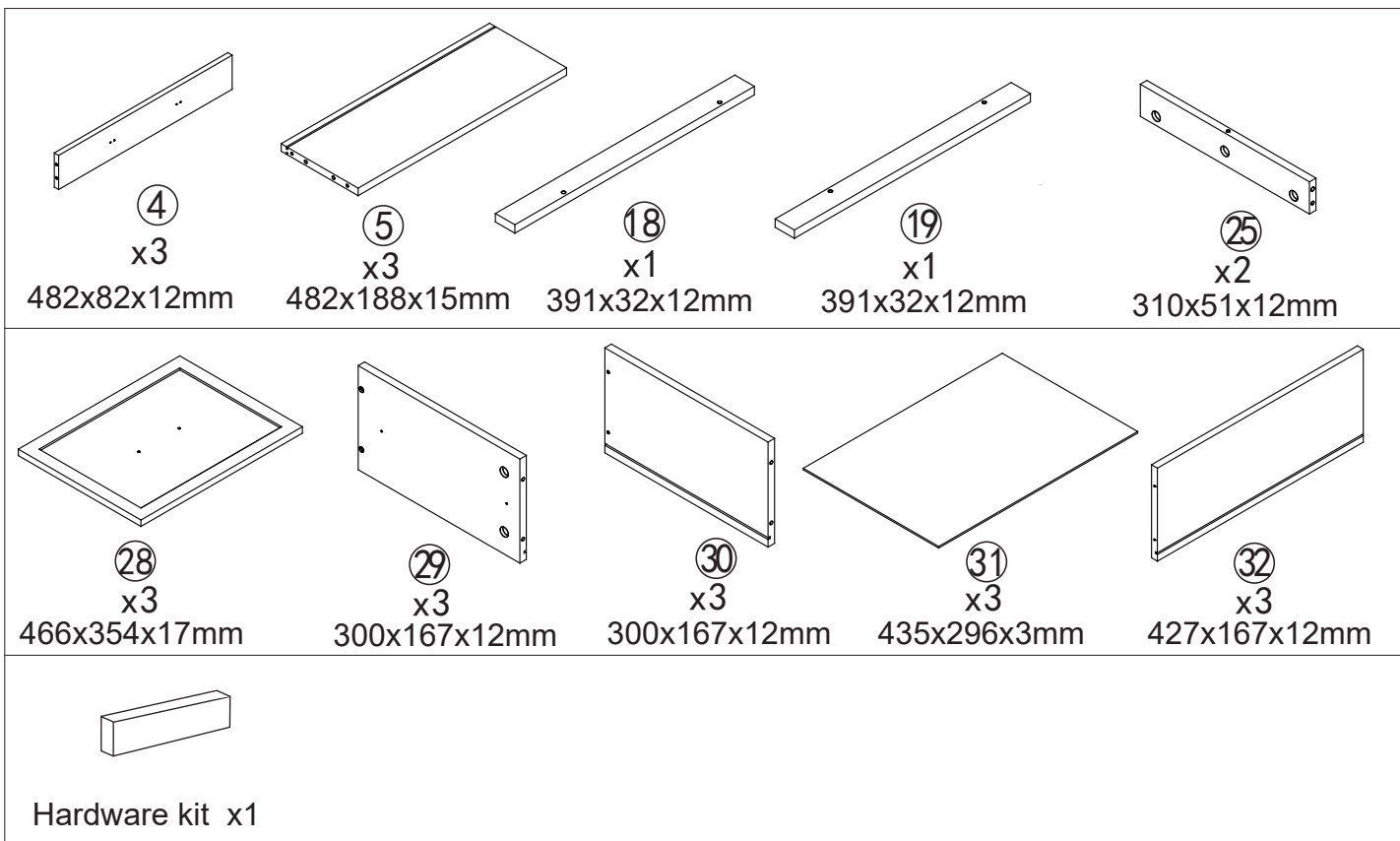
 <p>① x1 1440x188x12mm</p>	 <p>② x1 1440x188x12mm</p>	 <p>③ x2 1440x188x15mm</p>	 <p>⑥ x3 490x296x3mm</p>	
 <p>⑦ x1 1501x188x12mm</p>	 <p>⑧ x3 1144x490x3mm</p>	 <p>⑨ x1 1501x400x30mm</p>	 <p>⑩ x1 750x300x12mm</p>	
 <p>⑪ x1 750x300x12mm</p>	 <p>⑫ x1 1151x40x12mm</p>	 <p>⑬ x1 1151x40x12mm</p>	 <p>⑭ x1 1151x40x12mm</p>	 <p>⑮ x1 1151x40x12mm</p>
 <p>⑯ x1 1438x32x12mm</p>	 <p>⑰ x1 1477x388x12mm</p>	 <p>⑳ x1 391x388x12mm</p>	 <p>㉑ x1 391x388x12mm</p>	

PART LIST



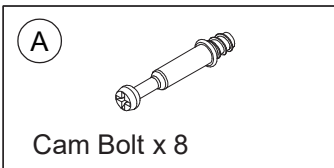
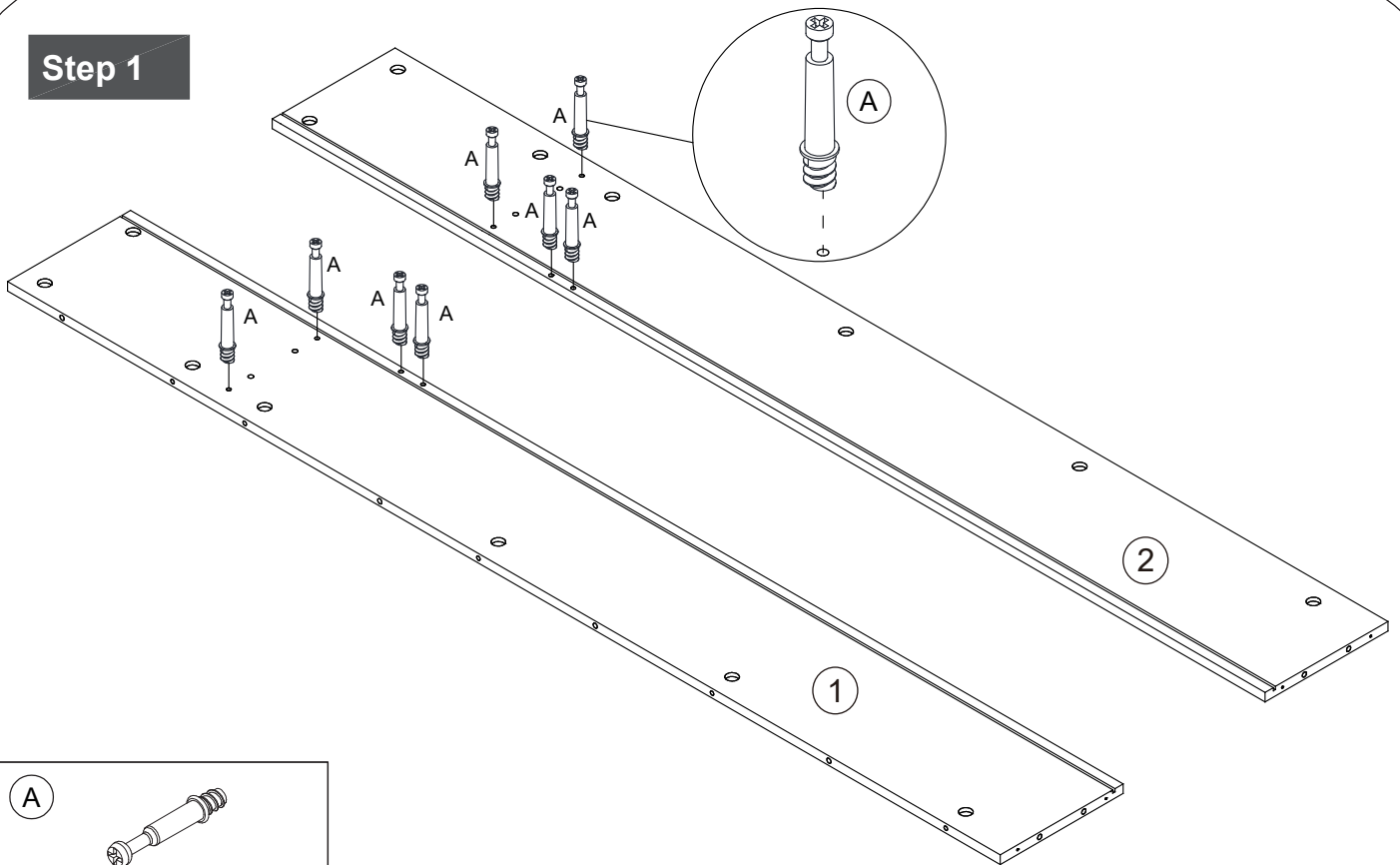
This product comes in 2 box.

N721P415881

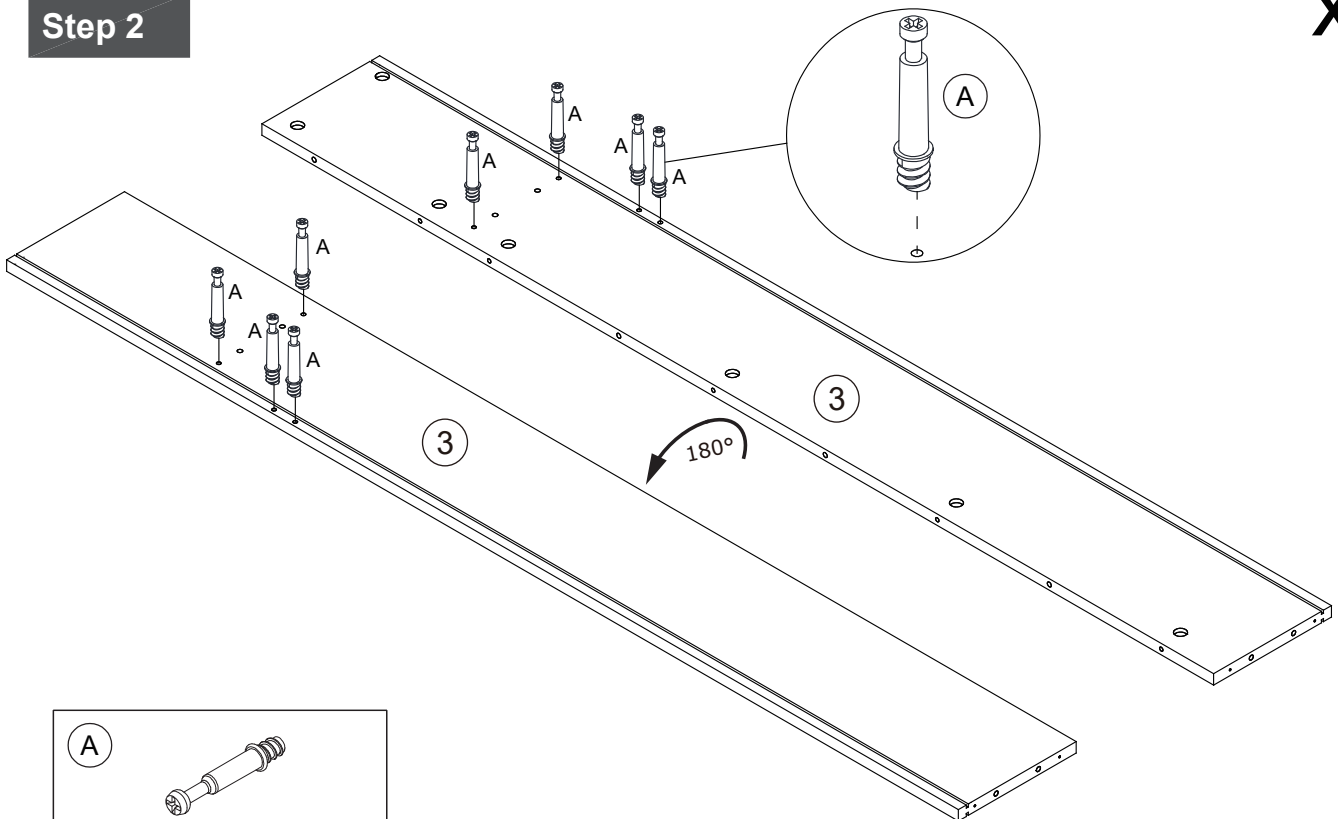


Assembly Instructions

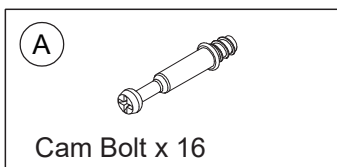
Step 1



Step 2

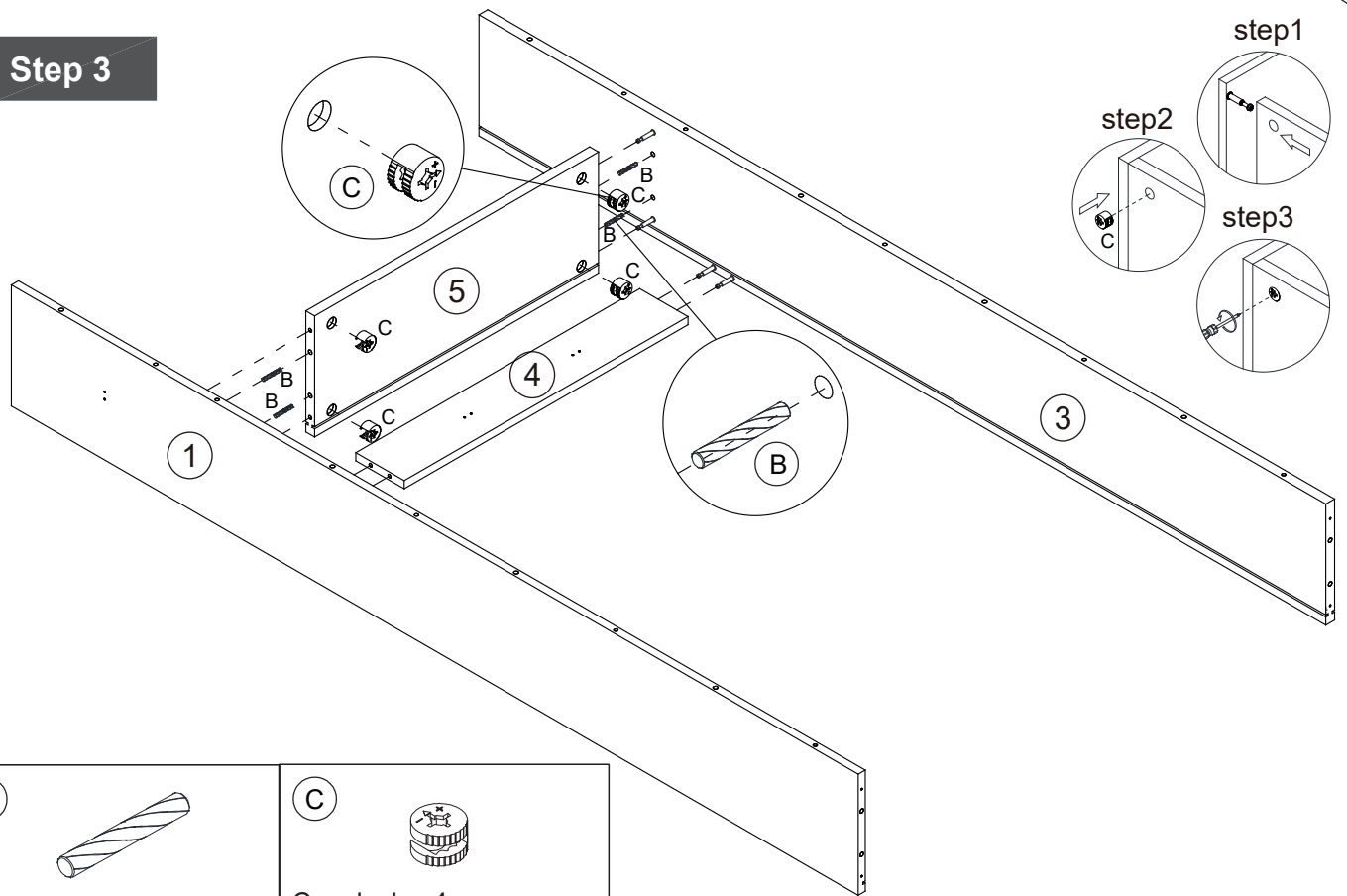



x2



Assembly Instructions

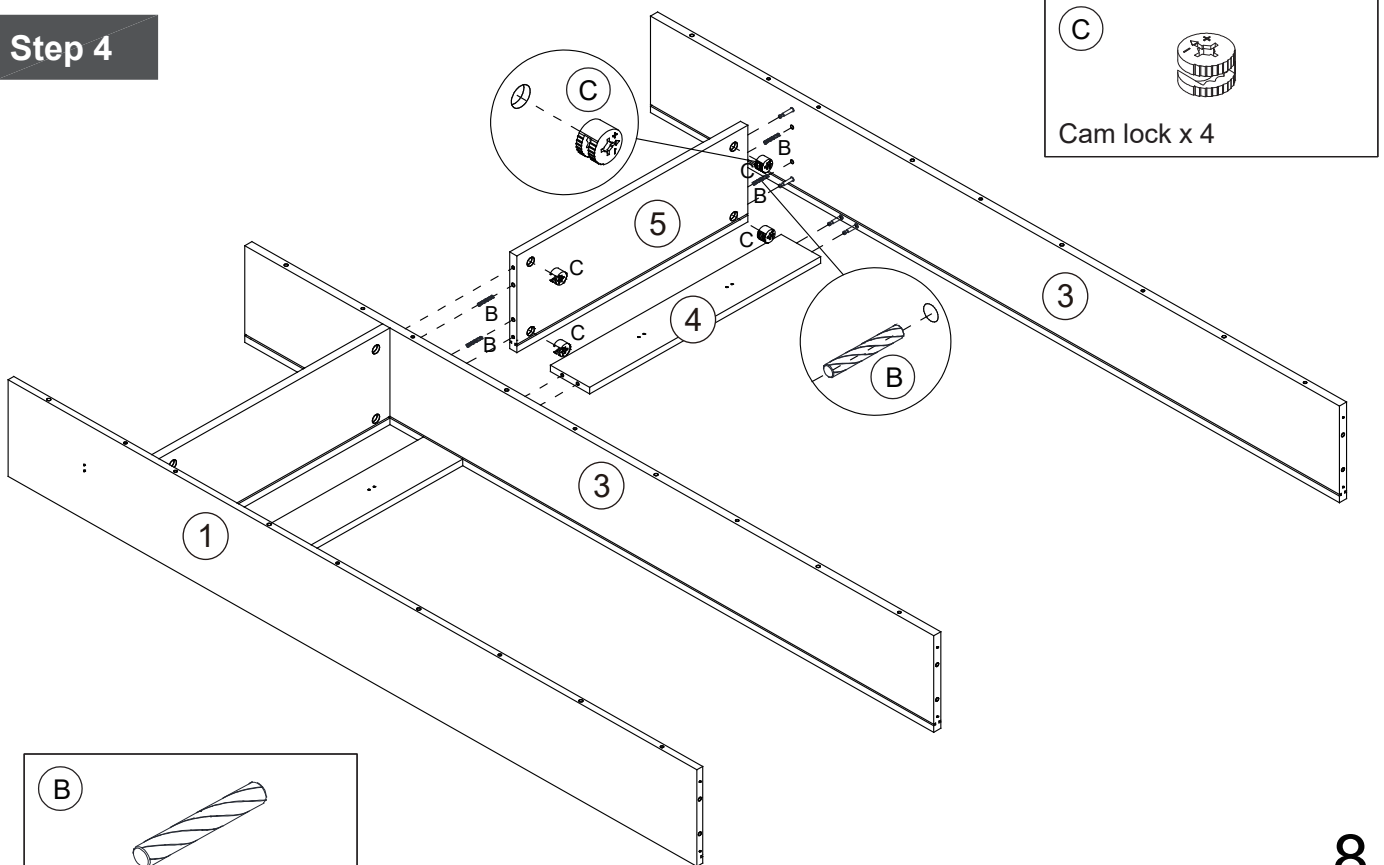
Step 3




(B)  6*30mm Dowel x 4

(C)  Cam lock x 4

Step 4

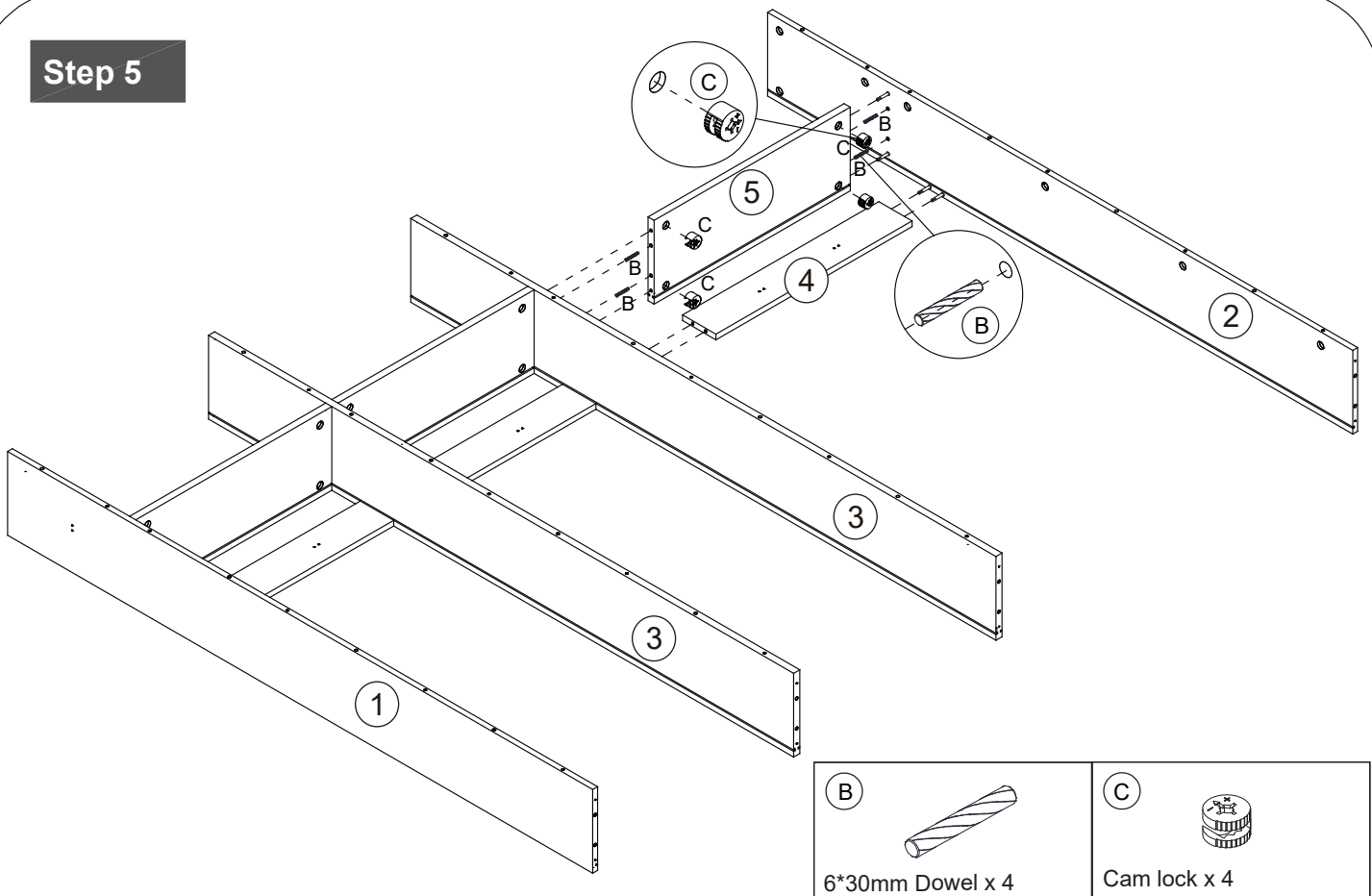


(B)  6*30mm Dowel x 4

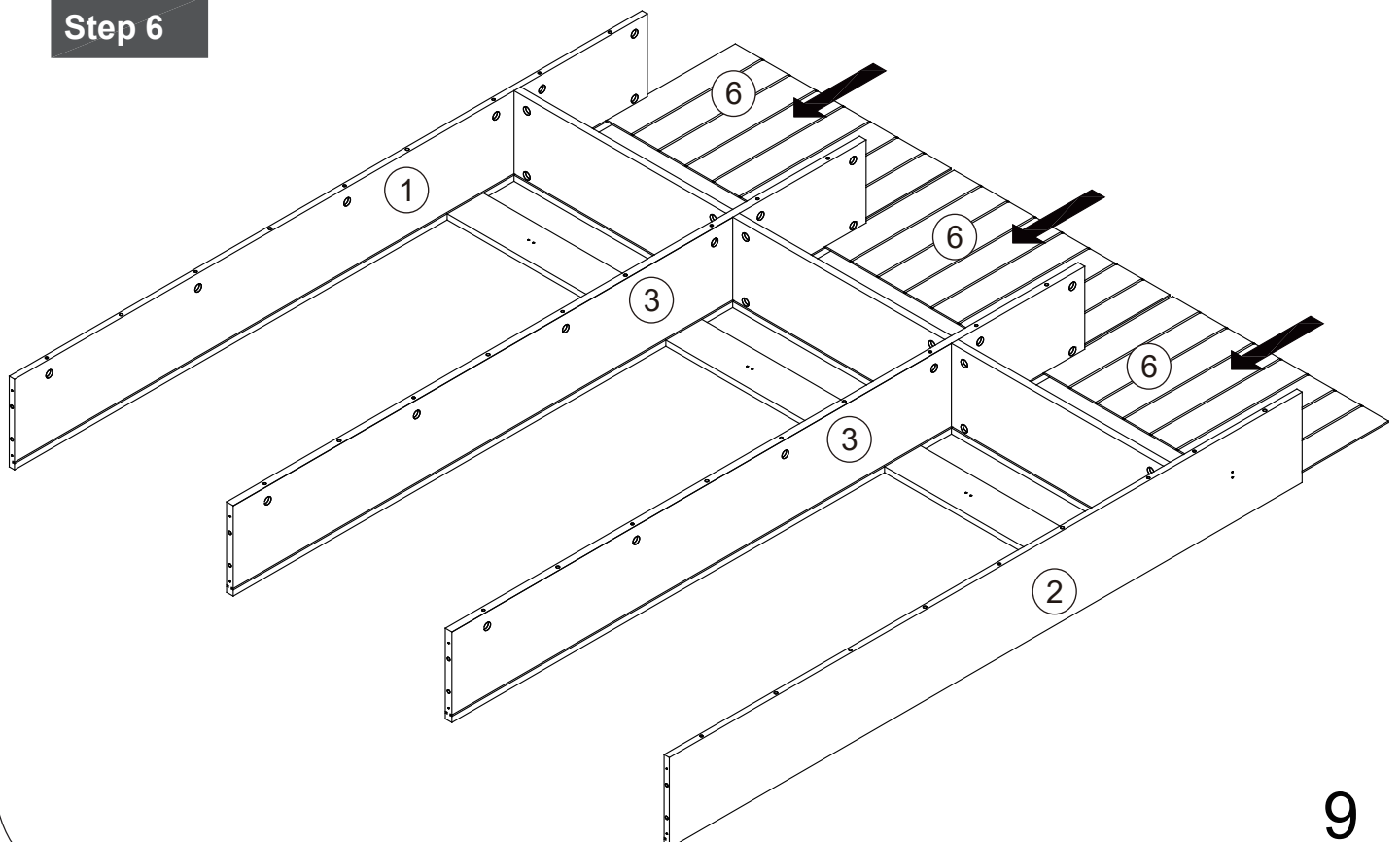
(C)  Cam lock x 4

Assembly Instructions

Step 5

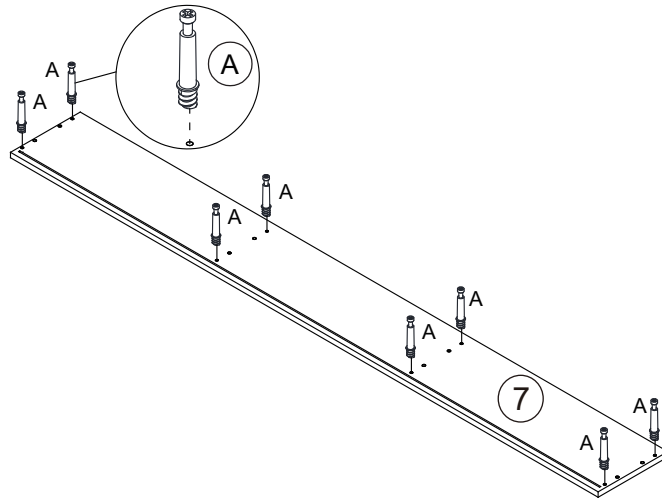


Step 6

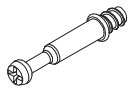


Assembly Instructions

Step 7

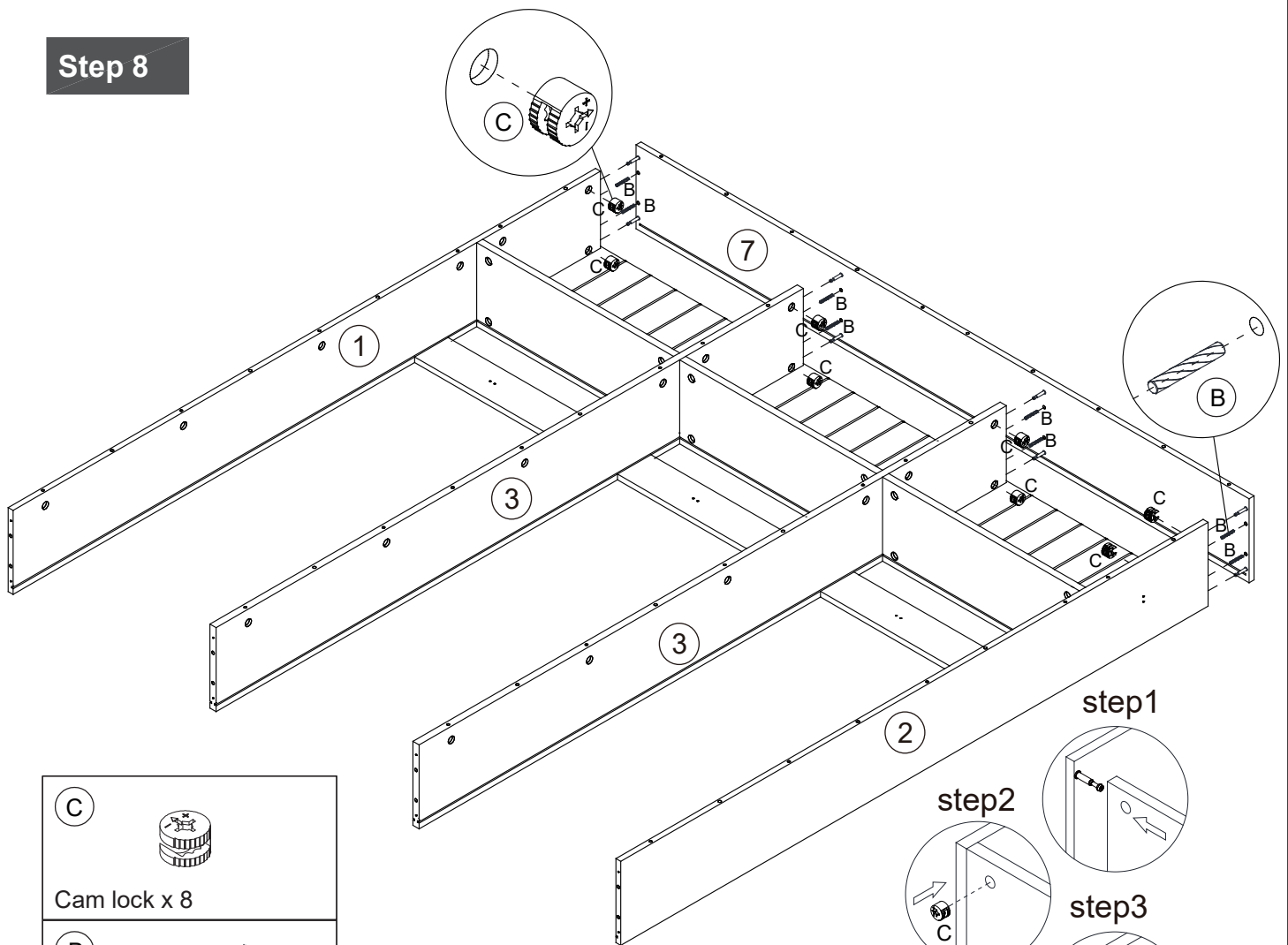


A



Cam Bolt x 8

Step 8



C



Cam lock x 8

B



6*30mm Dowel x 8

step1

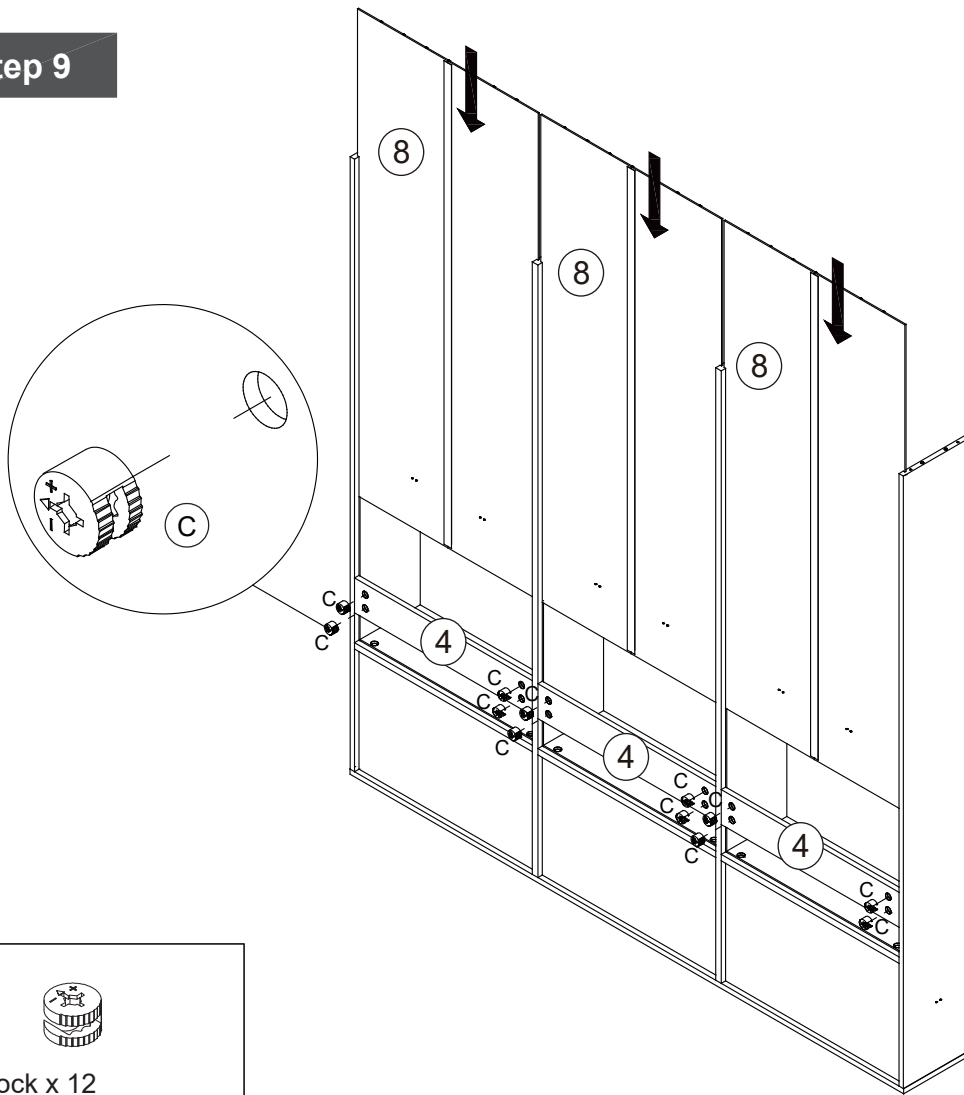
step2

step3

10

Assembly Instructions

Step 9

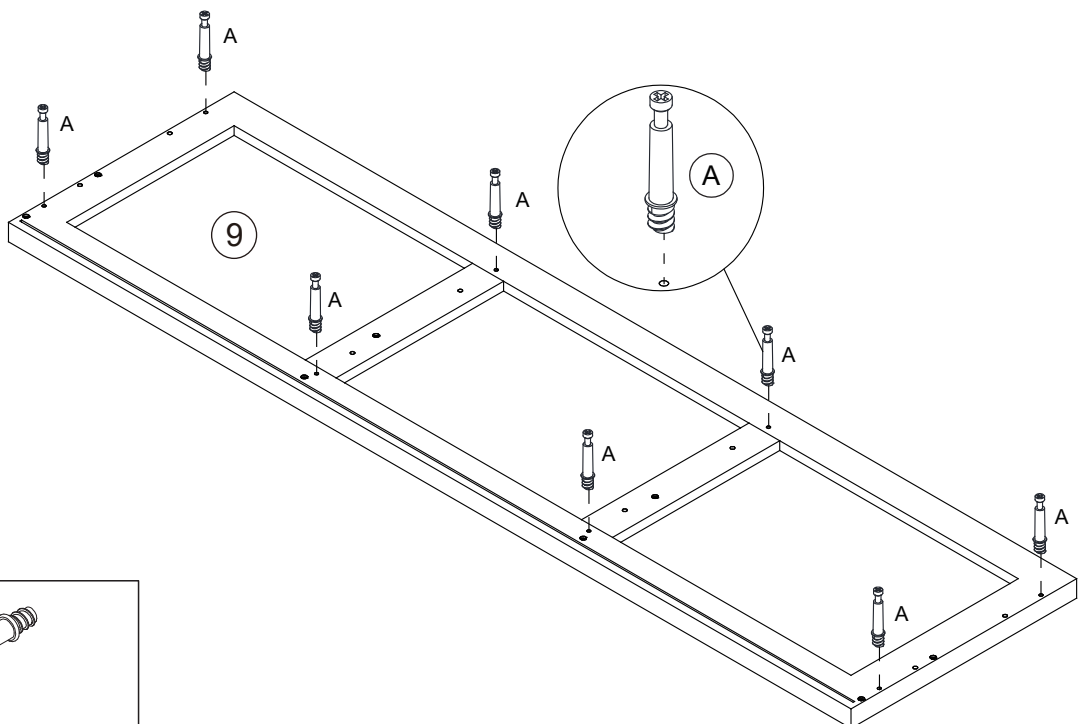


C

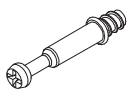


Cam lock x 12

Step 10



A

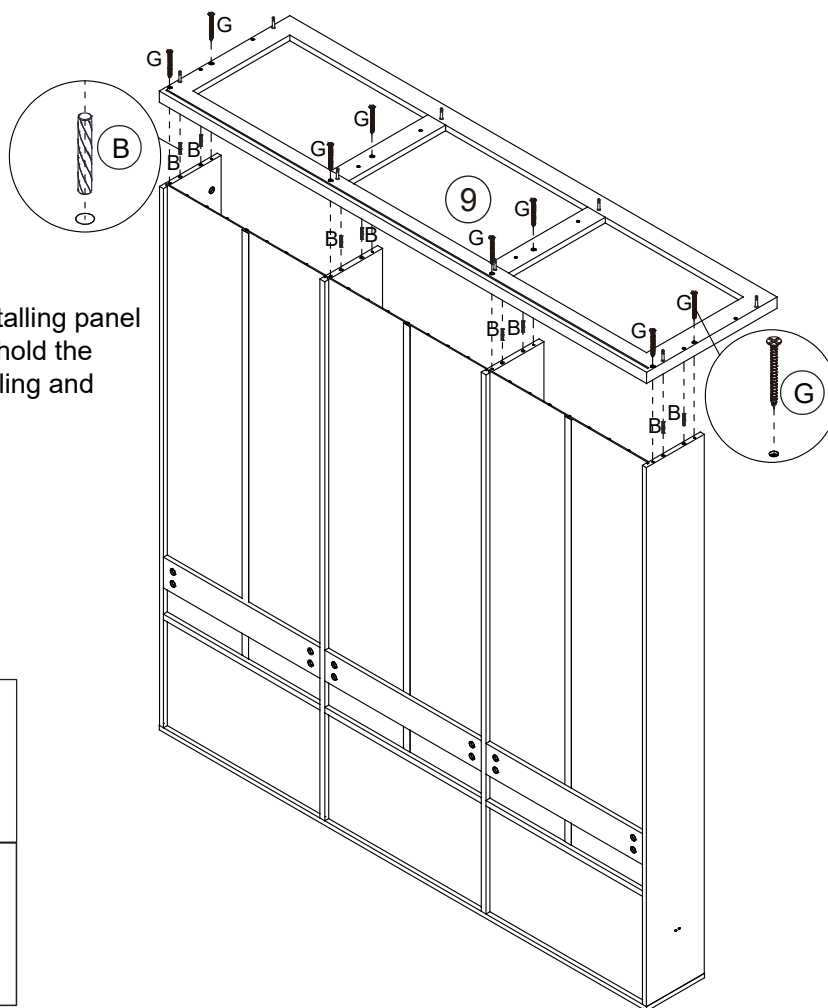


Cam Bolt x 8

Assembly Instructions

Step 11

Please note that when installing panel No. 9, one person should hold the panel to prevent it from falling and injuring people.

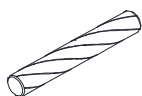


G



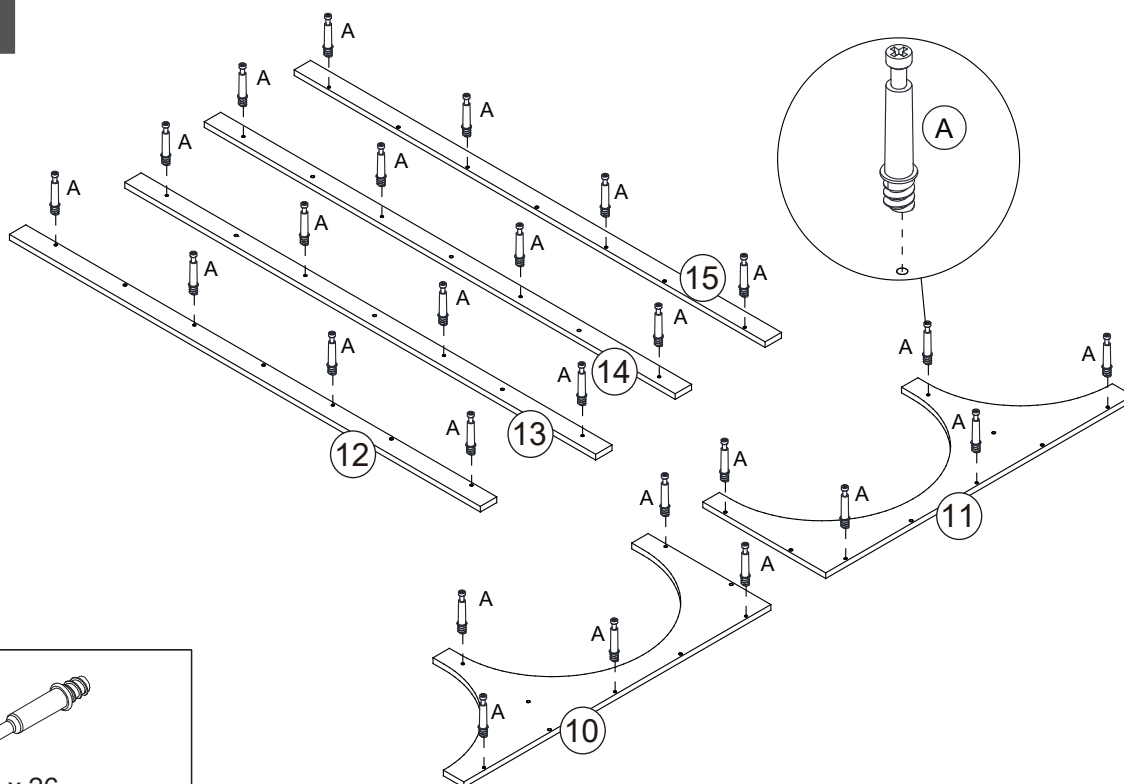
4*40mm Screw x 8

B

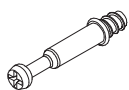


6*30mm Dowel x 8

Step 12



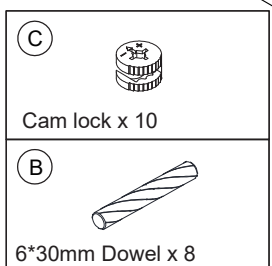
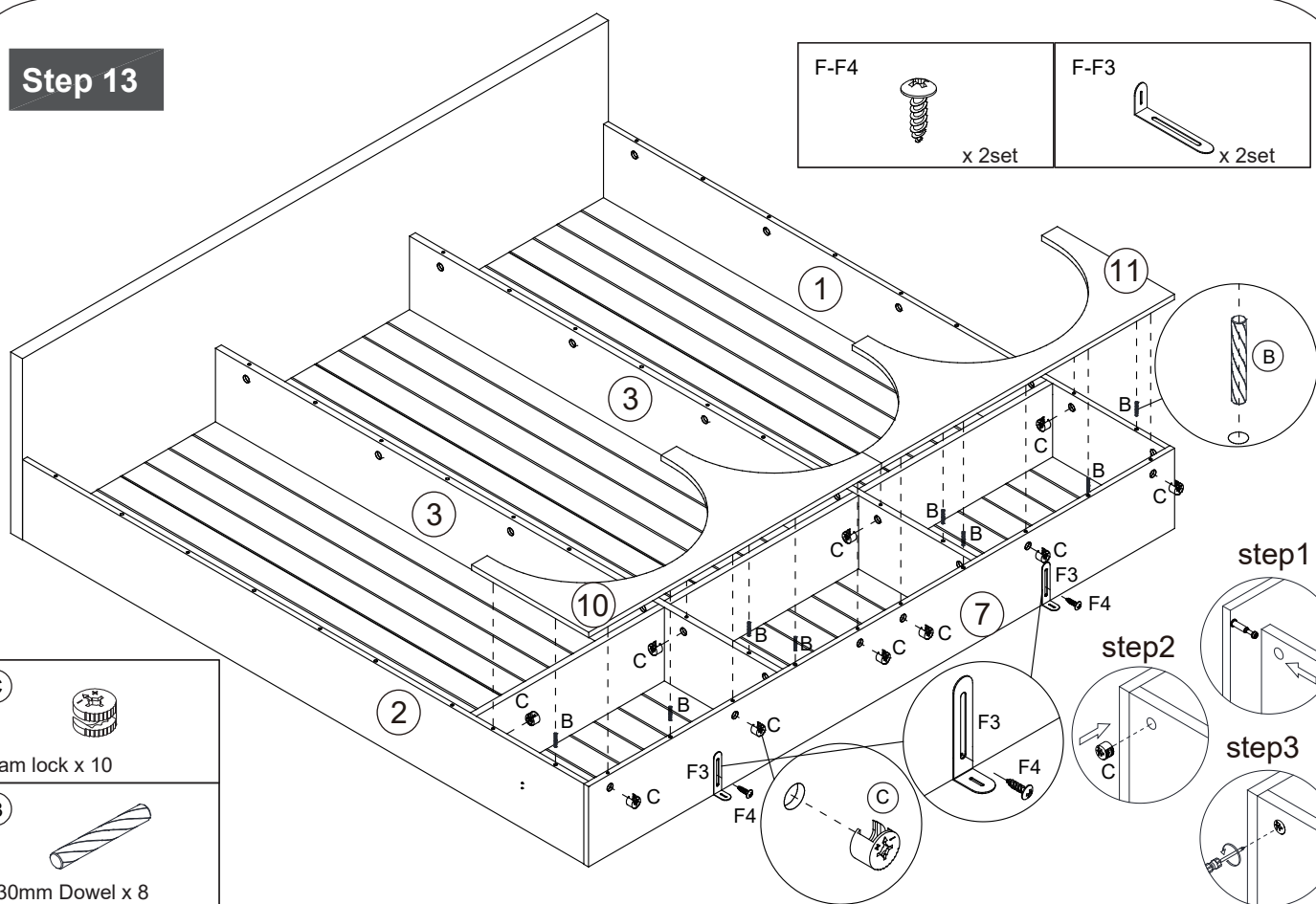
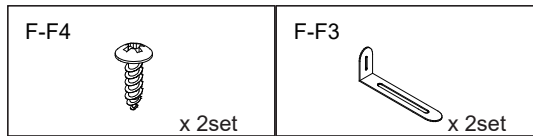
A



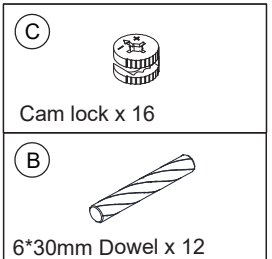
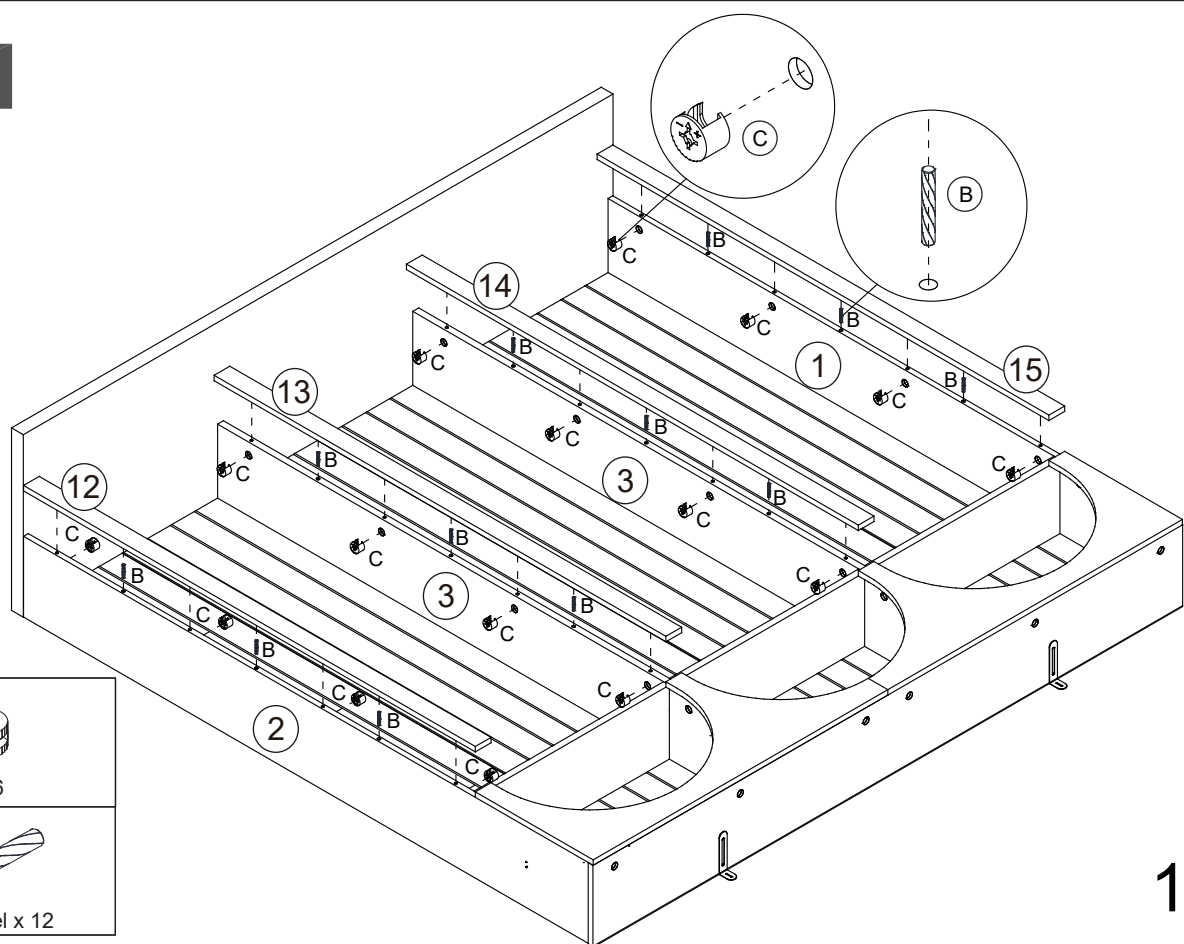
Cam Bolt x 26

Assembly Instructions

Step 13

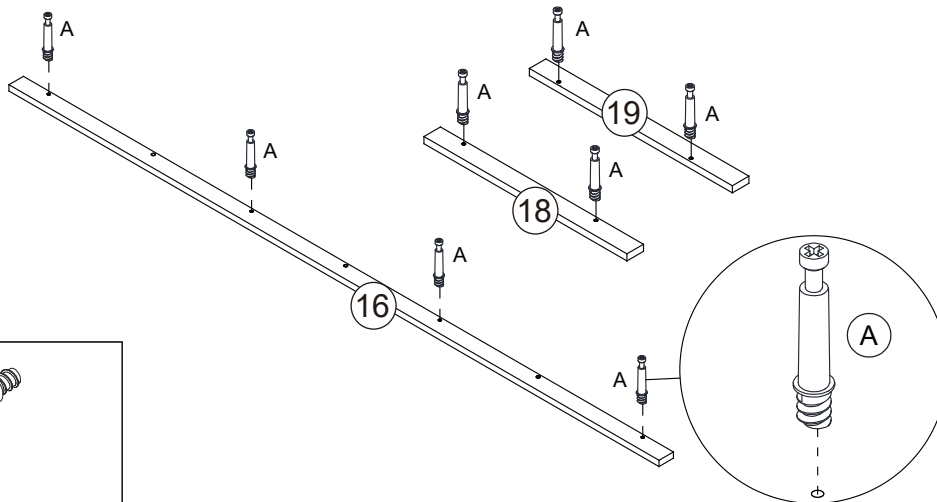


Step 14

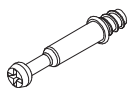


Assembly Instructions

Step 15

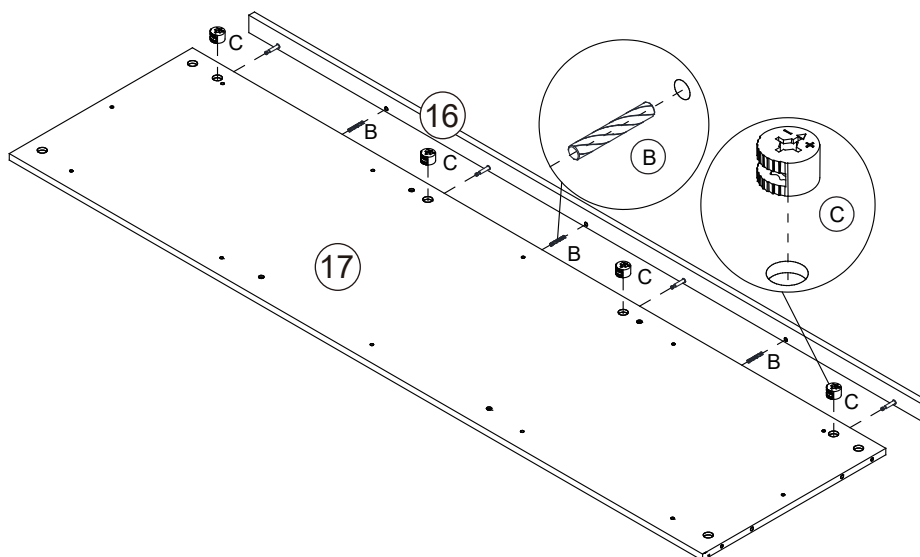


A



Cam Bolt x 8

Step 16

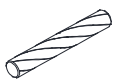


C



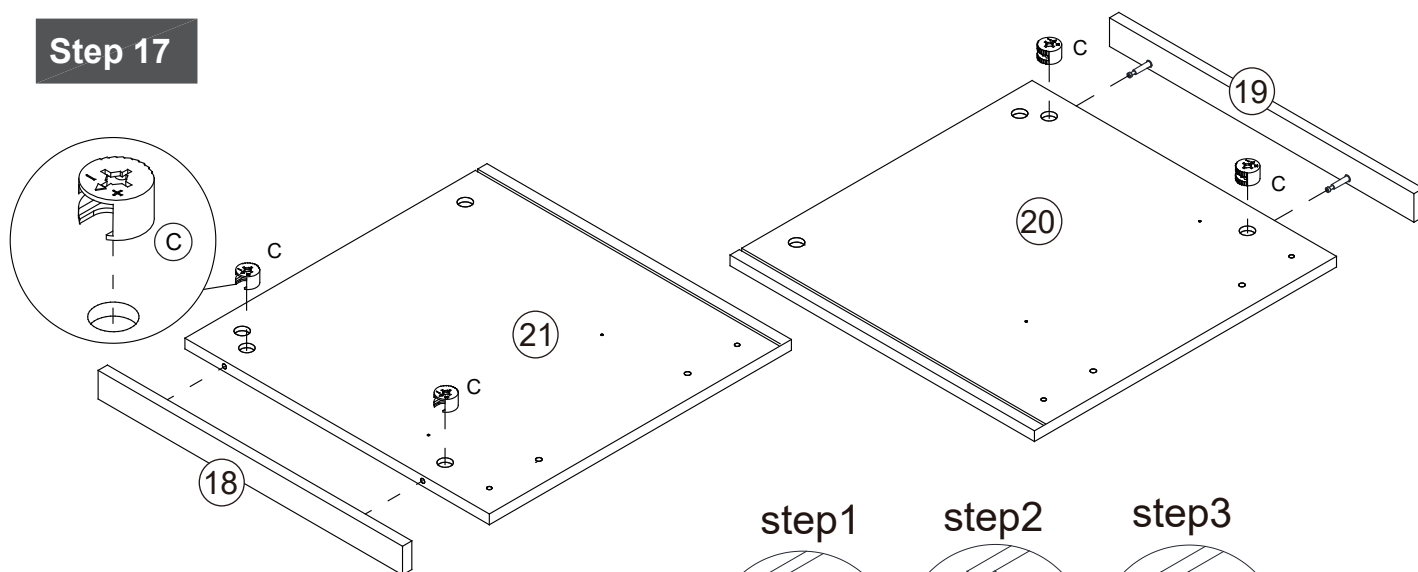
Cam lock x 4

B



6*30mm Dowel x 3

Step 17

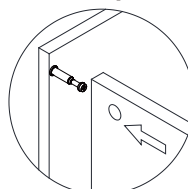


C

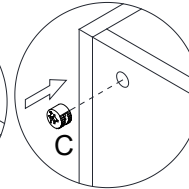


Cam lock x 4

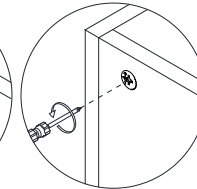
step1



step2

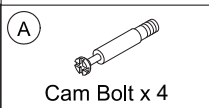
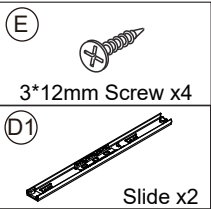
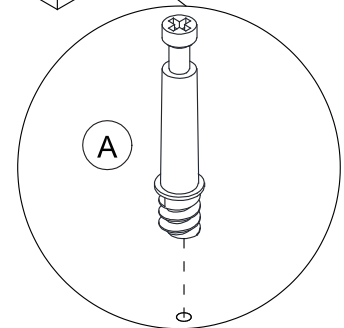
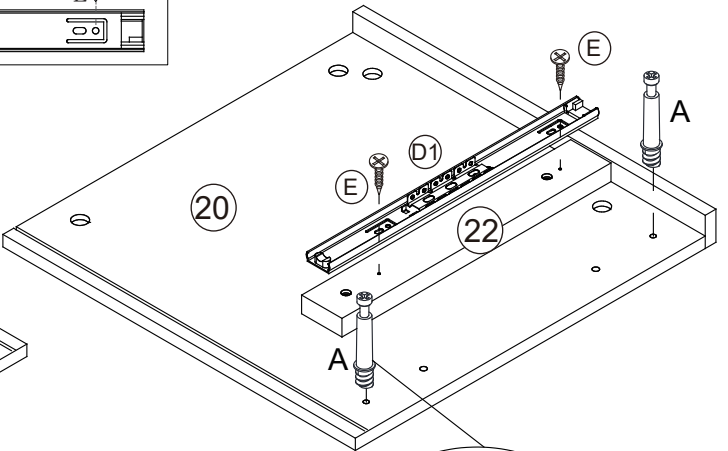
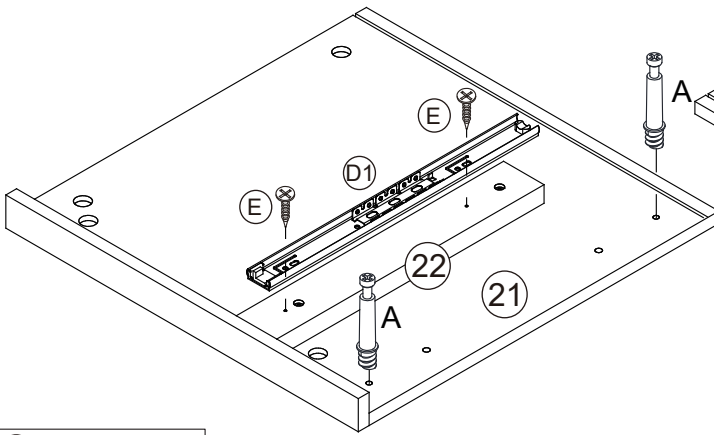
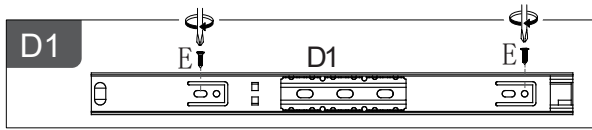


step3



Assembly Instructions

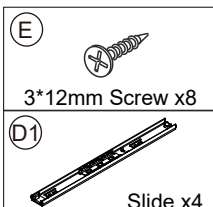
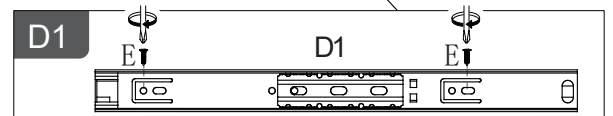
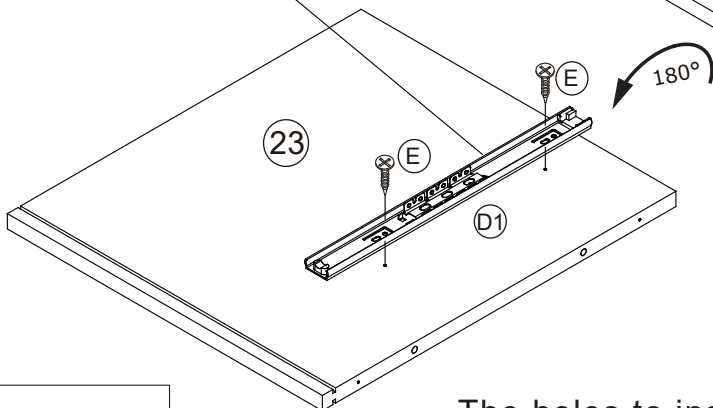
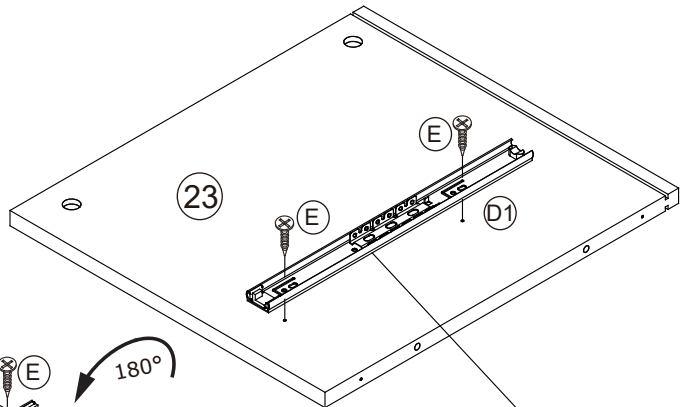
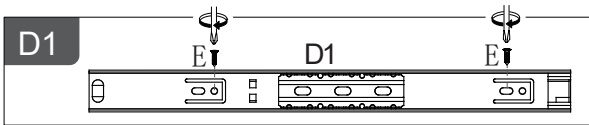
Step 20



Step 21

Both sides of the part#23 need to be installed with slide

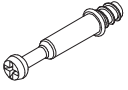


x2

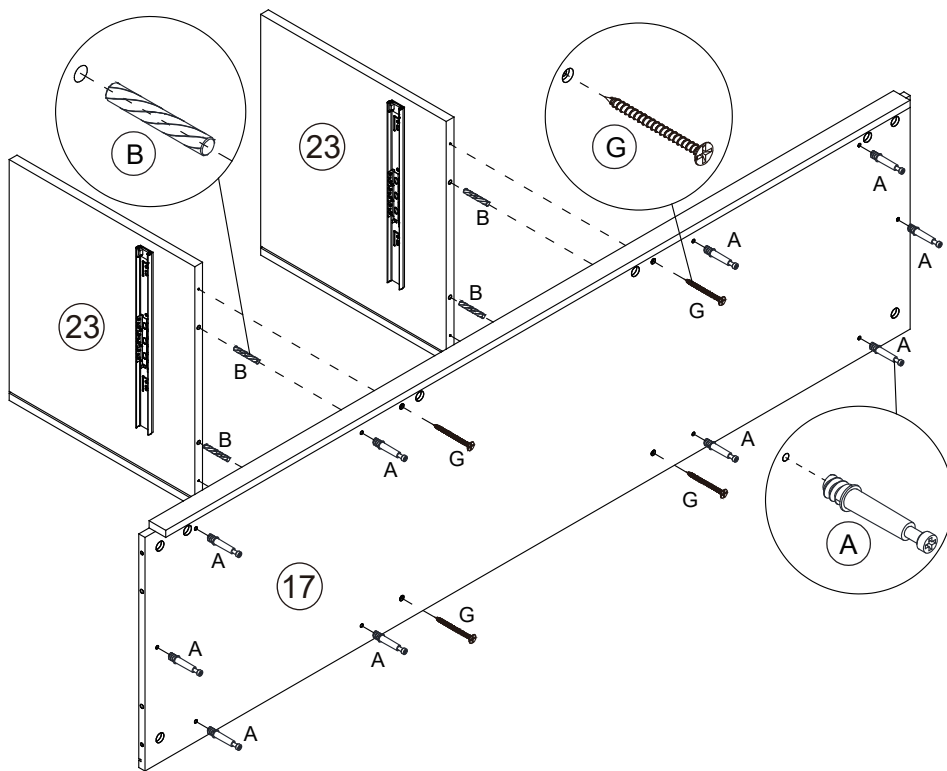


The holes to install screws for the rails on the two sides of the board 23 are different. Please refer to the markings in the figure.

Assembly Instructions

Step 22

<p>(A)</p>  <p>Cam Bolt x 10</p>
<p>(G)</p>  <p>4*40mm Screw x 4</p>
<p>(B)</p>  <p>6*30mm Dowel x 4</p>

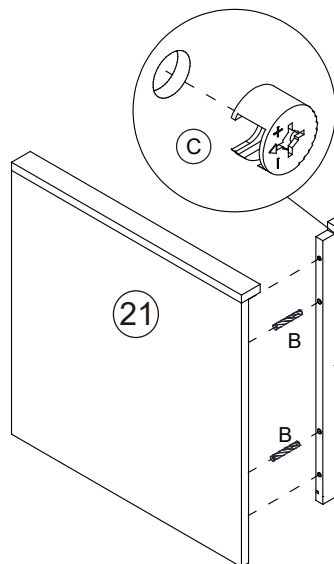
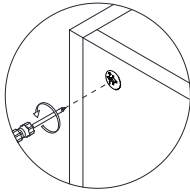
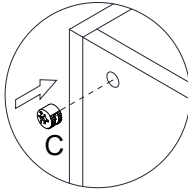
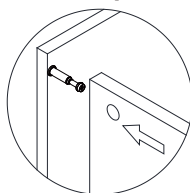




Step 23

step1

step2

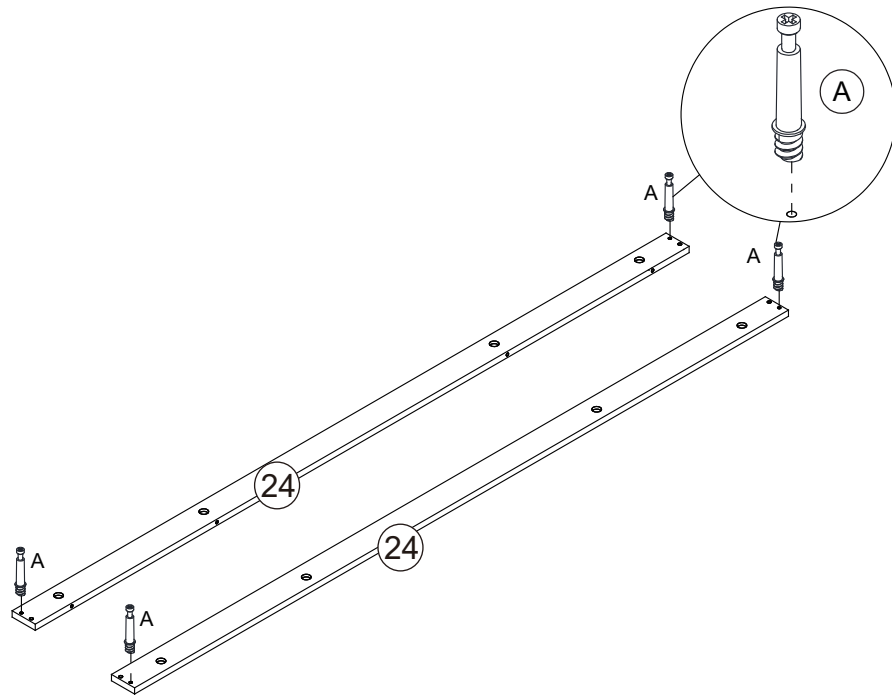
step3



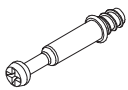
<p>(C)</p>  <p>Cam lock x 4</p>
<p>(B)</p>  <p>6*30mm Dowel x 4</p>

Assembly Instructions

Step 24

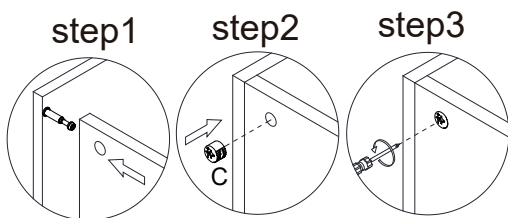


A



Cam Bolt x 4

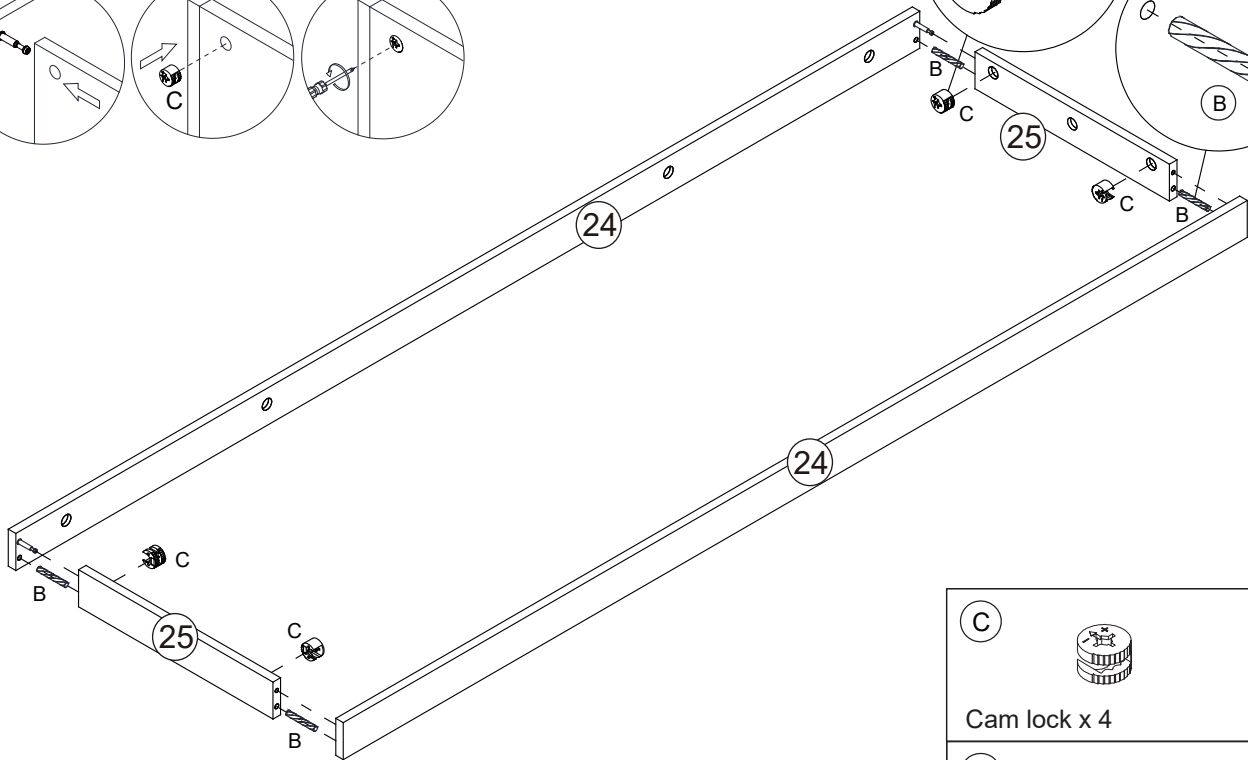
Step 25



step1

step2

step3



C



Cam lock x 4

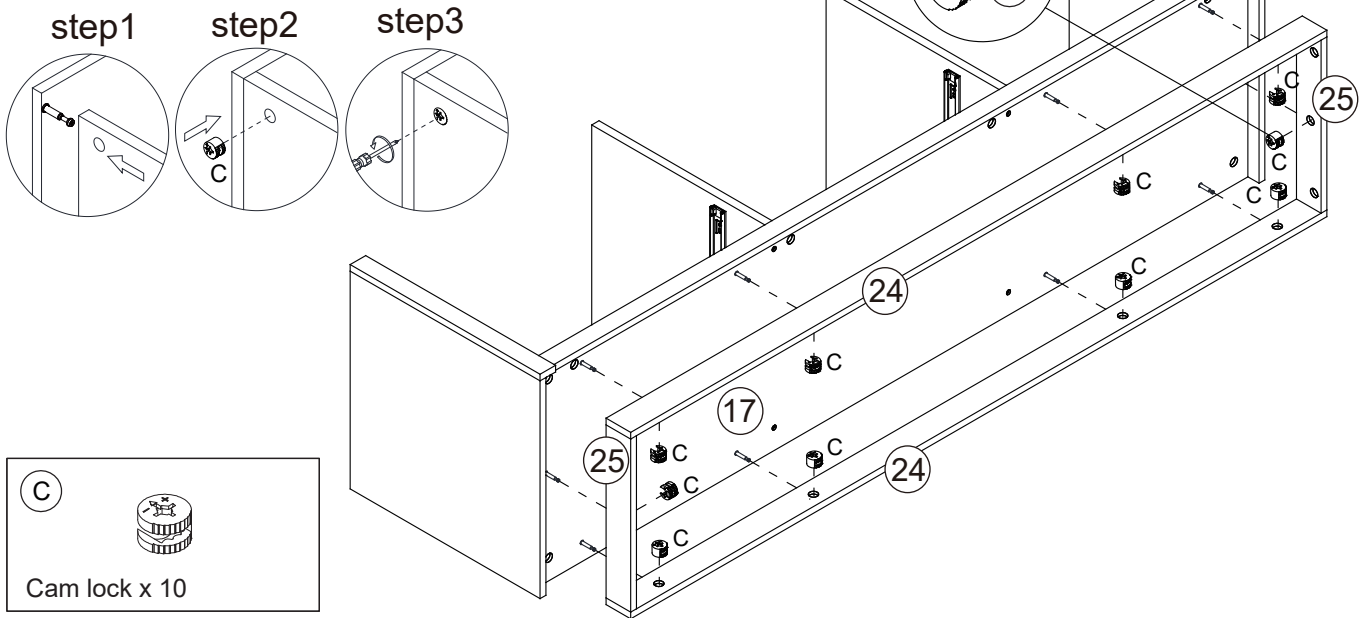
B



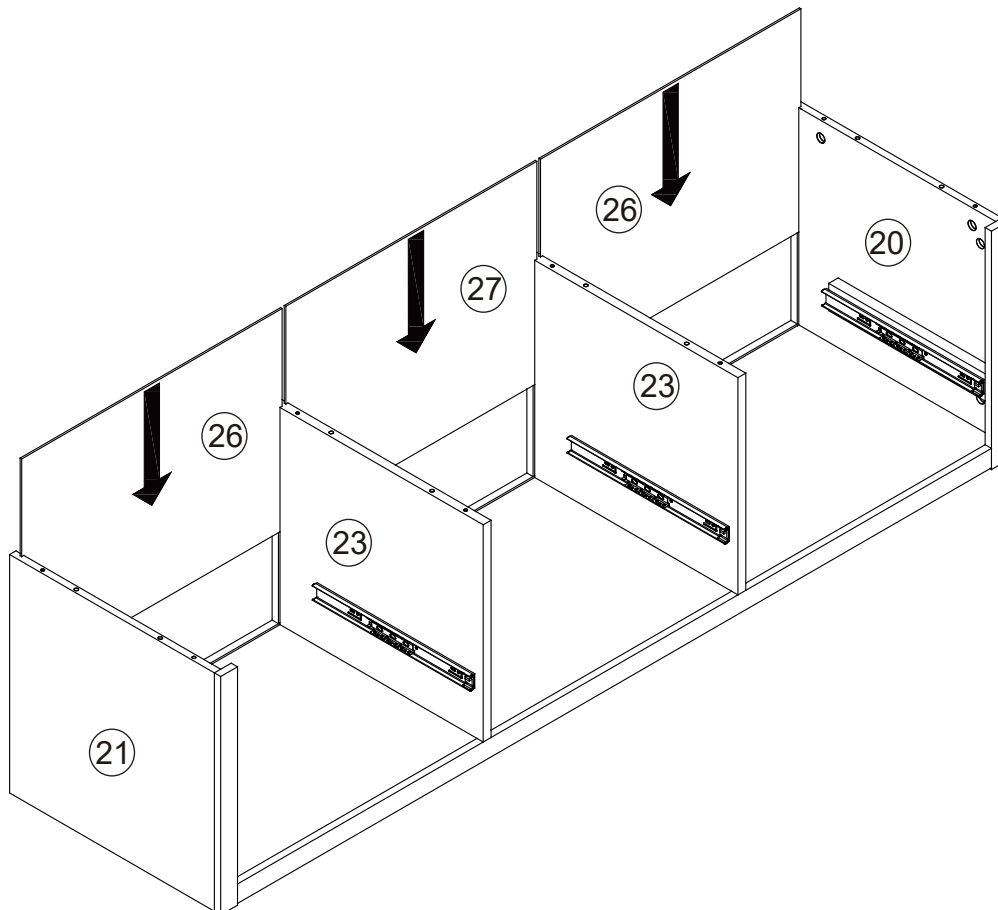
6*30mm Dowel x 4

Assembly Instructions

Step 26



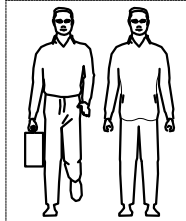
Step 27



Assembly Instructions

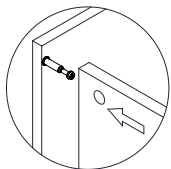
Step 28

2-Person
Assembly

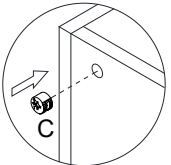


Please note that this step requires two - person cooperation for installation.

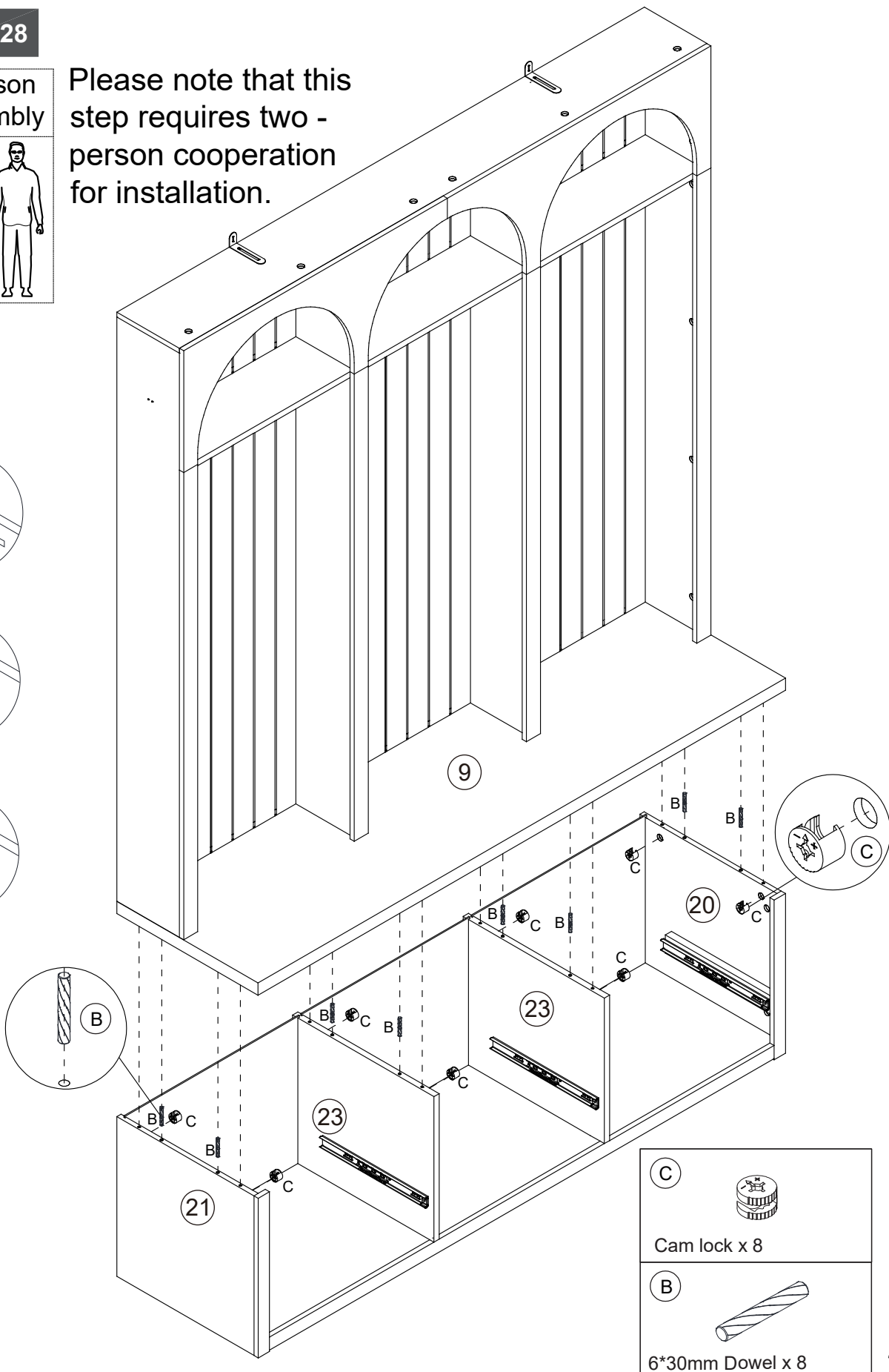
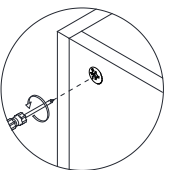
step1



step2



step3

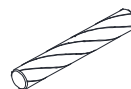


C



Cam lock x 8

B

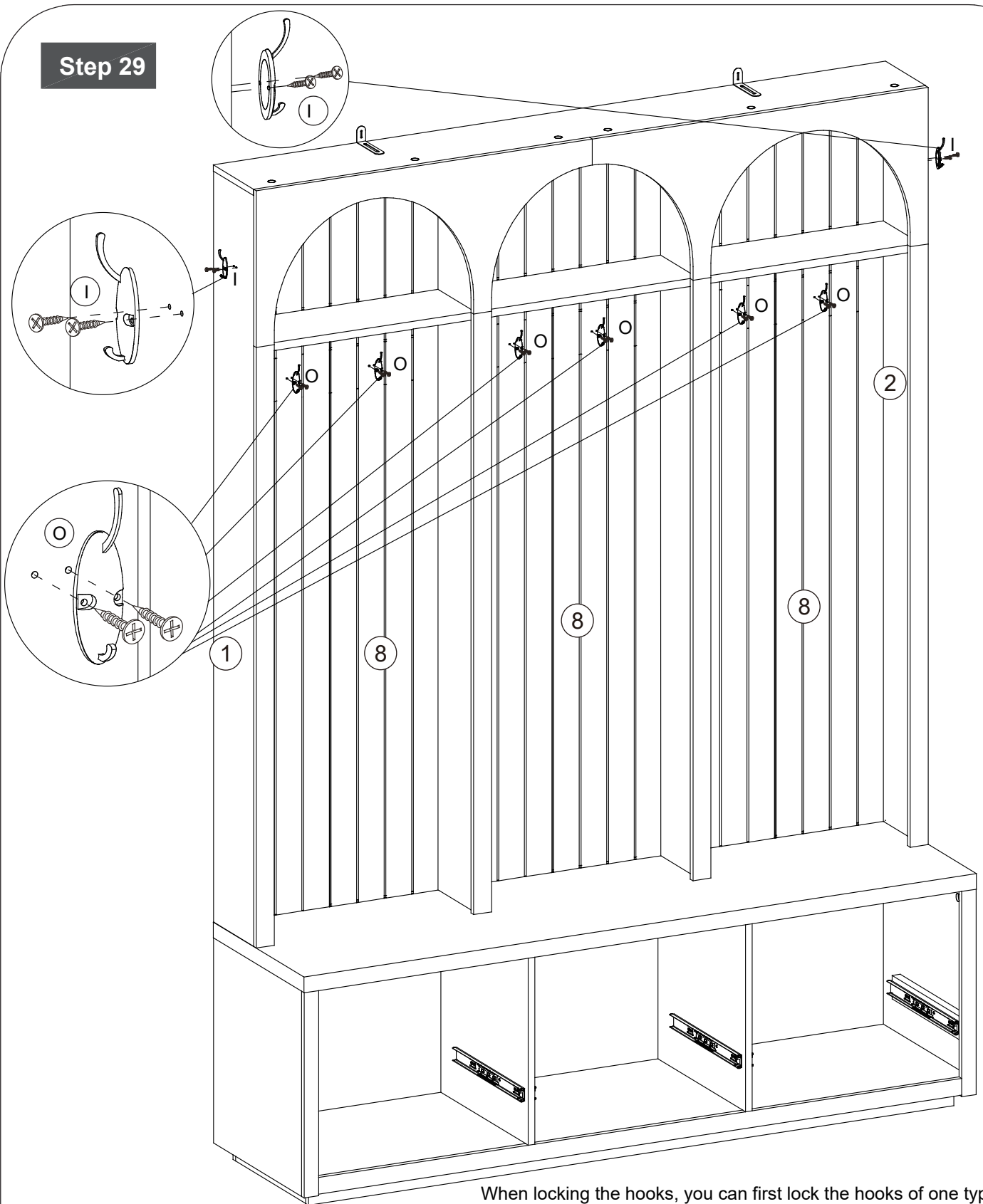


6*30mm Dowel x 8

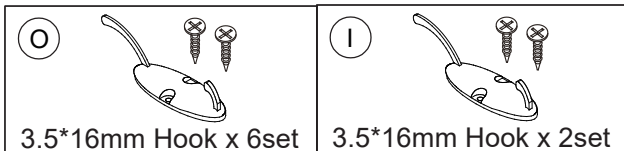
20

Assembly Instructions

Step 29

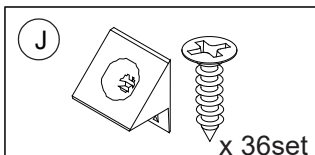
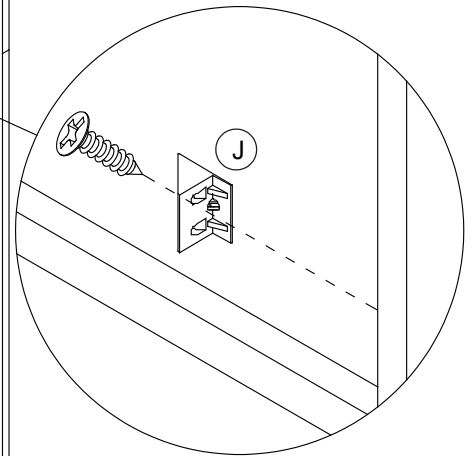
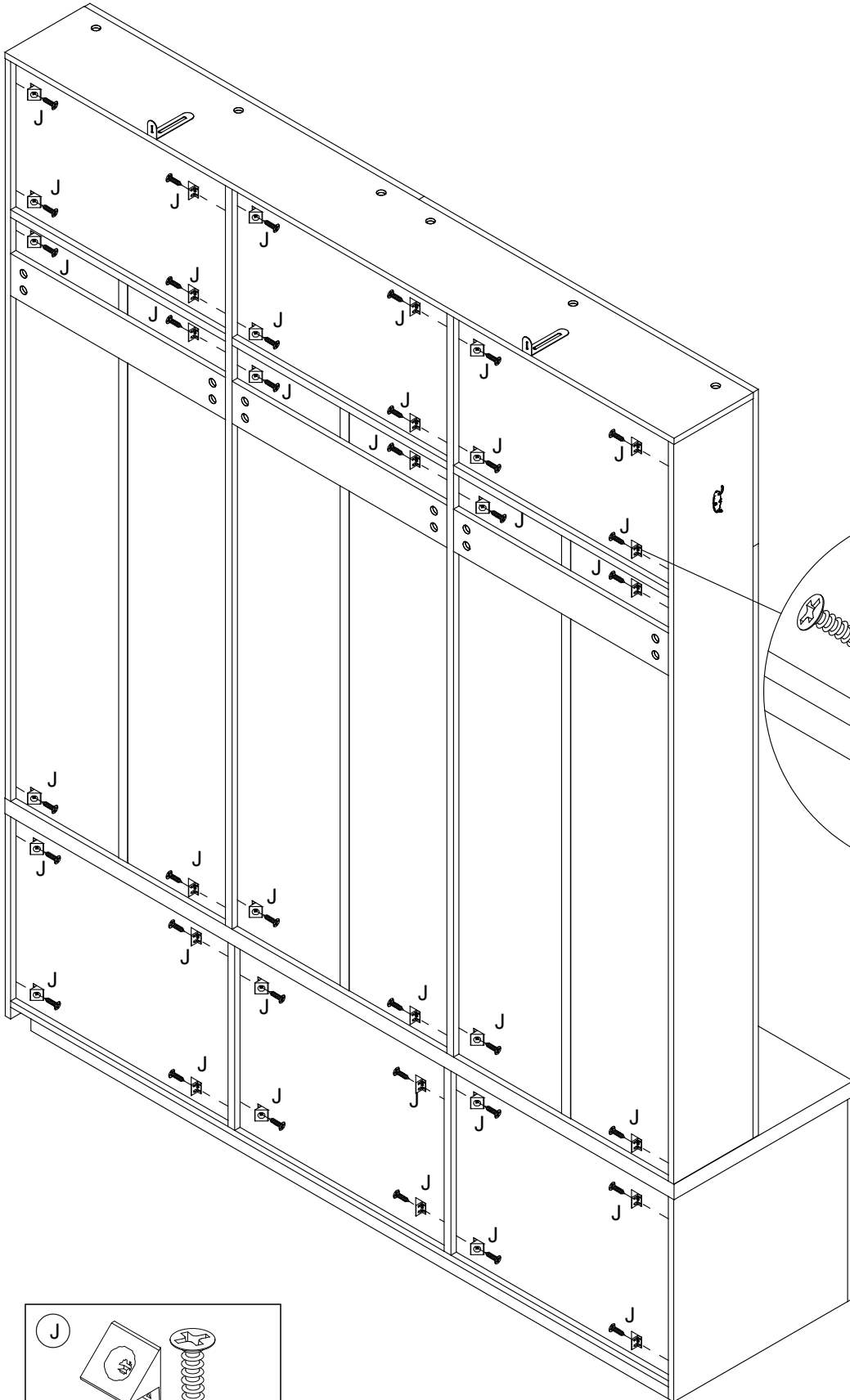


When locking the hooks, you can first lock the hooks of one type of numbering, and then lock the hooks of the other type of numbering. Pay attention to the fact that the lengths of the screws for the two types of hooks are different, so as to avoid locking them incorrectly.



Assembly Instructions

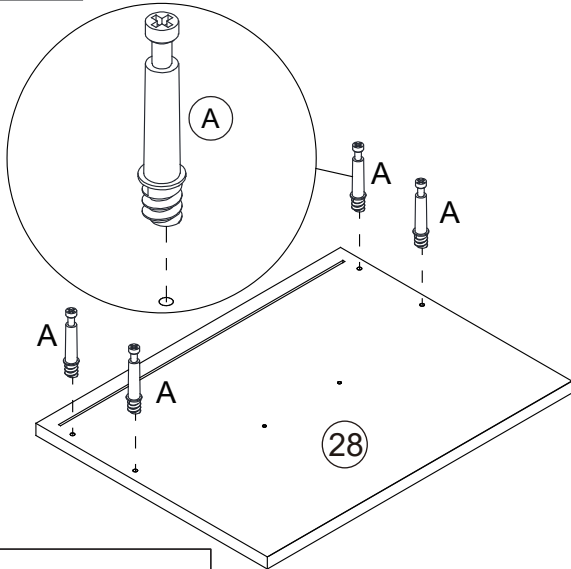
Step 30



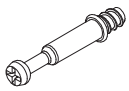
Assembly Instructions

Step 31

x3

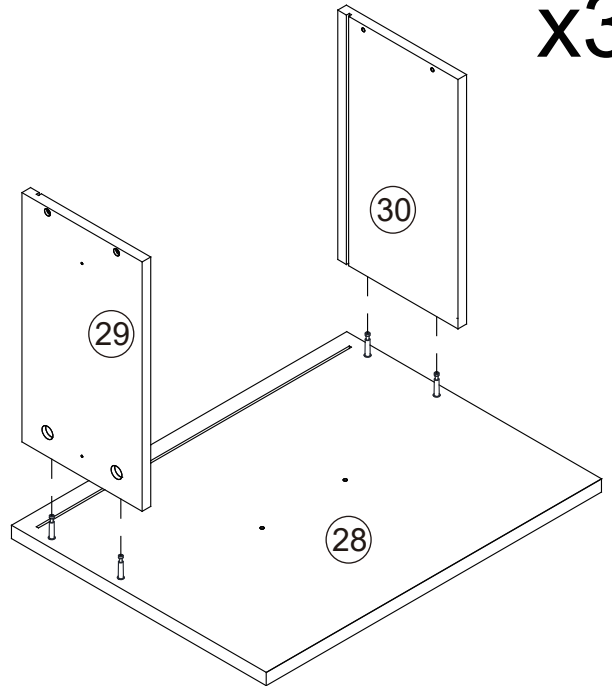


A



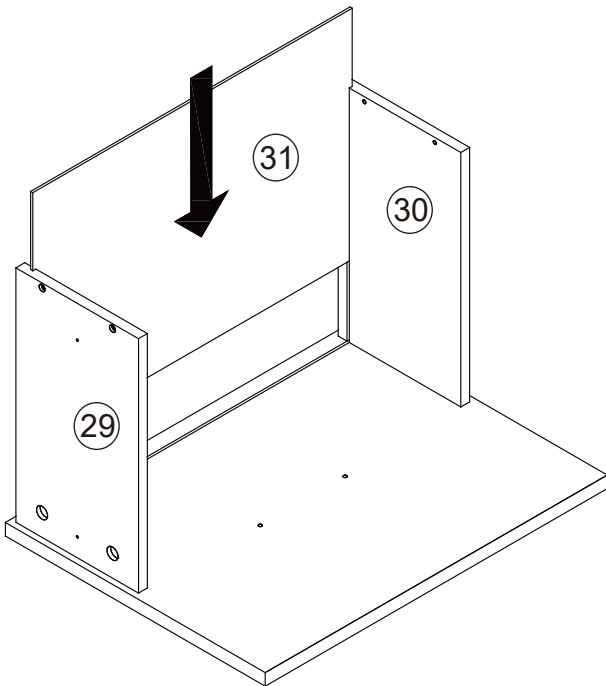
Cam Bolt x12

x3

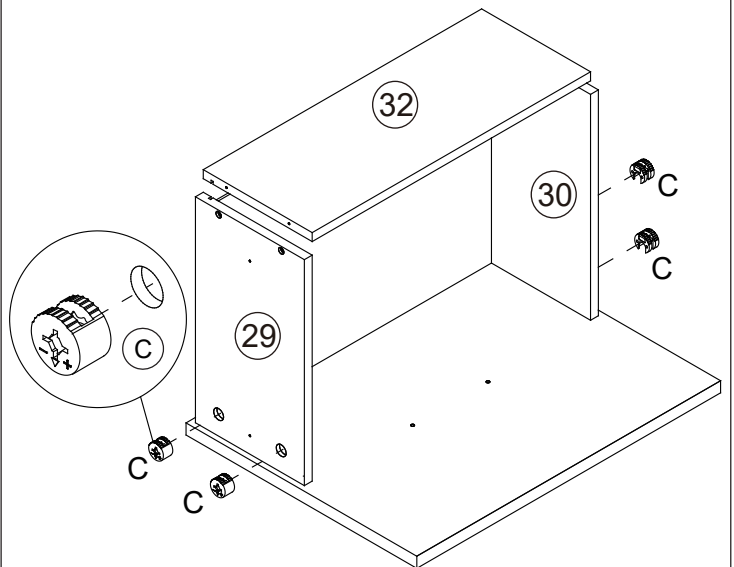


Step 32

x3



x3



C



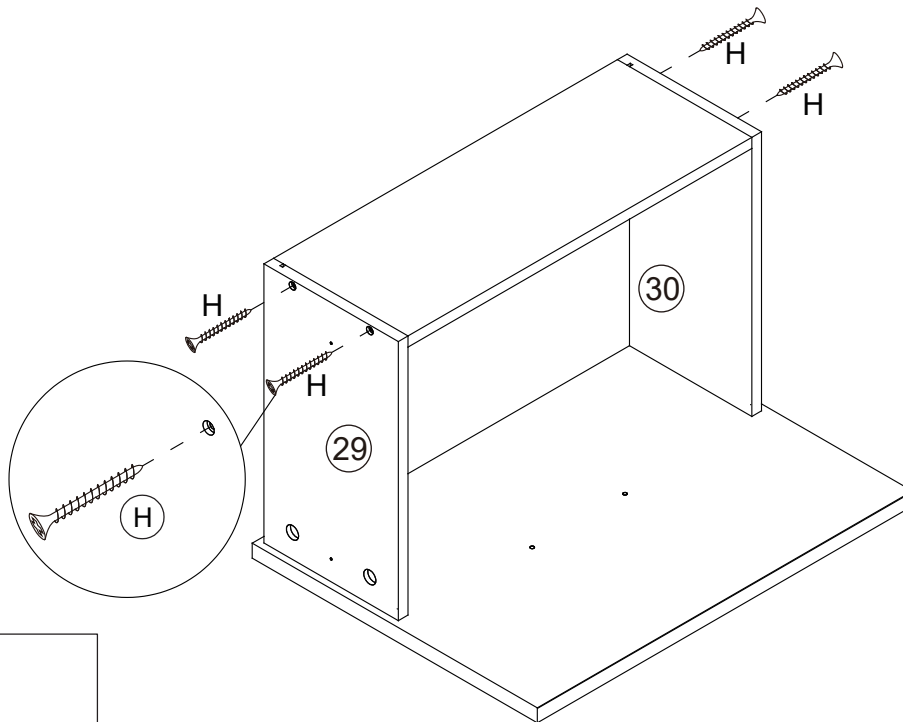
Cam lock x 12

23

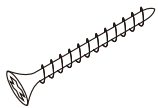
Assembly Instructions

Step 33

x3



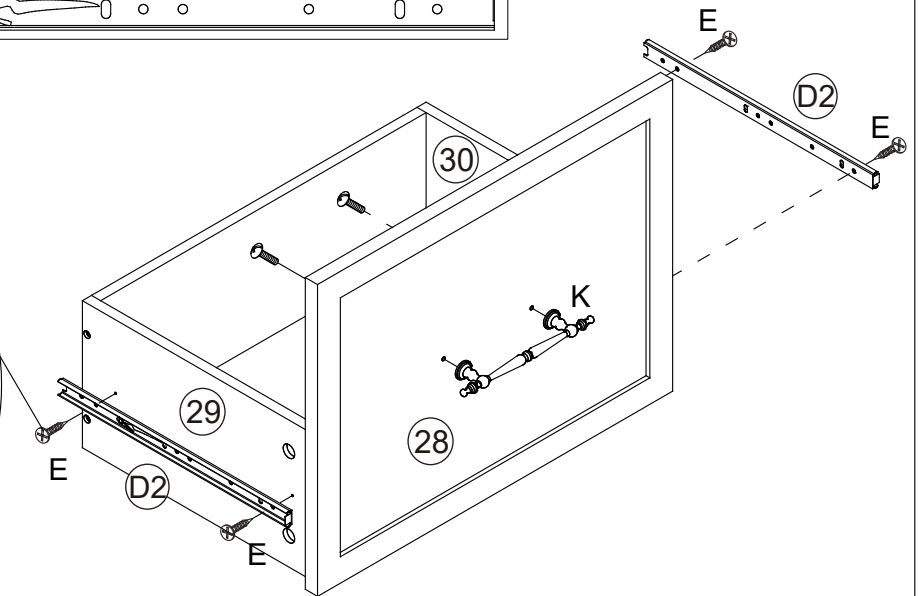
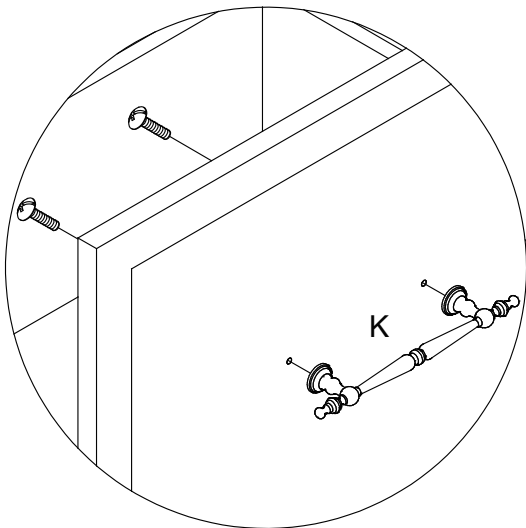
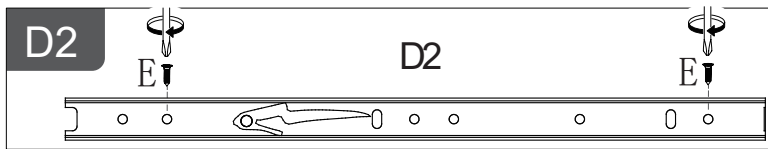
(H)



4*30mm Screw x 12

Step 34

x3

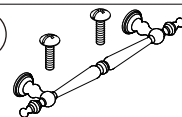


(E)



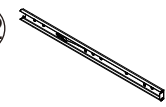
3*12mm Screw x 12

(K)



4*16mm Handle x 3set

(D2)

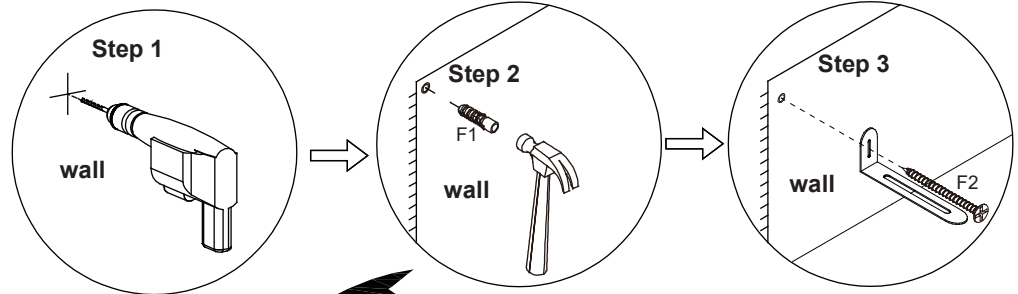


Slide x 6

24

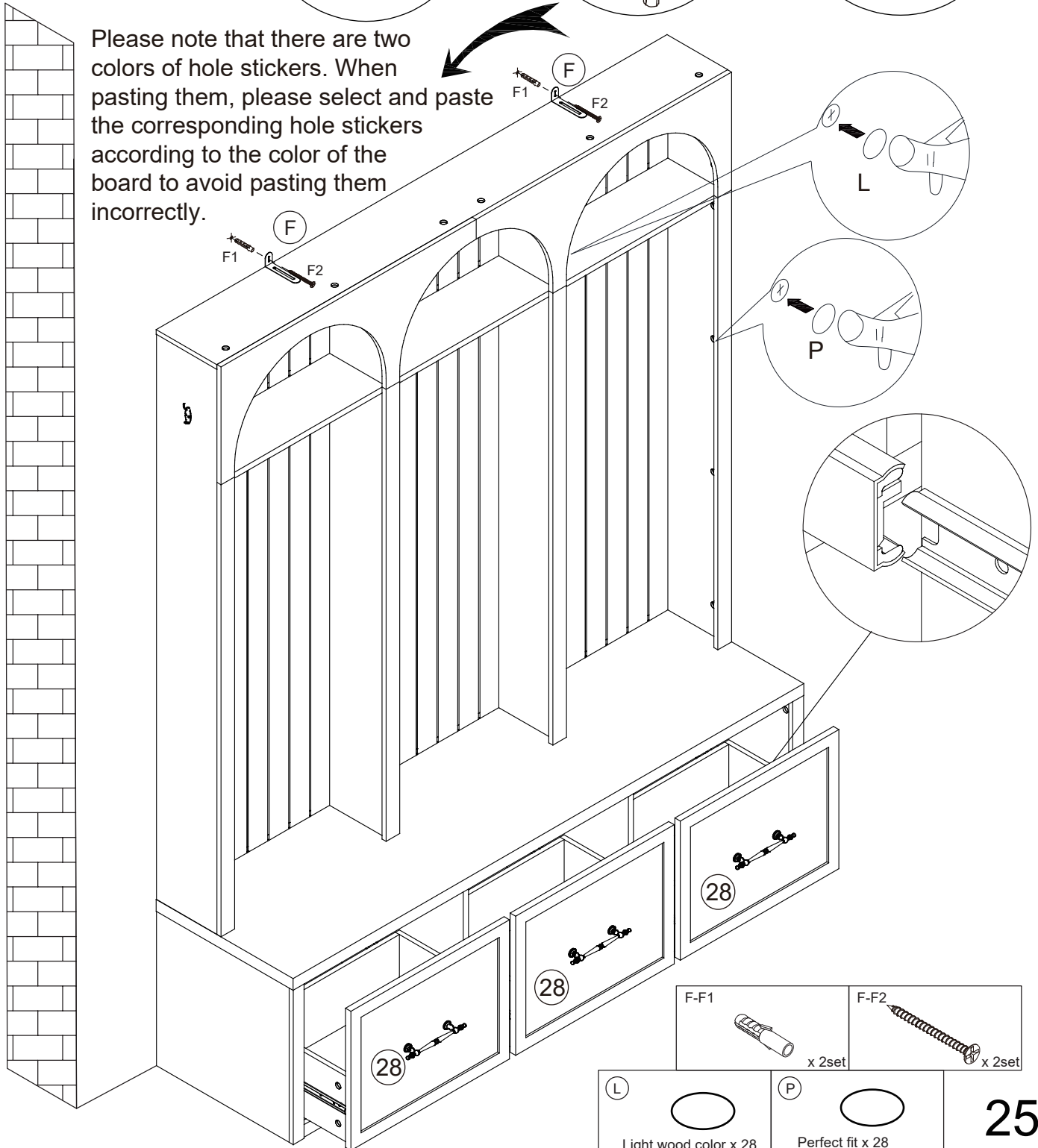
Assembly Instructions

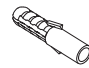



Step 35



WALL

Please note that there are two colors of hole stickers. When pasting them, please select and paste the corresponding hole stickers according to the color of the board to avoid pasting them incorrectly.



F-F1	F-F2
	
x 2set	x 2set
L	P
	
Light wood color x 28	Perfect fit x 28

Assembly Instructions

Finish

