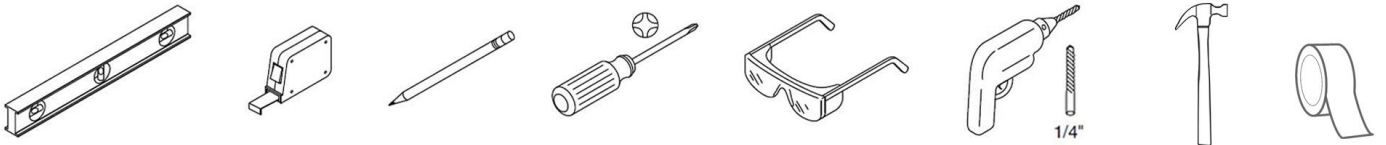


# Installation Guide

## Preparation

1. Before beginning, check all parts are at present, compare parts with package contents list. If any part is missing or damaged, please contact customer service for helping.
2. CAUTION: Do not install where the product might be used as a grab or support bar.
3. Wear safety goggles, use caution when drilling into walls to avoid drilling into electrical and plumbing lines hidden within wall.
4. If mounting into ceramic tile or solid surface, place masking tape on the mounting area before marking the location to prevent drill bit from sliding.

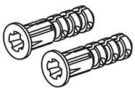
## Recommends These Tools



Level Measure Tape Pencil Phillips Screwdriver Safety Goggles Drill, 1/4" Drill Bit Hammer Tape

## Package Contents: Product x 1, Hardware Set x 1

**A**



Plastic Anchors

**B**



Mounting Screws

**C**



Mounting Bracket

**D**



Setscrew

**E**



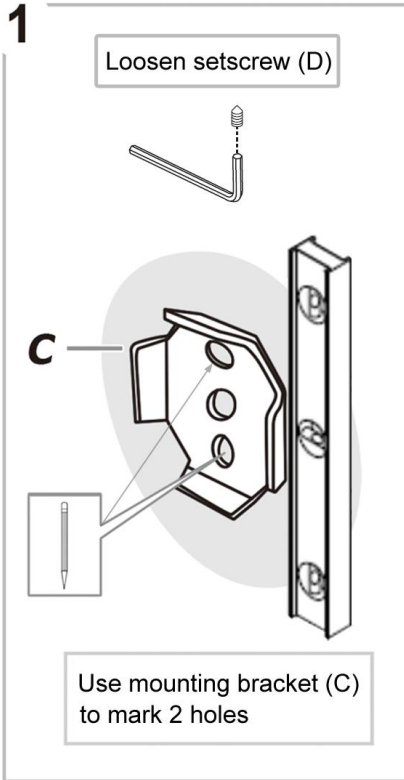
Hex Wrench

## Care and Maintenance

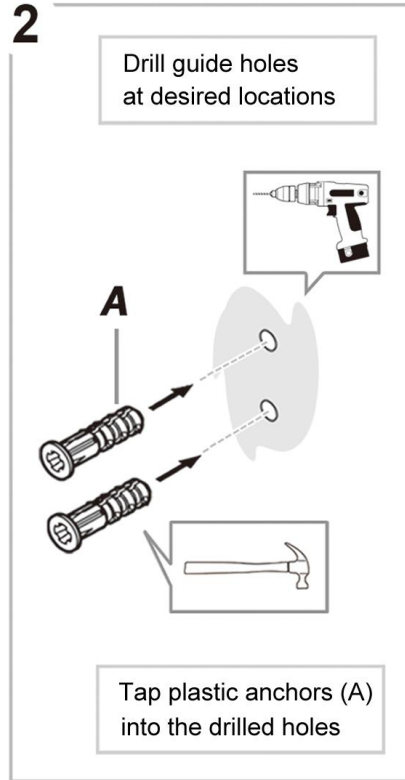
Clean with a soft, damp cloth only. DO NOT USE scrub pads, detergents or cleansers as they may harm the protective finish. Maintenance period should be 1-2 months.

# Installation Steps

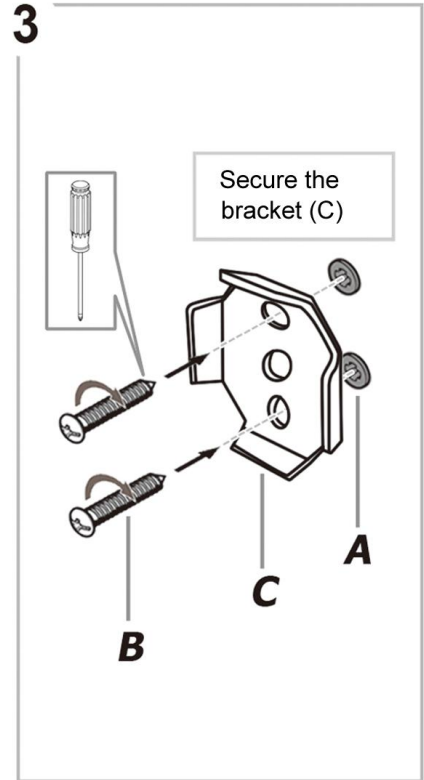
1. Loosen the setscrew at the bottom, then remove mounting bracket and place it on the wall. Make sure that it is level.



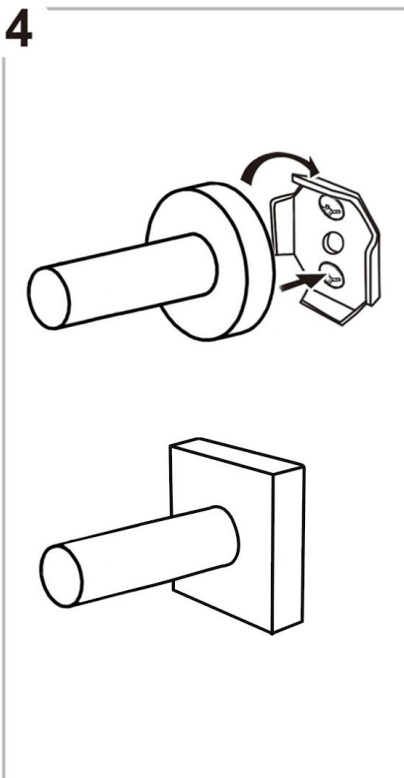
2. Use 1/4" drill bit, drill guide holes where indicated. Push in anchors until flush with wall by hammer.



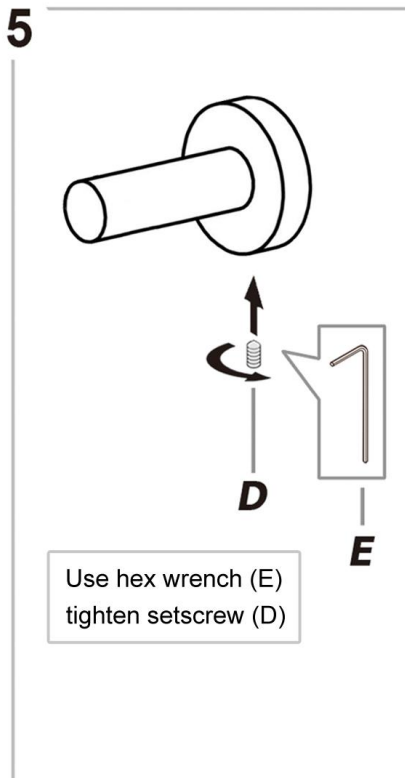
3. Fasten mounting bracket to wall with mounting screws.



4. Position product over mounting bracket.



5. Tighten setscrew with hex wrench.



**6**

Note: Mounting method is the same, no matter which base shape is. If you has problem Please contact us.