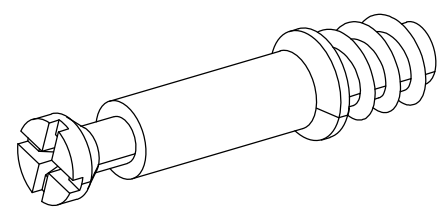


Assembly Instruction

TIPS: Before installation, please read the assembly instructions carefully.

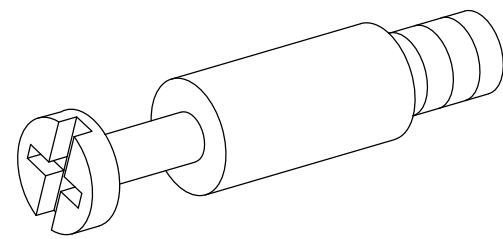
HARDWARE LIST:

JOIN
Ø5*28 12PCS



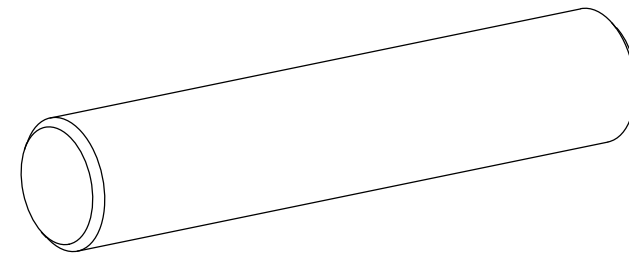
A

JOIN
Ø7*32 12PCS



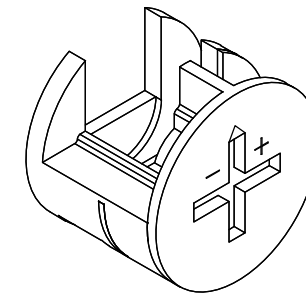
B

WOOD PLUG
Ø8*40 8PCS



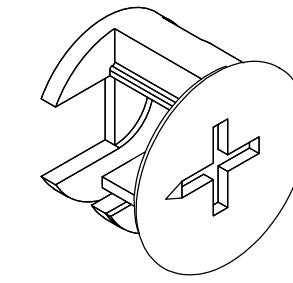
C

JOIN
Ø15*12 12PCS



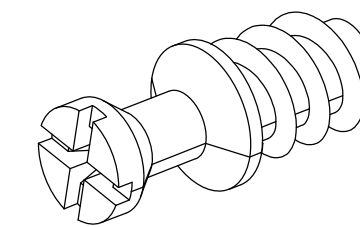
D

JOIN
Ø13*10 12PCS



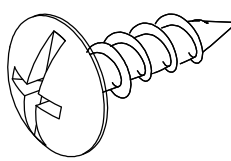
E

JOIN
Ø6*16 4PCS



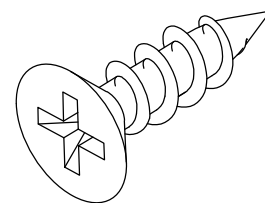
F

SCREW
M4*16 16PCS



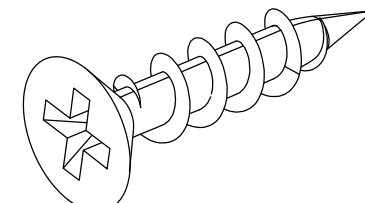
G

SCREW
M3.5*12 6PCS



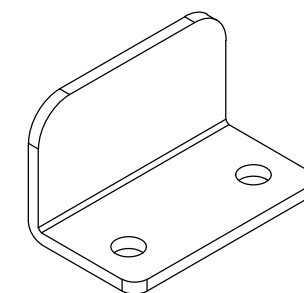
H

SCREW
M4*16 26PCS



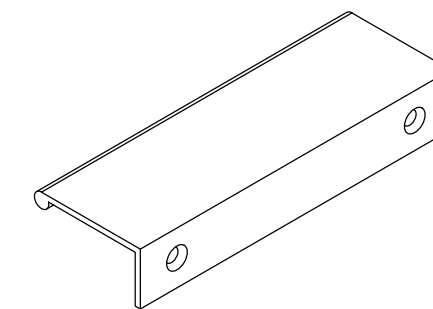
I

DOOR STOP
(30*17*18) 1PCS



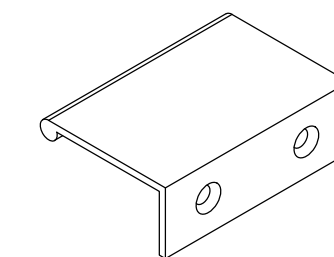
J

HANDLE
(120*36*17) 1PCS



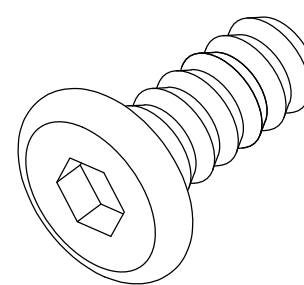
K

HANDLE
(60*36*17) 2PCS



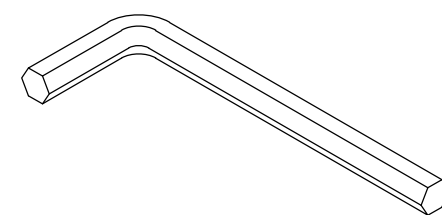
L

SCREW
(M6*16) 16PCS



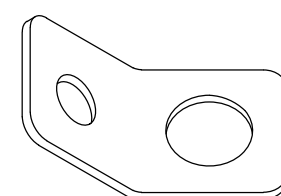
M

ALLEN KEY
Ø4 1PCS



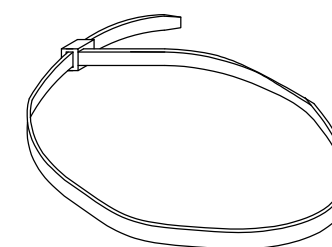
N

BRACKET
13*13*13 4PCS



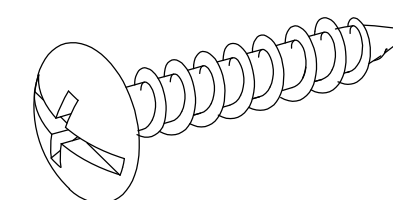
O

RIBBON
290*5 2PCS



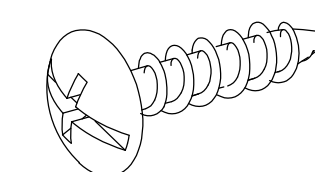
P

SCREW
M4*50 2PCS



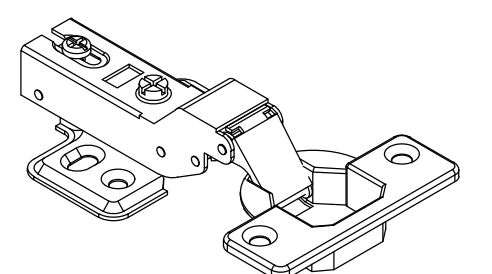
Q

SCREW
M4*20 2PCS



R

HINGE 4PCS



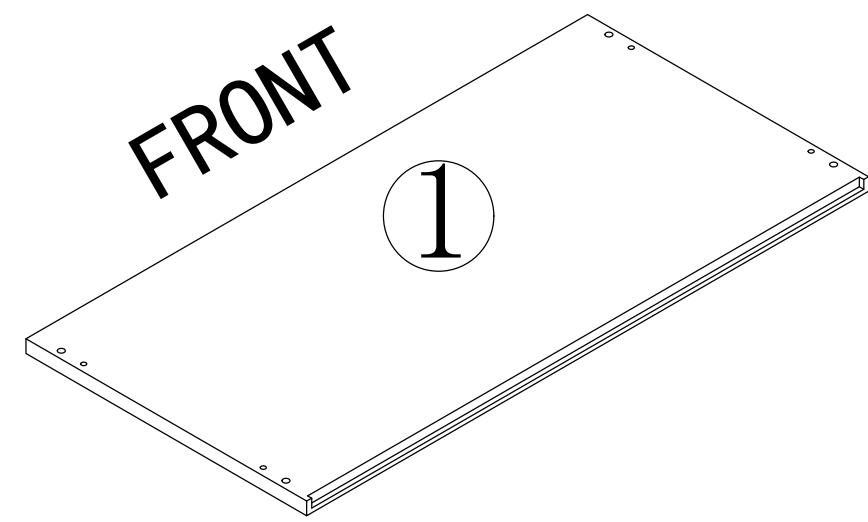
S

Assembly Instruction

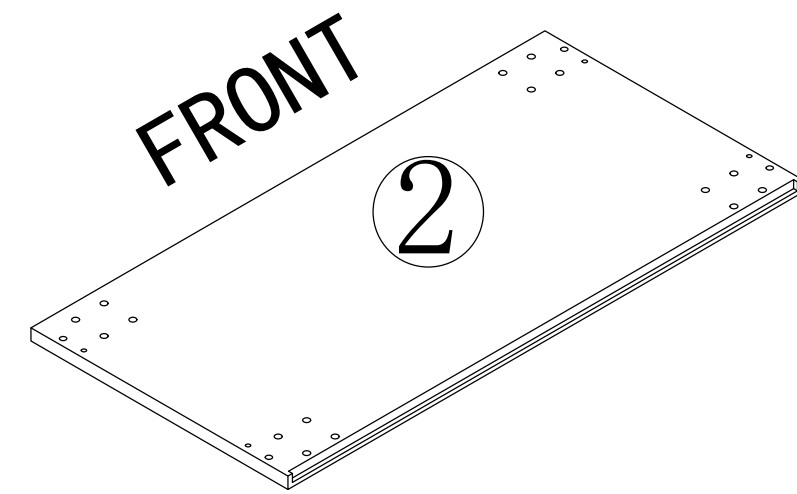
EDITION: A

PART LIST:

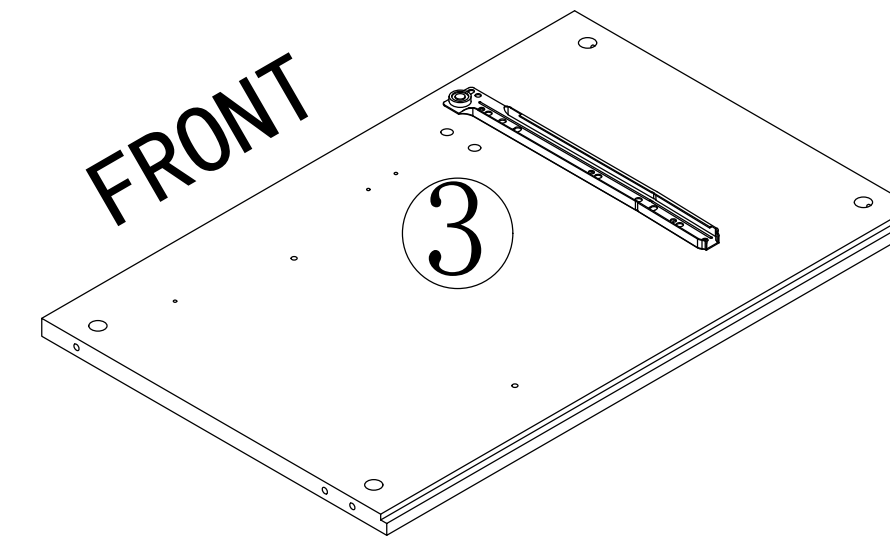
TOP BOARD 1PC



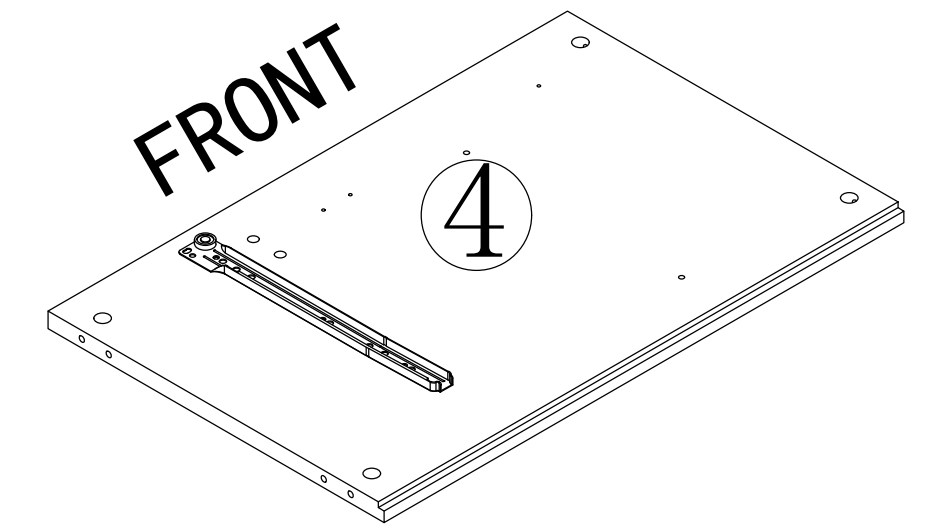
BOTTOM BOARD 1PC



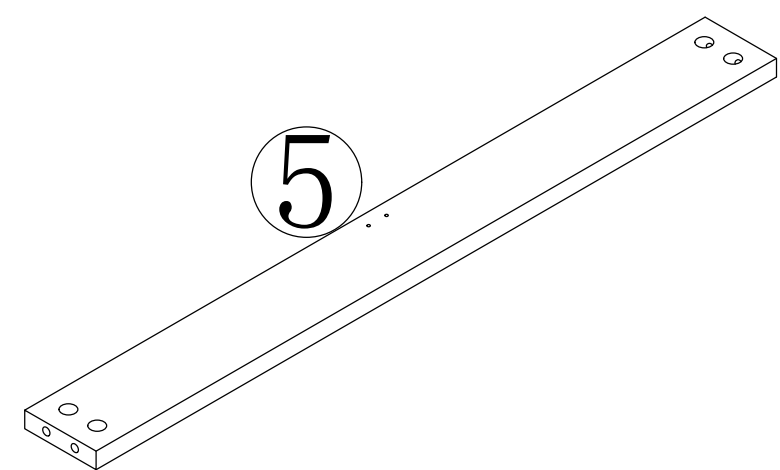
LEFT SIDE BOARD 1PC



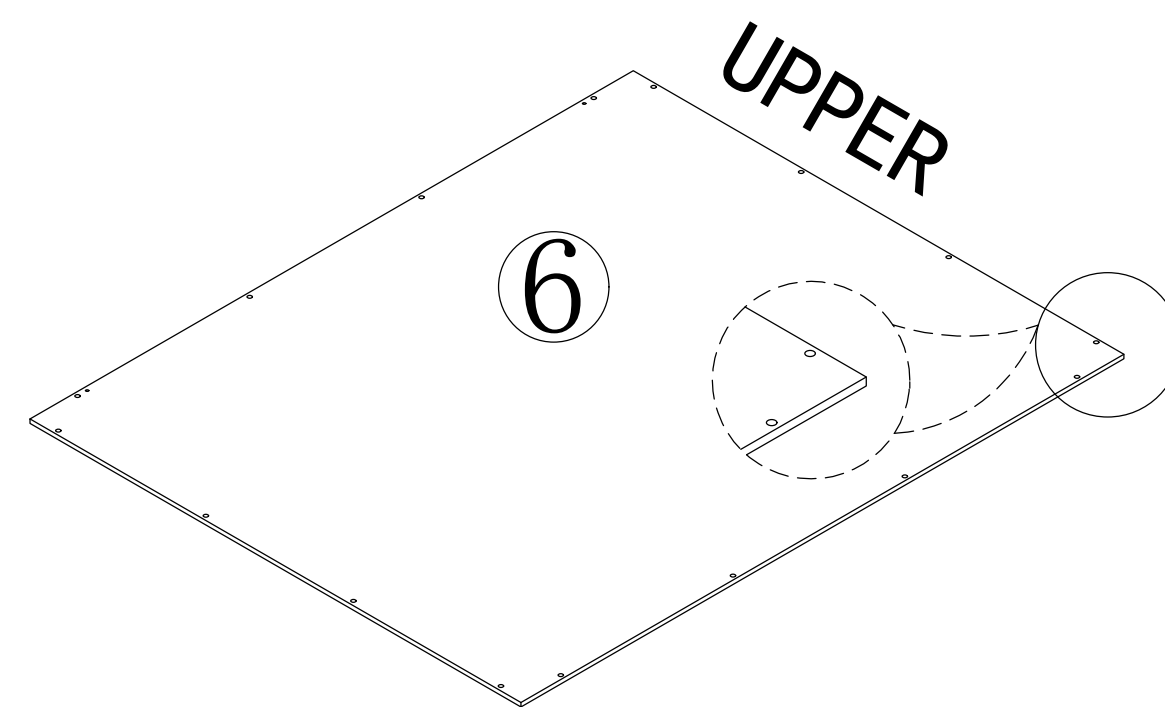
RIGHT SIDE BOARD 1PC



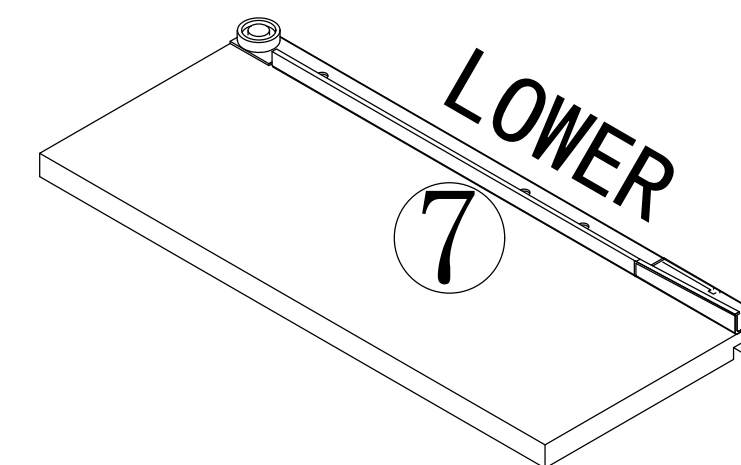
FRONT BOTTOM RAIL 1PC



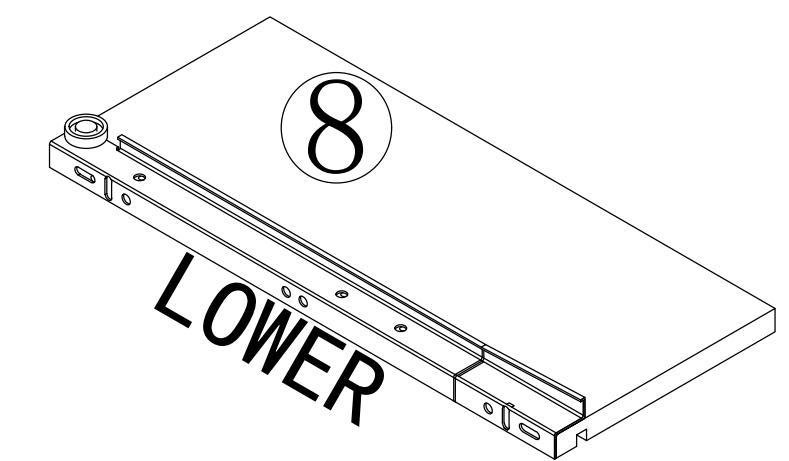
BACK BOARD 1PC



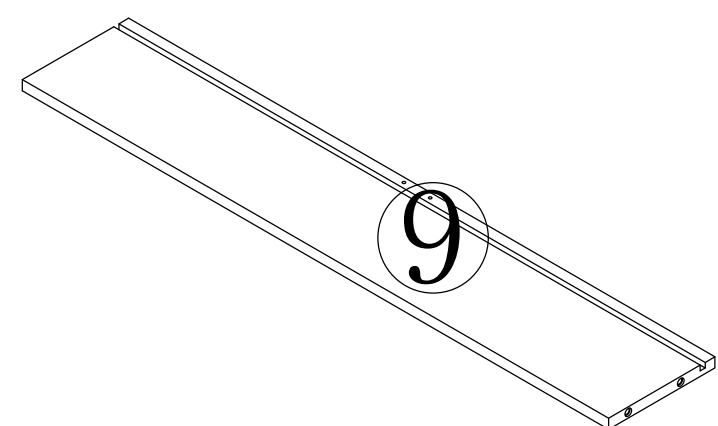
DRAWER LEFT
SIDE PANEL 1PC



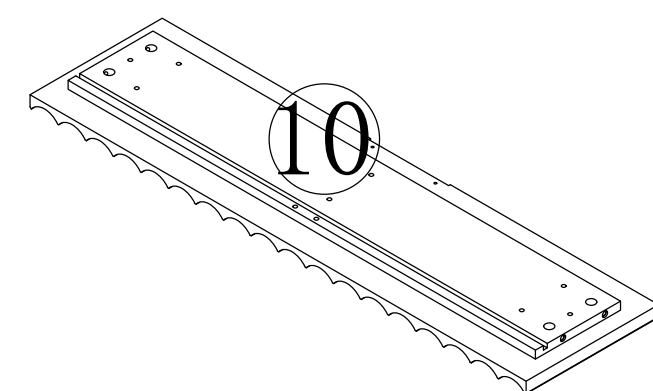
DRAWER RIGHT
SIDE PANEL 1PC



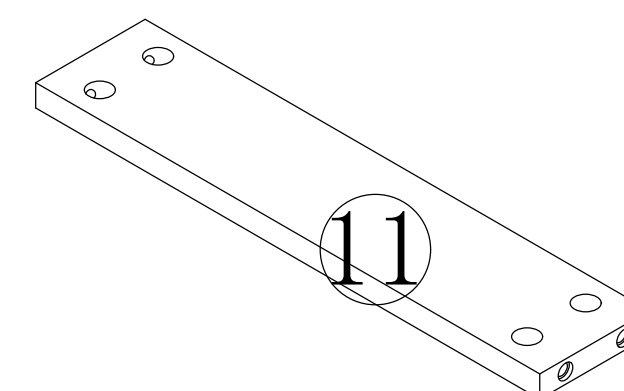
DRAWER BACK PANE 1PC



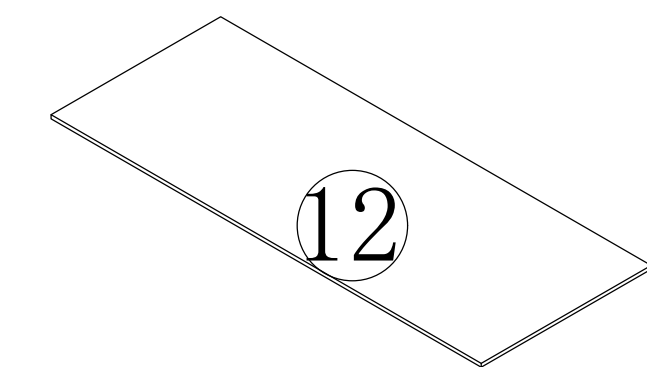
DRAWER FRONT 1PC



DRAWER BOTTOM BAR 1PC



DRAWER BOTTOM PANEL 1PC

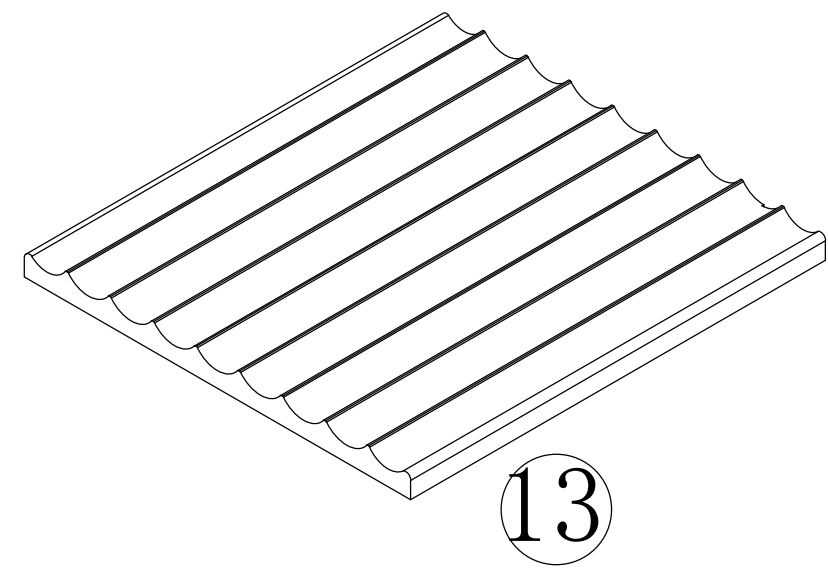


Assembly Instruction

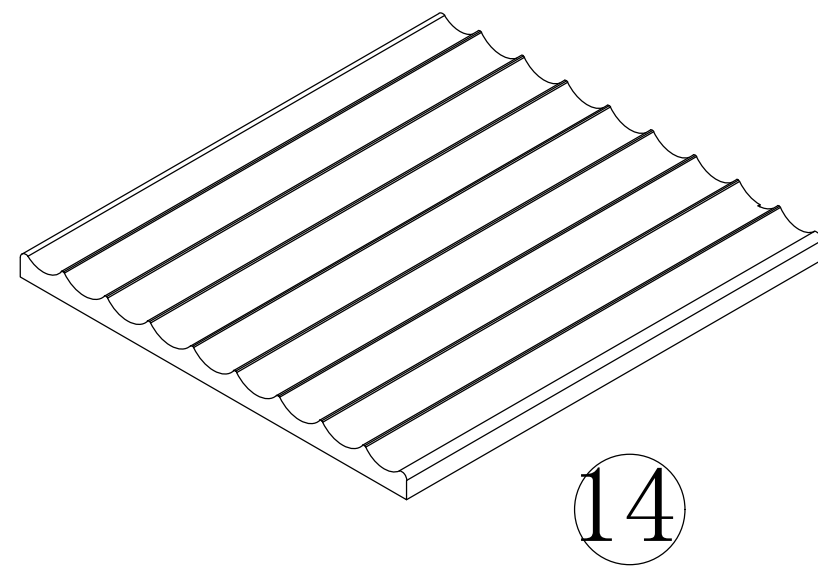
EDITION: A

PART LIST:

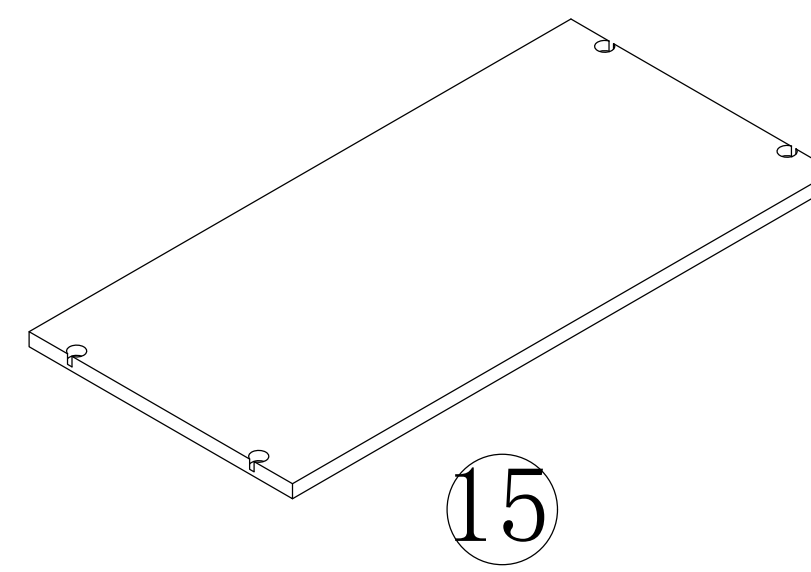
LEFT DOOR 1PCS



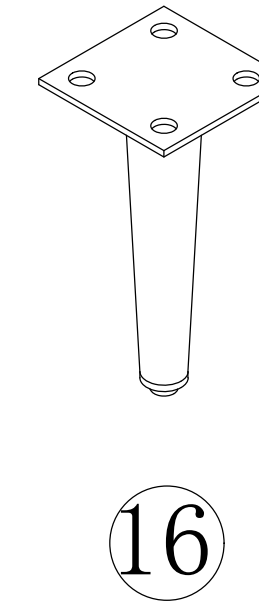
RIGHT DOOR 1PCS



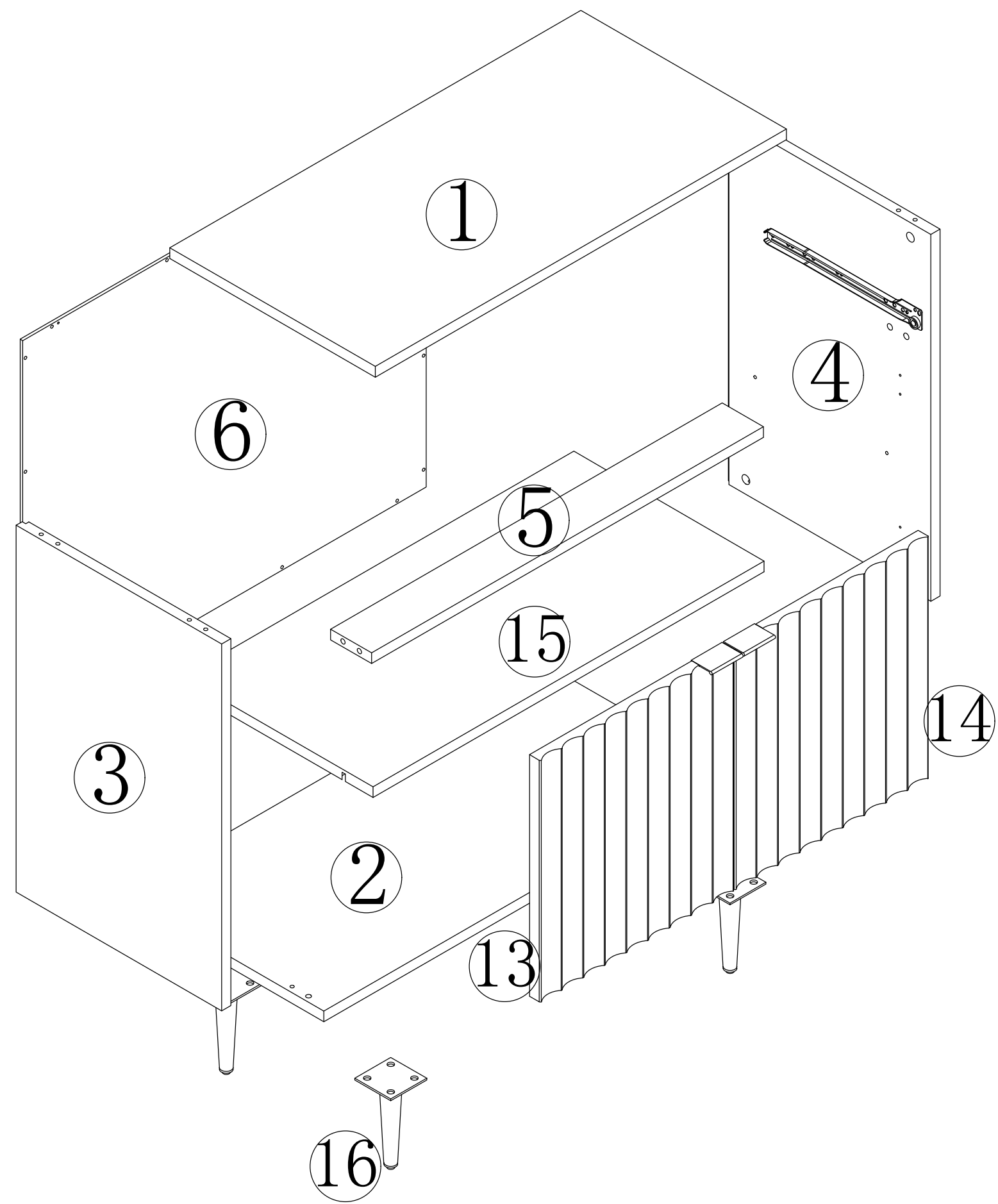
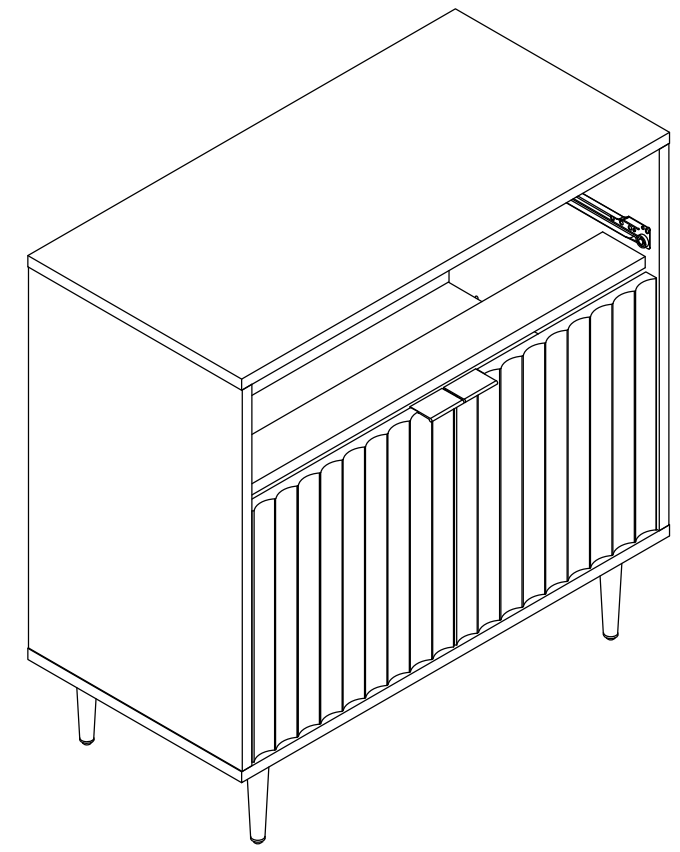
FIXED SHELF 1PC



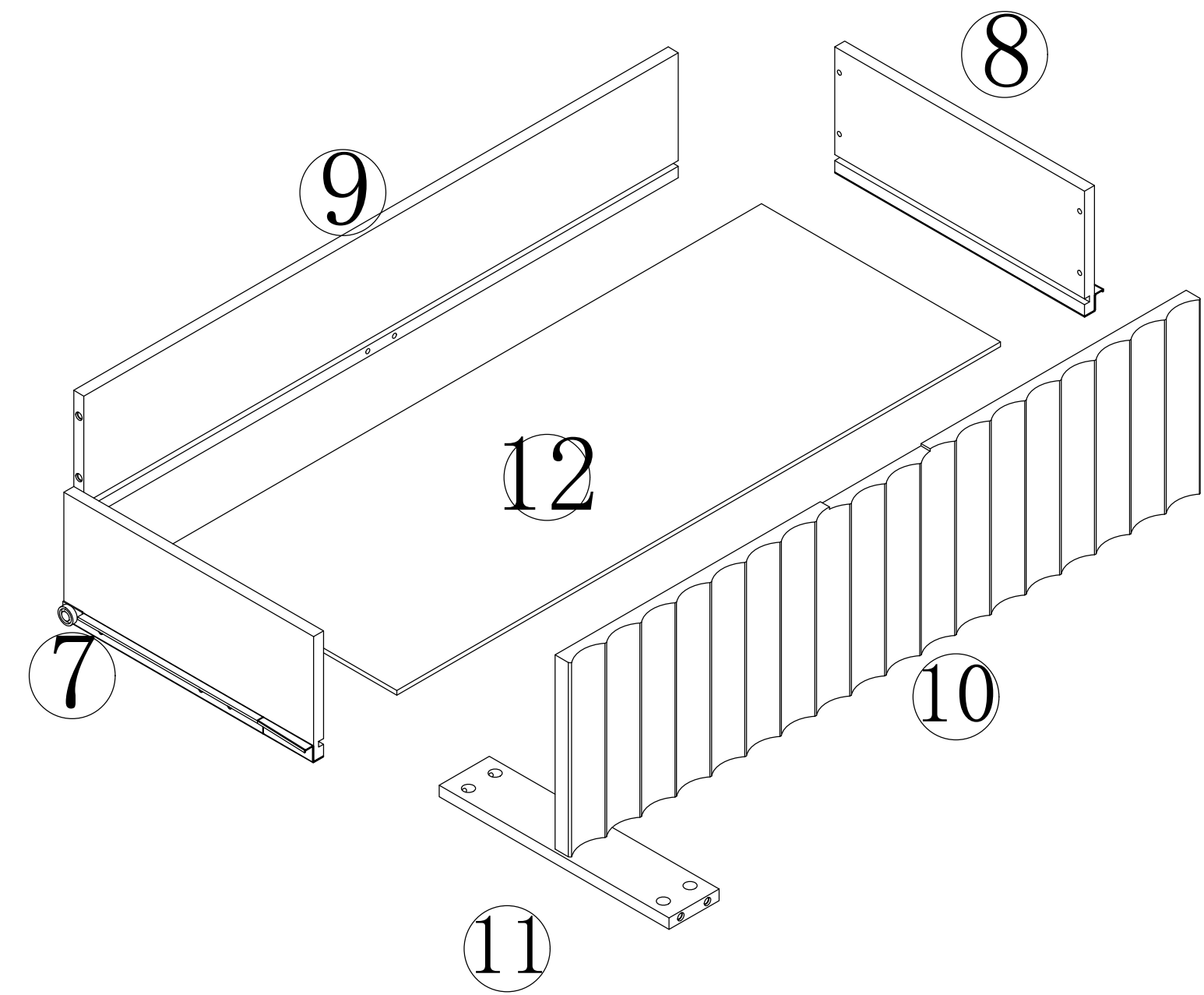
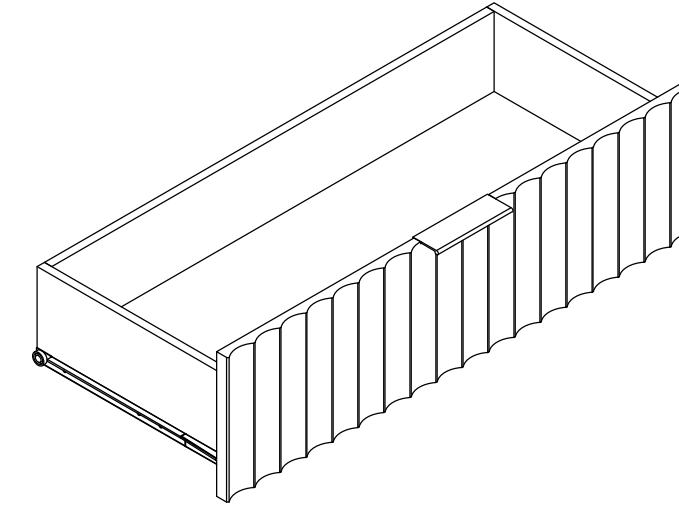
LEGS 4PCS



STEP 1

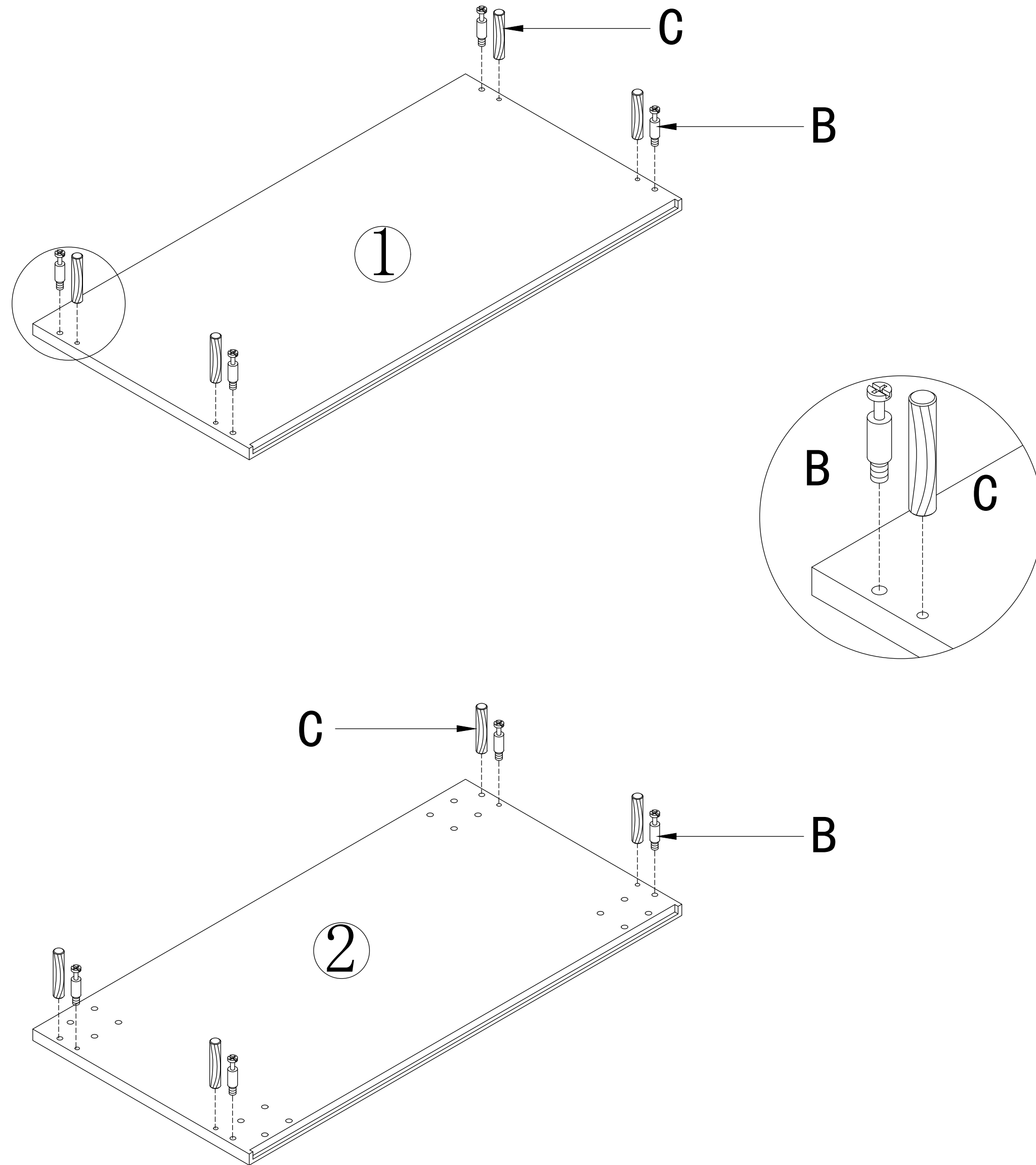


STEP 2



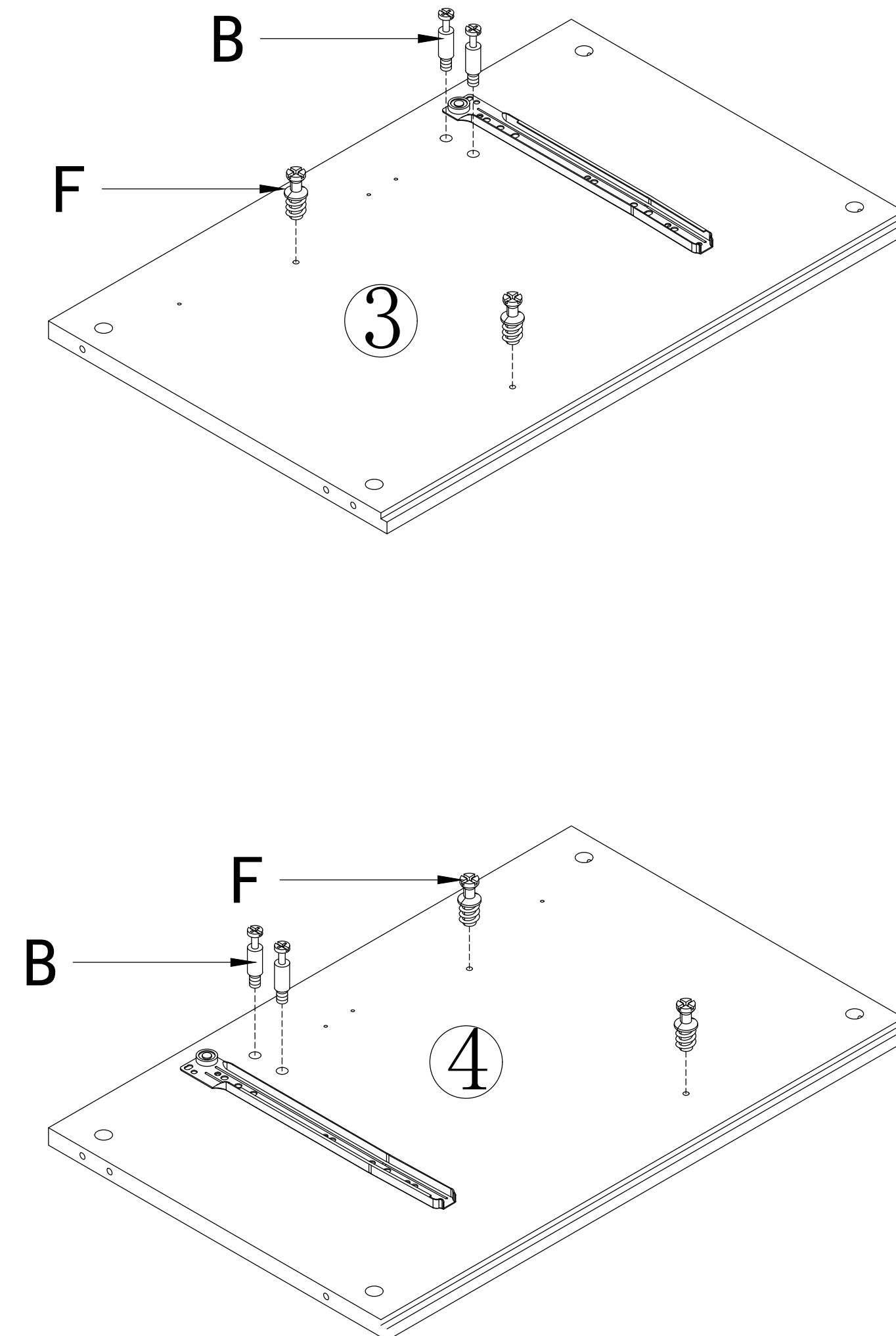
STEP 3

(B $\phi 7*32$ 8PCS)
(C $\phi 8*40$ 8PCS)

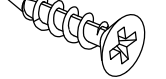


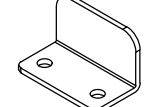
STEP 4

(B $\phi 7*32$ 4PCS)
(F $\phi 6*16$ 4PCS)

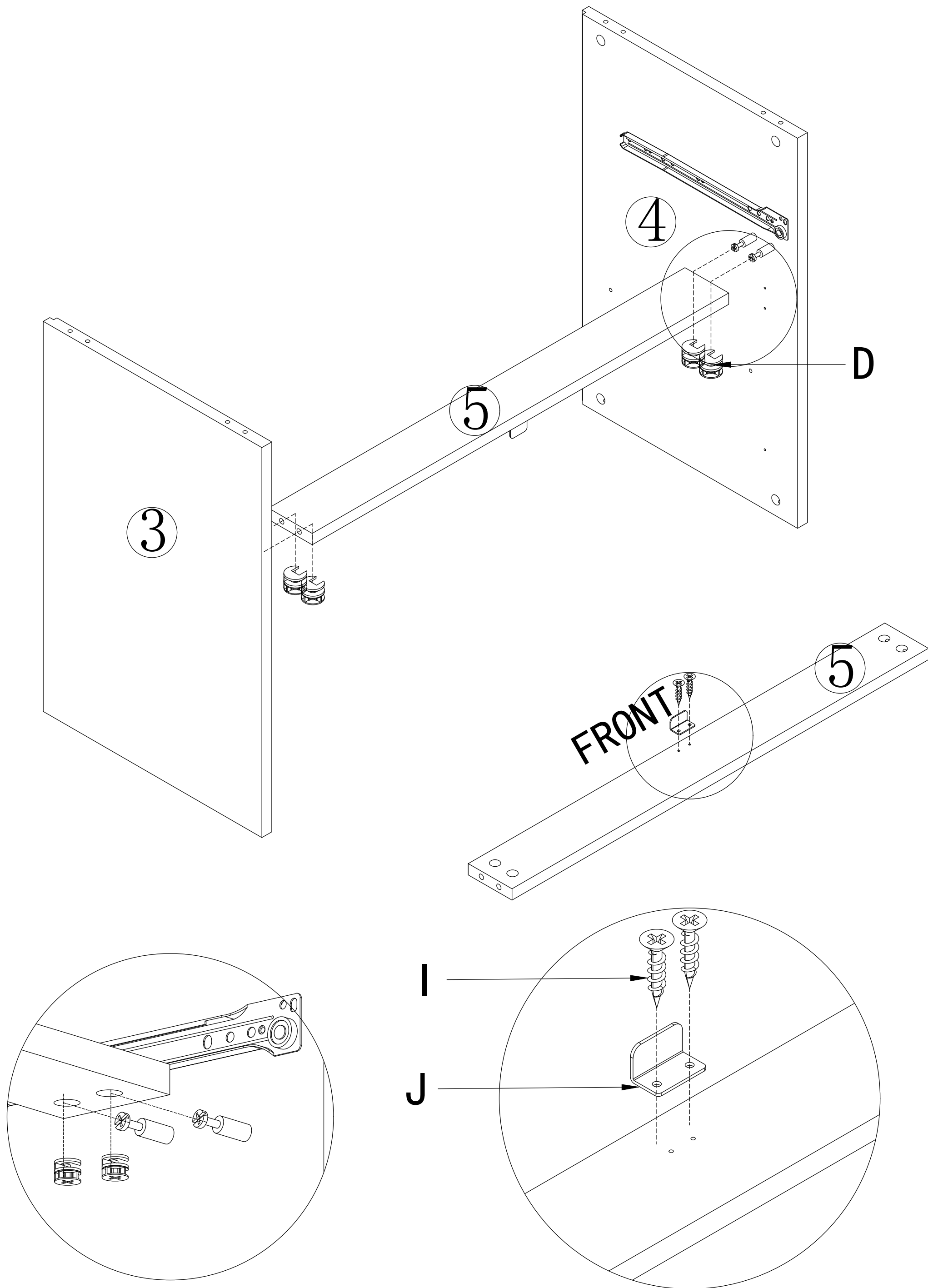


STEP 5

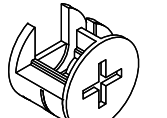
(I M4*16  2PCS)

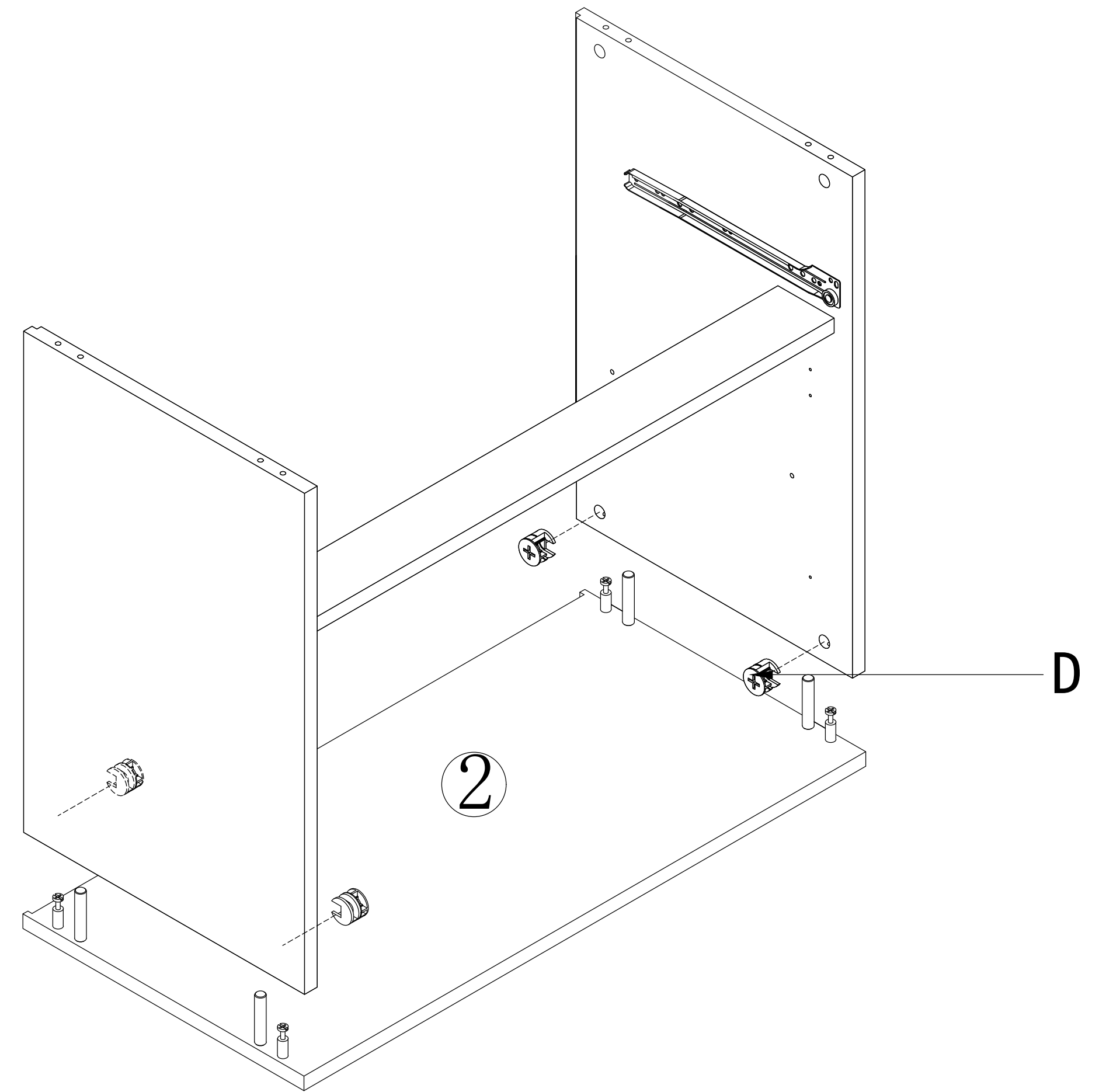
(J 30*17*18  1PC)

(D ϕ 15*12  4PCS)

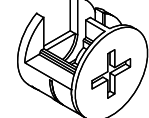


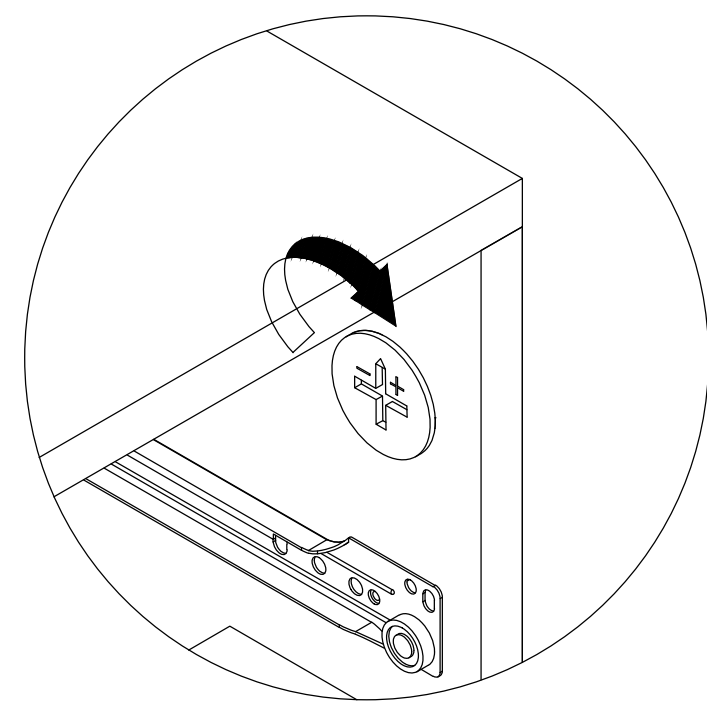
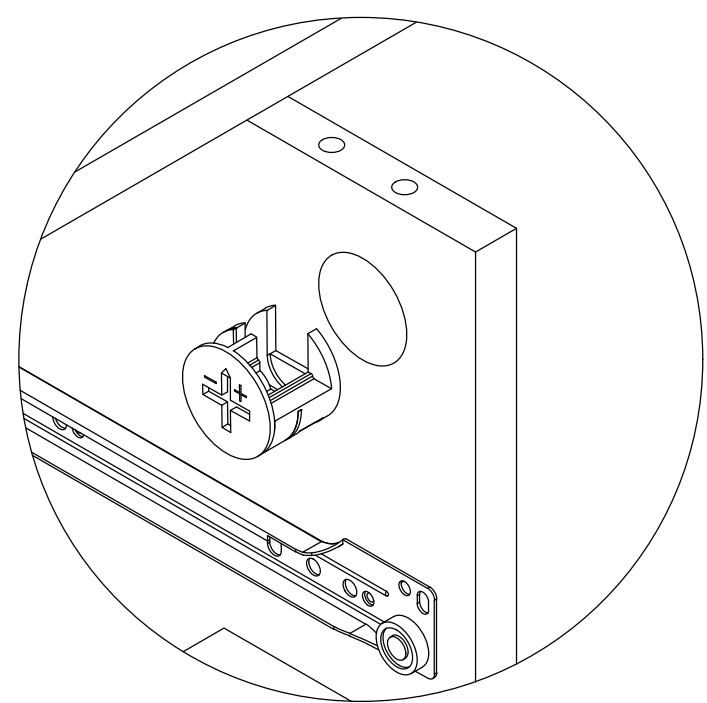
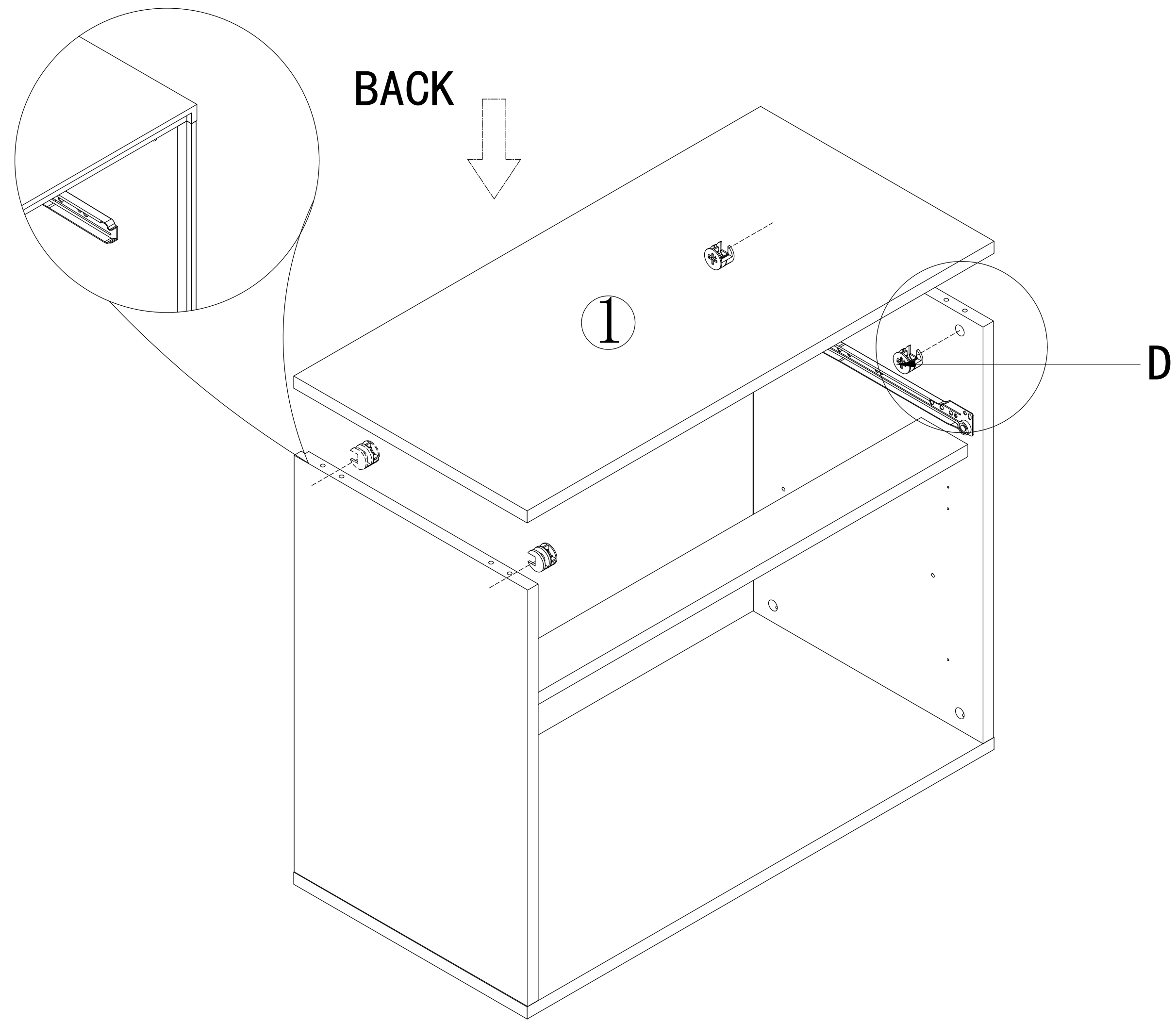
STEP 6

(D ϕ 15*12  4PCS)

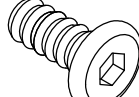


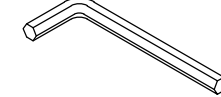
STEP 6

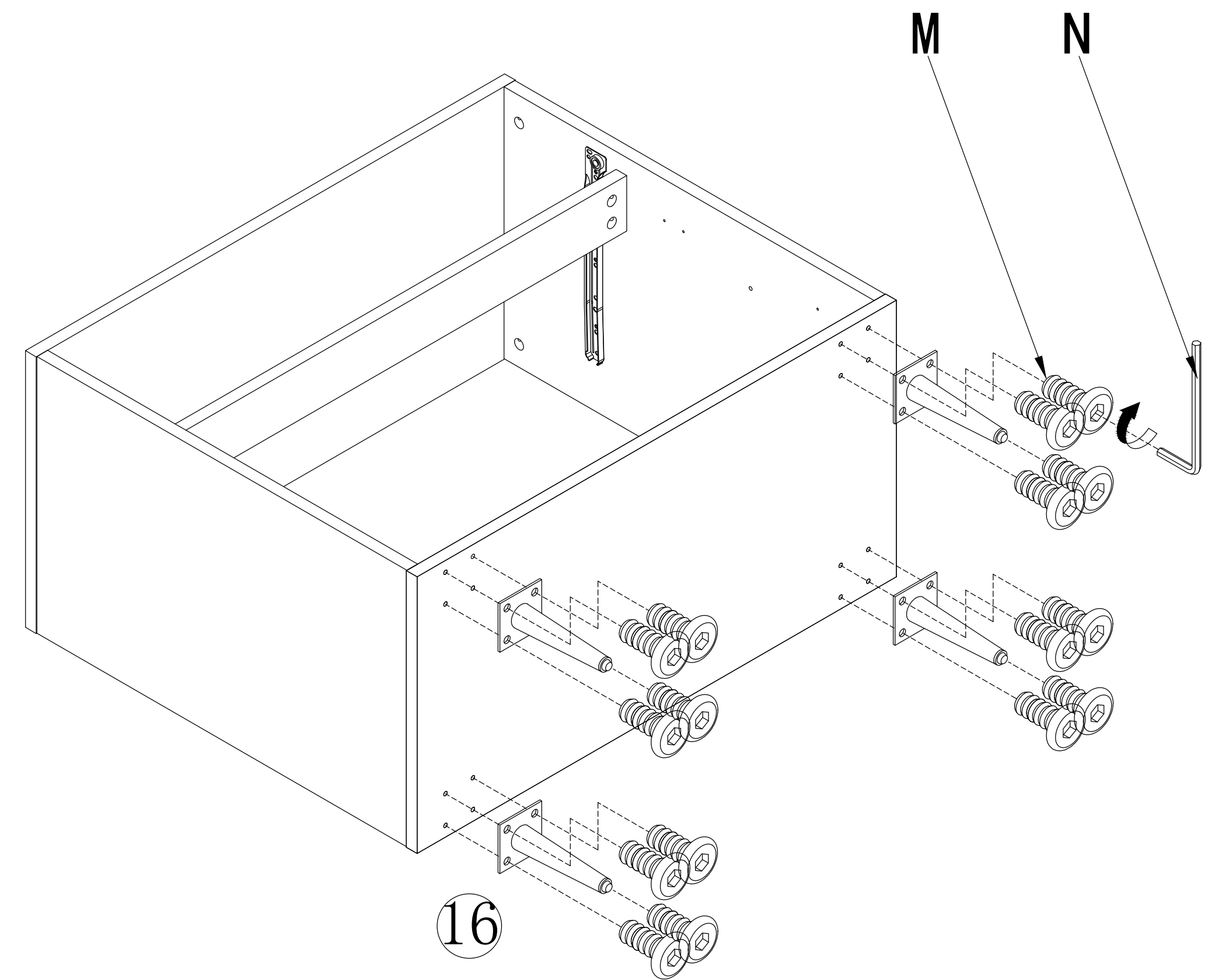
(D $\phi 15*12$  4PCS)



STEP 7

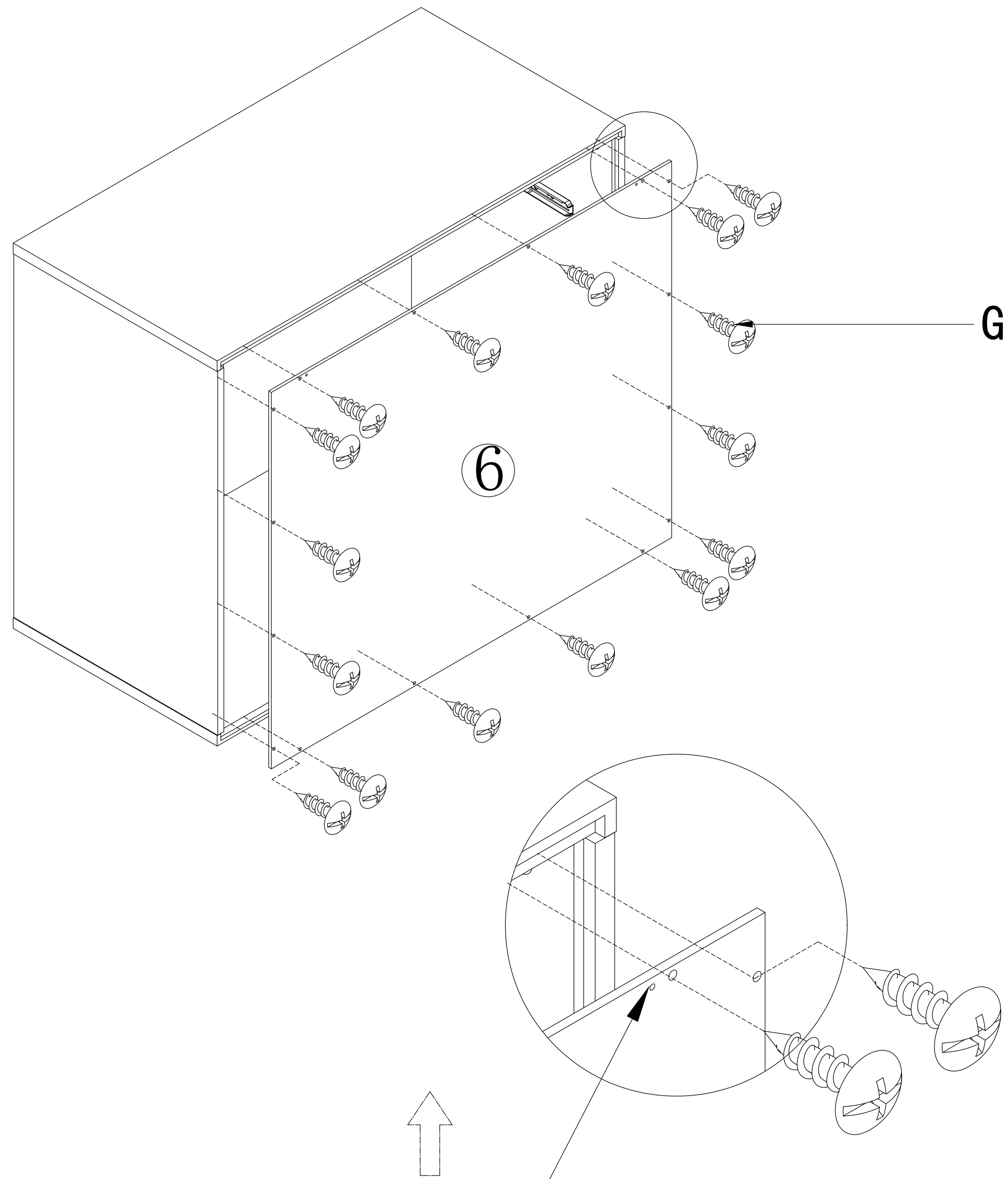
(M M6*16  16PCS)

(N $\phi 4$  1PC)



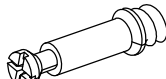
STEP 8

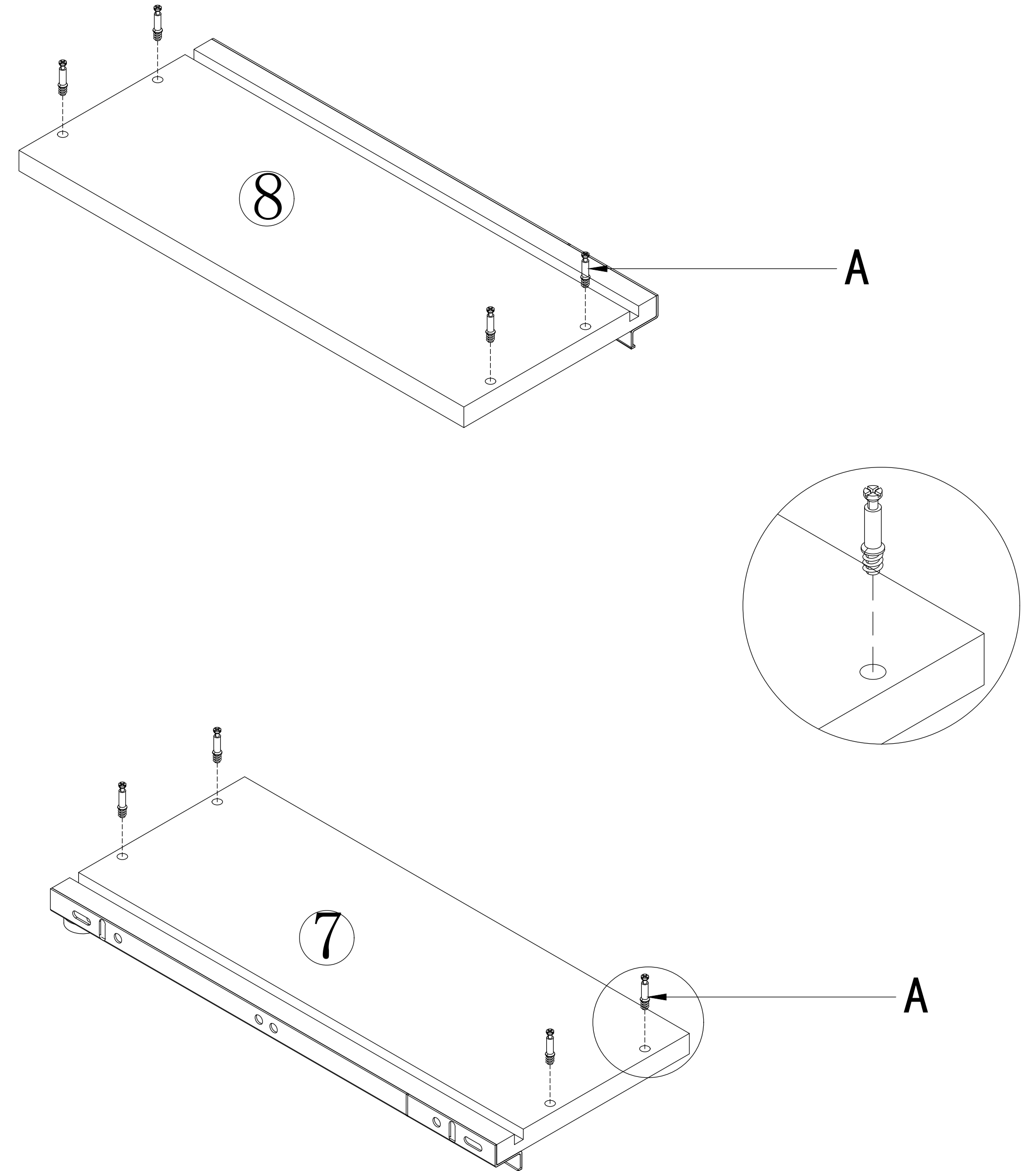
(G M4*16  16PCS)



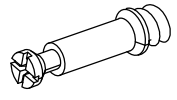
ANTI-TIPPING HOLE IS FACING UPWARDS

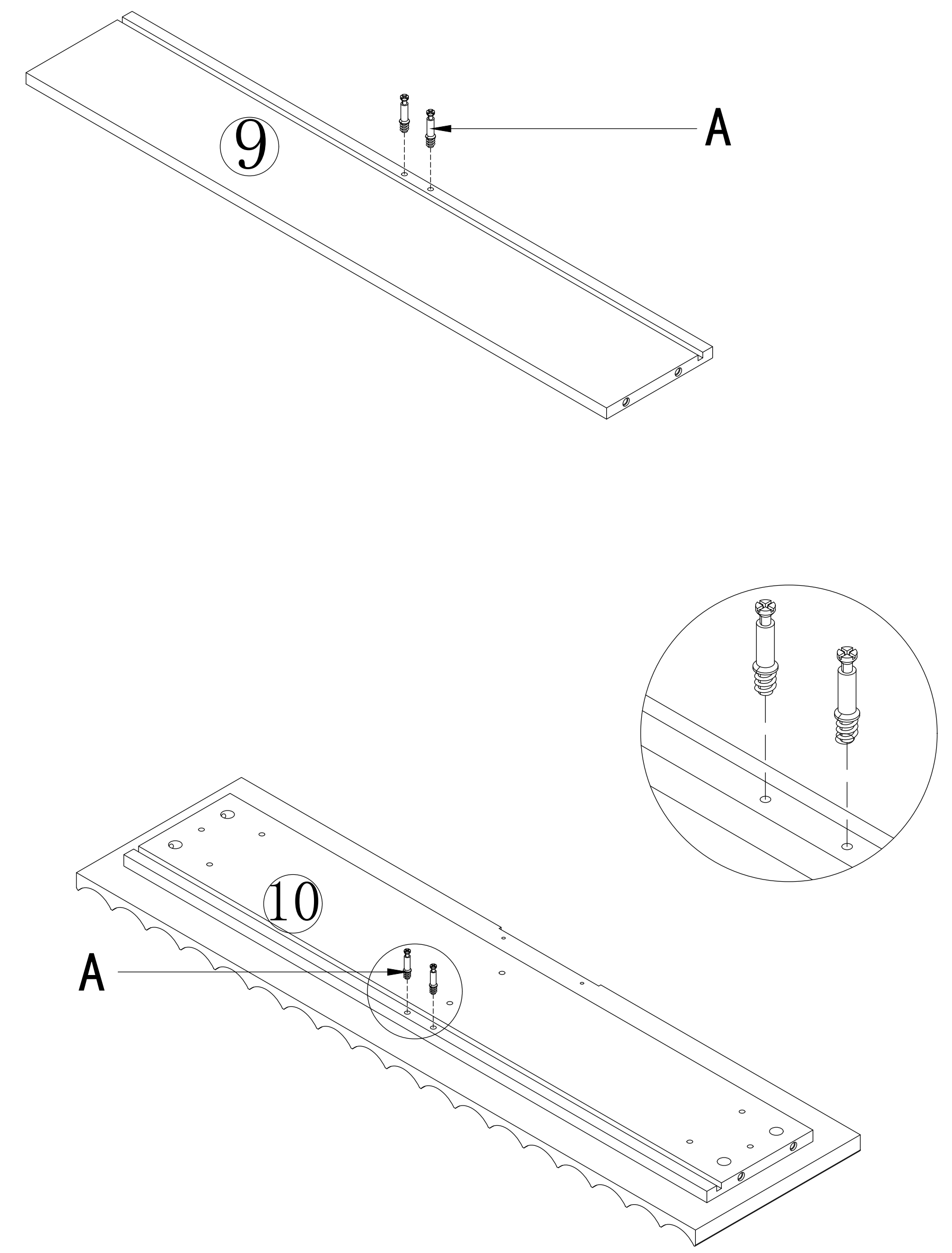
STEP 9

(A $\phi 5*28$  8PCS)

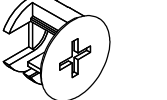


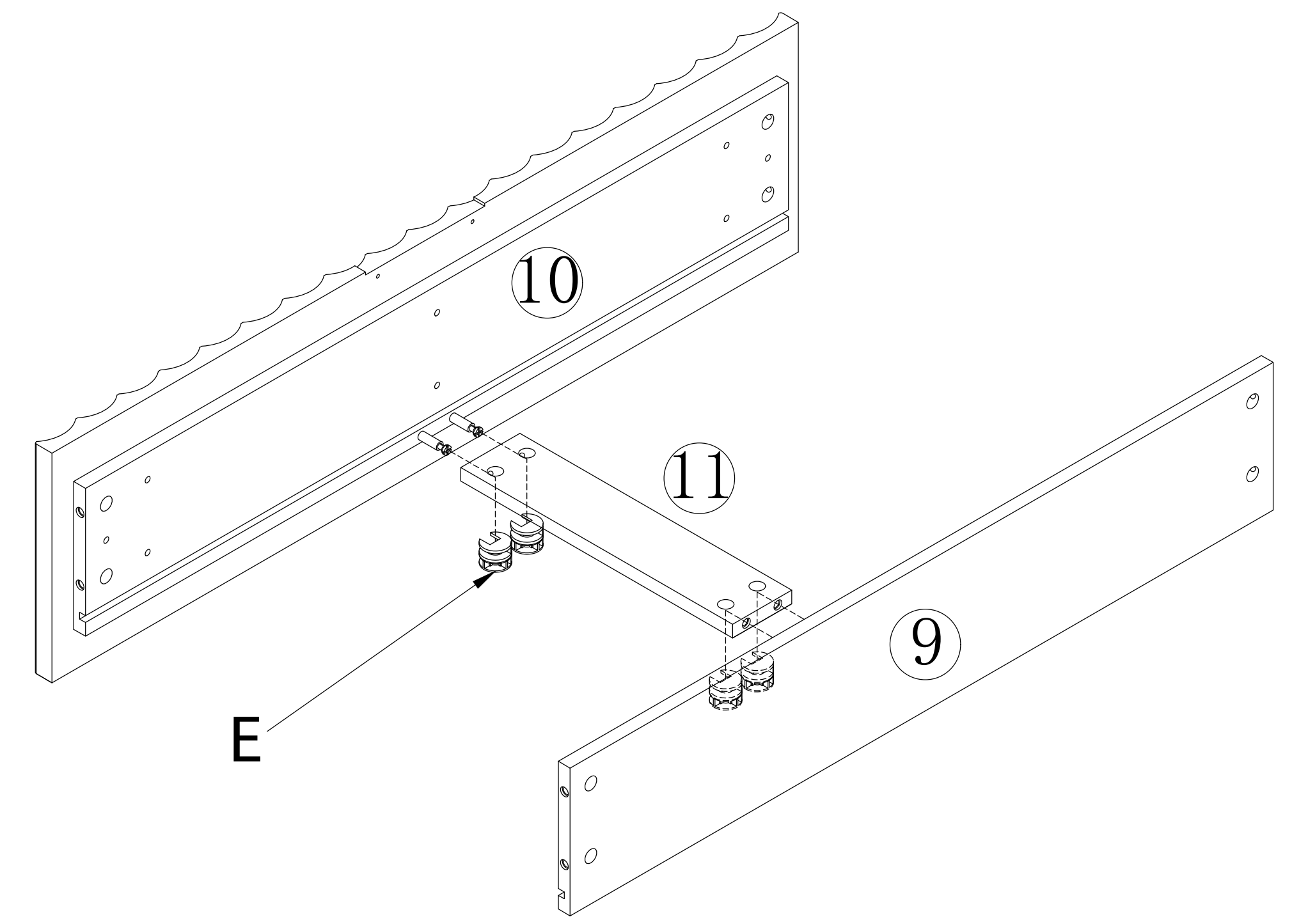
STEP 10

(A $\phi 5*28$  4PCS)

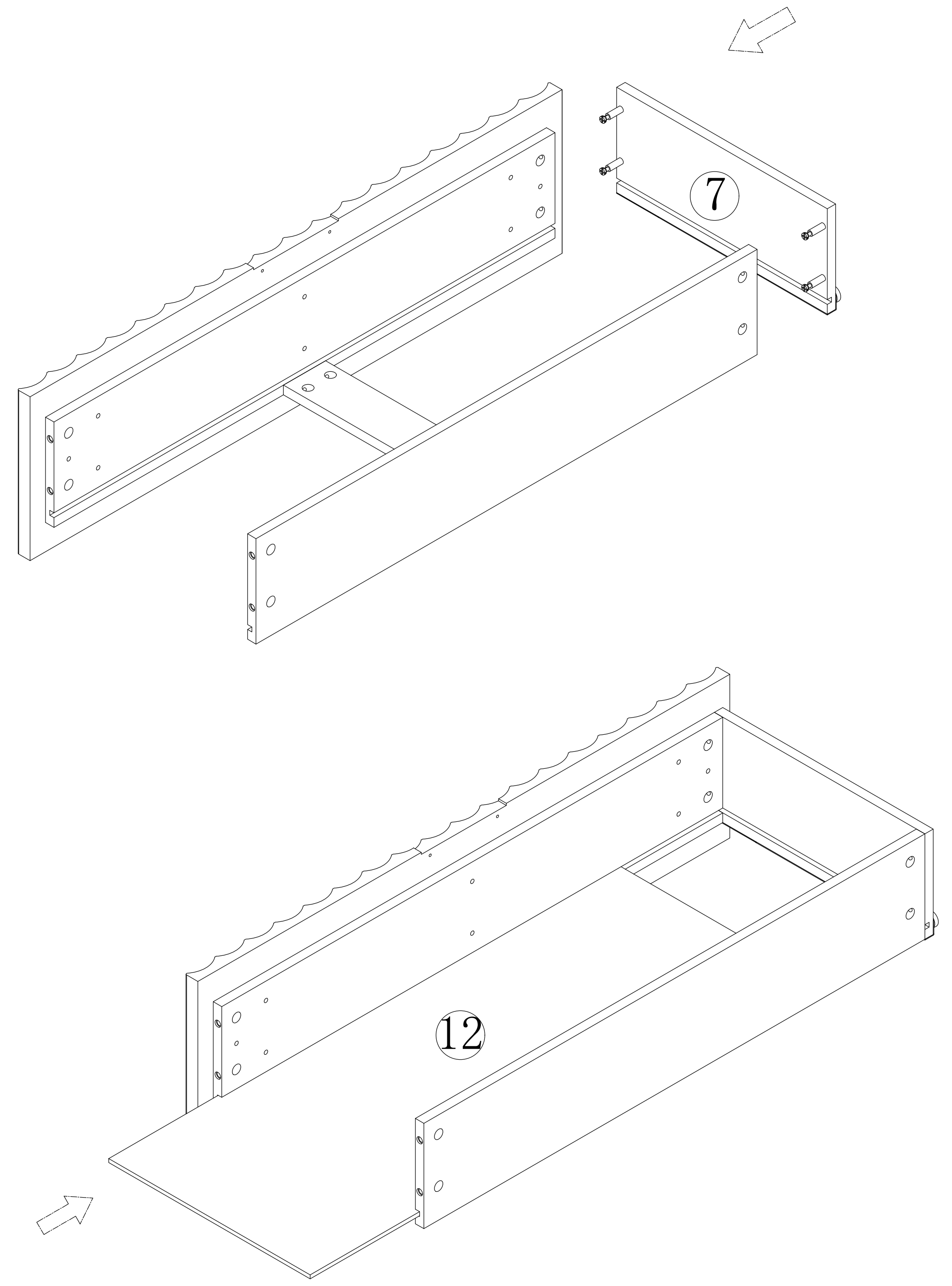


STEP 11

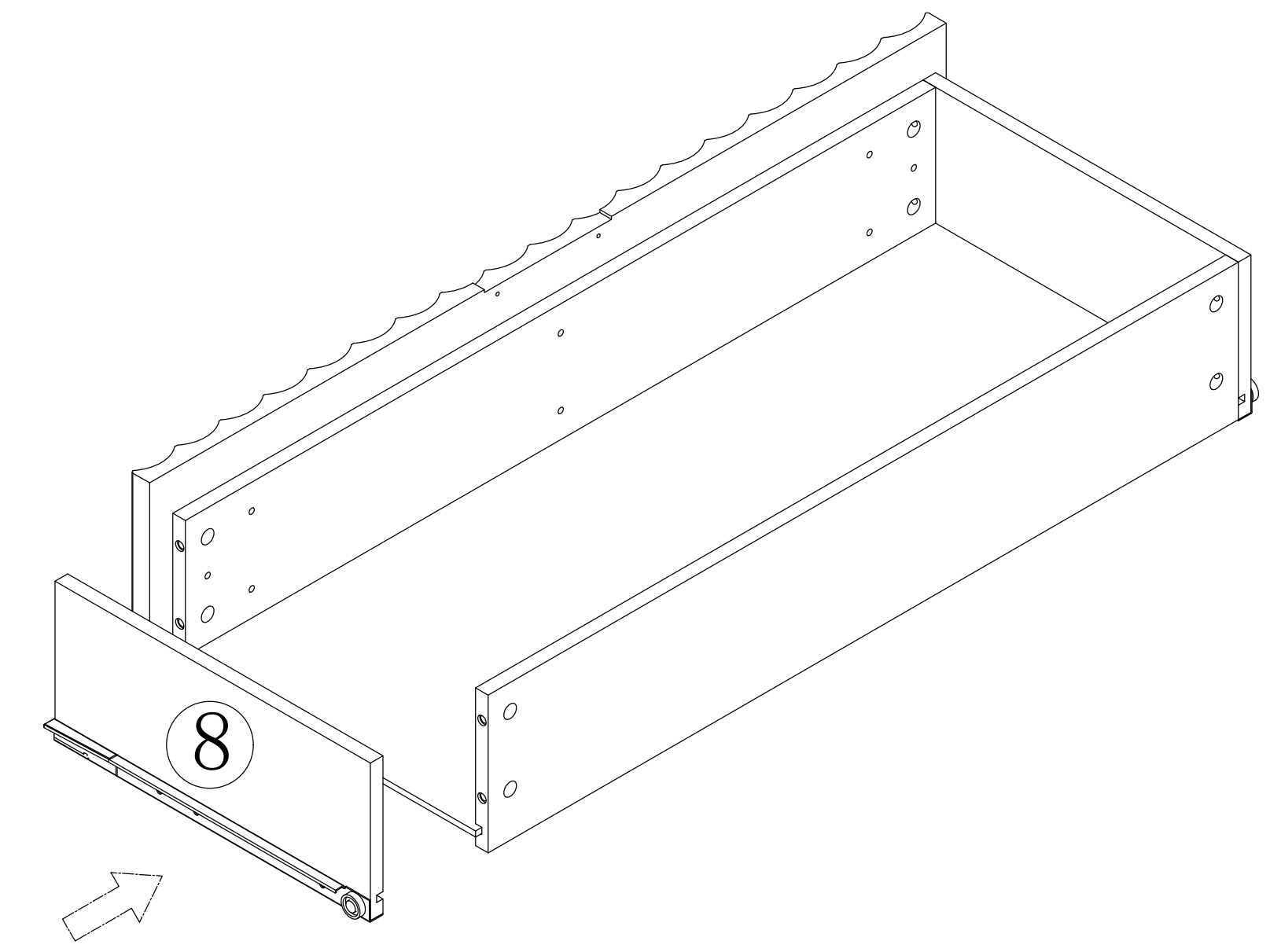
(E $\phi 13*10$  4PCS)



STEP 12

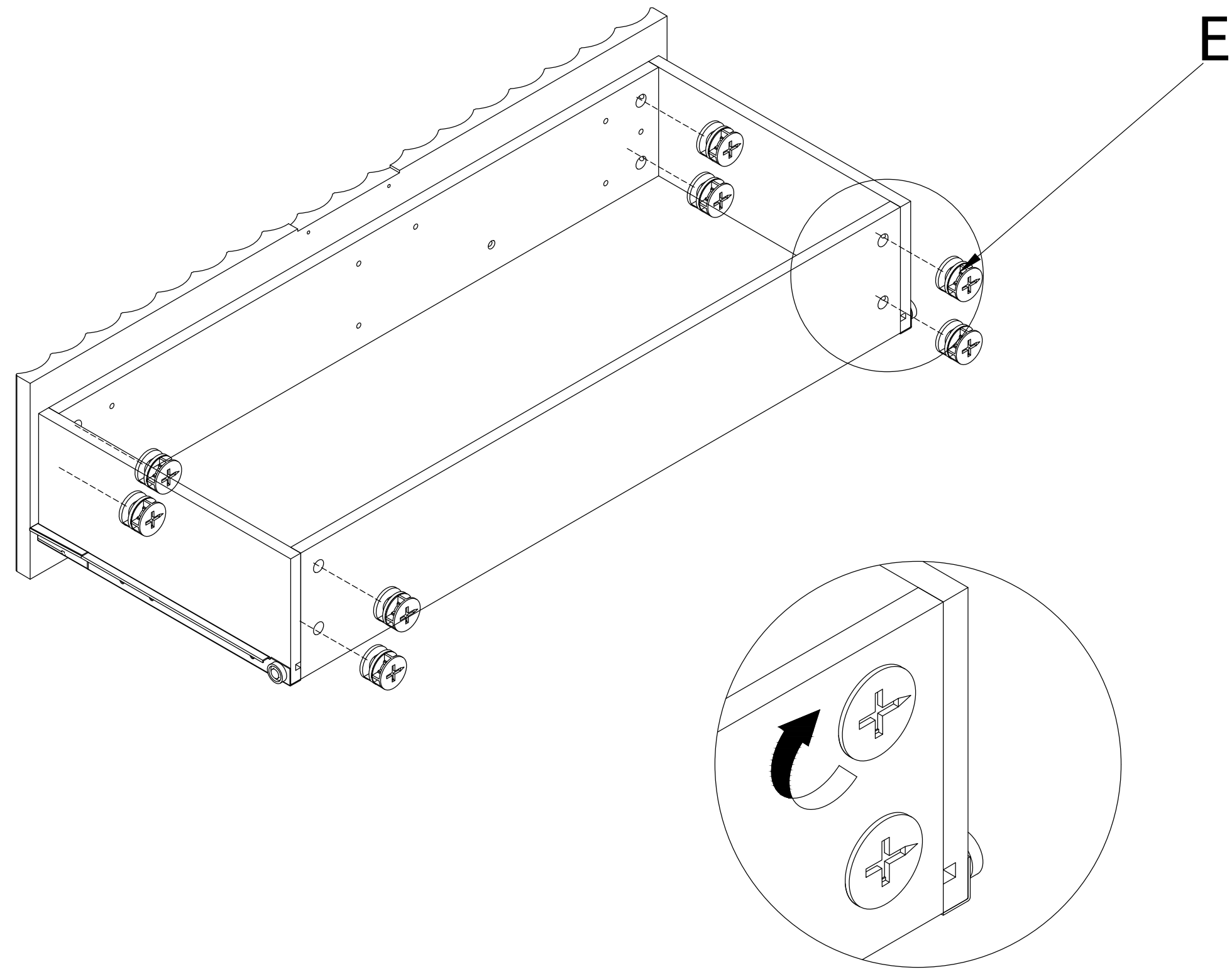


STEP 13



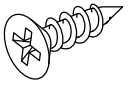
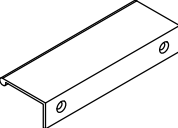
STEP 14

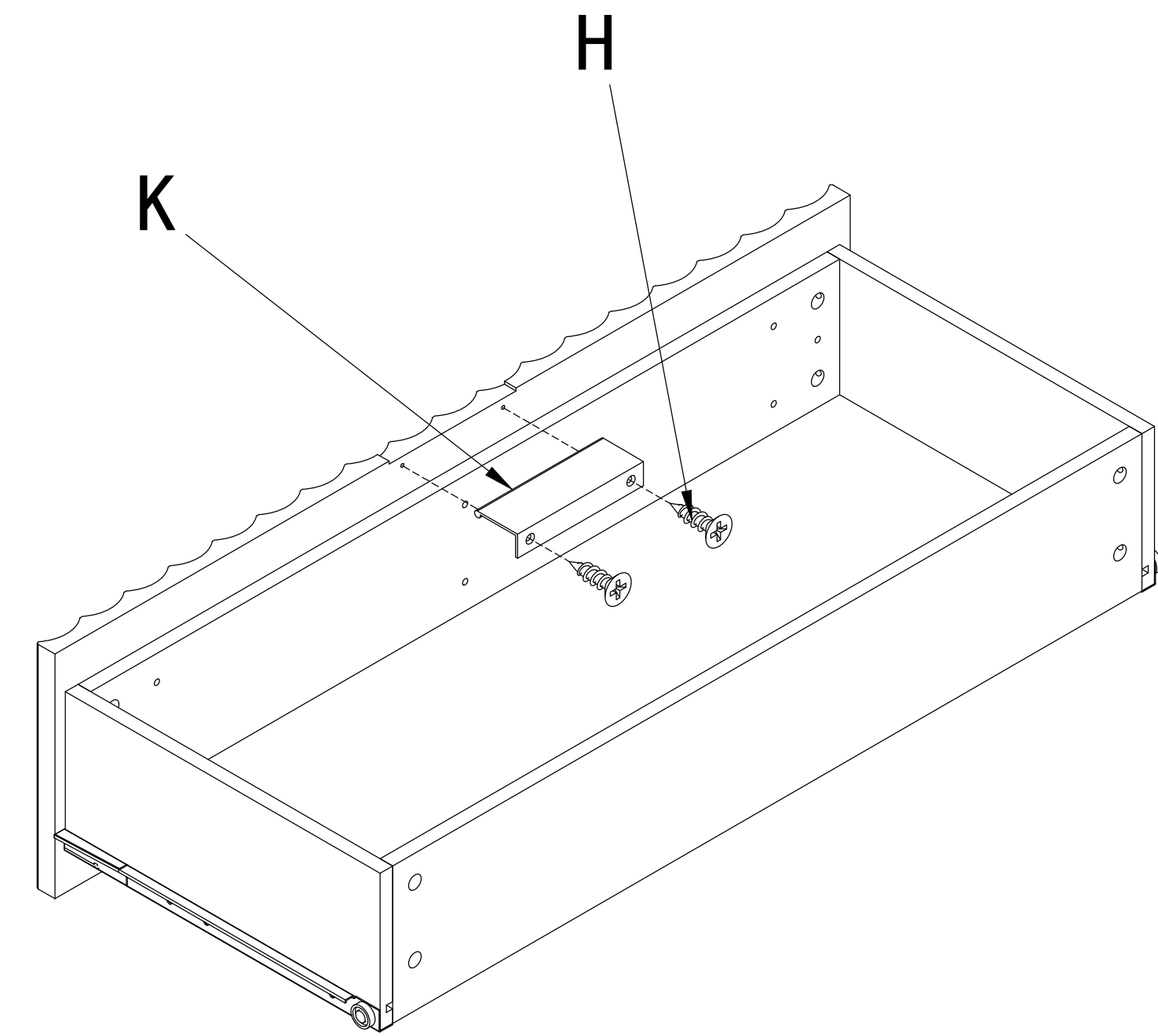
(E $\phi 13*10$  8PCS)



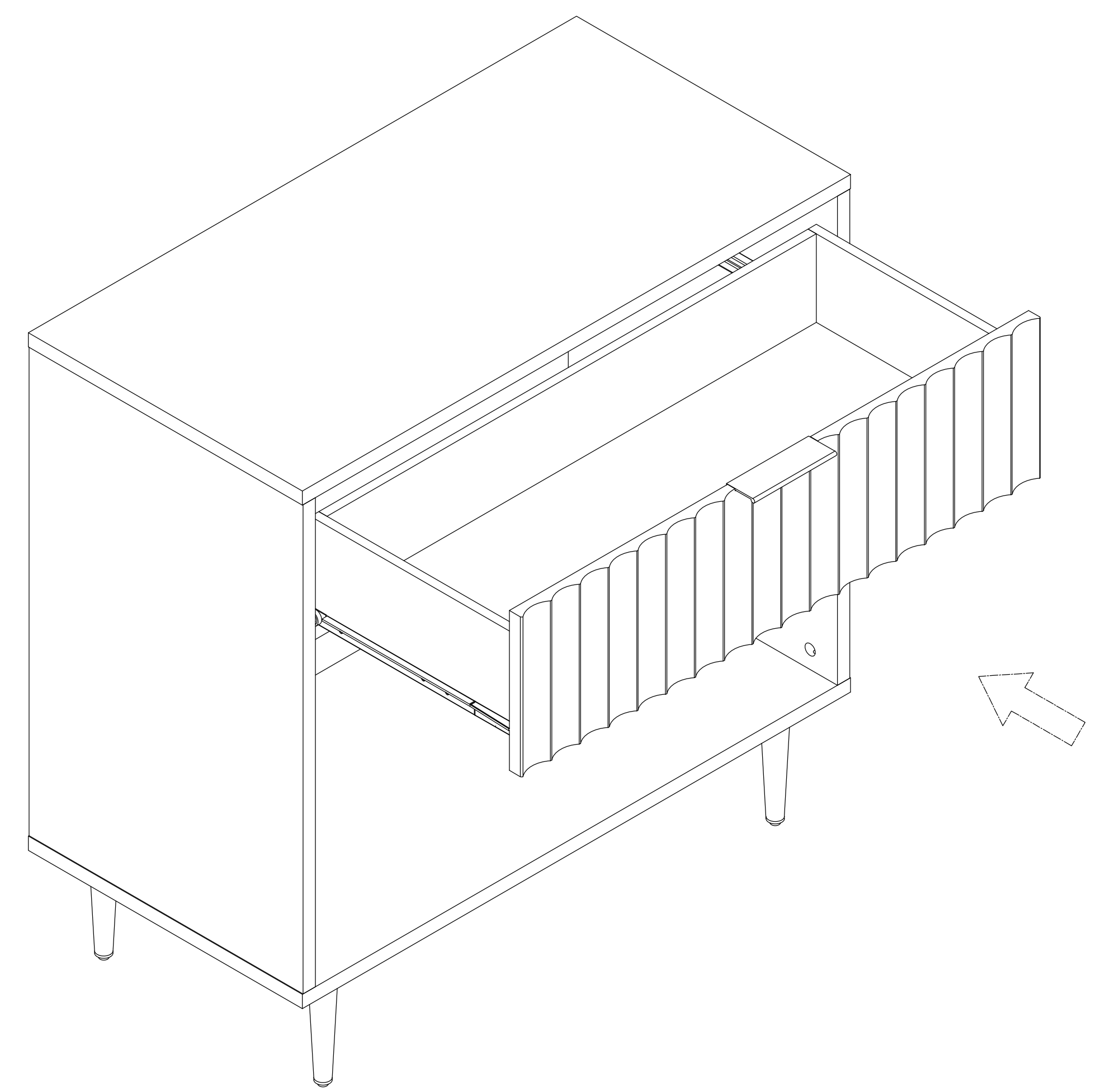
TIPS: Please make sure that each panel of the drawer is tightly fitted before tightening the hardware.

STEP 15

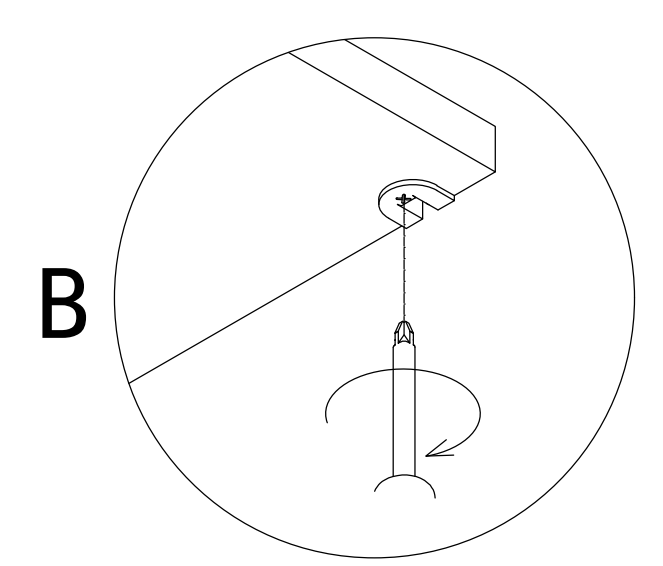
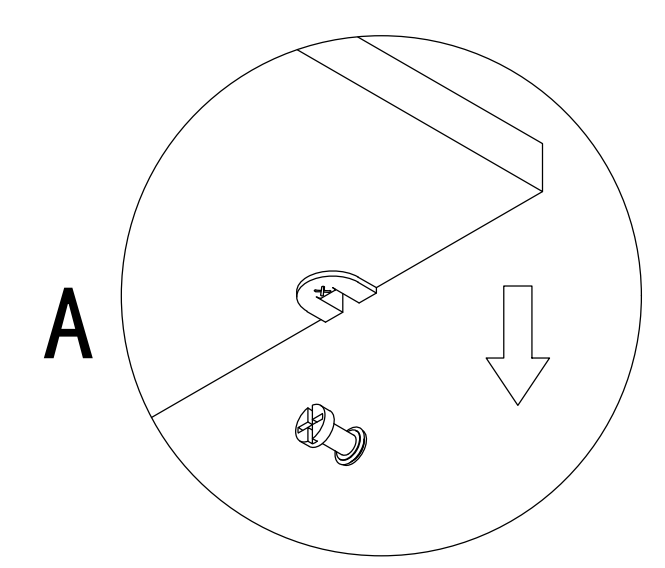
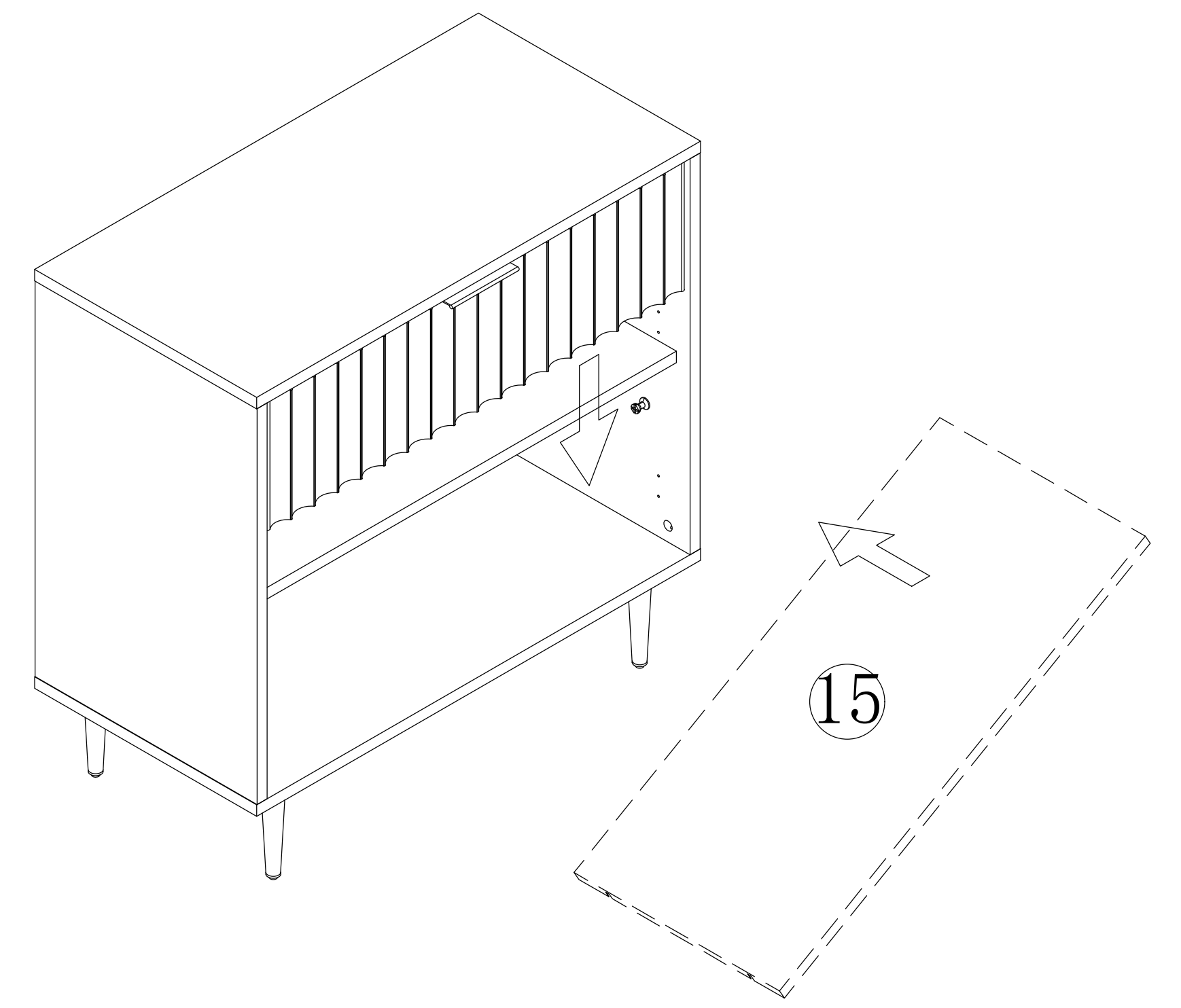
(H M3.5*12  2PCS)
(K 120*36*17  1PC)



STEP 16

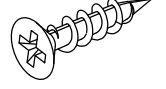



STEP 17

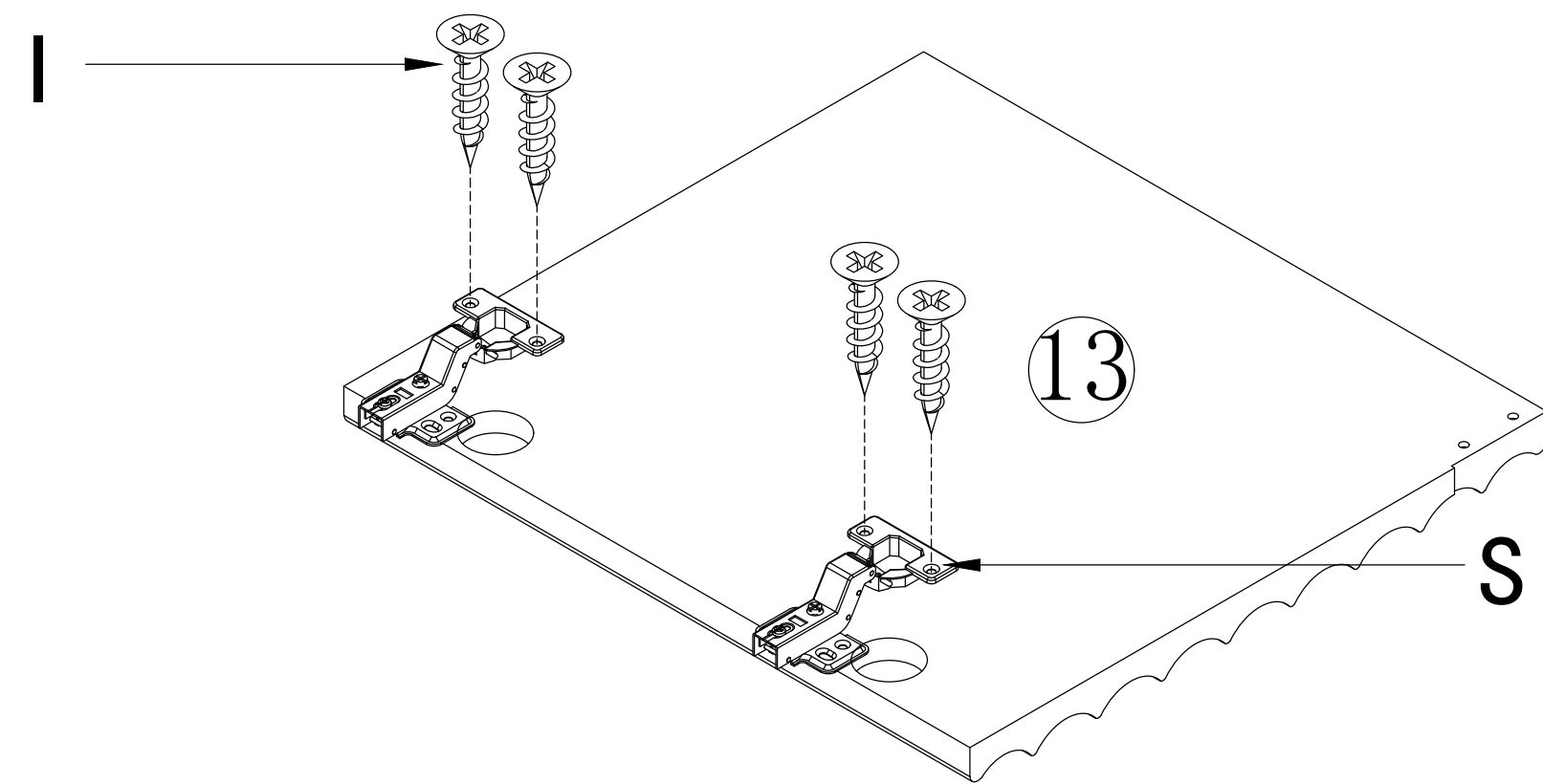
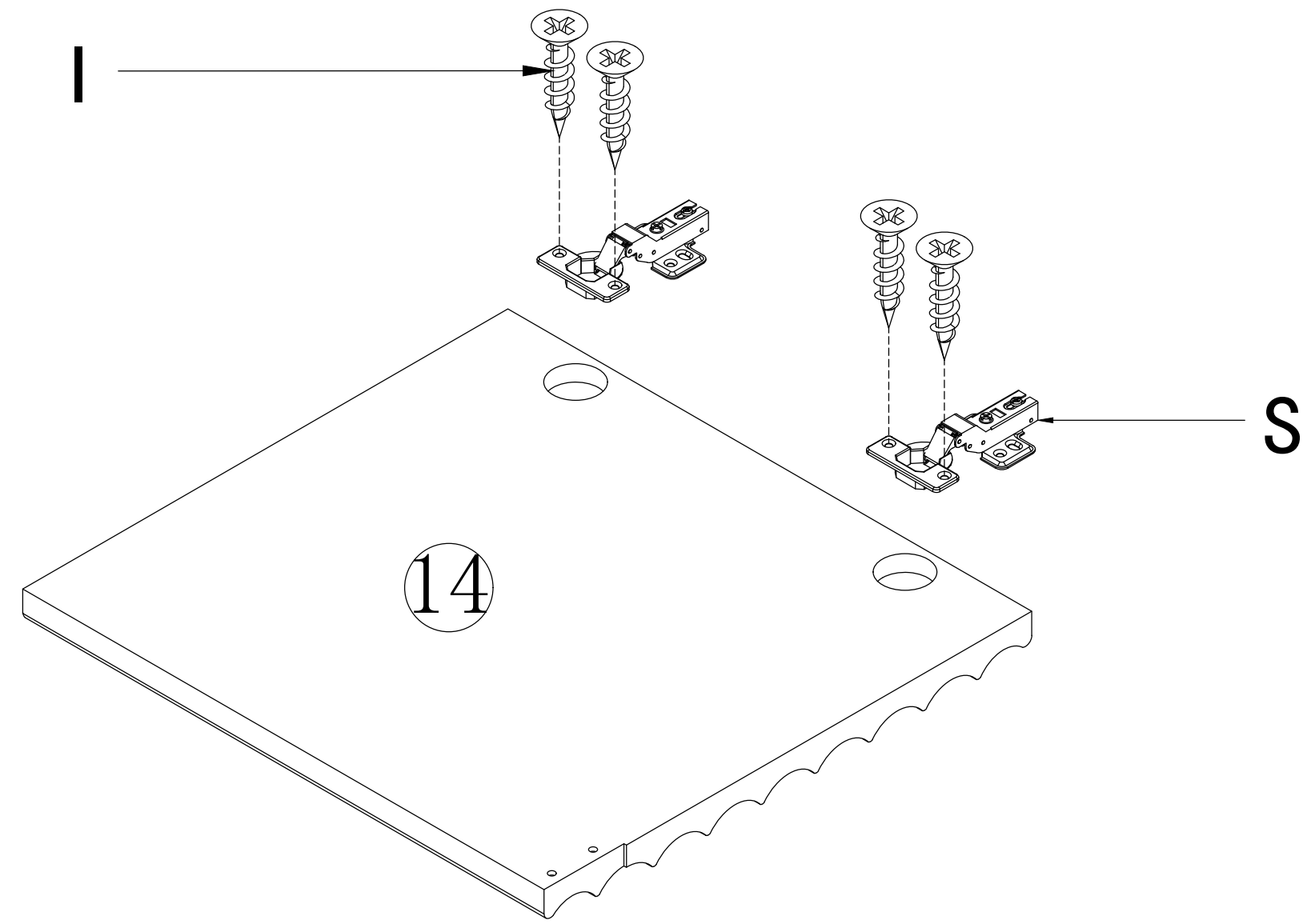


Place the shelf before tightening the screws

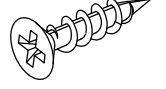
STEP 17

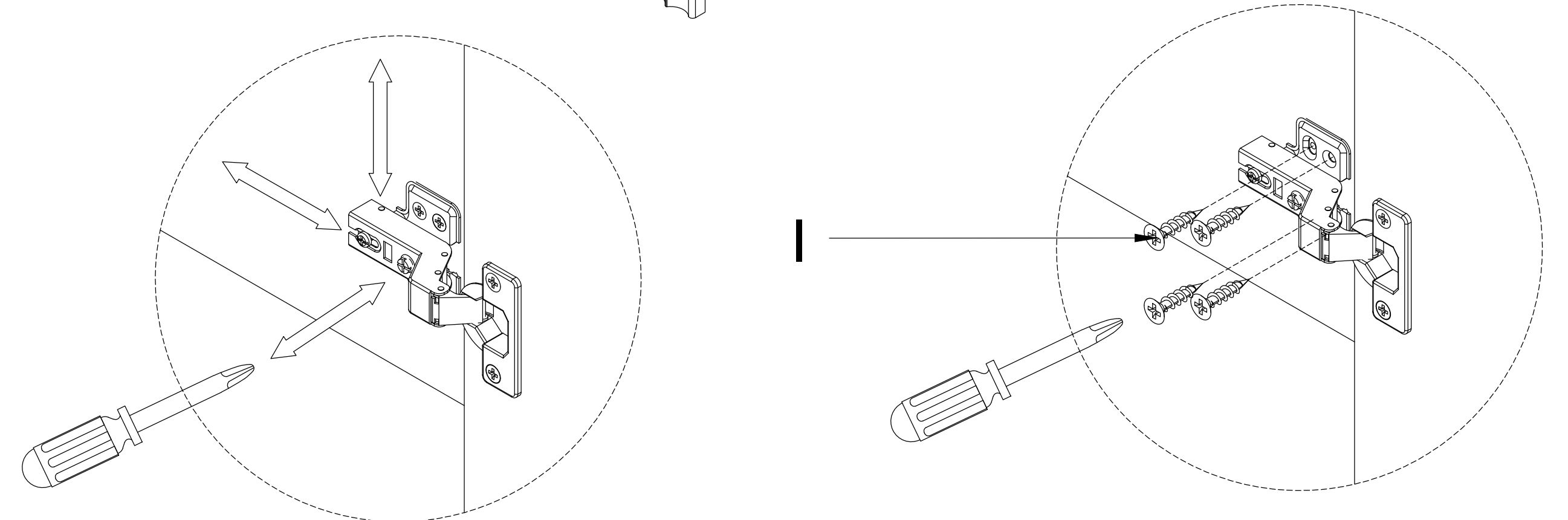
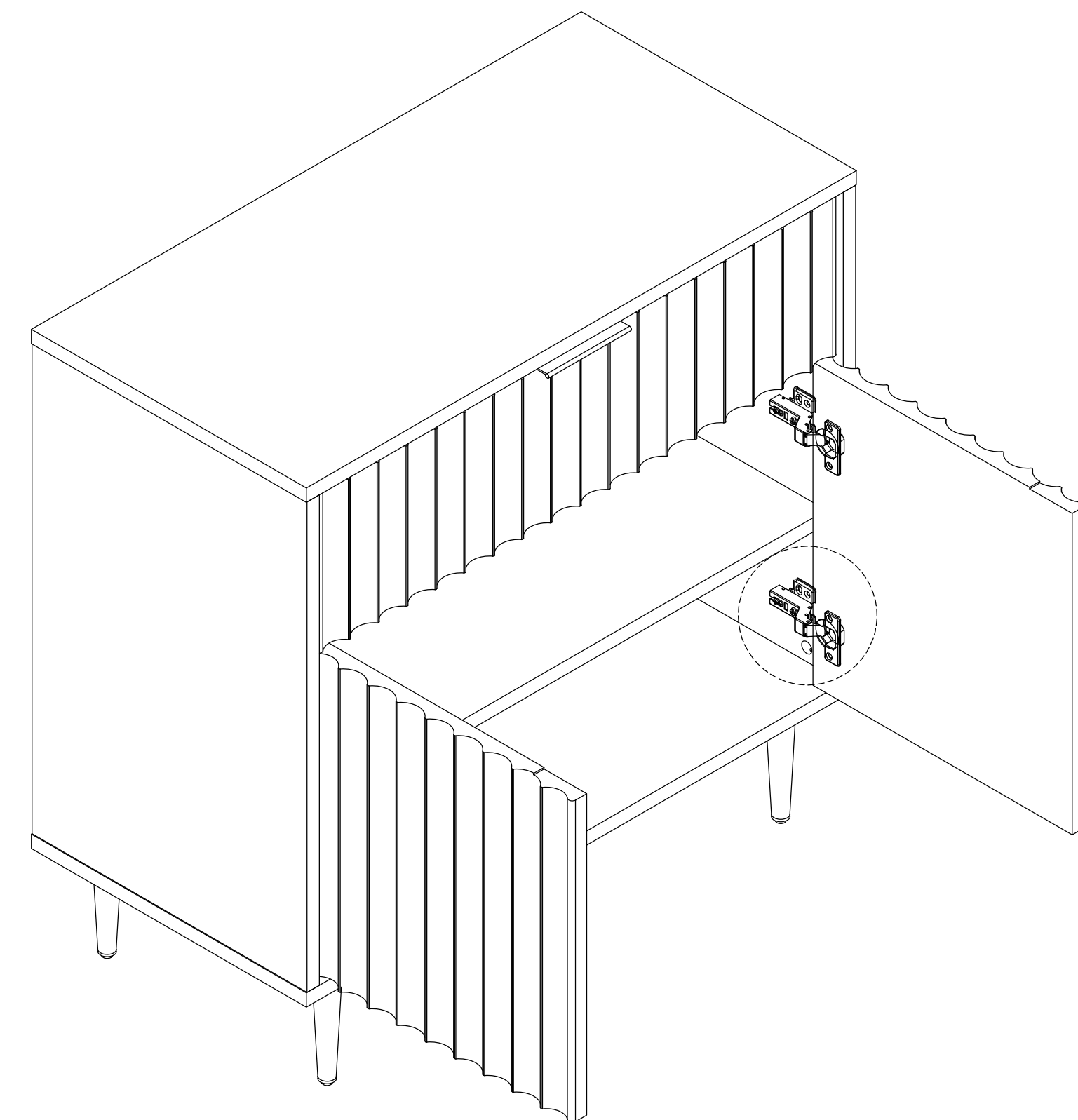
(I M4*16  8PCS)

(S ϕ 35  4PCS)



STEP 18

(I M4*16  16PCS)

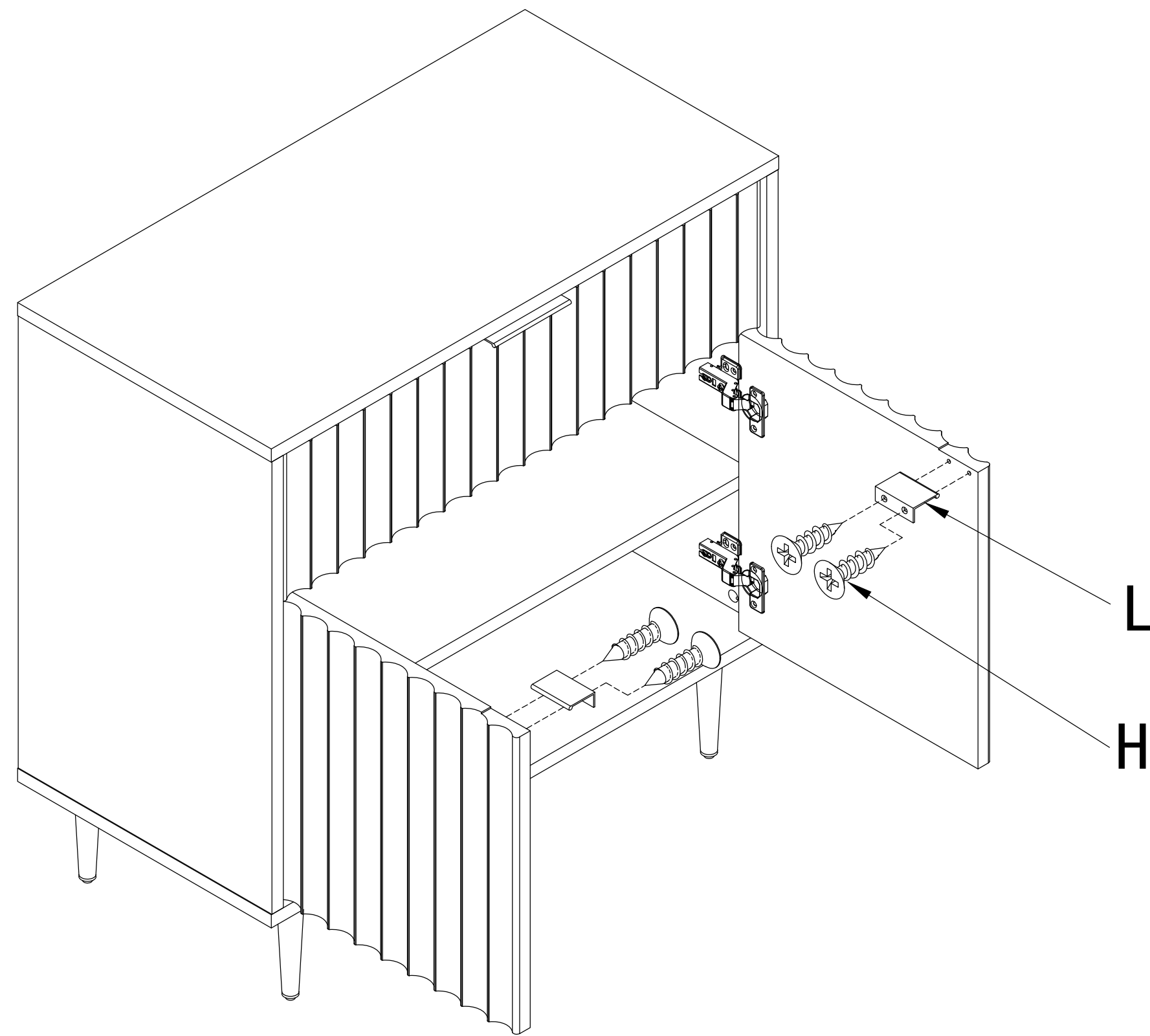


Tips: Do not fully tighten the screws when installing, try to adjust the hinges until the door is adjusted to the right position, then tighten.

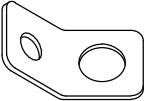
STEP 19

(H M3.5*12  4PCS)

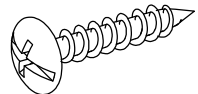
(L 60*36*17  2PCS)

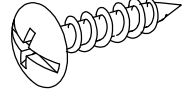


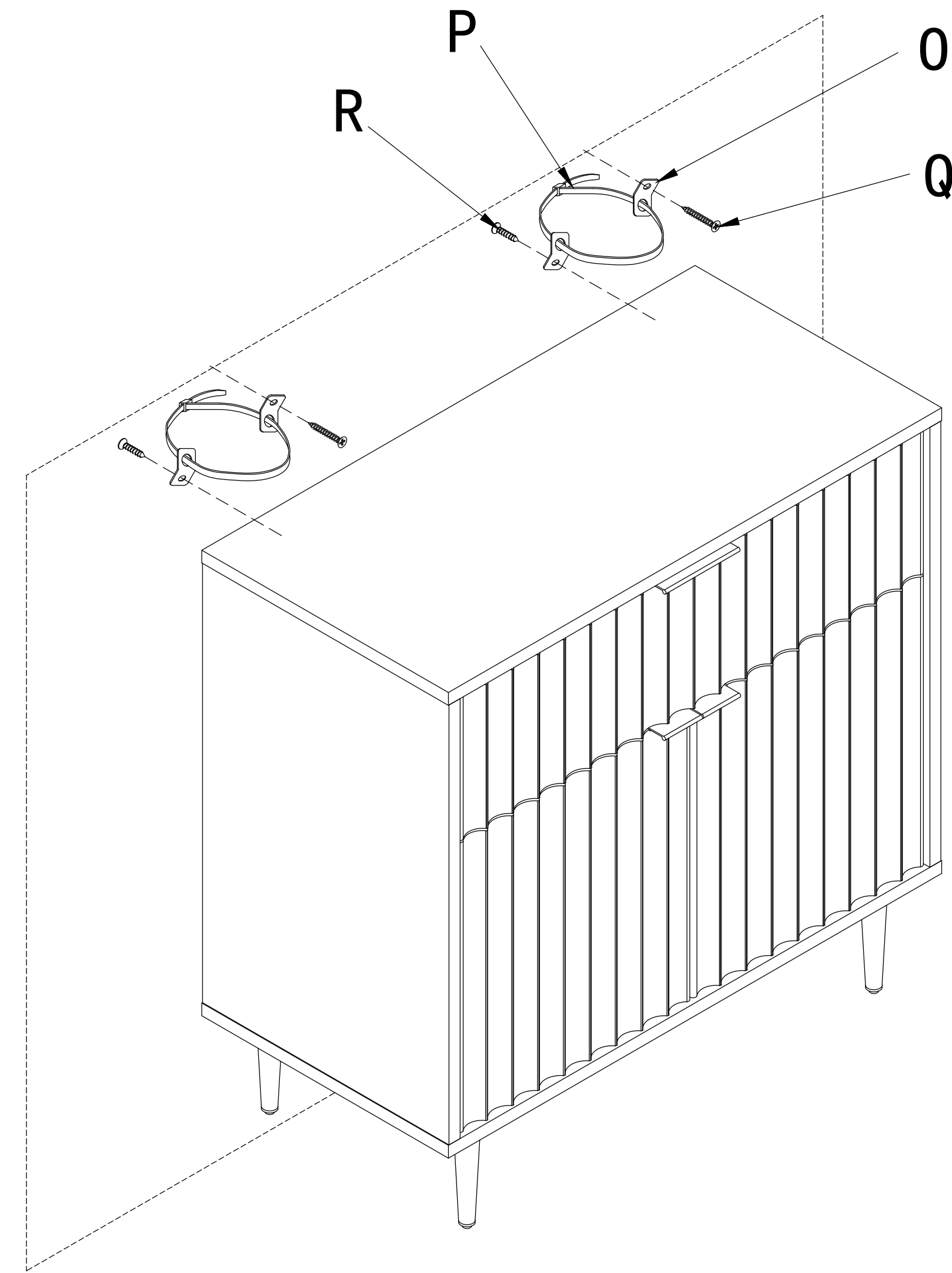
STEP 20

(O 13*13*13  4PCS)

(P 290*5  2PCS)

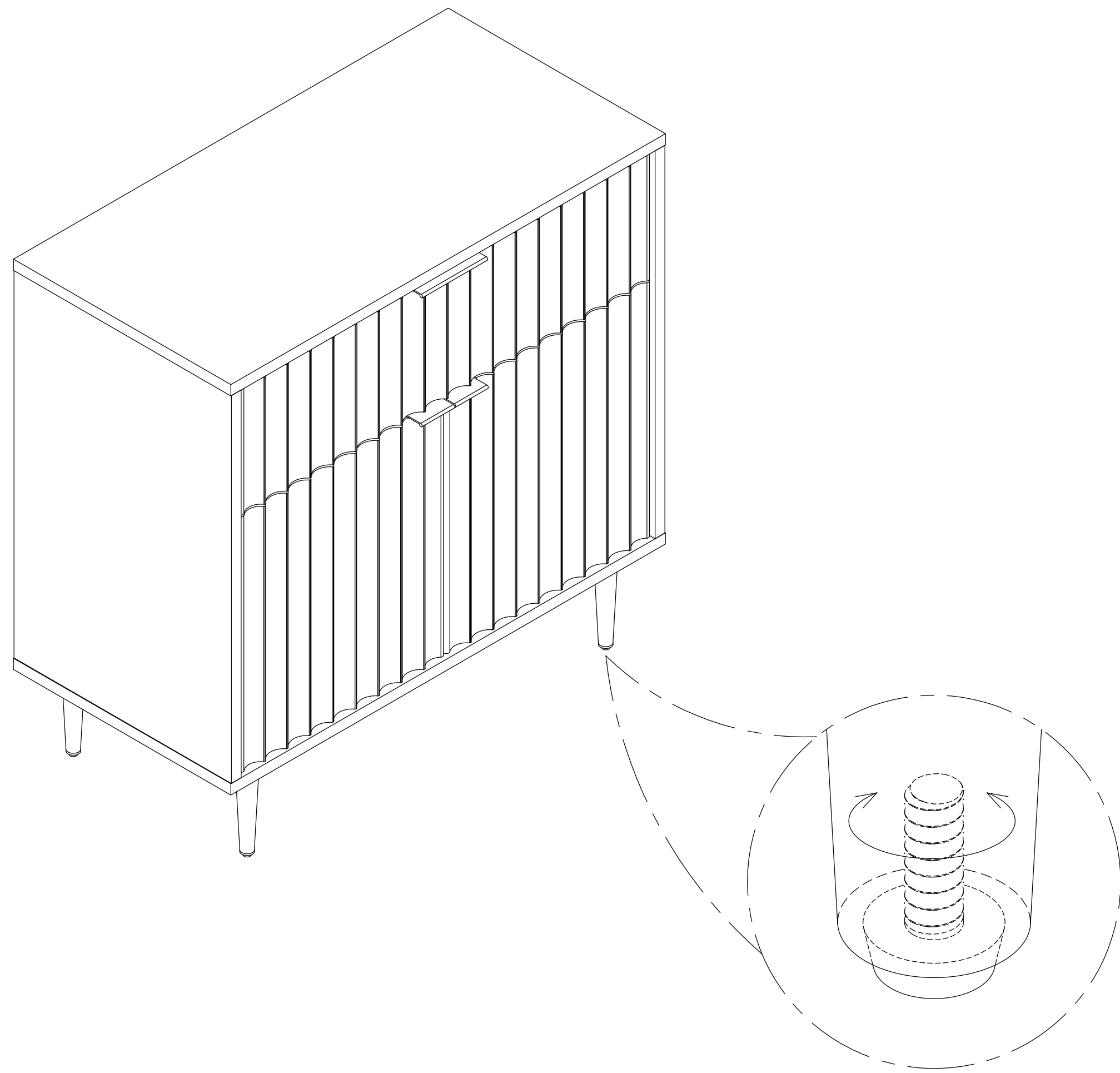
(Q M4*50  2PCS)

(R M4*20  2PCS)



Tips: For safety reasons, it is recommended to install tipping restraint to fix the item.

STEP 21



Tips: Adjustable foot pegs, you can adjust the right height to keep the balance of the item.

FINISH

