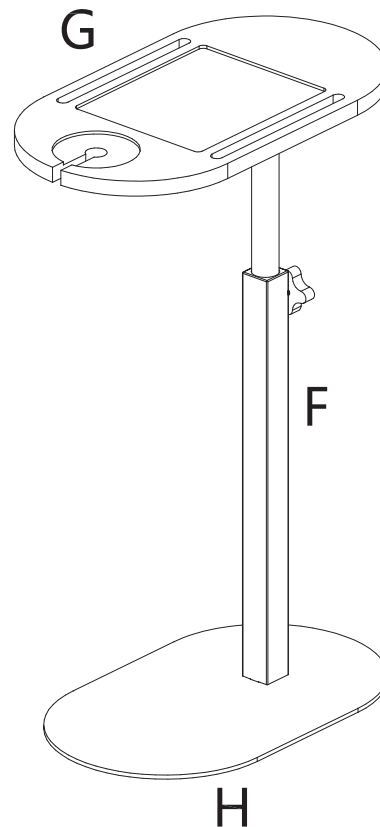
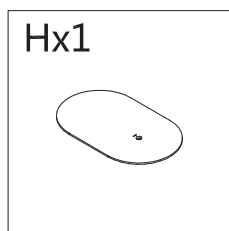
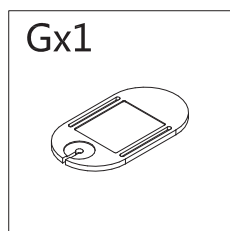
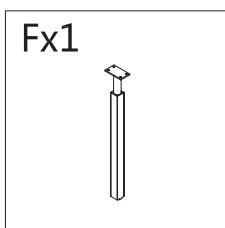
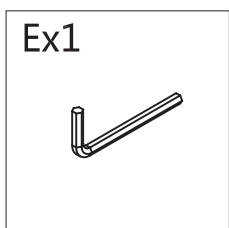
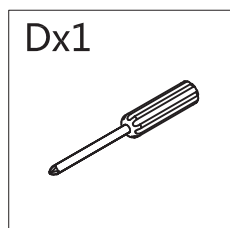
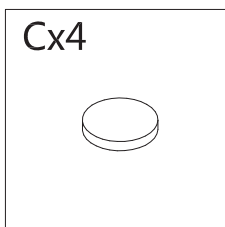
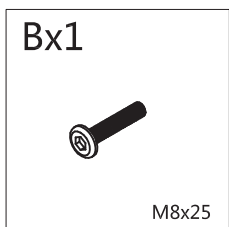
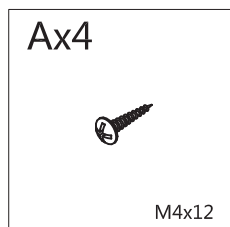


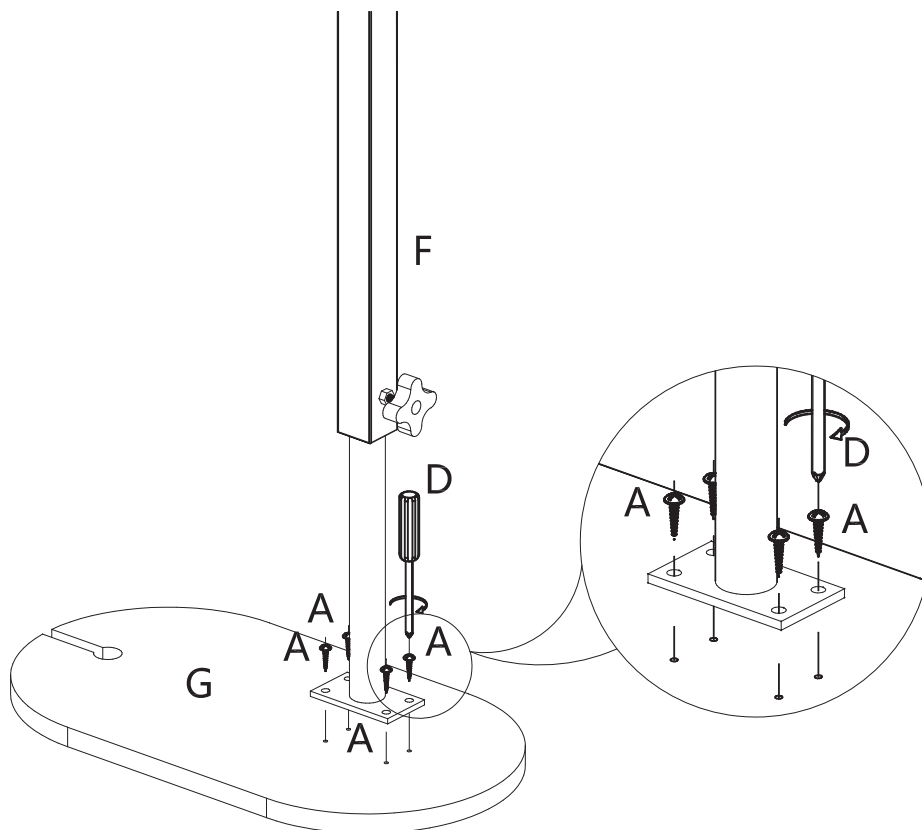
# ASSEMBLY INSTRUCTIONS

Item Name: Bathtub Side Table

1. Please make sure you have all parts before commencing assembly.
2. Please place all parts on to a clean dry and soft surface to avoid scratching during the assembly of your furniture.
3. If you have any questions regarding the assembly, please feel free to contact us through Amazon.

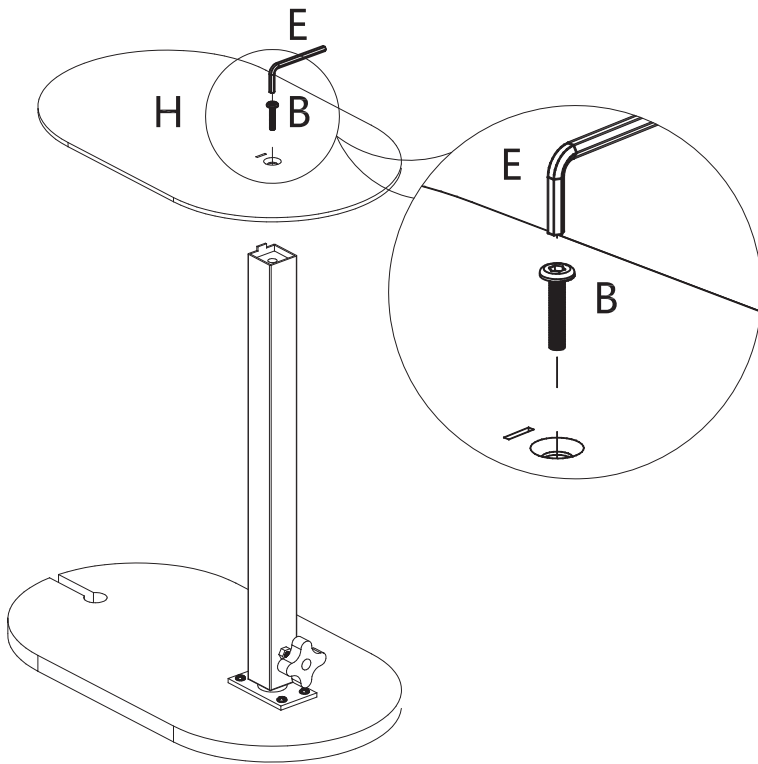


## Step 1



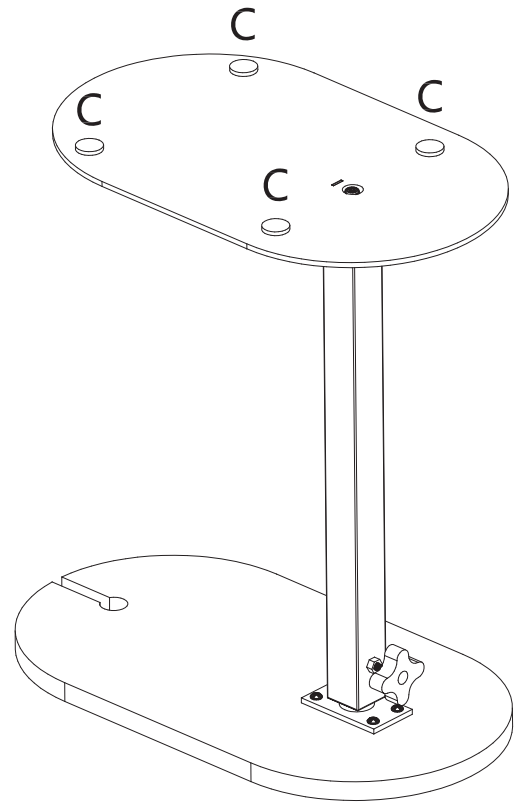
Please attach metal pole (F) to the table top (G) with four screws (A).

## Step 2



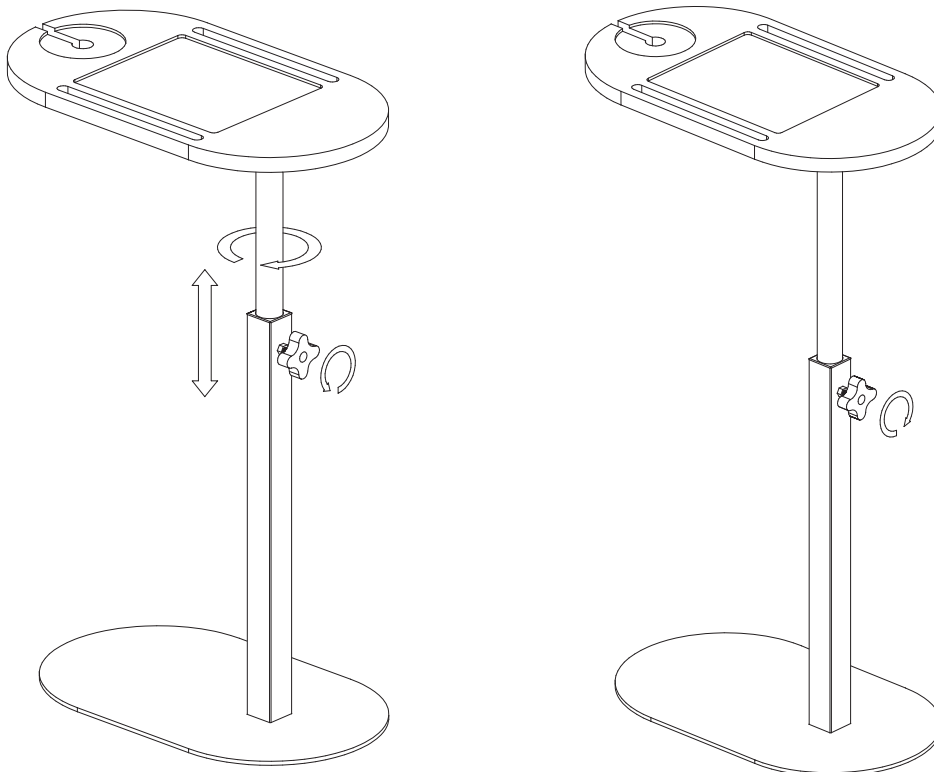
1. Please attach metal pole (F) to the table base (H) with one screw (B).
2. Make sure that the iron tabs of the metal pole (F) can be inserted into the groove of the table base (H).

## Step 3



Attach the four footpads (C) to the table base (H).

## Step 4



Adjust the height and orientation of the table by loosening the knob, then tighten the knob to secure it.