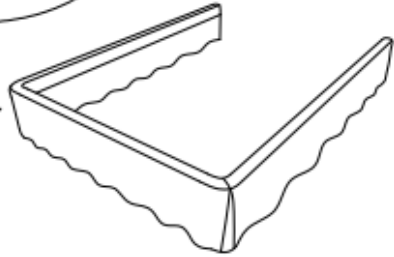
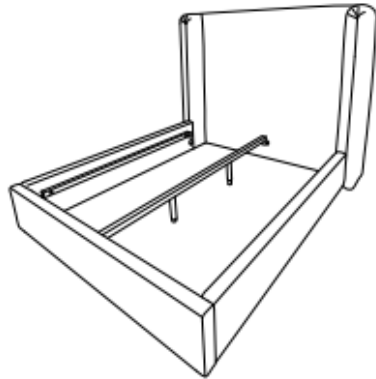


①


Move the fabric on
the velcro for
fixing



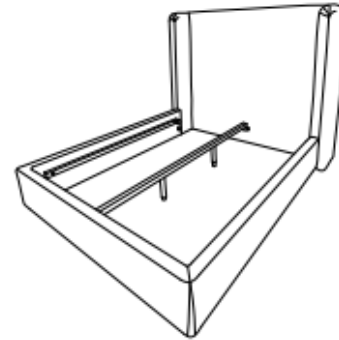
Line up cover corner
seam to frame corner



frame w/o cover

1		1pc	frame cover
2		1pc	

②

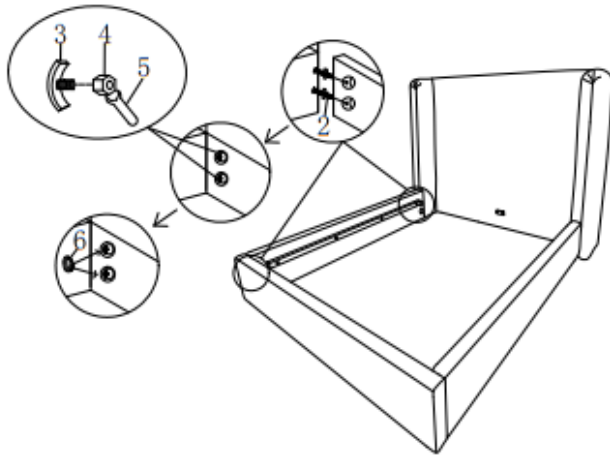


Suggest leaving 0.5" clearance
from cover to floor

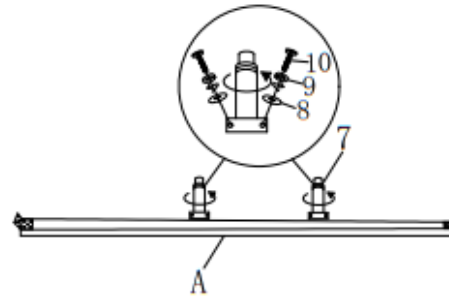
③



①

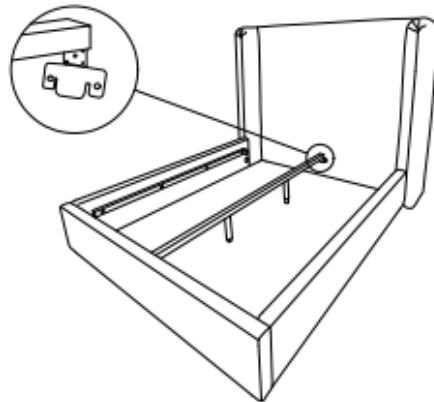


②



1		6pcs	foot
2		8pcs	M8*100MM
3		8pcs	
4		8pcs	M8
5		1pc	
6		8pcs	
7		2pcs	foot
8		4pcs	M6
9		4pcs	M6
10		4pcs	M6*30

③



④

