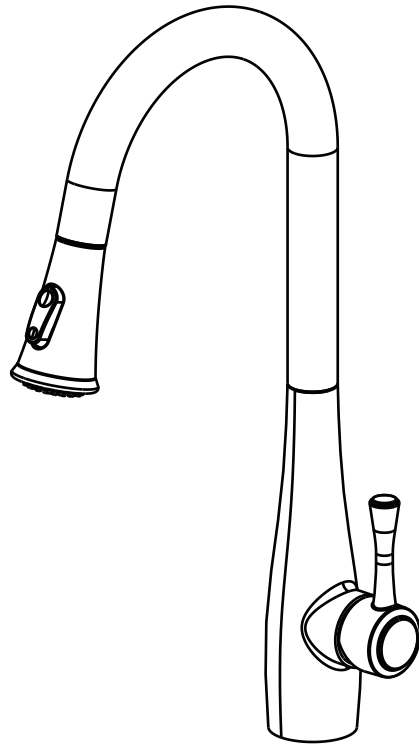


HomLUX

INSTALLATION MANUAL

Single-Handle Pull-Down Sprayer Kitchen Faucet



FAB400440B

Business Name: FDC Development LLC

Business Address:

6550 Jimmy Carter Blvd Suite B

Peachtree Corners GA 30071 US

Web: www.homluxproducts.com

Any query please feel free to email our service team:

help@homluxproducts.com

Thanks for choosing HomLux.

Please keep the box and packaging materials until your product is completely installed. If you have any questions, require technical assistance or have any problems with your product:

 ***DO NOT RETURN TO STORE***

***Please contact our Customer Service Team
help@homluxproducts.com***

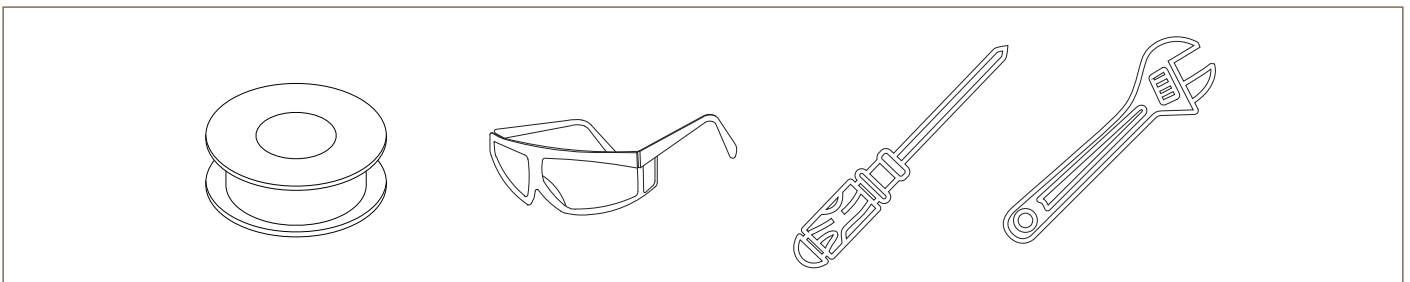
Have the model number available and retain a copy of your receipt with purchase date for reference.

If for any reason this product does not meet your expectations, please be sure to repack this product in the original box and packaging material to avoid damage during transit.

Prior to Installation:

- Make sure you have all necessary parts by checking the diagram and parts list. If any part is missing or damaged, please contact HomLux Customer Service.
- Turn off the hot and cold water supply at the angle stops and turn on the old faucet to release any built up pressure. Remove existing faucet. Clean sink or countertop to remove any debris, plumber's putty, or silicone.
- Flush angle stops to release any debris prior to installation.
- Pre-drilled hole size requirement: 1- 3/8" (min) – 1-1/2"(max)
- Max countertop thickness: 1- 1/2"

• You may need



• Cleaning and Care

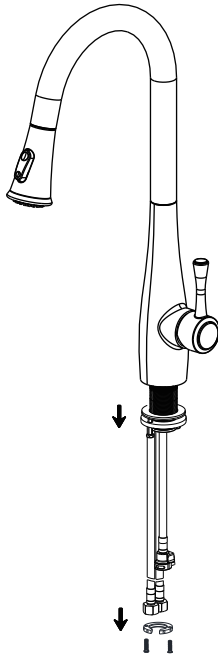
Care should be given to the cleaning of this product. Although its finish is extremely durable, it can be damaged by harsh abrasives or polish. To clean, simply wipe gently with a damp cloth and blot dry with a soft towel.

• Read all instructions prior to installation

CAUTION

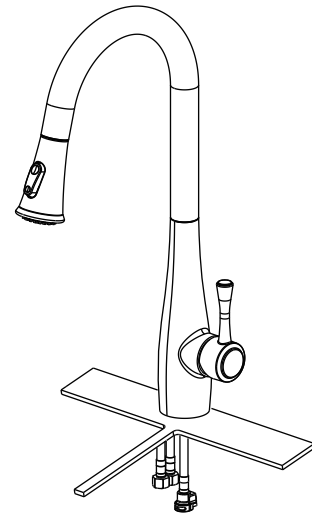
Failure to read these instructions prior to installation may result in personal injury, property damage, or product failure. Manufacturer assumes no responsibility for product failure due to improper installation.

Installation Guide



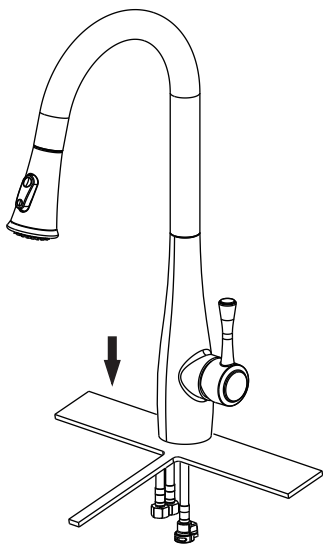
STEP 1: REMOVE MOUNTING HARDWARE

Remove the mounting screws(19-5), mounting nut(19-4), metal washer(19-3) and rubber washer(19-2) from the shank(19-1).



STEP 2: FAUCET INSTALLATION FOR THREE-HOLE INSTALLATION

Install deck plate and place silicone sealant (optional).
For single-hole installation: Install faucet directly.



STEP 3: INSTALL FAUCET BODY

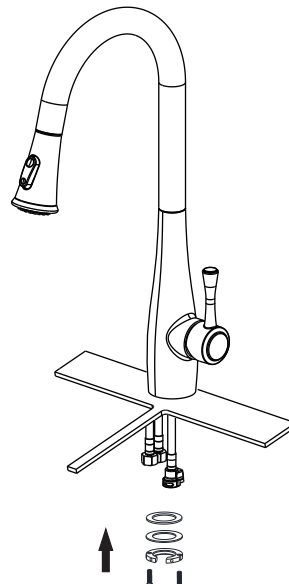
Insert faucet body into hole in countertop or deck plate.

Pre-drilled hole size:

1-3/8" (min) – 1-1/2" (max)

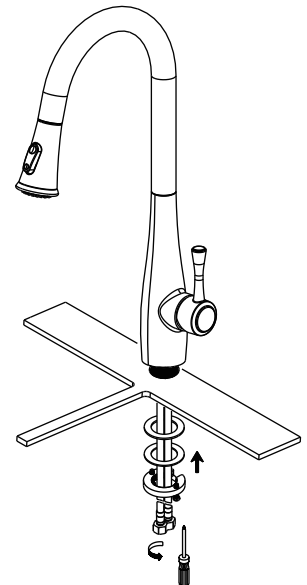
Max countertop thickness:

1-1/2"



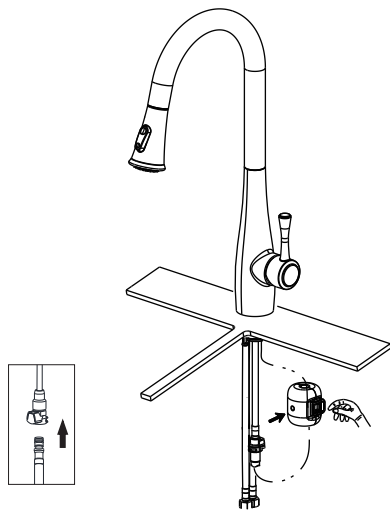
STEP 4: INSTALL MOUNTING HARDWARE

Install the rubber washer(19-2), metal washer(19-3), mounting nut(19-4) and mounting screws(19-2) in order from underneath the countertop to the faucet.



STEP 5: SECURE MOUNTING HARDWARE

Adjust direction of faucet body so that handle is on right side of faucet. Tighten mounting nut(19-4) and mounting screws(19-5) with screwdriver until snug.



STEP 6: ATTACH SPRAY HOSE AND COUNTERWEIGHT

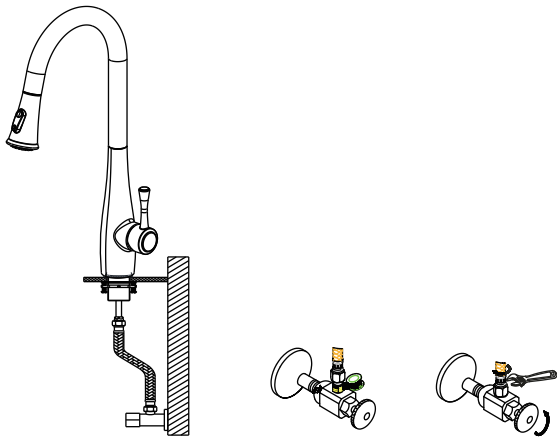
Connect spray hose and install weight on lowest vertical point on spray hose.

Note:

a Connect the quick coupling: Press the button and insert connector to the end with force and hear a click.

b Remove the quick coupling: Press the button and pull out the connector with force.

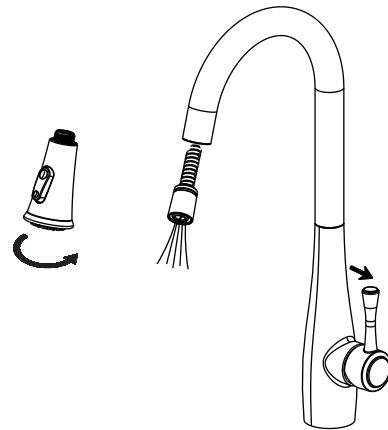
c Install weight: Push the button and open the weight, clamp the spray hose (black) white point in the middle groove, the height of the weight from bottom should be more than 5".



STEP 7: CONNECT WATERLINES

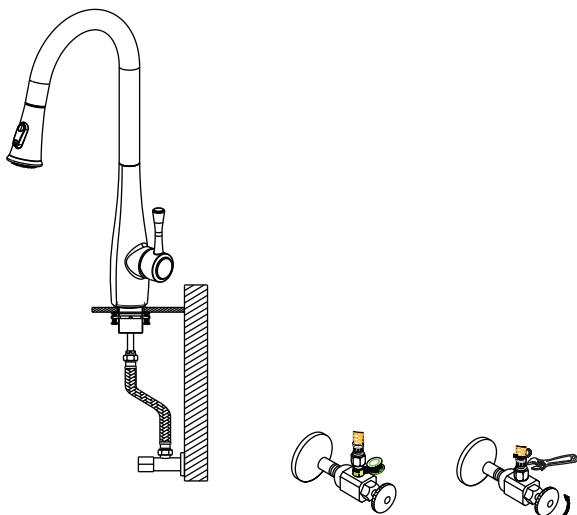
Connect waterlines(15&16) to hot and cold copper lines. Connect waterlines to angle stops.

Apply pipe tape to avoid leakage. Tighten both ends of waterlines with a wrench until snug. Turn on hot and cold angle stops and check for leaks.



STEP 8: FLUSH SPRAY HOSE

Remove spray head(6) from spray hose. Hold tip of spray hose. Turn faucet on and let the water run for 60 seconds to flush any debris.



STEP 9: CHECK FOR LEAKS

Check for leaks at the connections. Retighten if necessary.

CARE & MAINTENANCE :

*To keep the product clean & shining, follow the steps below:

1. Rinse with clean water & dry with a soft cloth
2. Do not clean with soaps, acid polish, abrasives, or harsh cleaners
3. Do not use cloth with a coarse surface
4. Unscrew the aerator and clean when necessary

