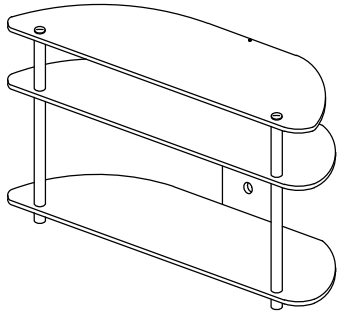
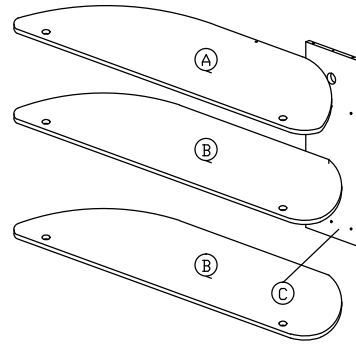


# Assembly Instruction



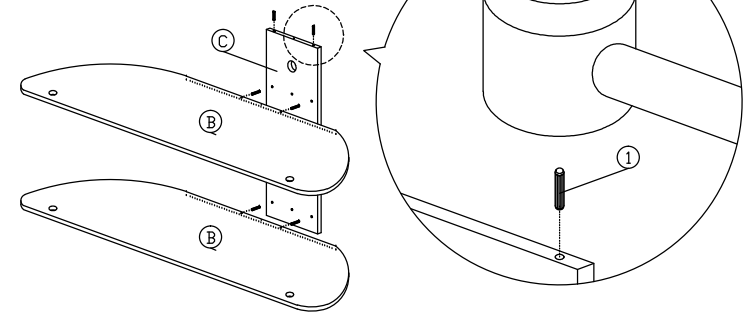
Hardware List			
No.	SHAPE	DESCRIPTION	Qty.
1		6x25mm Wood Dowel	6Pcs
2		M4x30mm Screw	3Pcs
3		PVC Round Pole Silver 162mm	2Pcs
4		PVC Round Pole Silver 340mm	2Pcs
5		PVC Round Cap Silver	2Pcs
6		PVC Round Leg Silver 40mm	2Pcs

## Part List



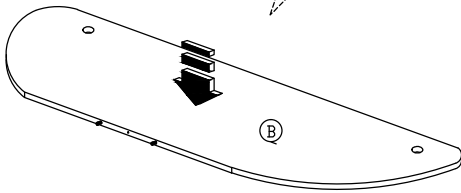
## Step 1

\*Install 6pcs Wood Dowel into all panels as shown.

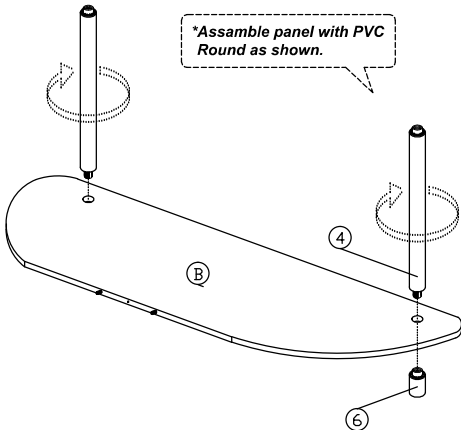


## Step 2

\*Place panel after fitting PVC Round as shown.

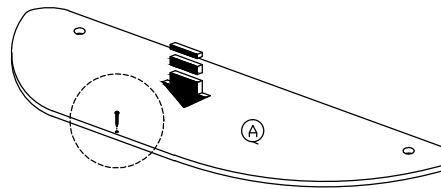
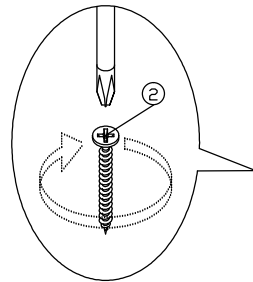


\*Assemble panel with PVC Round as shown.



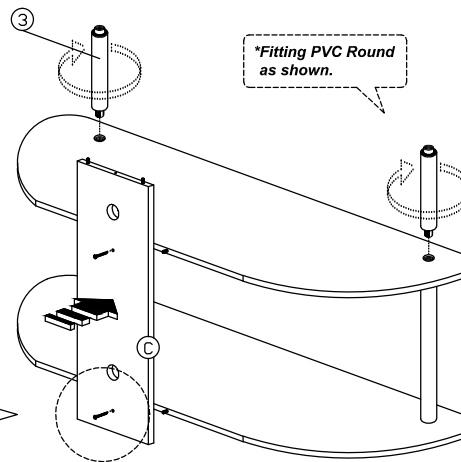
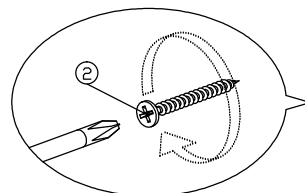
## Step 3

\*Place top panel after assemble back panel & fitting PVC Round, secure with screw as shown.



\*Fitting PVC Round as shown.

\*Place back panel, secure with screw as shown.



## Step 4

\*Secure top panel with PVC Round Cap as shown.

