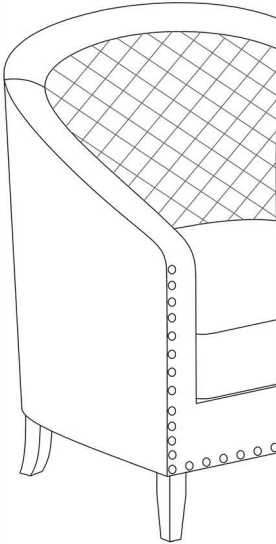


Owner Manual



WARRANTY

We strive to offer high quality product and we also try our best to satisfy each customer that order from us, no matter on products or services as needed. Each customer receives a record of their order, such as the order number or item receipt. For any items that are out of warranty period, you may still be able to purchase the replacement parts from our company if they are available.



MAINTENANCE AND WARNING

Please read the manual thoroughly
before you start installing.

Please keep the product away from
sharp object.

Packaging and small parts may have
chocking hazard, please keep them away
from children and pets.

Please clean the product according to each
clean code, check the product description
for more information.

Please keep the product away
from fire.

If you have any other questions, please
contact us, we will be glad to help you out.

If the product is placed under direct
sunlight, the pattern or color might fade
away overtime.

Check the product periodically to make
sure everything is secured and tightened.

Always use proper tools for installation.

Do not jump on the product.



Around 15 min

PRODUCT DESCRIPTION

The copper nail head is decorated with elegant and subtle charm accents. The rhombic pressing on the back adds more interest, and the fine leather interior presents an amazing appearance.

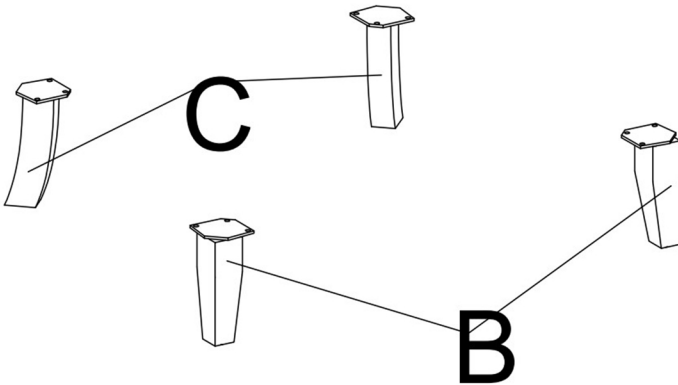
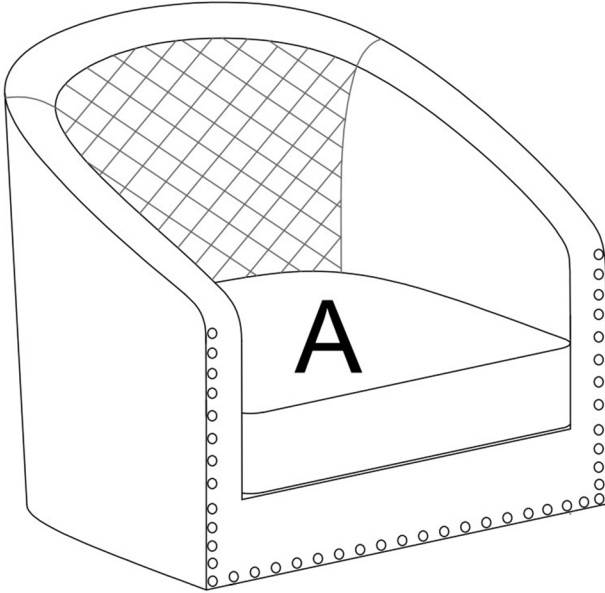
This popular design would make every single person fall in love which adds a pop of pattern and inviting style to any space in your home with this chair.

Use an accent piece in your living room, set it in the guest room for an inviting look, or place it in the bedroom for a cozy sitting spot. This chair is multipurpose and versatile.

The U-shaped curved back with padded armrests provides a spot soft to rest your hands, while the thick foam cushion provides a comfy seat for hours of relaxed seating.

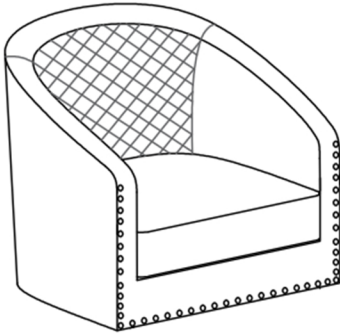
Drawing on the timeless tub barrel design with a simplified profile that includes soft curves and sheltering armrests.

EXPLODED VIEW



PARTS

A*1



Seat frame

B*2



Front Legs

C*2



Back Legs

HARDWARE

TOOL LIST

NOTE: Designated with (★) We provide additional spare parts in the hardware package

①*12



★ Bolt

②*1

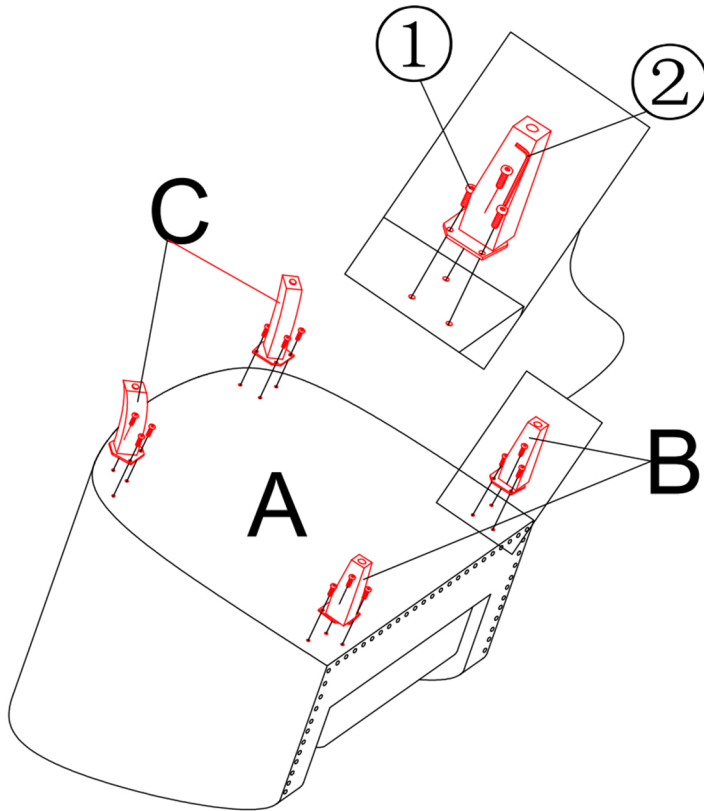


Allen key

Please make sure all hardware&packing material fitting the list. Especially some small accessories may be missing during transportation. Please contact us if you have any question.

step 1

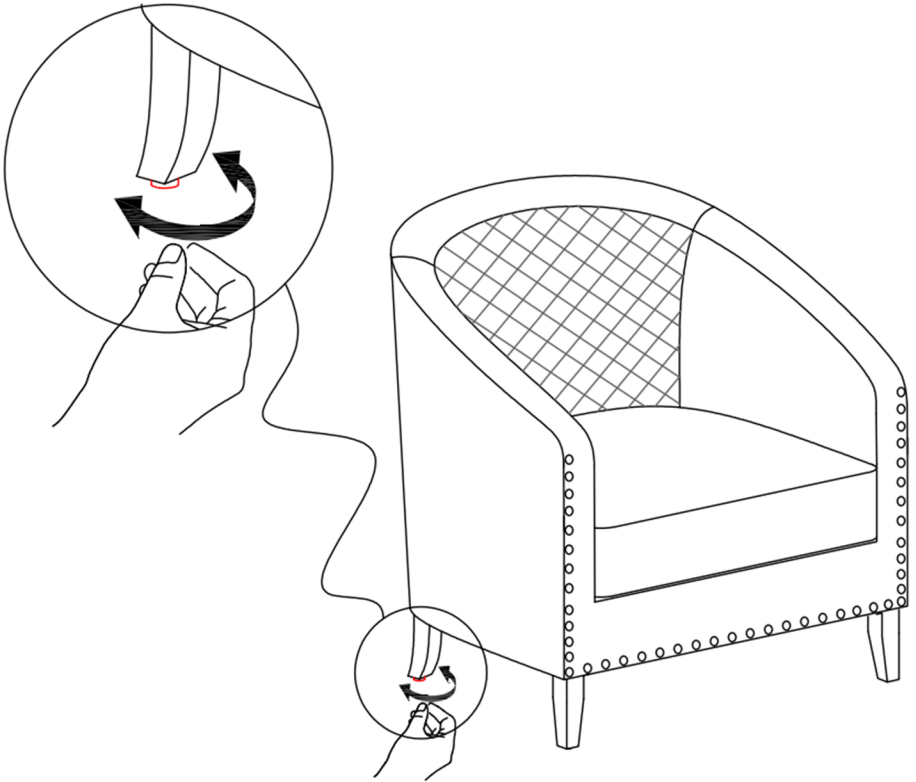
Install all the front legs (B) and rear legs (C) onto the seat frame (A) as shown, use the allen key (2) provided to tighten the bolts (1). Make sure all the bolts are fully tightened before next step.



* You may place a rug or some covers underneath the seatframe, in order to protect your floor and the product.

step 2

Please note: the legs of the chair can be adjusted by twisting the leveler on the tip of the legs as shown, it can help you use this chair on ground that is not flat, please check before you use the chair.



step 3

Congradulations! The assembly is complete, thank you for chooing our product! Please enjoy!

