

# THANK YOU

*We take great pride in making the highest quality lighting and mailboxes.*

## *Mailbox Maintenance Instructions*

**\*WARNING\*** *Cleaning products that contain Ammonia should not be used.*

*Also do not use anything abrasive to wipe or clean the metal surface.*

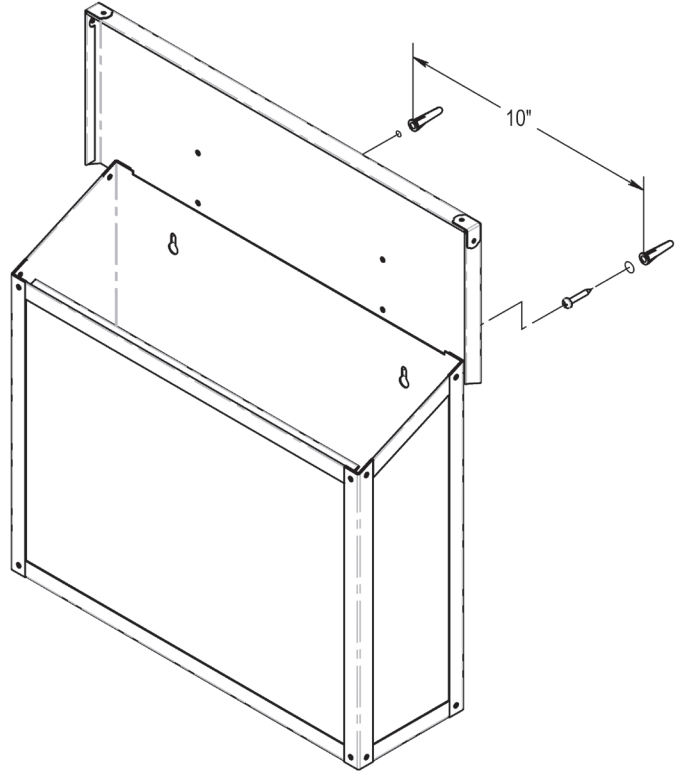
**\*WARNING\*** *When cleaning the front panel be careful not to get caught in metal artwork or patterns. You may bend or break the delicate art work.*

*Regular cleaning of your products will help keep the finish from tarnishing and keep them looking good for years to come. Inspect your mailbox once a month and depending on the dirt level either remove with air or lightly dust with a soft cloth. If needed use water with a mild detergent (Dish Soap) and lightly scrub with a soft cloth. Be careful when cleaning around the front panel on your mailbox. The delicate patterns and artwork can get caught in your cleaning cloth which can bend or break. Rinse and gently dry mailbox. For coastal locations you may want to check your mailbox twice a month to help prevent the harsh salt air from damaging your finish.*

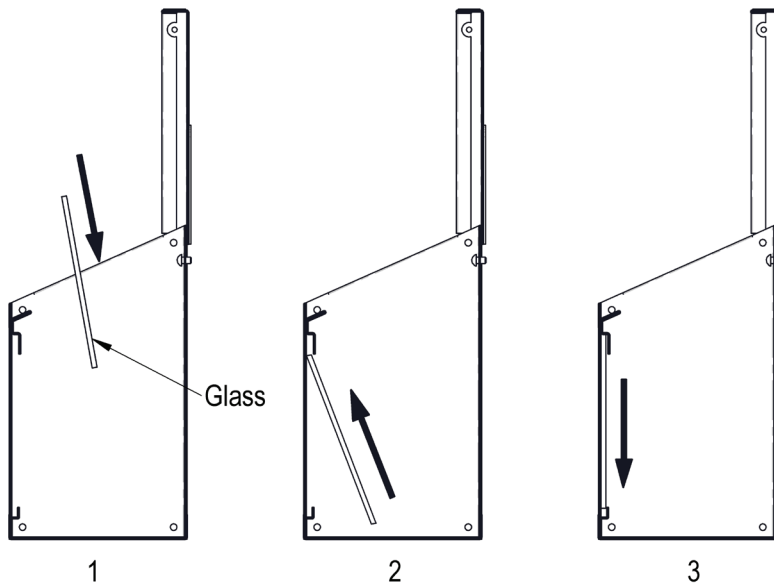
# Installation Instructions

## MAILBOX MOUNTING INSTRUCTIONS - LARGE

1. Using a  $\frac{1}{4}$ " drill bit, mark and drill two level holes 10" apart from each other.
2. Hammer the blue plug anchors into the two  $\frac{1}{4}$ " holes. Screw the two #10 x  $1\frac{1}{2}$ " stainless steel screws into the two blue anchors, leaving  $\frac{1}{2}$ " of threads exposed outside of the wall.
3. Slide the mailbox over the two stainless steel screws using the two key slot holes in the back of the mailbox. Once the heads of the screws have passed the back wall of the mailbox allow the box to drop down and rest level on to the screws. Gently tighten the screws until the mailbox is snug to the wall. Do not over tighten.



## GLASS INSTALLATION INSTRUCTIONS



## OPTIONAL MAGAZINE RACK INSTALLATION

