



15 : 00

estimated
assembly time



2 or more

people required

Ok, let's
get started!



- Put on mood music!
- To prevent damage to product, use the clean side of package carton or rug as working surface.
- In the event of missing or damaged parts, delivery problems etc., please reach out to our team.
We will be happy to fix the problem!

care guide

- Clean regularly with a soft and dry cloth.
- To protect finish, avoid use of abrasive cleaners.
- Wipe up spills immediately. Please!

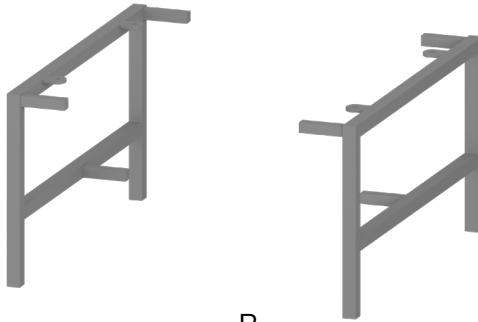
ⓘ **While assembling the product, tighten the bolts up to 50%. Once all parts are in place, only then fully tighten the bolts.**



product parts



A
Tabletop
x1



B
Table Legs
x2



C
Rod
x1

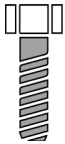
what's included



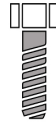
(D) -Washer
($\text{\O}18\text{mm} \times \text{\O}8\text{mm}$)
x4



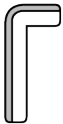
(E)-Lock Washer
($\text{\O}15\text{mm} \times \text{\O}8\text{mm}$)
x4



(F) -Bolt
(M6x20mm)
x4



(G) -Bolt
(M6x10mm)
x12



(H)- Allen key
($\text{\O}4\text{mm} \times \text{\O}110\text{mm}$)
x1

assembly instructions

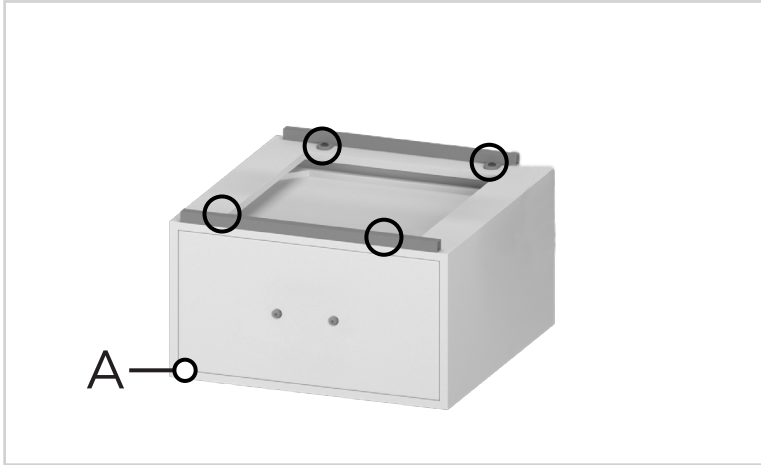
Friendly Tip: Take a deep breath going in. This may be a tricky part, but nothing too overwhelming. Just follow these steps to the T and the outcome will be worth it!



- ⓘ While assembling the product, tighten the bolts up to 50%. Once all parts are in place, only then fully tighten the bolts.

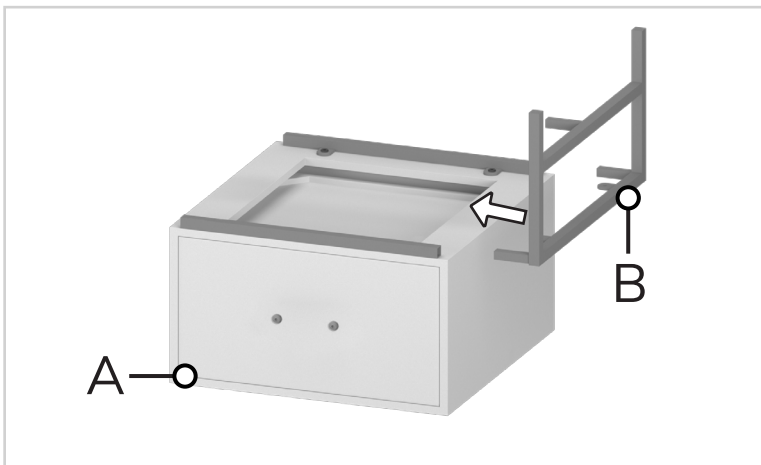
step 1:

Start by turning the table top (A) upside-down. Unscrew the preinstalled metal rods (using Allen Key (H)) on the table top by 50%. See the highlighted areas below for point reference.



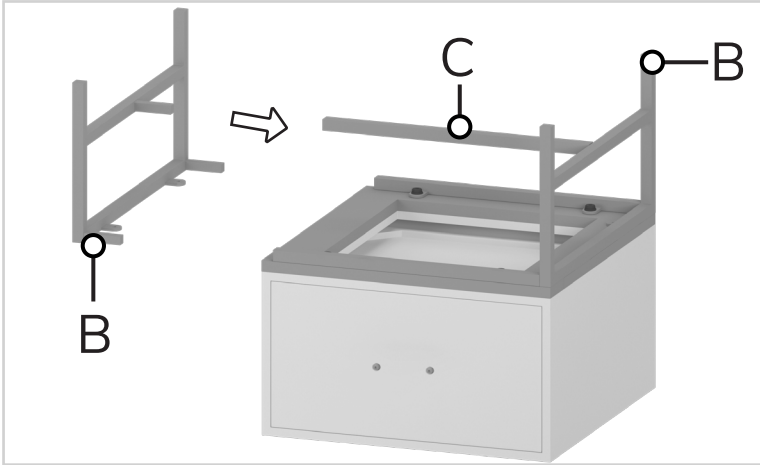
step 2:

Now, insert the left metal leg (B left) into the metal rods on the table top. See this image for reference.



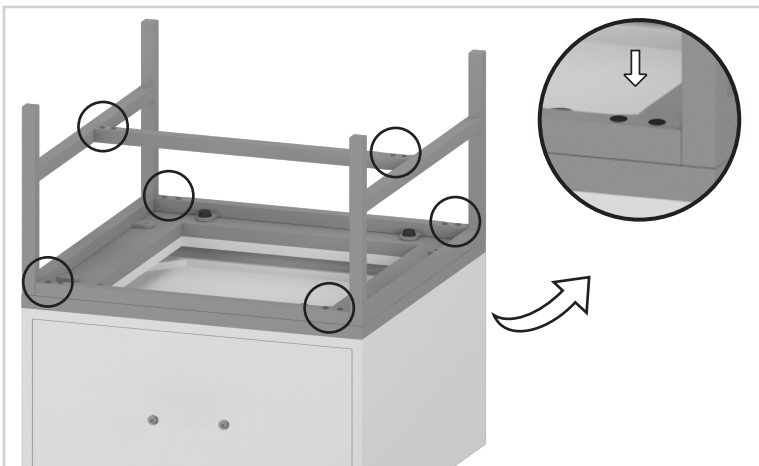
step 3:

Slide rod (C) onto the table leg (B) as shown in the image. Next, insert the other table leg (B) into rod (C) and the preinstalled rods on the tabletop (A). We're off to a great start.



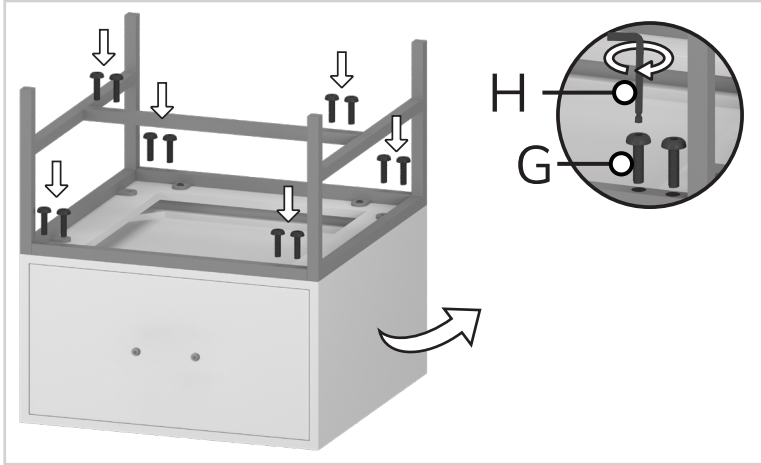
step 4:

Check out the holes on rod (C) and the preinstalled rods as highlighted in the image. That's where you'll be inserting bolts (G).



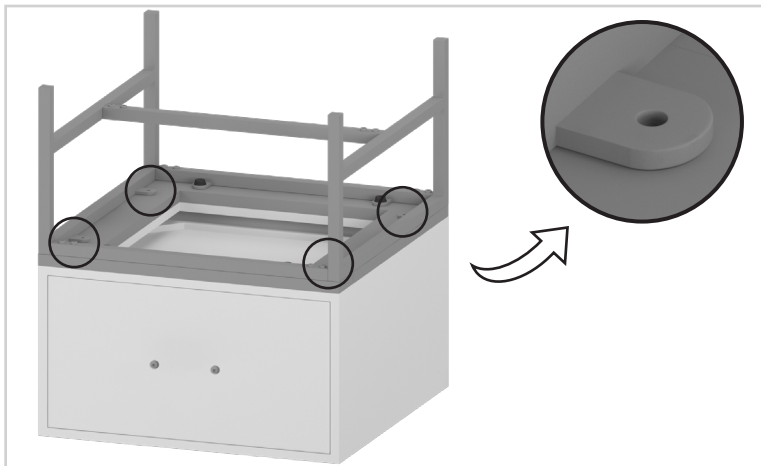
step 5:

Using bolts (G) and allen key (H), secure them in place.



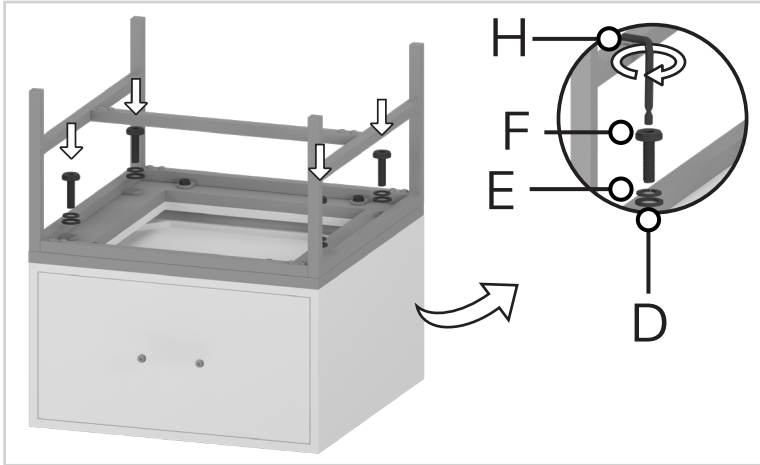
step 6:

Refer to the highlighted areas to see where you'll be inserting bolts (F) next.



step 7:

Placing lock washers (E) on top of washers (D), fasten bolts (F) on all four holes using allen key (H).



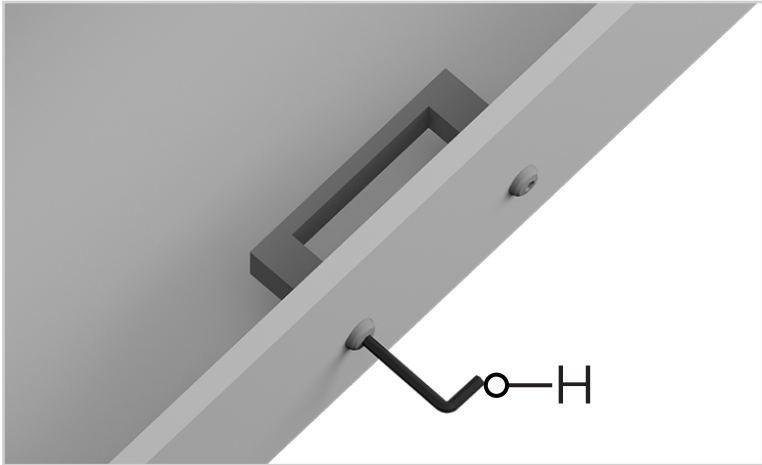
step 8:

Now turn the table upside-down and pull on the ribbons to open the drawer.



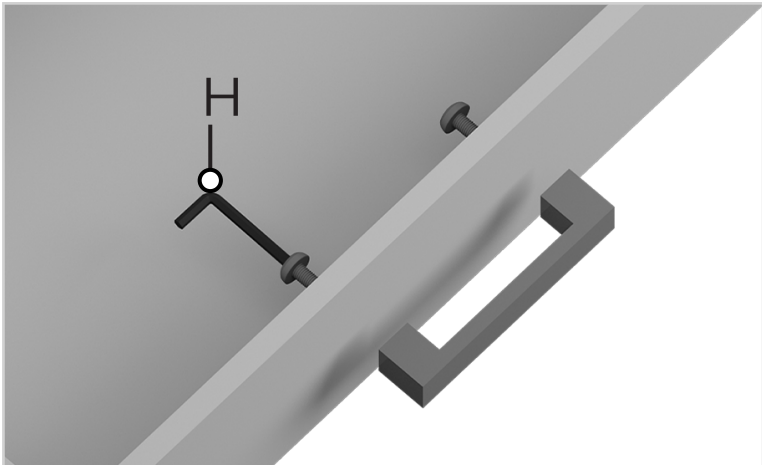
step 9:

Using allen-key (H), detach the handle fitted inside the drawer.



step 10:

Place the handle outside the drawer and reattach it using the bolts you removed in step 9. Tighten it in place using allen-key (H).



Voila! Your table is now assembled and secure!