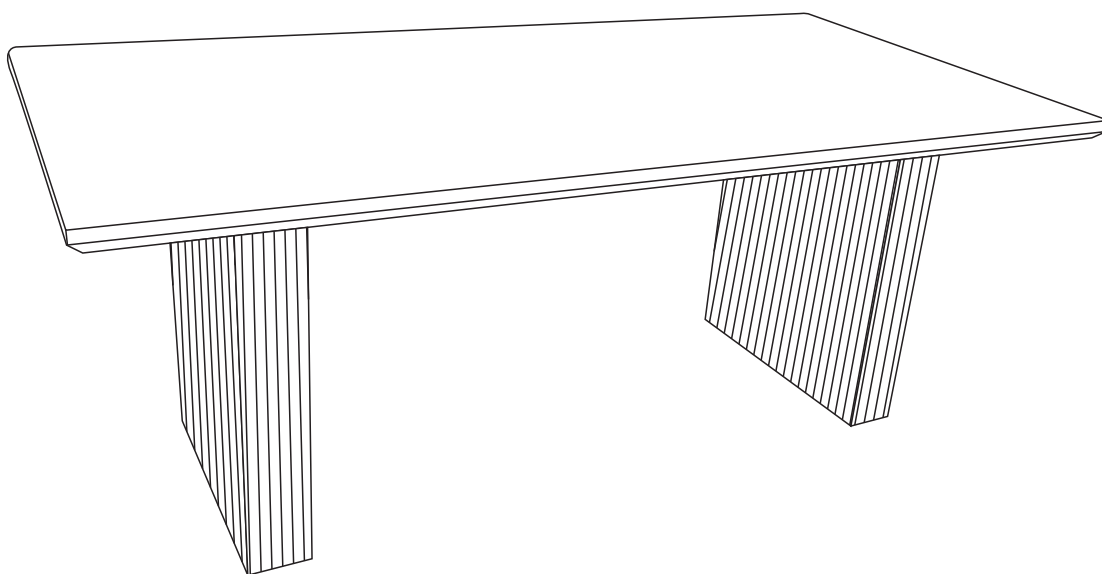


# RECTANGULAR DINING TABLE

*Instruction manual*





# SAFETY AND CARE ADVICE






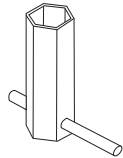



PLEASE READ THESE INSTRUCTIONS CAREFULLY AND KEEP FOR FUTURE

- *Check you have all the components and tools listed on pages 2 or 3.*
- *Remove all fittings from the plastic bags and separate them into their groups.*
- *Keep children and animals away from the work area, small parts could choke if swallowed.*
- *Make sure you have enough space to layout the parts before starting.*
- *Do not stand or put weight on the product, this could cause damage.*
- *Assemble on a soft level surface to avoid damaging the unit or your floor (use opened out unit carton).*
- *We do not recommend the use of power drill/drivers for inserting screws, as this could damage the unit. Only use hand screwdrivers.*



# COMPONENTS — PANELS

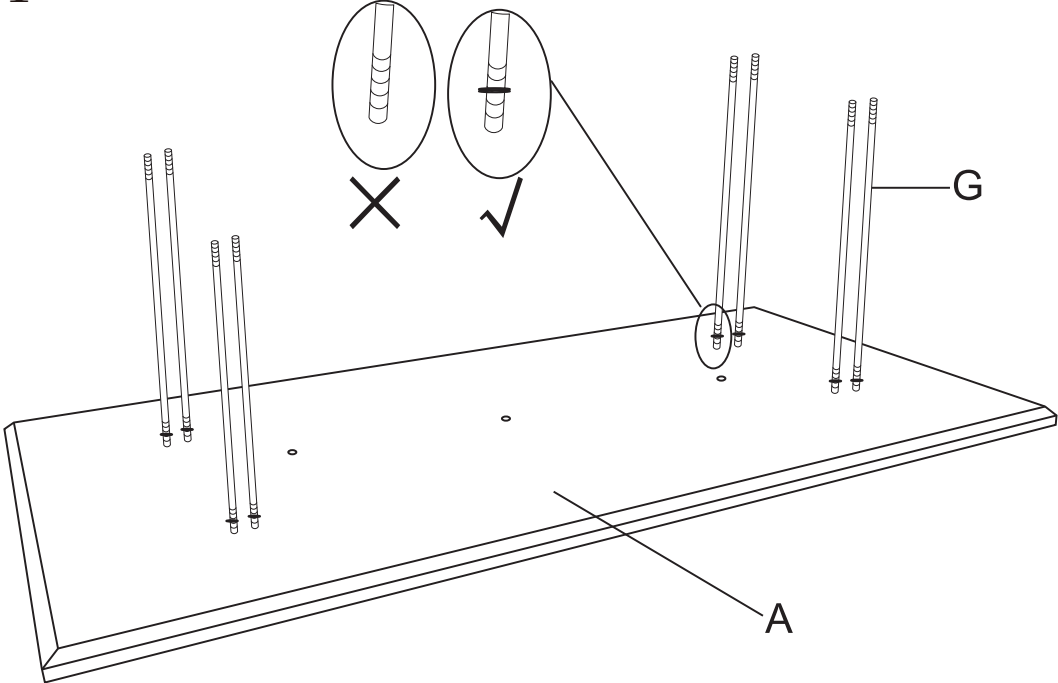
---

<p>Ax1</p> 	<p>Bx2</p> 	<p>Cx1</p> 
<p>Dx8</p>  <p>M8</p>	<p>Ex11</p>  <p>M8*18mm</p>	<p>Fx1</p> 
<p>Gx8</p>  <p>M8*740mm</p>	<p>Hx3</p>  <p>M8*65mm</p>	<p>Ix1</p>  <p>5#</p>

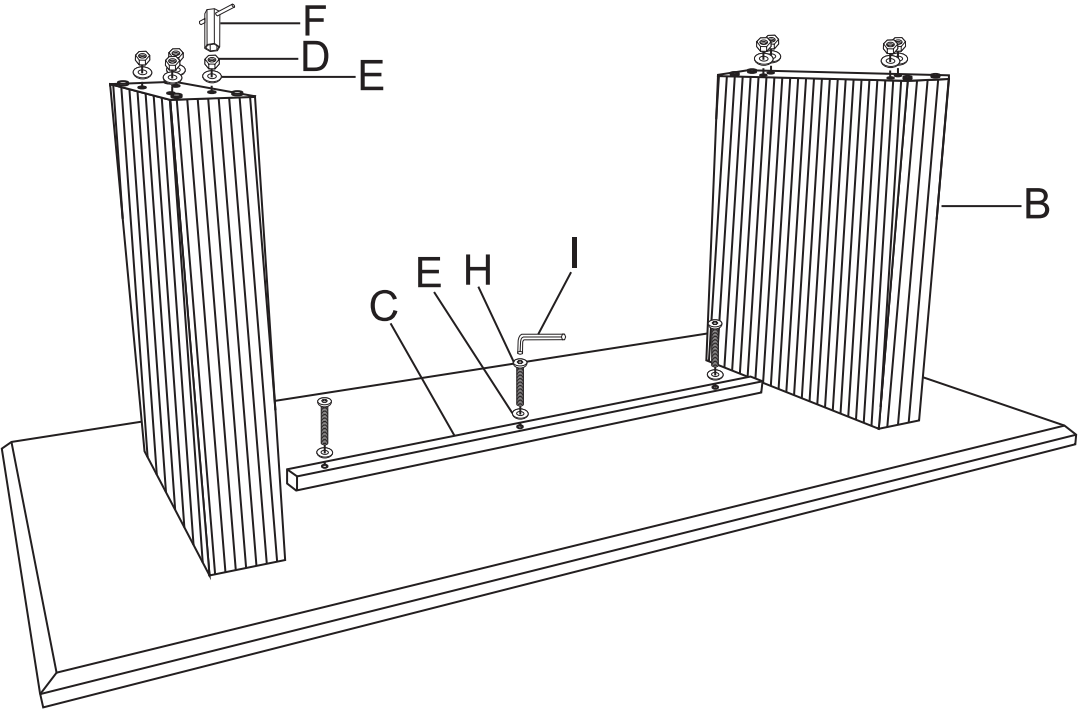
# ASSEMBLY INSTRUCTIONS

---

step1

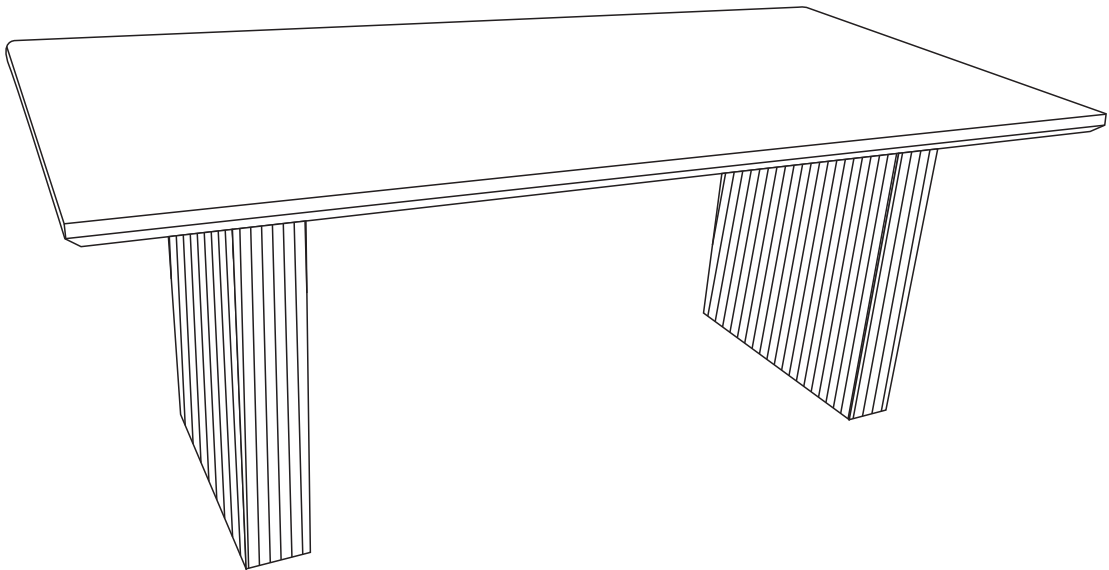


step2



# ASSEMBLY INSTRUCTIONS

---



*Congratulations!  
Now you have finished assembling the product.*