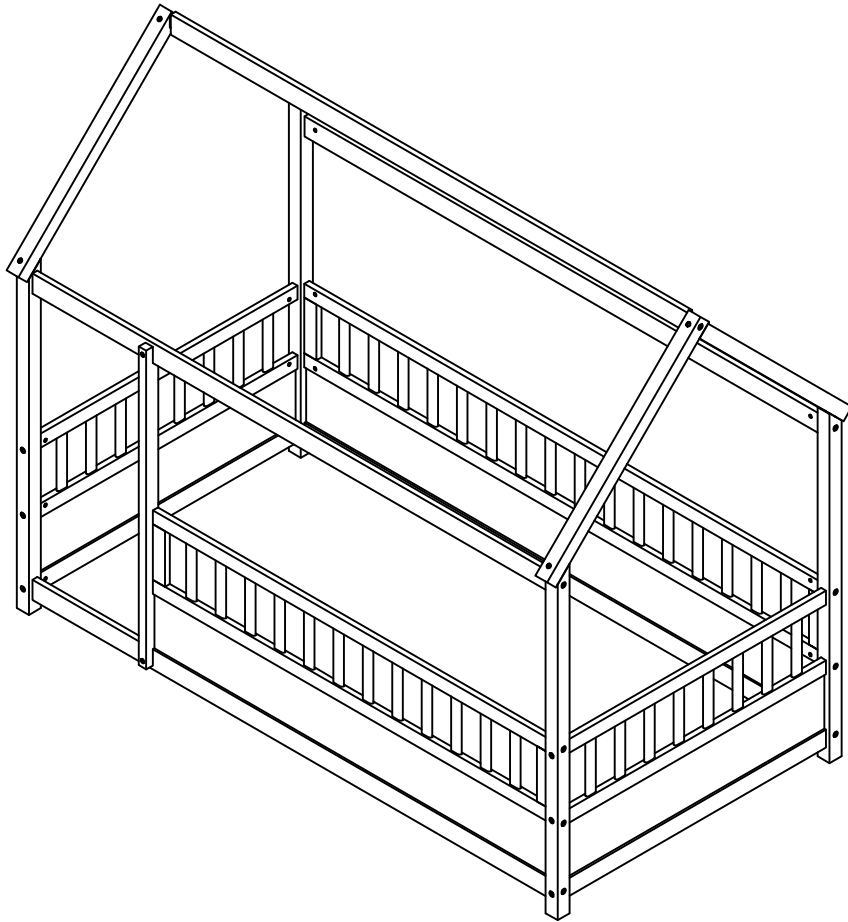
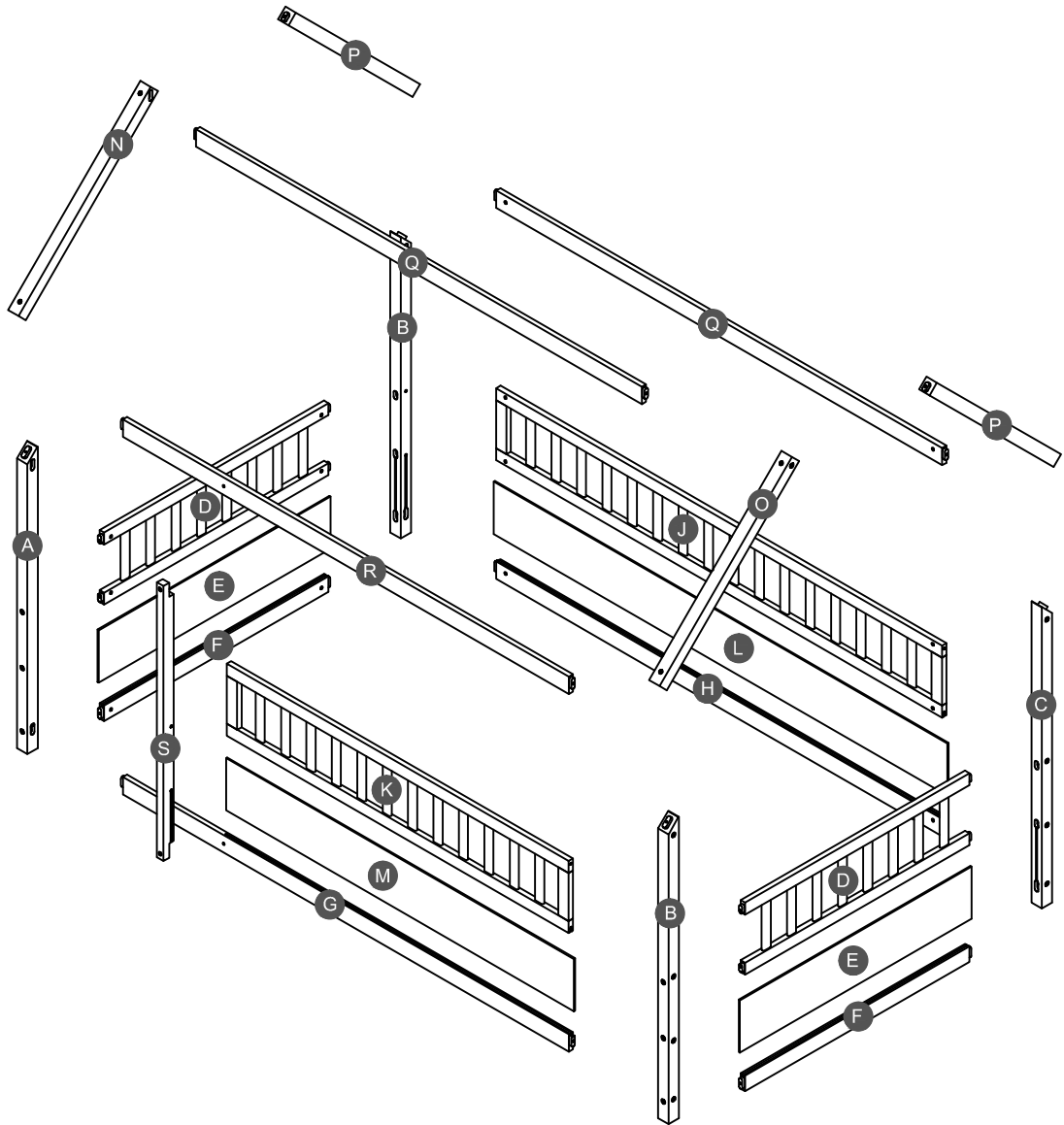


ASSEMBLY INSTRUCTIONS

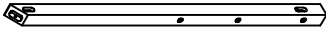
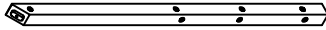
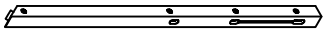
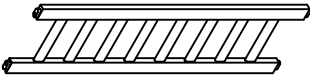
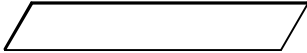
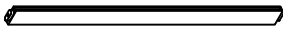
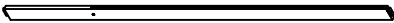
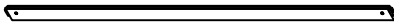

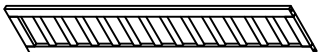
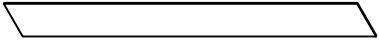
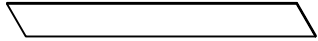
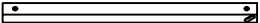
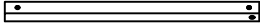

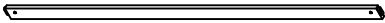

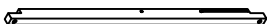
TWIN HOUSE BED




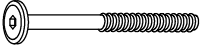



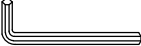
Detail View



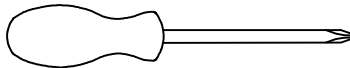
Part List

<p>A</p>  <p>Leg (Left Front) - 1pc</p>	<p>B</p>  <p>Leg (Left Back/Right Front) - 2pcs</p>	<p>C</p>  <p>Leg (Right Back) - 1pc</p>
<p>D</p>  <p>Frame HB/FB - 2pcs</p>	<p>E</p>  <p>Side panel HB/FB - 2pcs</p>	<p>F</p>  <p>Lower horizontal bar HB/FB - 2pcs</p>
<p>G</p>  <p>Lower horizontal bar (Front) - 1pc</p>	<p>H</p>  <p>Lower horizontal bar (Back) - 1pc</p>	<p>J</p>  <p>Long guard rail (Back) - 1pc</p>
<p>K</p>  <p>Short guard rail (Front) - 1pc</p>	<p>L</p>  <p>Back panel - 1pc</p>	<p>M</p>  <p>Front panel - 1pc</p>
<p>N</p>  <p>Upper (Left Front) - 1pc</p>	<p>O</p>  <p>Upper (Right Front) - 1pc</p>	<p>P</p>  <p>Upper (Back) - 2pcs</p>
<p>Q</p>  <p>Upper horizontal bar - 2pcs</p>	<p>R</p>  <p>Upper horizontal bar (Front) - 1pc</p>	<p>S</p>  <p>Vertical guard rail (Front) - 1pc</p>

Hardware List

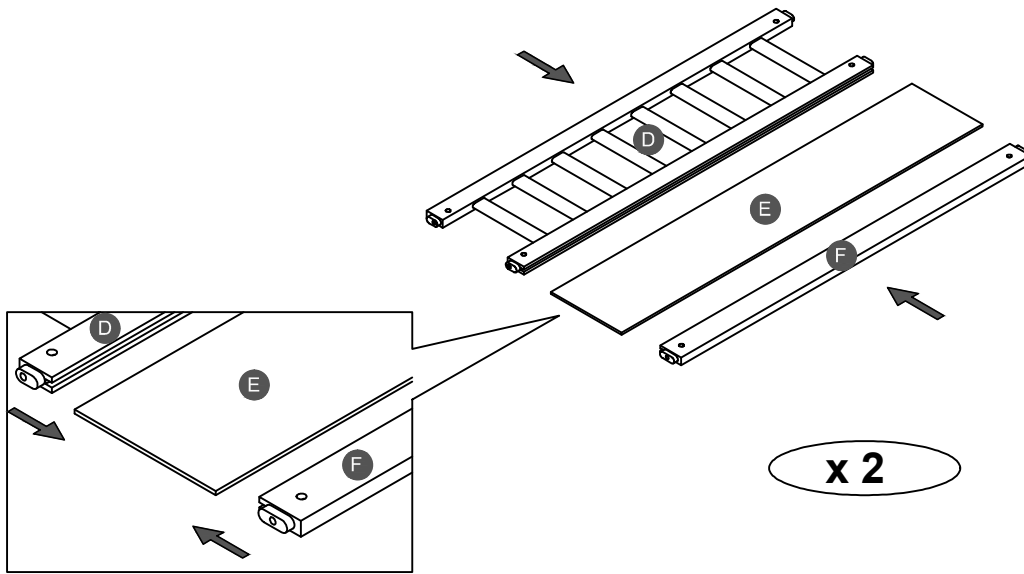
1  (Ø15)1/4"*100mm	2  (Ø15)1/4"*80mm	3  (Ø12)1/4"*35mm
Hex-Head bolts (16pcs)	Hex-Head bolts (14pcs)	Hex-Head bolts (2pcs)
4  (Ø12)1/4"*65mm	5  1/4"*15 (9.5mm)	6  (1/4")4.5*58mm
Wood screw bolts (6pcs)	Horizontal-Hole bolts (30pcs)	Allen key (1pc)

ASSEMBLY TOOLS REQUIRED (NOT INCLUDED)

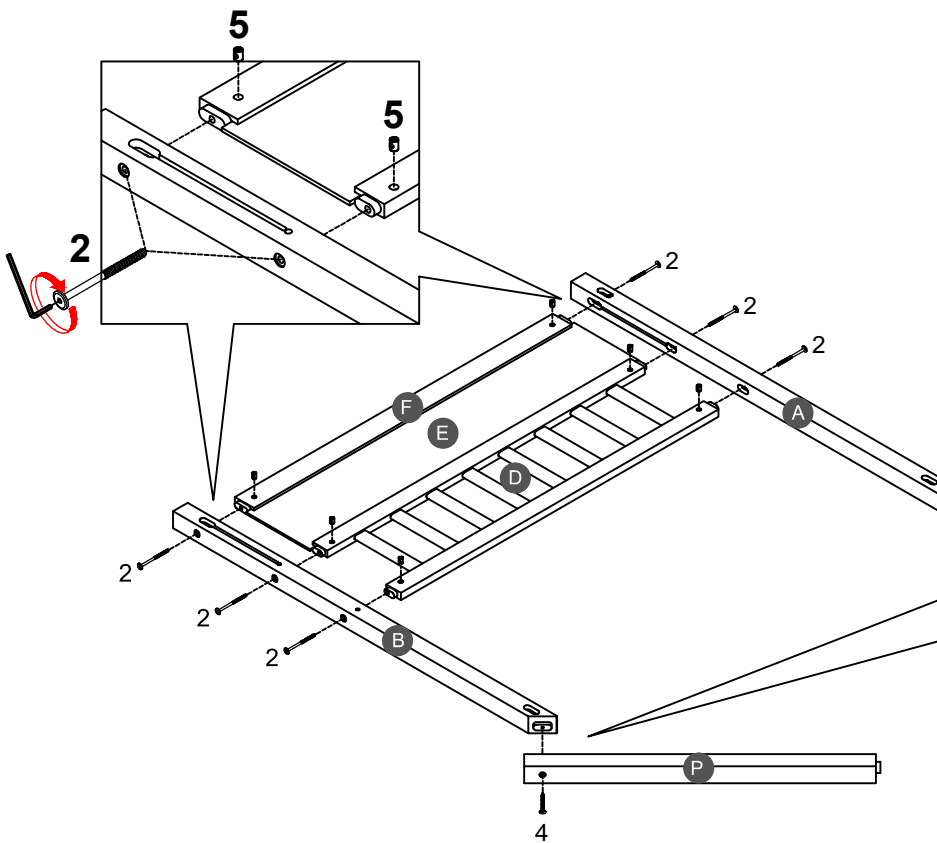


PLEASE BE CAREFUL DO NOT DAMAGE THE HOLE POSITION WHEN YOU USE POWER TOOLS !

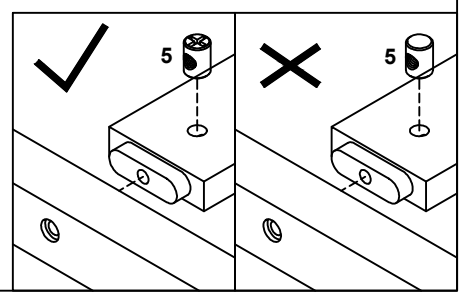
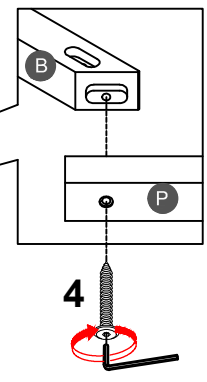
STEP 1:



STEP 2:



2		4	
6PCS		1PC	
		5	
		6PCS	



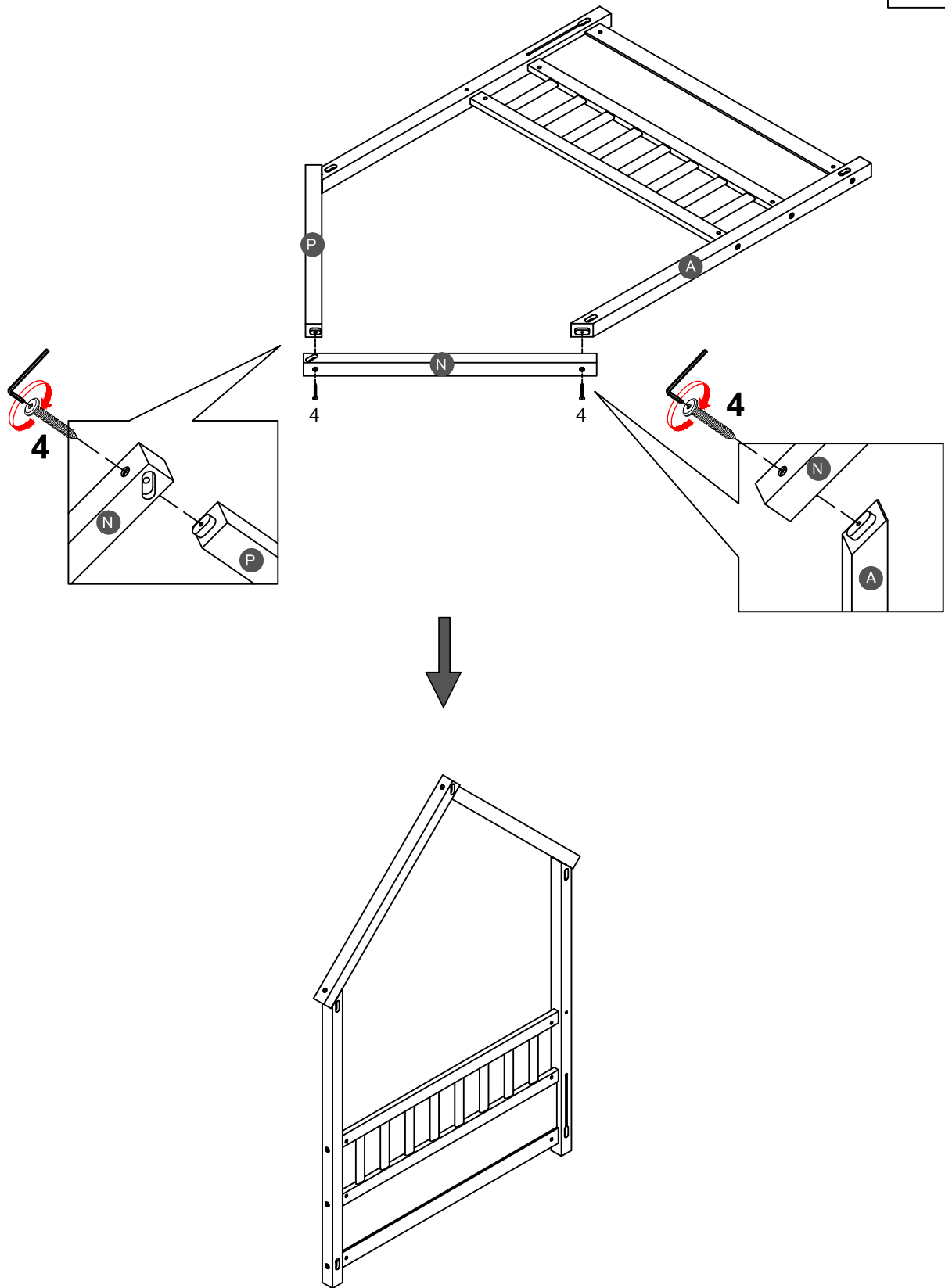
Note: Part 5 will face up with the "x" mark on it, otherwise it cannot be tightened

STEP 3:

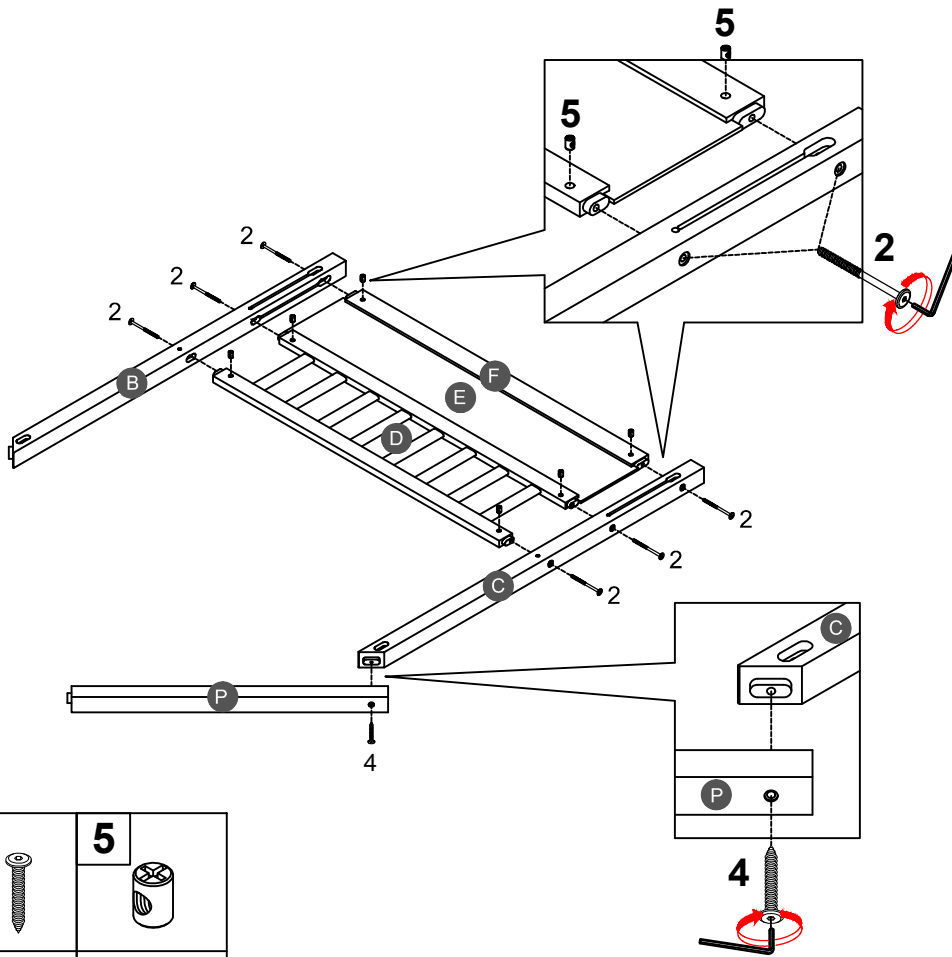
4



2PCS

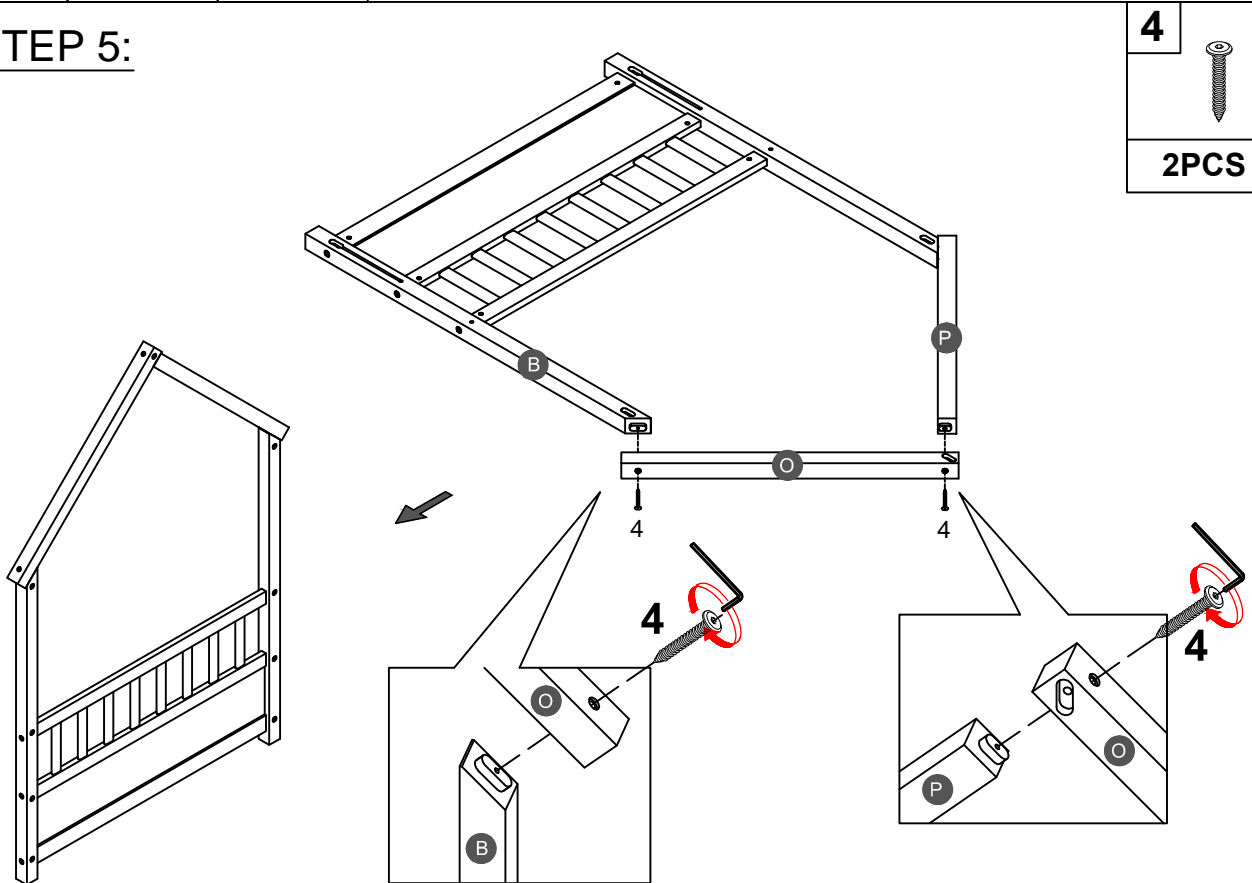


STEP 4:



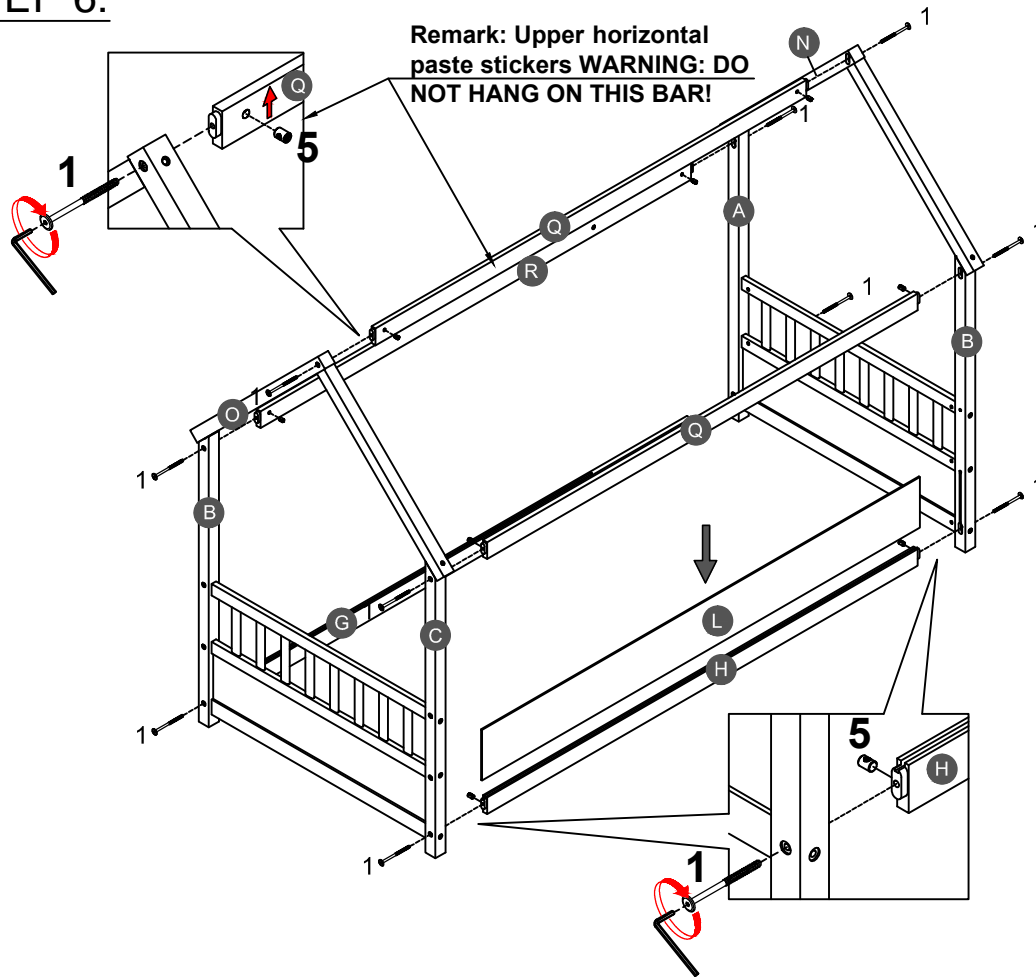
2	4	5
6PCS	1PC	6PCS

STEP 5:



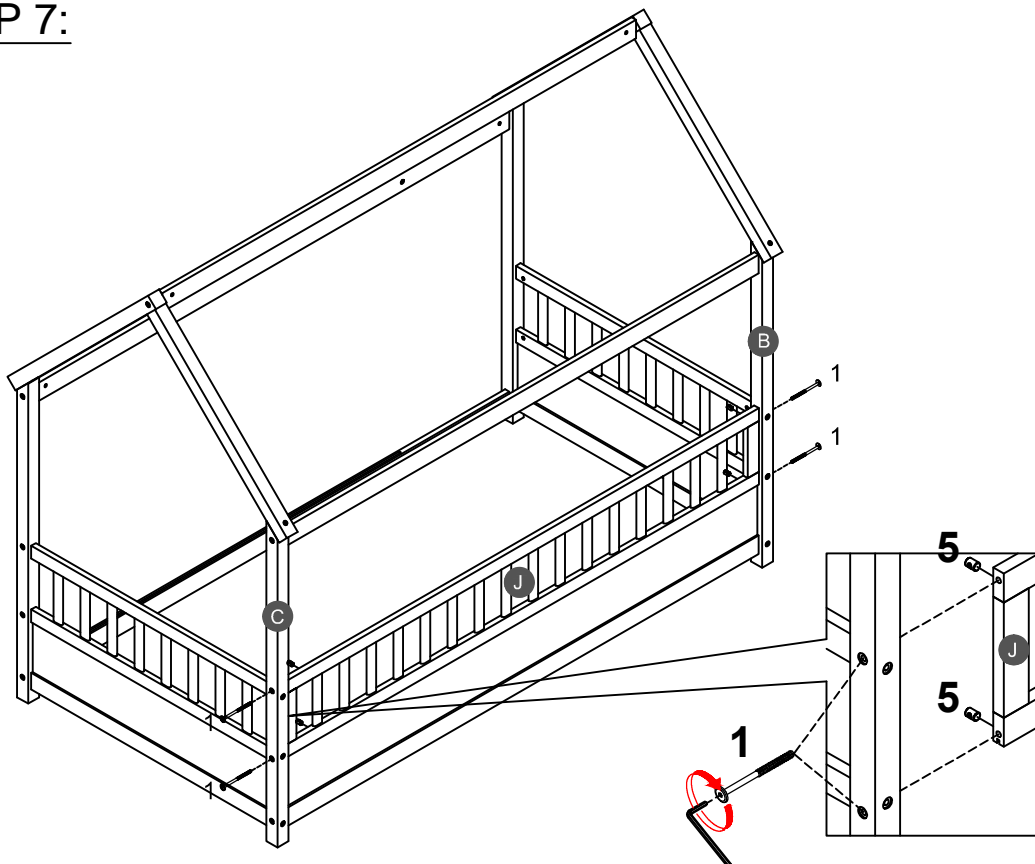
4
2PCS

STEP 6:



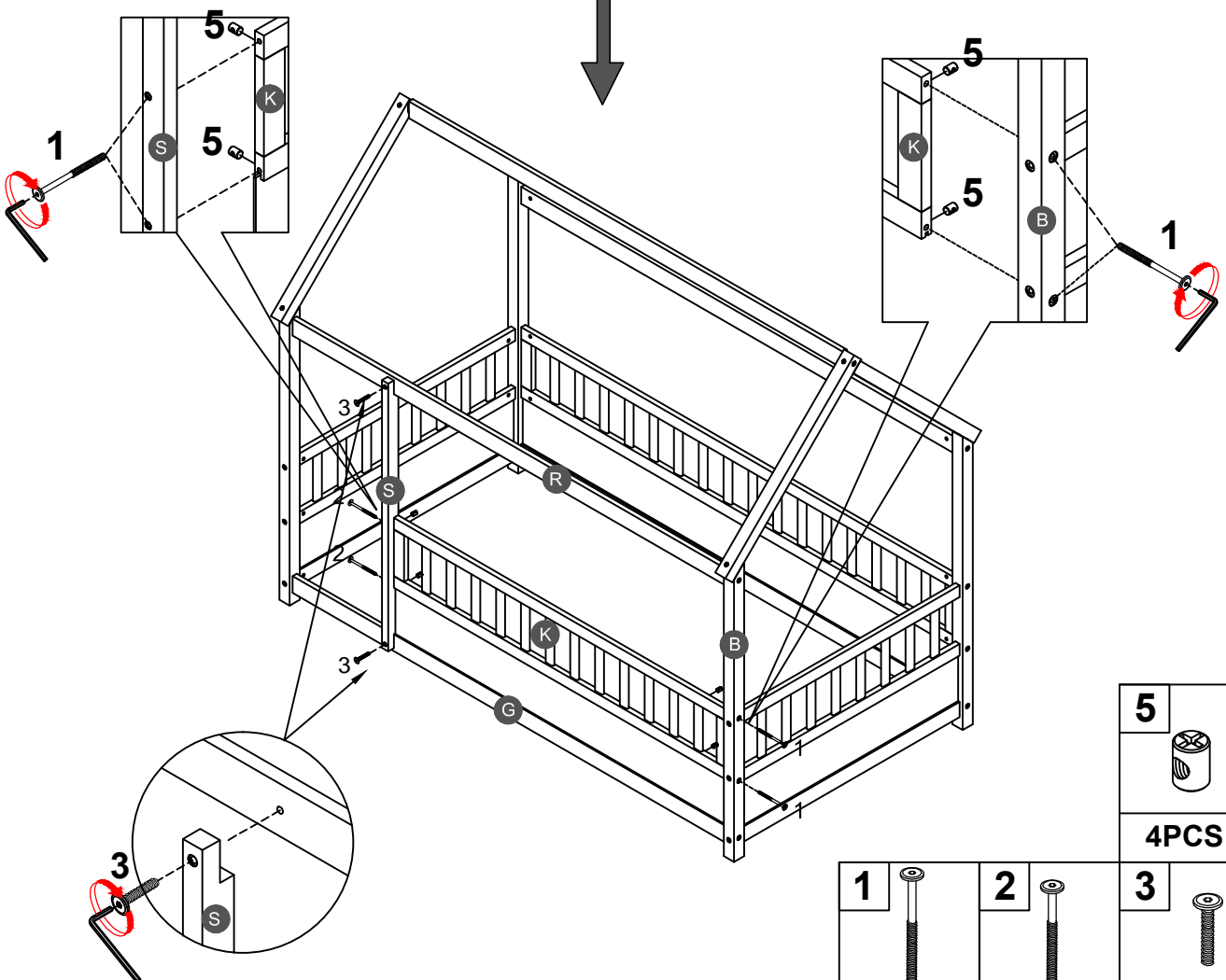
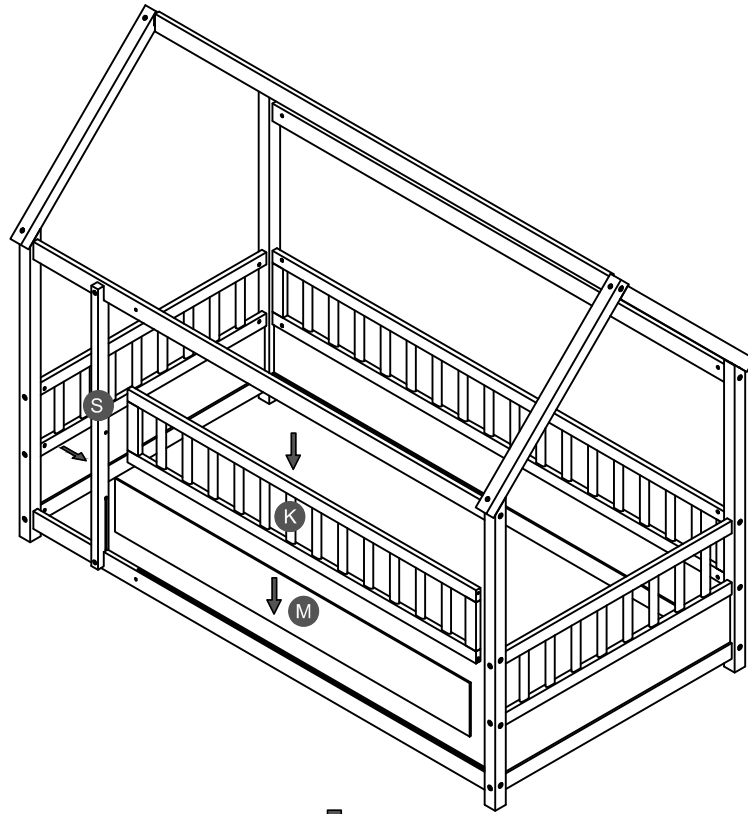
1	
	10PCS
5	
	10PCS

STEP 7:



1	
	4PCS
5	
	4PCS

STEP 8:



5		
4PCS		
1	2	3
2PCS	2PCS	2PCS