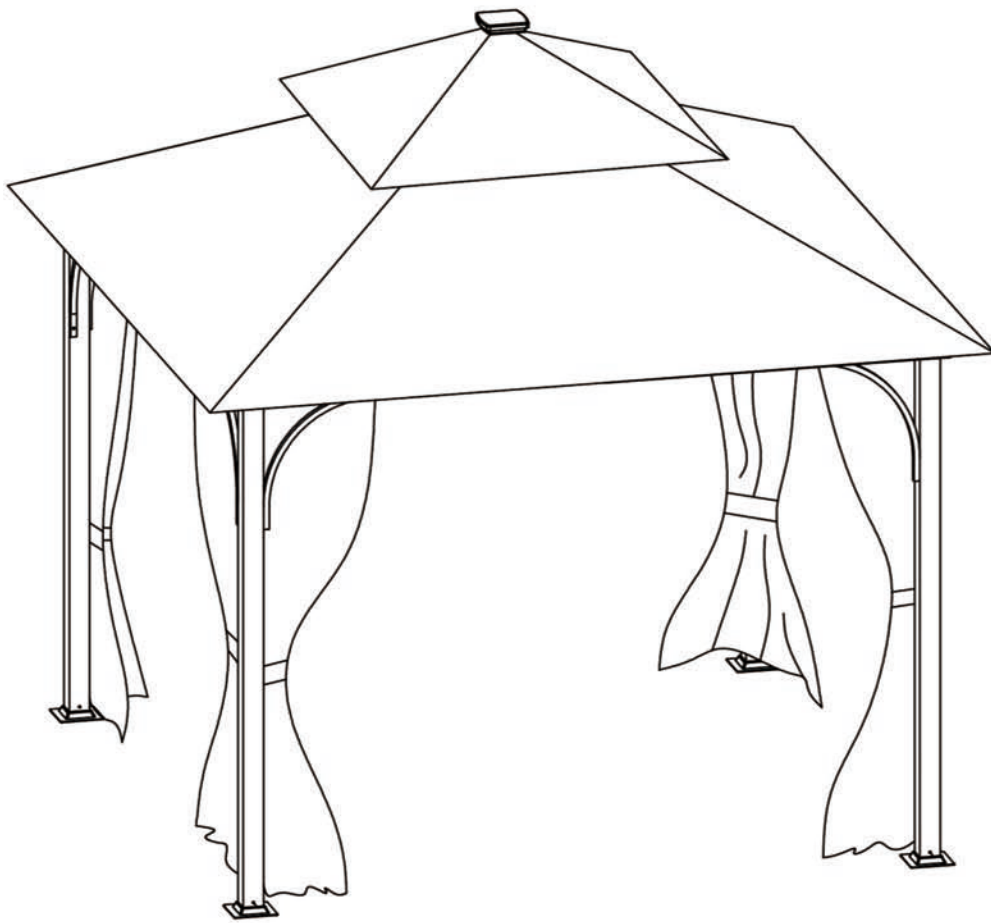






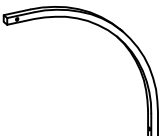
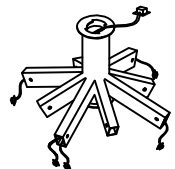

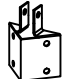

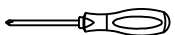

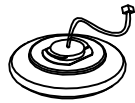





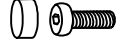




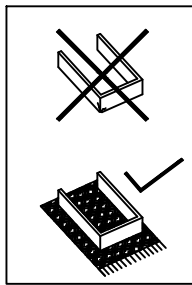


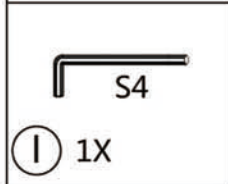
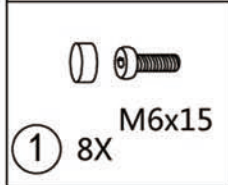
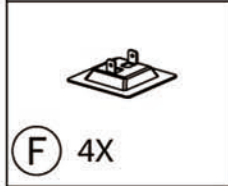
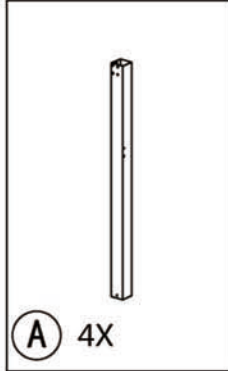
## Assembly Instruction



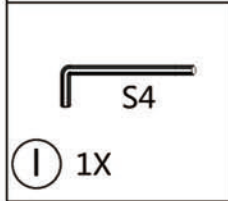
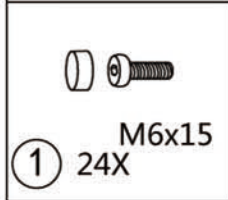
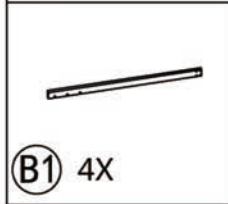
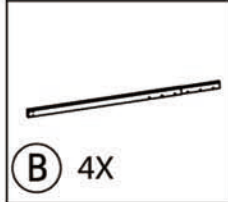
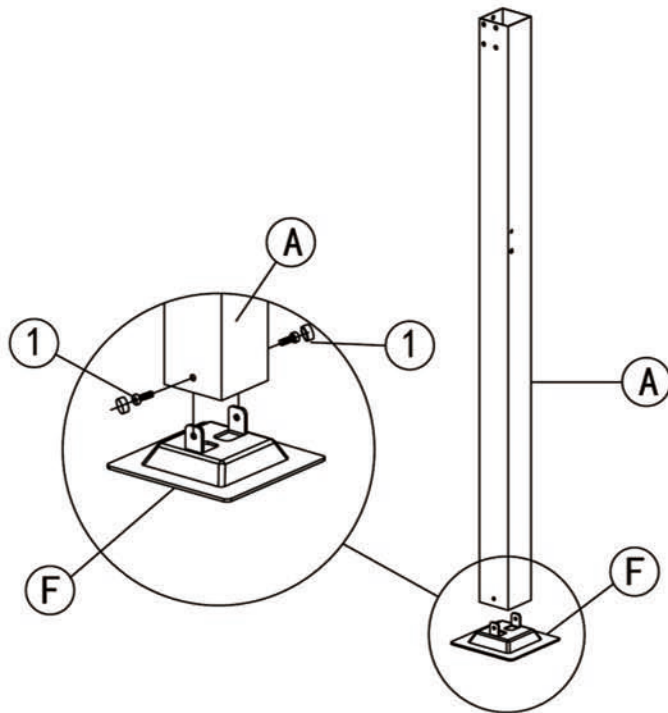
Parts list

			
<b>(A)</b> 4X	<b>(B)</b> 4X		
			
<b>(B1)</b> 4X	<b>(C)</b> 3X		
			
<b>(C1)</b> 1X ON/OFF	<b>(C2)</b> 4X		
			
<b>(D)</b> 8X	<b>(E)</b> 1X		
			
<b>(F)</b> 4X	<b>(G)</b> 4X	<b>(G1)</b> 4X	<b>(O)</b> 1X
			
<b>(H)</b> 1X	<b>(H1)</b> 1X	<b>(I)</b> 4X S4	<b>(J)</b> 1X
			
<b>(K)</b> 1X	<b>(K1)</b> 1X	<b>(K2)</b> 4X	<b>(1)</b> 52X M6x15
			
<b>(2)</b> 12X M6x25	<b>(3)</b> 16X M6x30	<b>(4)</b> 16X M6x45	<b>(5)</b> 16X ST5x12

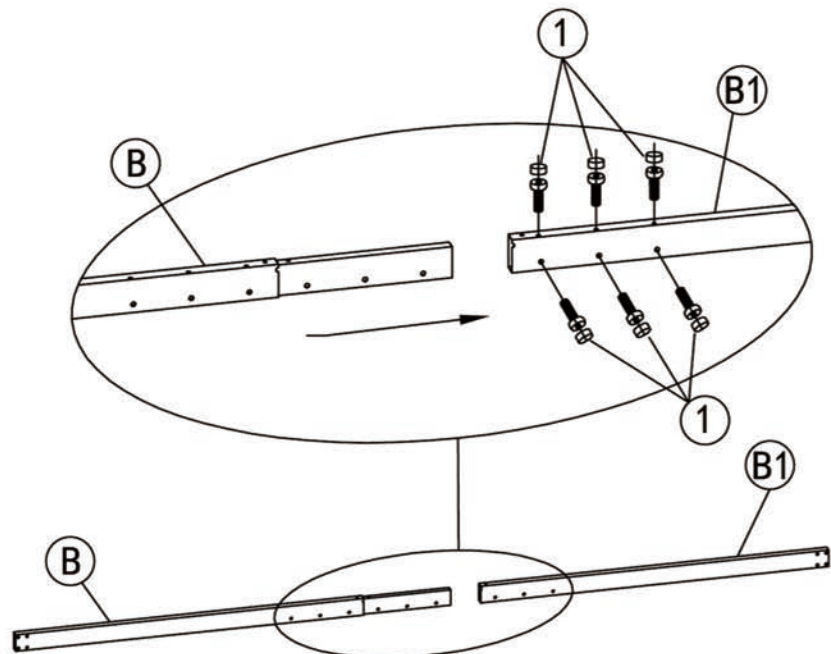




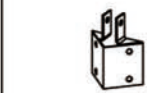
<1>



<2>



3



(G) 4X



(G1) 4X



(1) 16X M6x15



(4) 16X M6x45



(5) 16X ST5x12



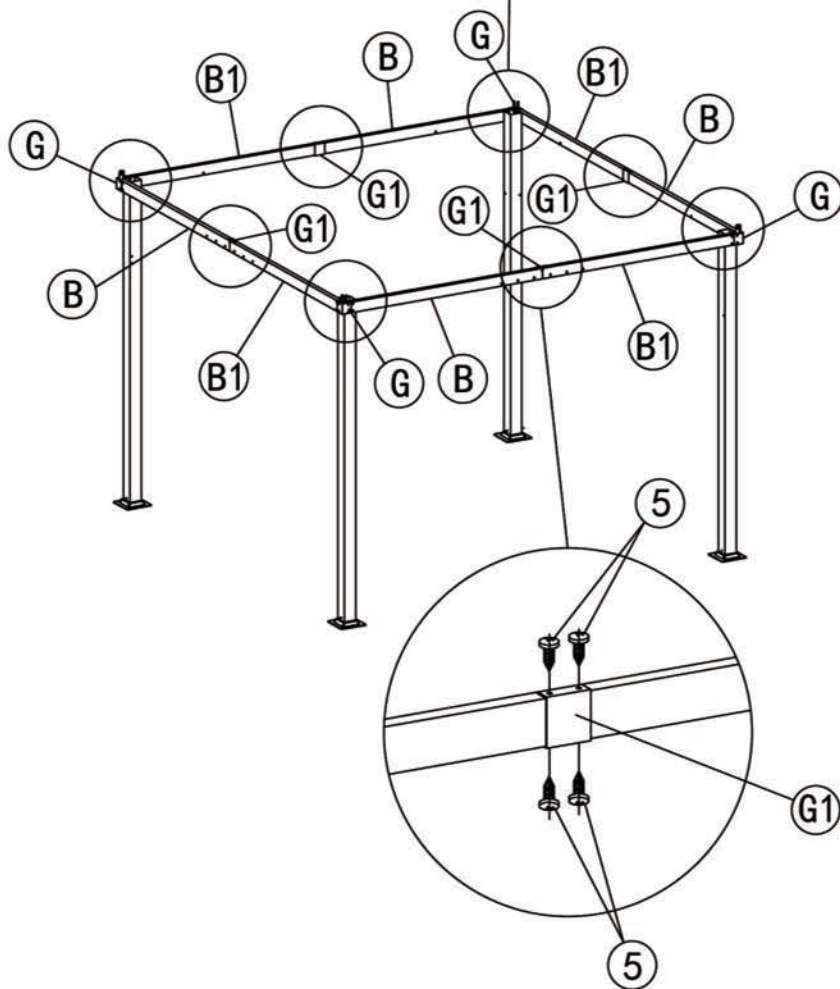
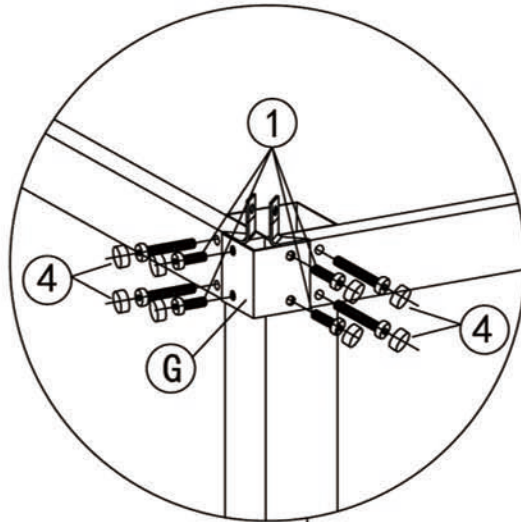
(I) 1X S4



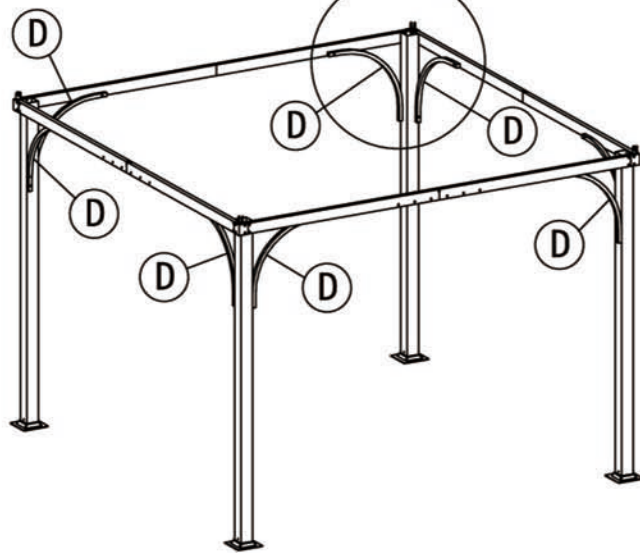
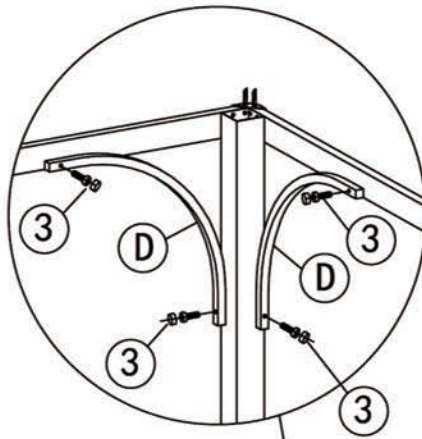
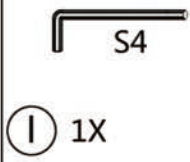
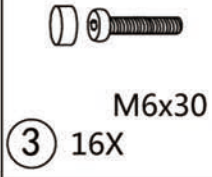
(O) 1X

4

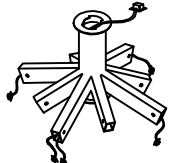
<3>



<4>



5



(E) 1X



(C) 3X

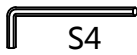


(C1) 1X



M6x25

(2) 4X



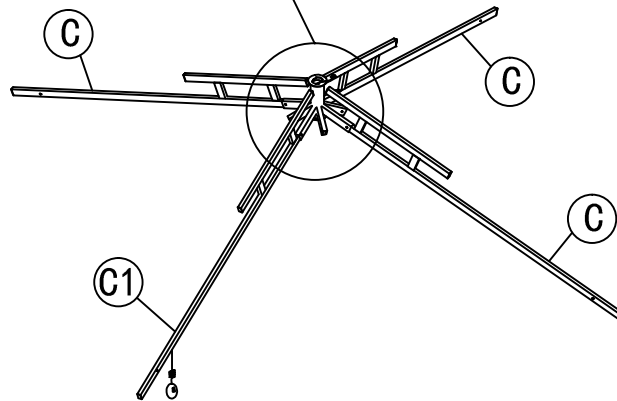
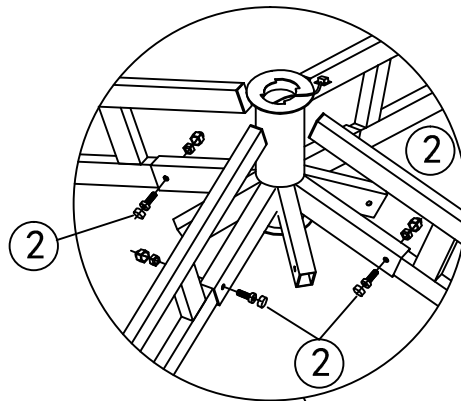
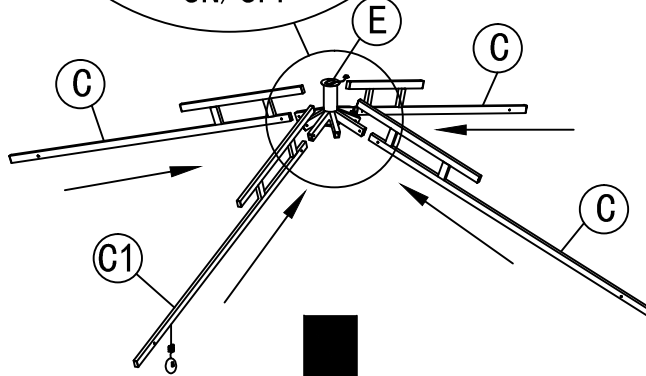
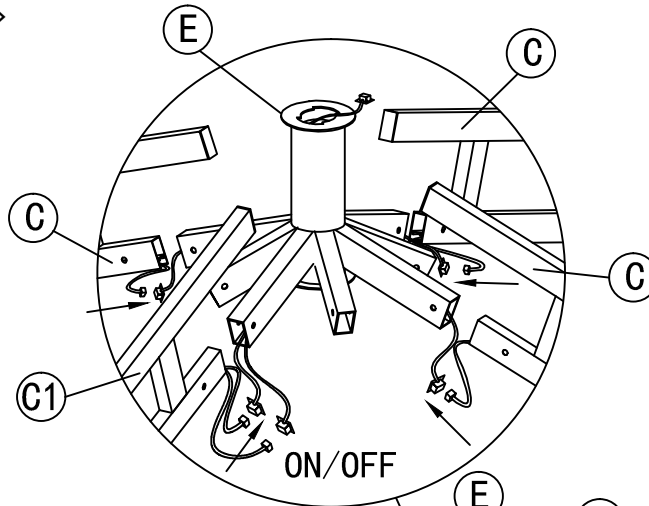
(I) 1X

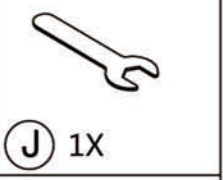
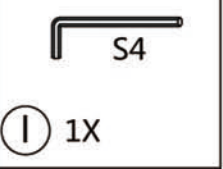
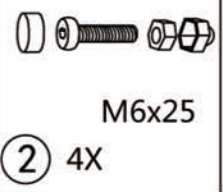


(J) 1X

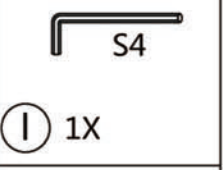
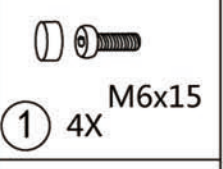
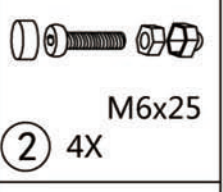
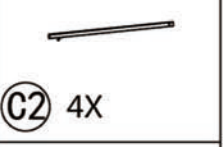
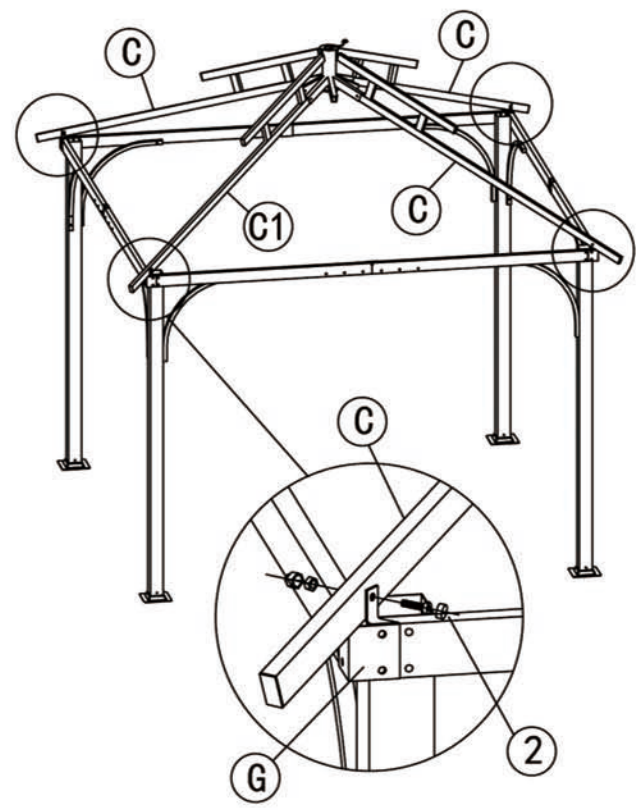
6

<5>

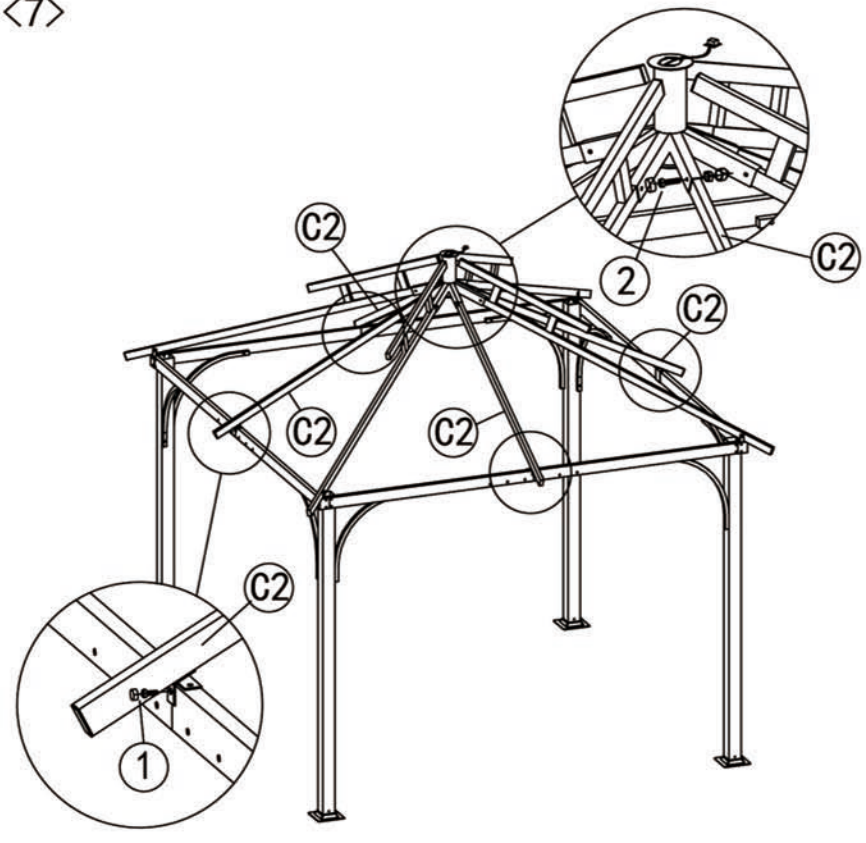




<6>



<7>



7

<8>



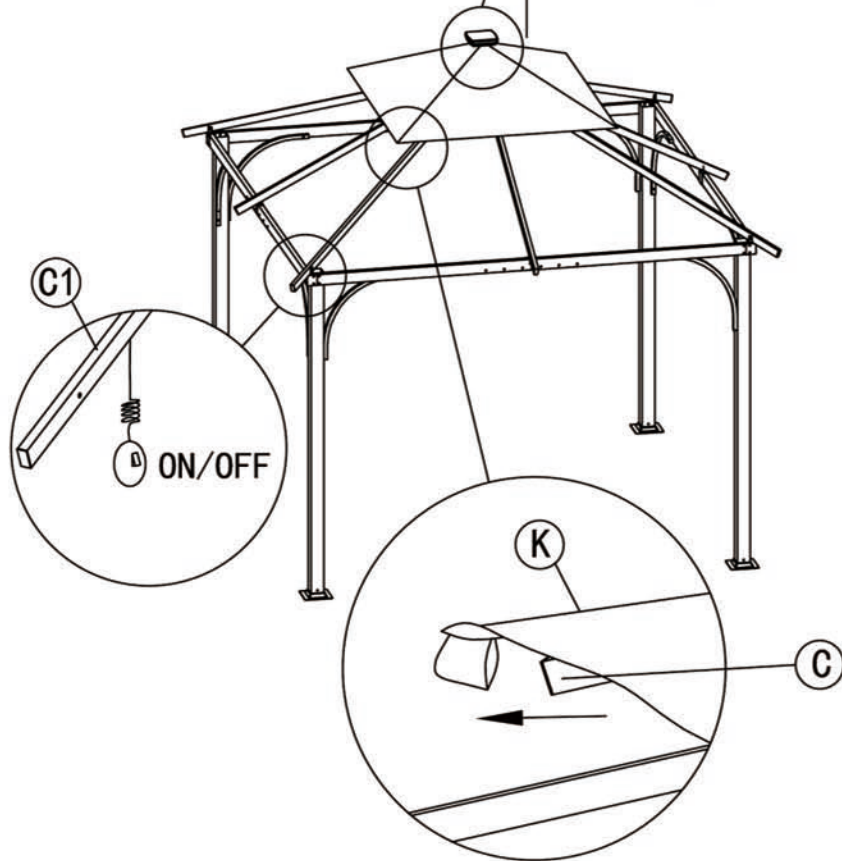
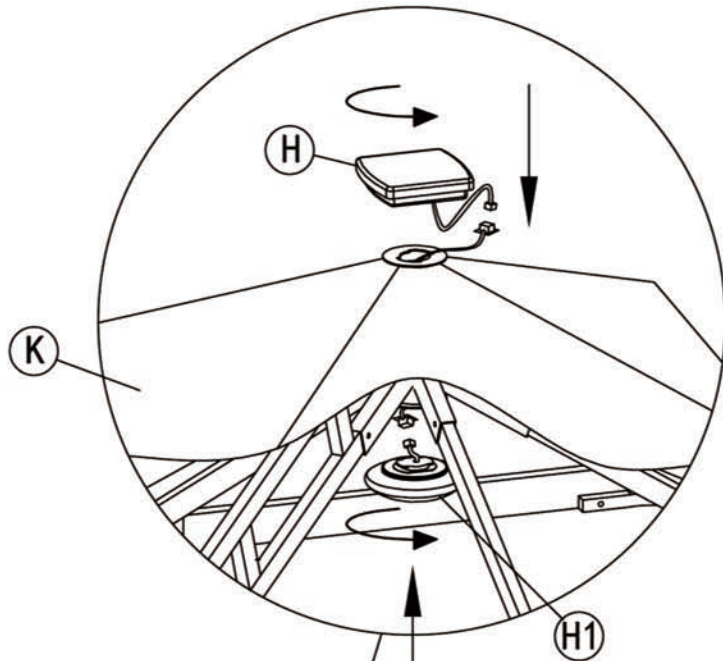
(H) 1X



(H1) 1X



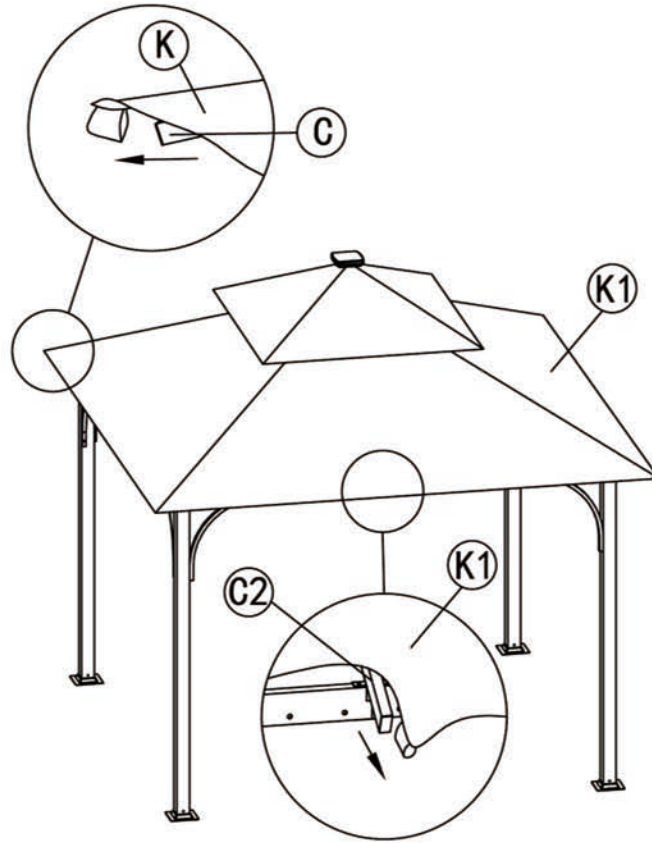
(K) 1X





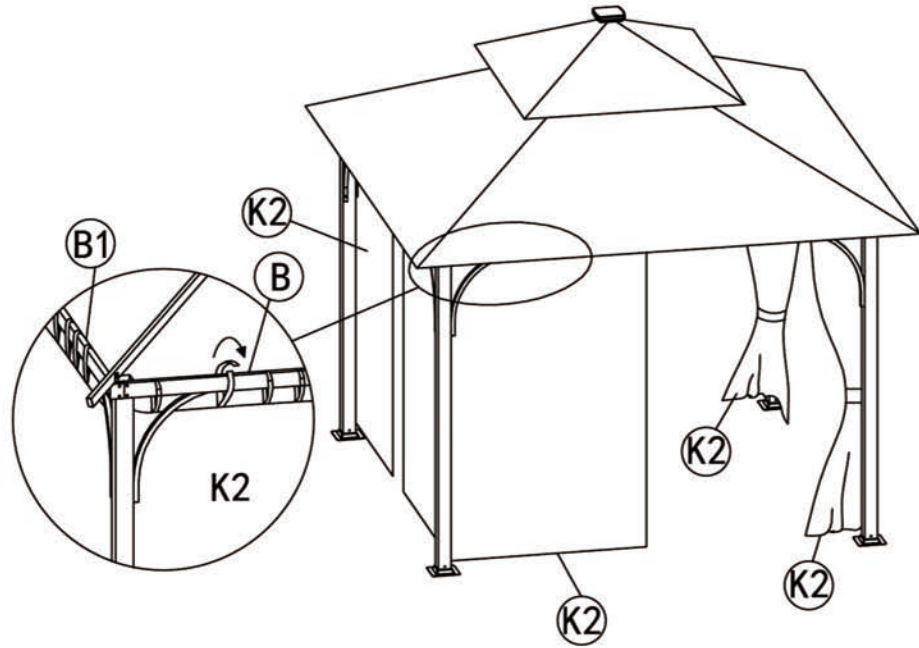
(K1) 1X

<9>



(K2) 4X

<10>



9

## **Warning**

1. It is the consumer's responsibility to comply with any relevant local planning requirements.
2. Three persons are required for assembly. The tools required are the screwdriver and spanner supplied, a stepladder and other relevant safety items such as gloves.
3. This gazebo will take at least 1-2 hours to set up. You must allow enough time to complete the assembly. Do not leave it unattended if not fully assembled, even if bolted to the ground.
  - a. Make sure that all components are in the box. Read instructions carefully before starting the assembly.
  - b. Follow all instructions carefully to assure the strength of the gazebo.
  - c. In order to avoid damage to the gazebo and its components, use appropriate tools. Do not use the structure as a support; a stepladder is recommended.
  - d. Check all bolts and screws on a regular basis to maintain the solidity of the structure.
  - e. Keep the instructions and parts list for further use.

## **Maintenance**

- In the event that your gazebo needs replacement parts, repairs or you require assistance with regards to assembly; please contact the original place of purchase
- For cleaning: Use a mild domestic soap or soft detergent and wash with warm water using a sponge or microfibre fabric. Rinse with clean water.
- The canopy and curtains must be removed for winter storage.

## **Excluded**

- Damages due to vandalism, abuse and incorrect use of the product are not covered by the warranty.
- Damages due to extreme weather conditions such as thunderstorm, hail and high winds are not covered by warranty.