

# KOHLER® 68" FREESTANDING BUBBLEMASSAGE™ BATH WITH BASK™ HEATED SURFACE

## ARCHER®

### K-2595-GW

#### Features

- Slotted overflow for maximum bathing depth
- Integral lumbar support
- Molded armrests for extra comfort
- Airjets release thousands of bubbles that surround, support and massage the body
- Variable-speed blower lets you adjust the airjet massage to 18 levels
- Immediate and manual purge cycles remove residual water from air channels after use
- Bask™ Heated Surface provides soothing warmth on your back and neck
- Three heat settings allow you to customize the surface temperature
- Lighted keypad controls
- Textured Bottom Surface
- Two-piece design
- 67-3/4" (1568 mm) x 31-3/4" (806mm) x 22" (559 mm)
- End Drain Placement
- Requires 120V electrical service

#### Material

- Exocrylic™

#### Hydrotherapy

- BubbleMassage

#### Installation

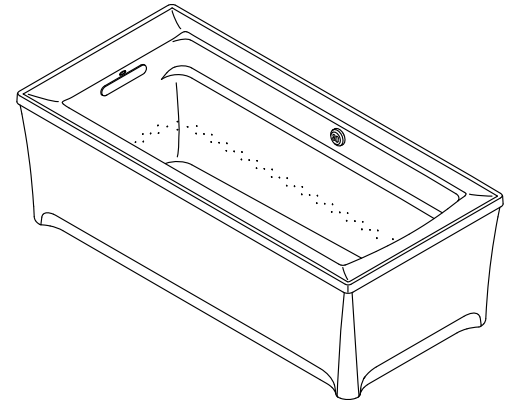
- Freestanding Bath
- Requires K-7271 or K-7272 Clearflo slotted overflow bath drain (sold separately).

#### Required Accessories

K-7271 Slotted Overflow Bath Drain

or

K-7272 Slotted Overflow Bath Drain








#### Codes/Standards

ASME A112.19.7/CSA B45.10  
 CSA B45.5/IAPMO Z124  
 UL 1795  
 CARB P2

See website for detailed warranty information.

#### Available Color/Finishes

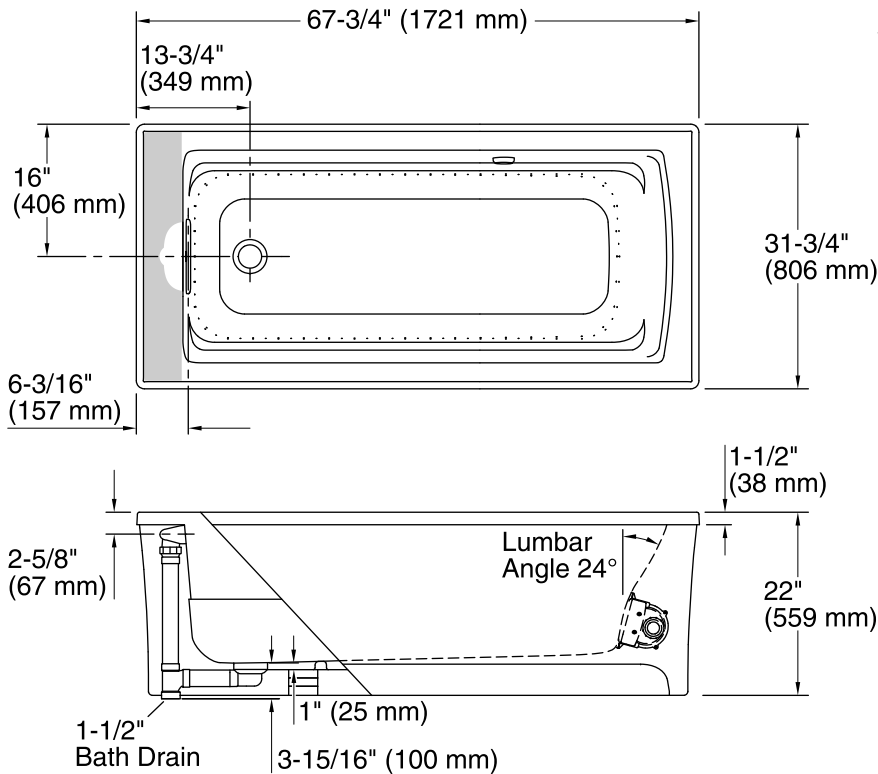
*Color tiles intended for reference only.*

Color	Code	Description
	0	White
	96	Biscuit
	47	Almond
	NY	Dune
	G9	Sandbar

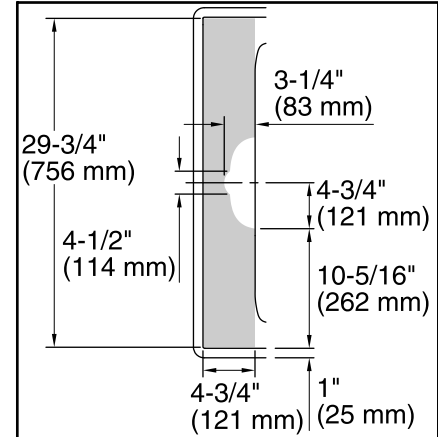
# KOHLER® 68" FREESTANDING BUBBLEMASSAGE™ BATH WITH BASK™ HEATED SURFACE

## K-2595-GW

Recommended faucet area.



No change in measurements if connected with drain illustrated. (K-7272)



Recommended Faucet Area Detail

### Required Electrical Service

One dedicated circuit required, protected with Class A Ground-Fault Circuit-Interrupter (GFCI) or Residual Current Device (RCD).

Blower, Heated Surface: 120 V, 15 A, 60 Hz

### Technical Information

All product dimensions are nominal.

Installation:	Freestanding
Drain location:	Reversible
Basin area, bottom:	51-1/16" x 19-11/16" (1297 mm x 500 mm)
Basin area, top:	58-9/16" x 25-5/16" (1487 mm x 643 mm)
Weight:	105 lbs (47.6 kg)
Minimum floor load:	44.5 lbs/ft <sup>2</sup> (217.3 kg/m <sup>2</sup> )
Water depth:	15-1/16" (383 mm)
Water capacity:	65 gal (246.1 L)
Electrical rating:	Blower: 120 V, 15 A, 60 Hz, 300 W Heated Surface: 120 V, 1.1 A, 60 Hz, 65 W
Pump speed:	Variable
Pump speed:	3-speed

### Notes

Measure your actual product for roughing-in details.

Install this product in accordance with the installation instructions.

Locate a GFCI-protected 120 V, 15 A, grounded duplex electrical outlet within 24" (610 mm) of the bath junction box. A 40" (1016 mm) cable is included.

Locate the outlet behind the bath and within 24" (610 mm) of the blower motor.

Remote blower installation kit K-1446 is available for relocating the blower.

**NOTICE:** Do not support the load weight of the bath by the rim.

**NOTICE:** Confirm adequate support for rim-mount faucet. Using faucets as a means of support are not appropriate or safe for this installation.

The hot water supply should be 70% of the capacity of the bath or greater. Installations will vary.