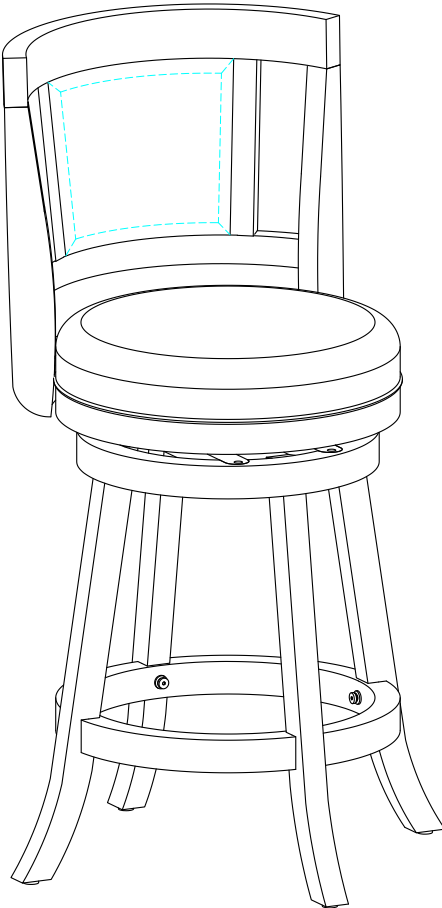


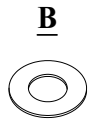
ASSEMBLY INSTRUCTIONS

SWIVEL STOOL

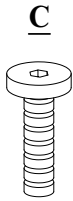




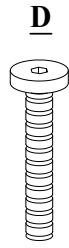
A
Spring Washer
18 PCS



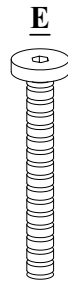
B
Flat Washer
18 PCS



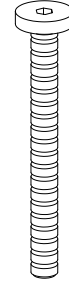
C
M6*25
4 PCS



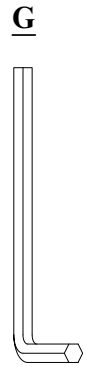
D
M6*40
8 PCS



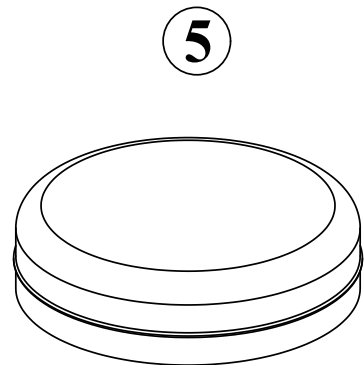
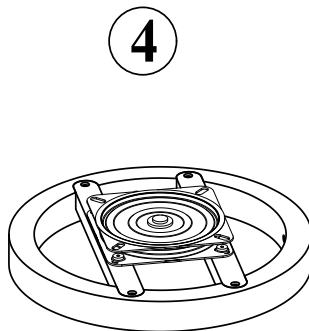
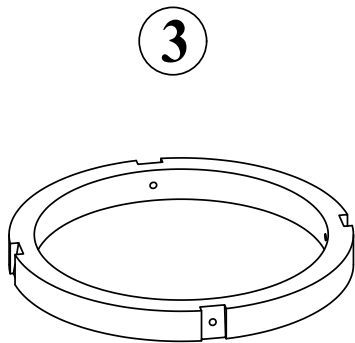
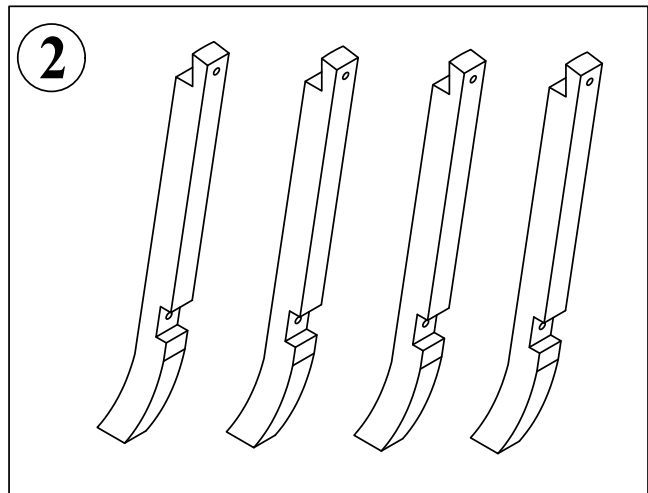
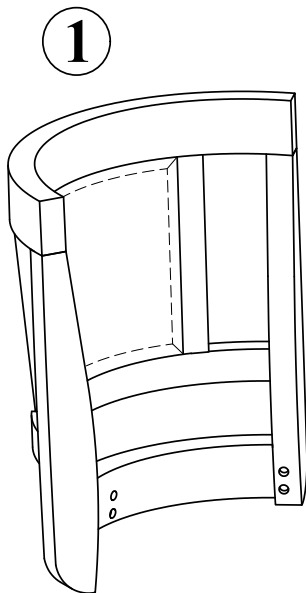
E
M6*45
2 PCS



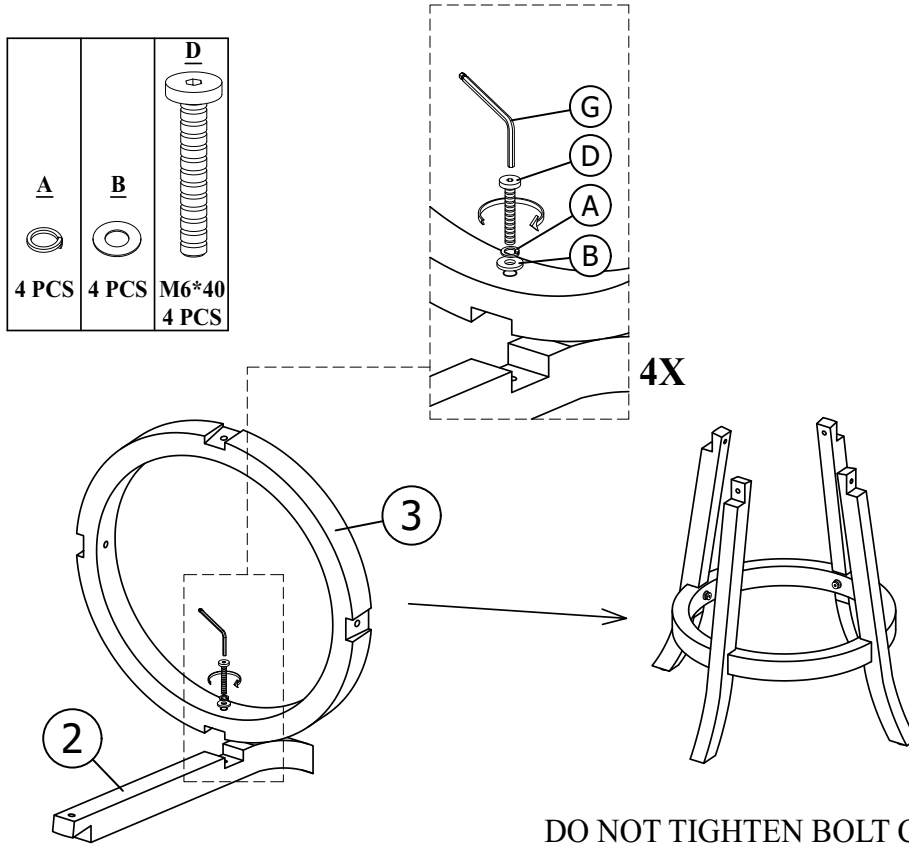
F
M6*50
4 PCS



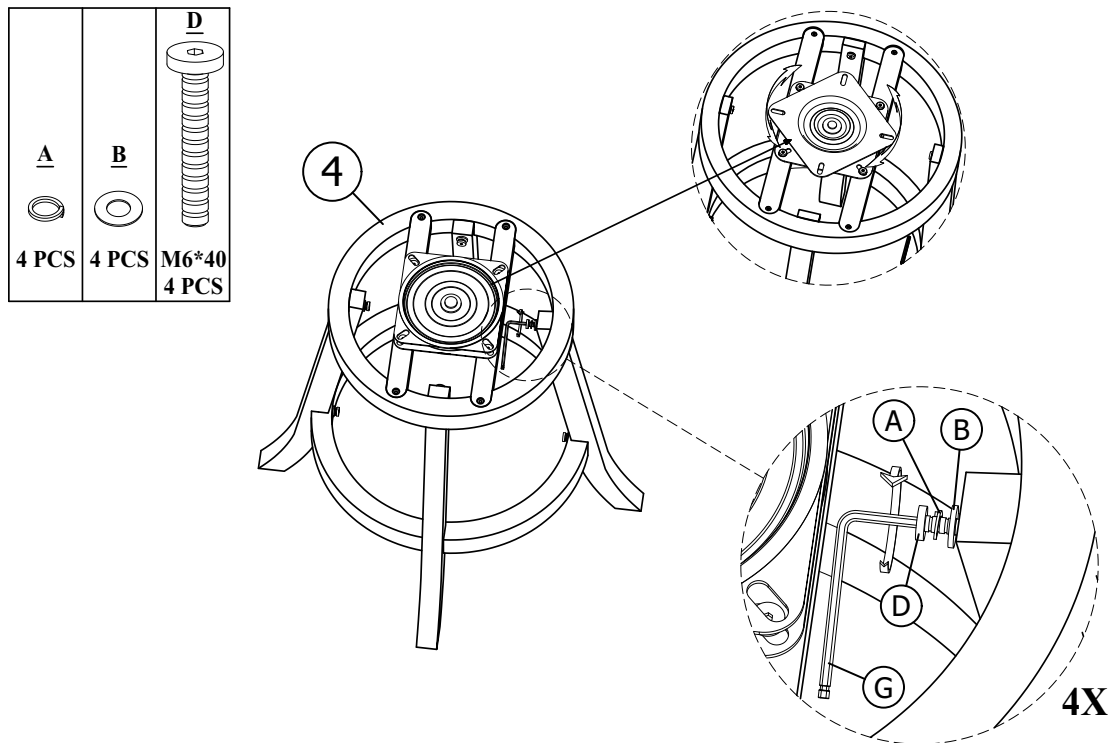
G
Allen Wrench
1 PC





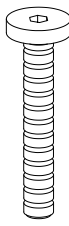
01

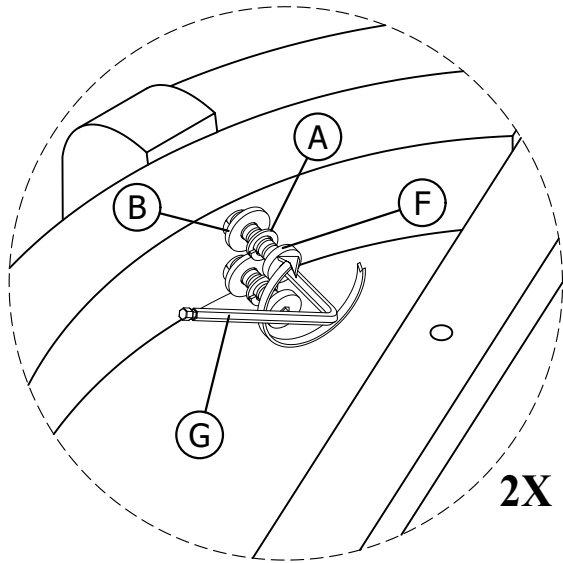
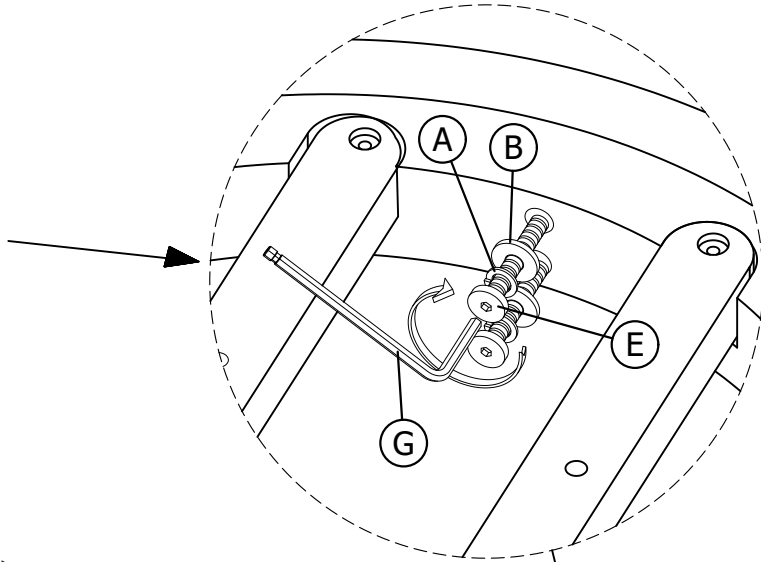




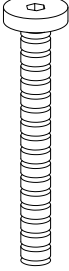
02

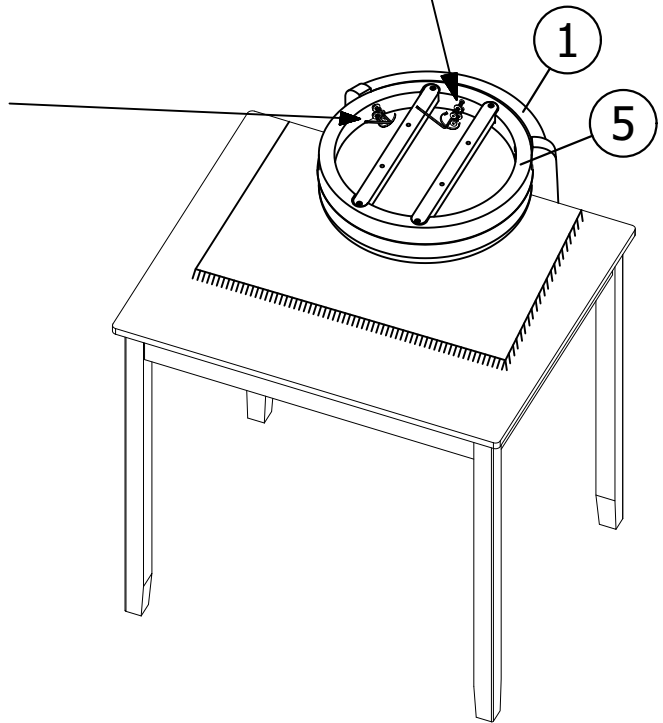


03

A	B	E
		
2 PCS	2 PCS	M6*45 2 PCS

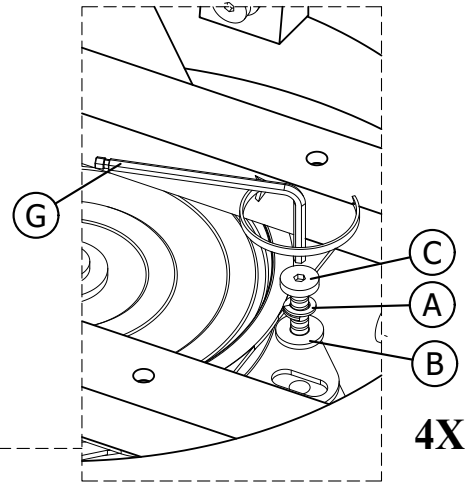
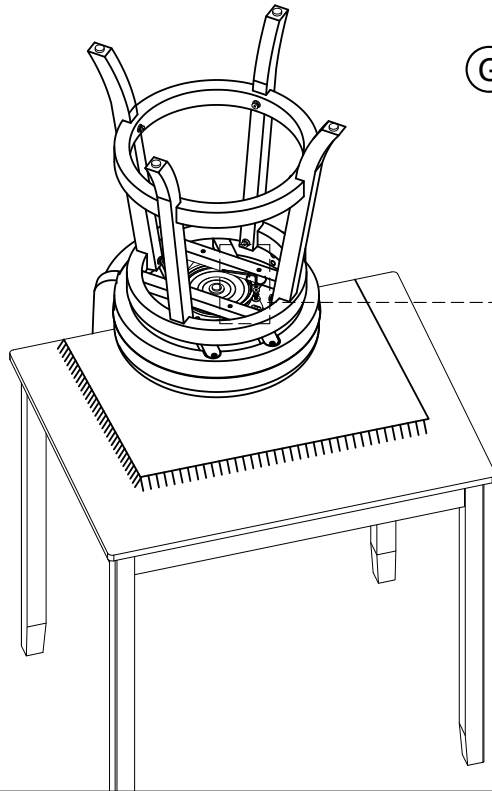
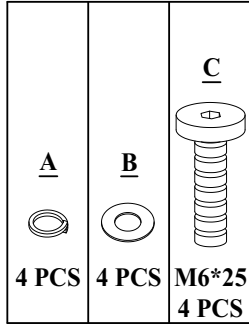


A	B	F
		
4 PCS	4 PCS	M6*50 4 PCS

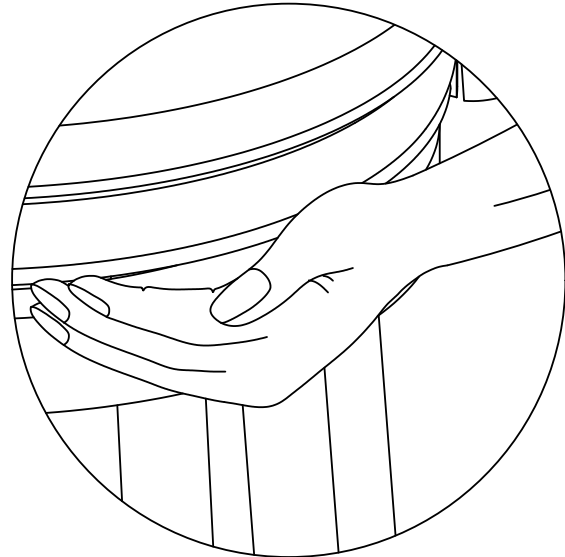
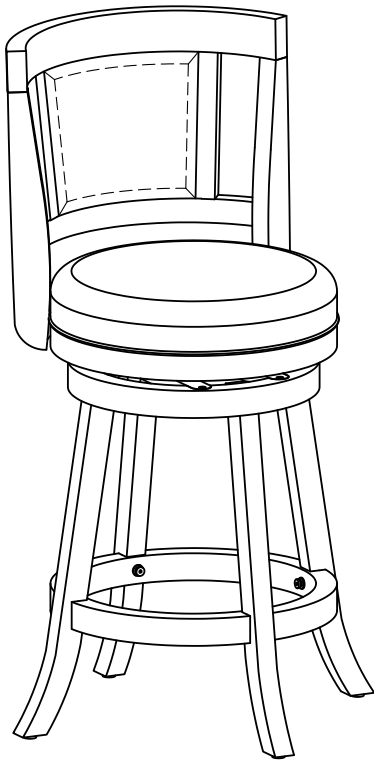


TIGHTEN BOLT COMPLETELY.

04



TIGHTEN BOLT COMPLETELY.



BE SURE TO CHECK ALL BOLTS ARE SECURELY TIGHTENED PRIOR USING THIS STOOL