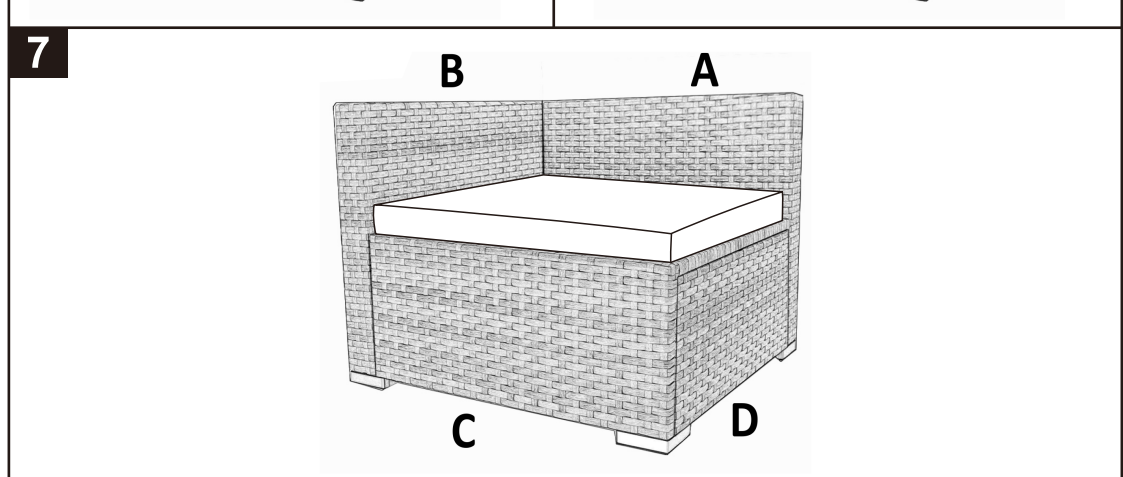
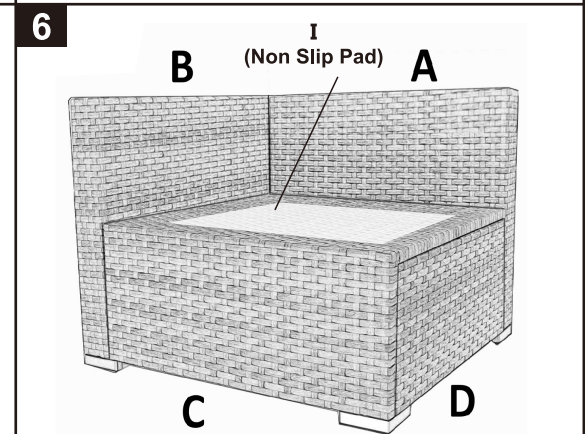
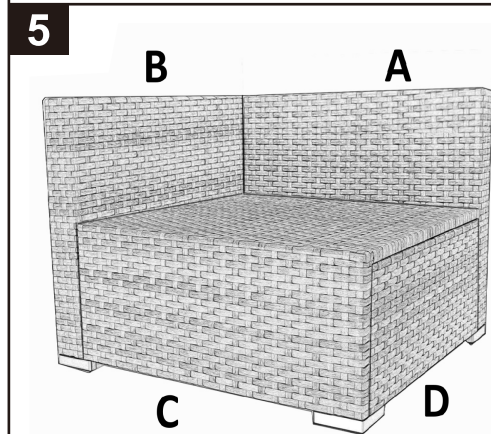
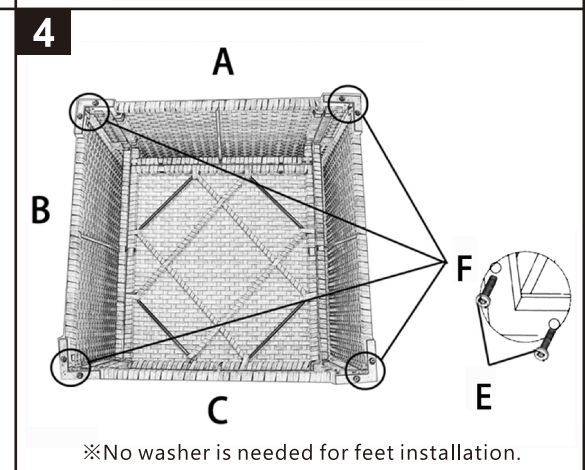
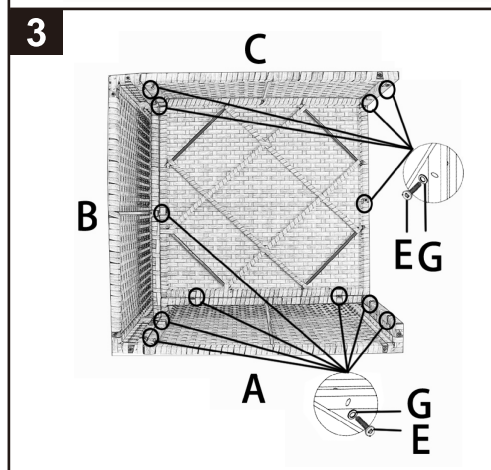
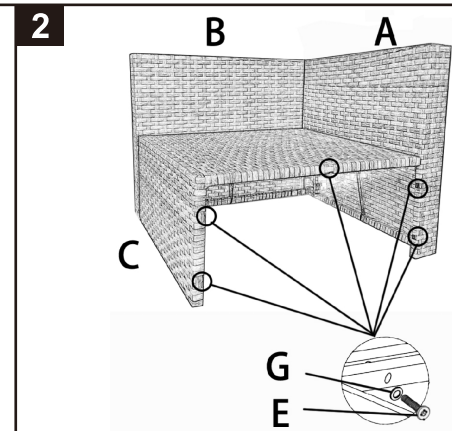
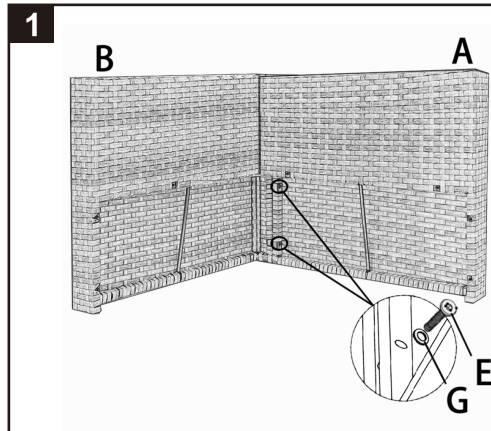


RIGHT-CORNER SOFA CHAIR

ASSEMBLY INSTRUCTION

※Please do not tighten bolts until all panels are connected.

	① 1PC backrest
	② 1PC armrest
	③ 1PC
	④ 1PC
1/4*35	⑤ 20PCS
	⑥ 4PCS
	⑦ 20PCS
	⑧ 1PC
	⑨ 1PC



C