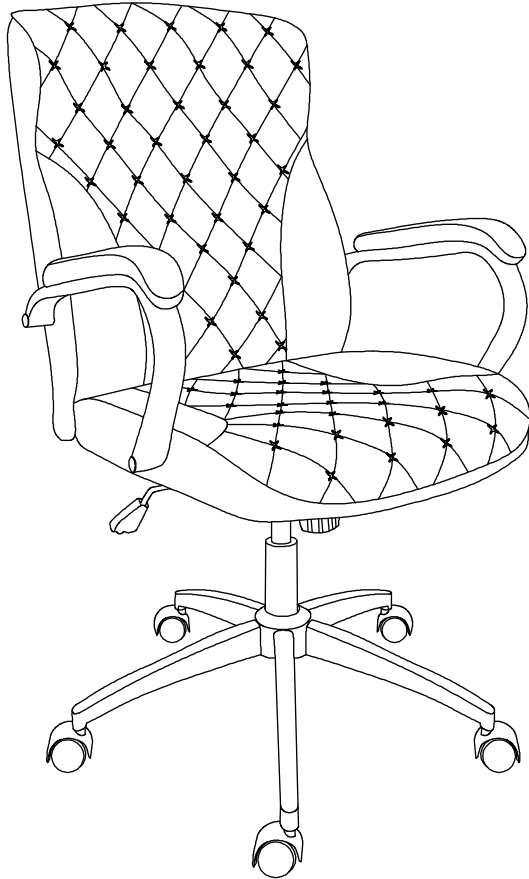


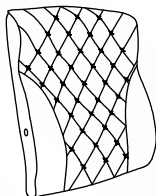
# Instructions



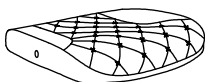
**High-Back Executive Swivel Office Chair**

# Accessories list

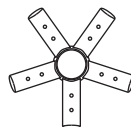
**A x1**



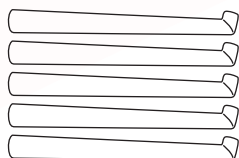
**B x1**



**C x1**



**D x5**



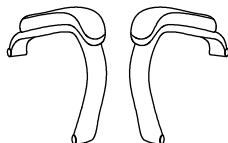
**E x1**



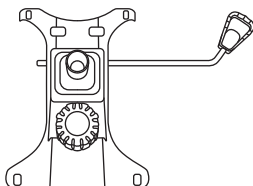
**F x5**



**G x2**



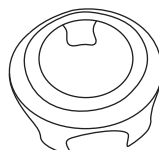
**H x1**



**O x4**



**K x1**



**L x5**



6x16 mm

**N x6**



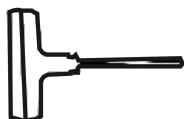
6x20 mm

**M x4**

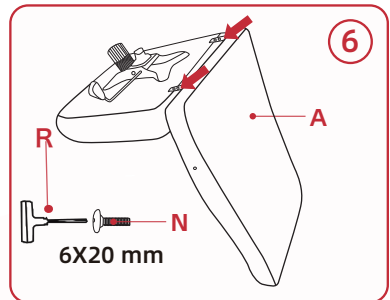
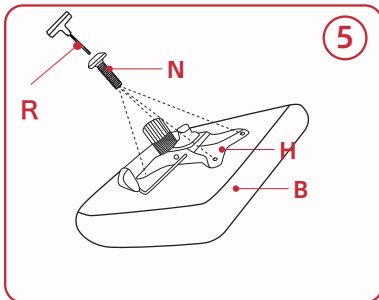
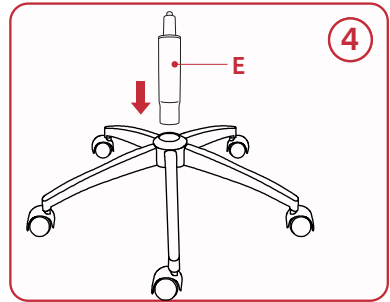
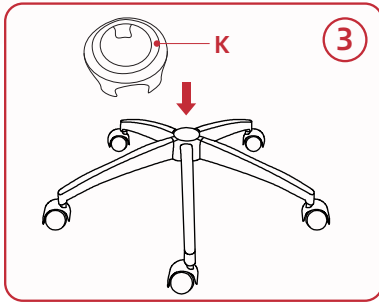
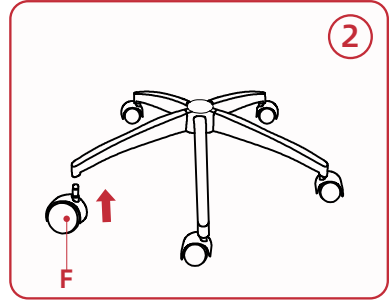
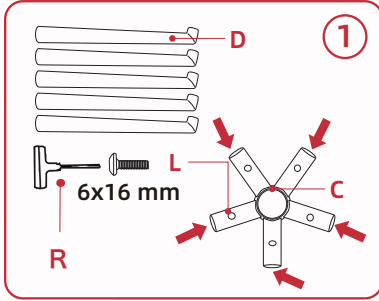


8x35 mm

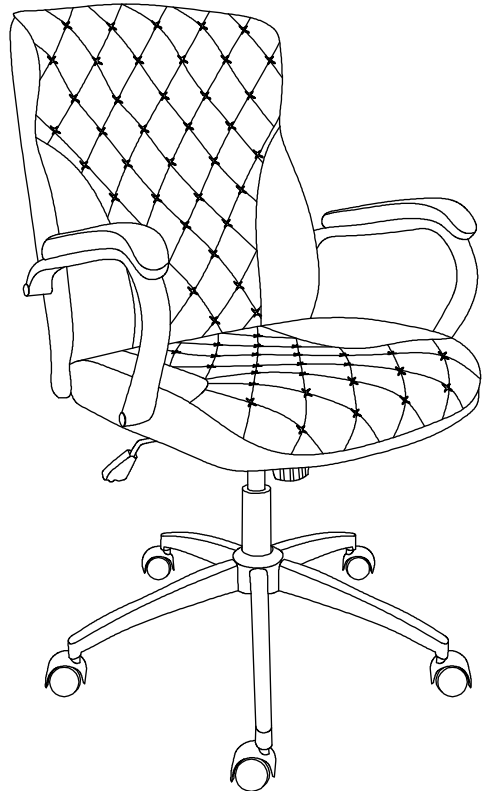
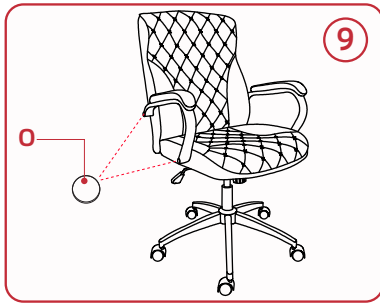
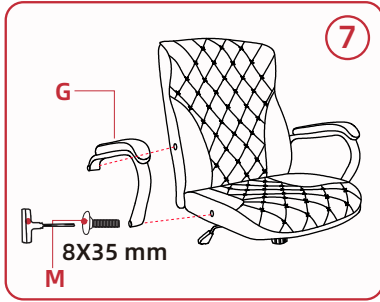
**R x1**



# Installation Steps



# Installation Steps



## Specification

### RECOMMENDED SIZE



Height:  
5ft5" -6ft5"



Weight:  
350lbs

---

### CONSTRUCTION AND MATERIAL

Material:	Leather
Style:	Modern
Foam Type:	High Density Sponge
Frame Construction:	Board
Hydraulic Gas Piston:	Class 3
Wheelbase:	Metal
Caster:	Nylon

---

### ADJUSTABILITY

Armrest Adjustable:	No
Multi-tilt Mechanism:	Tilt Lock, Tilt Angle Lock
Reclining Backrest:	No

---

### GENERAL INFO

Assembly Required:	Yes
Package Size:	32.67"(L) x 10.03" (W)x 20.47"(H)
Weight(Approximate):	35.38lbs

# After Sales & Safety Info.



A warranty claim is available for our chairs. Should you encounter any inquiries regarding product-related matters or logistical concerns, kindly reach out to our customer service team. They shall promptly respond to provide you with timely assistance.

## Warranty

1. Each office chair offered by our company includes a limited warranty, providing assurance that your choice is prudent and safeguards its value.
2. Should you have doubts about your office chair's qualification for limited warranty coverage, we encourage you to reach out to our customer service team for verification.
3. Please note that the warranty does not extend to incidents involving theft, loss, or disappearance of the chair.
4. Undertaking any form of maintenance or repairs on the chair will result in the nullification of the warranty.

## Safety Information

### Forbidden Behaviour

