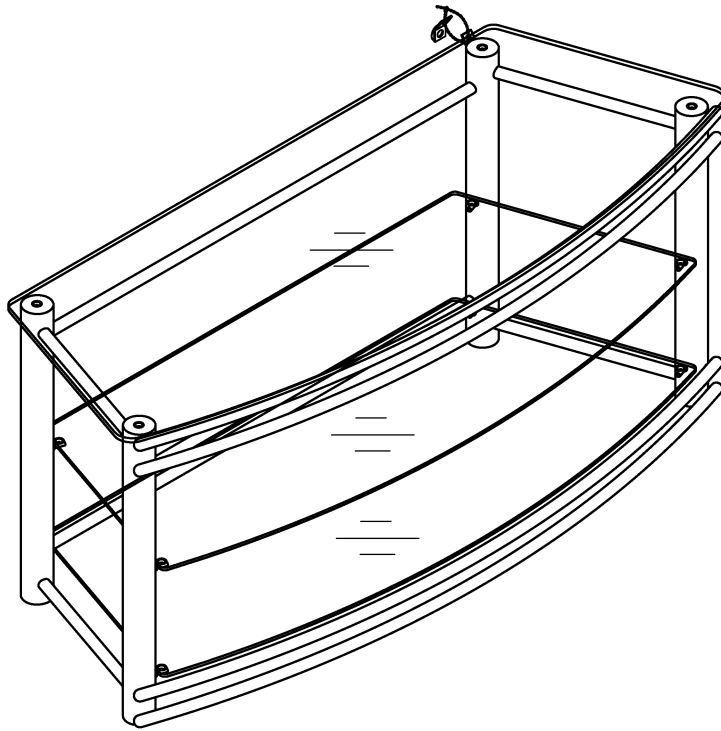
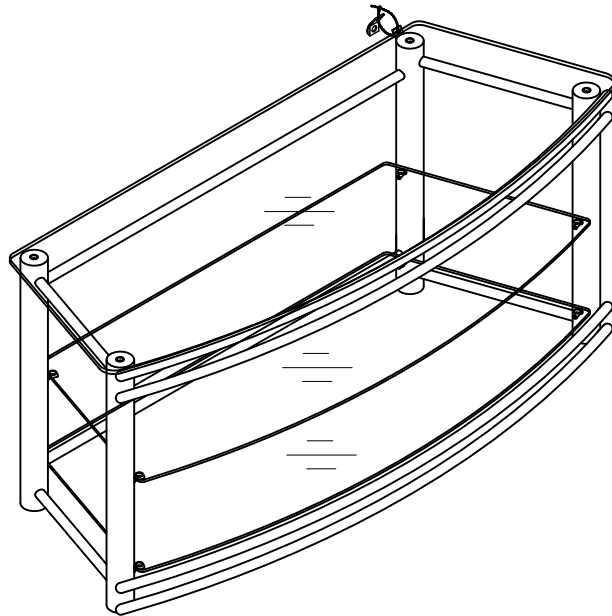


ASSEMBLY INSTRUCTION

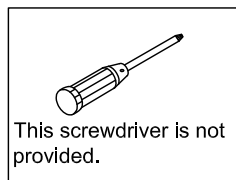


Do not tighten screws until completely assembled.

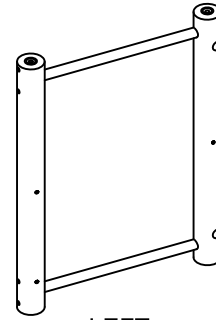
ASSEMBLY INSTRUCTIONS



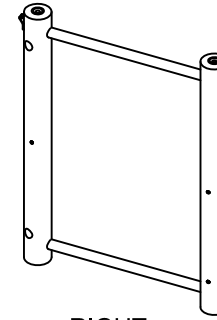
CAUTION:
DO NOT FULLY TIGHTEN
SCREWS UNTIL FULLY ASSEMBLED



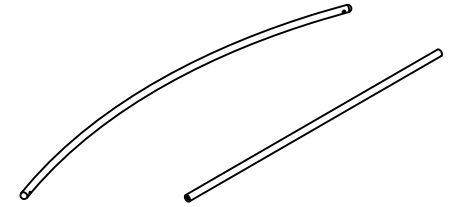
PARTS IDENTIFICATION



LEFT
(1) x 1pc

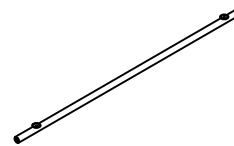


RIGHT
(2) x 1pc

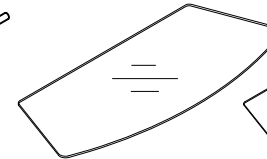


(3) x 4pcs

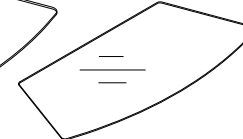
(4) x1pc



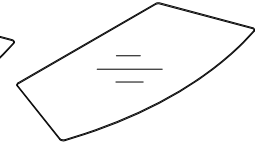
(5) x 1pc



TOP
(6) x 1pc





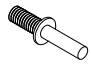


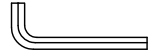



MIDDLE
(7) x 1pc

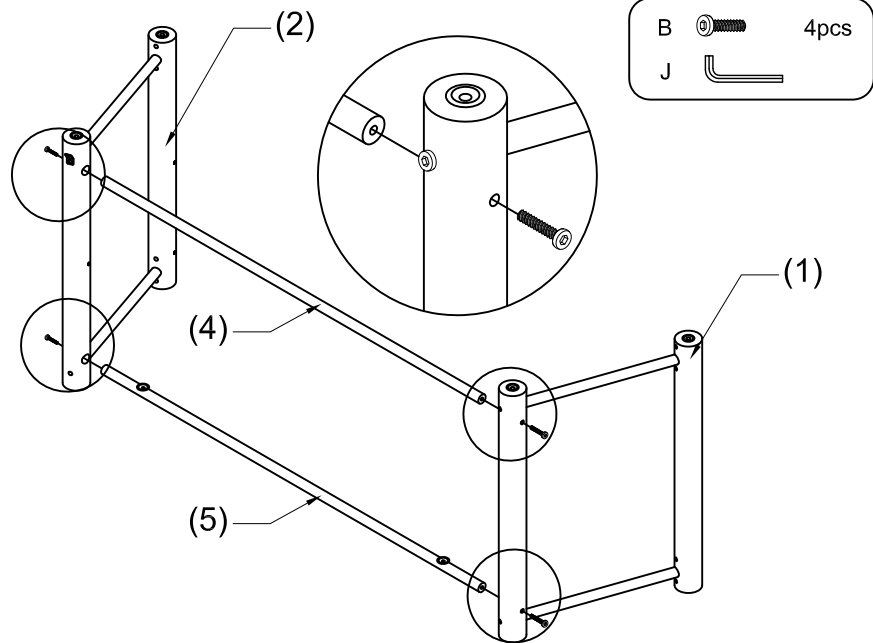


BOTTOM
(8) x 1pc

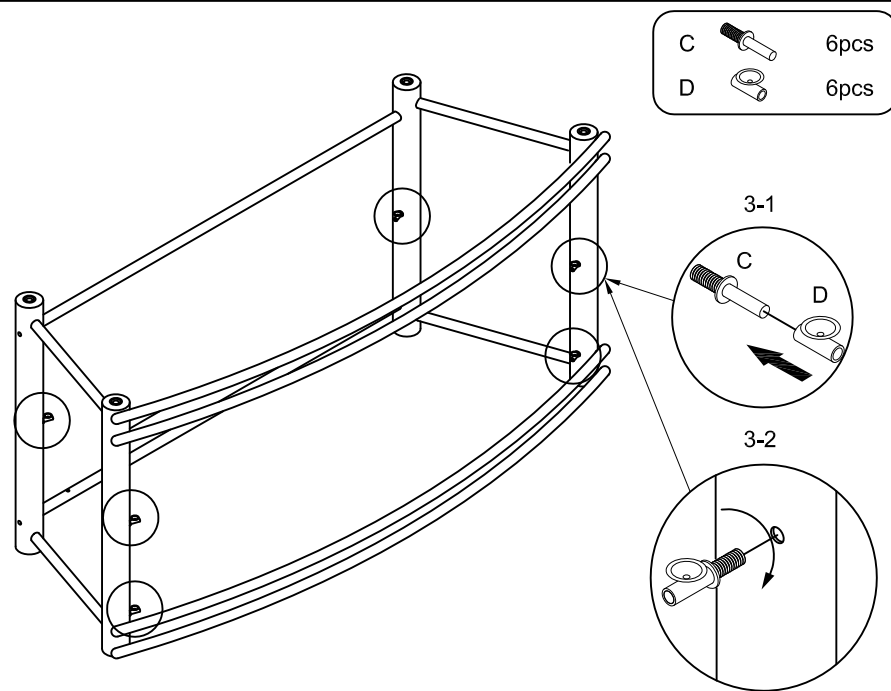
HARDWARE LIST

A		1/4"x2 1/2"	8pcs	F		1pc
B		1/4"x7/8"	4pcs	G		1pc
C			6pcs	H		M4x37mm 1pc
D			6pcs	J		4x4mm 1pc
E			1pc			

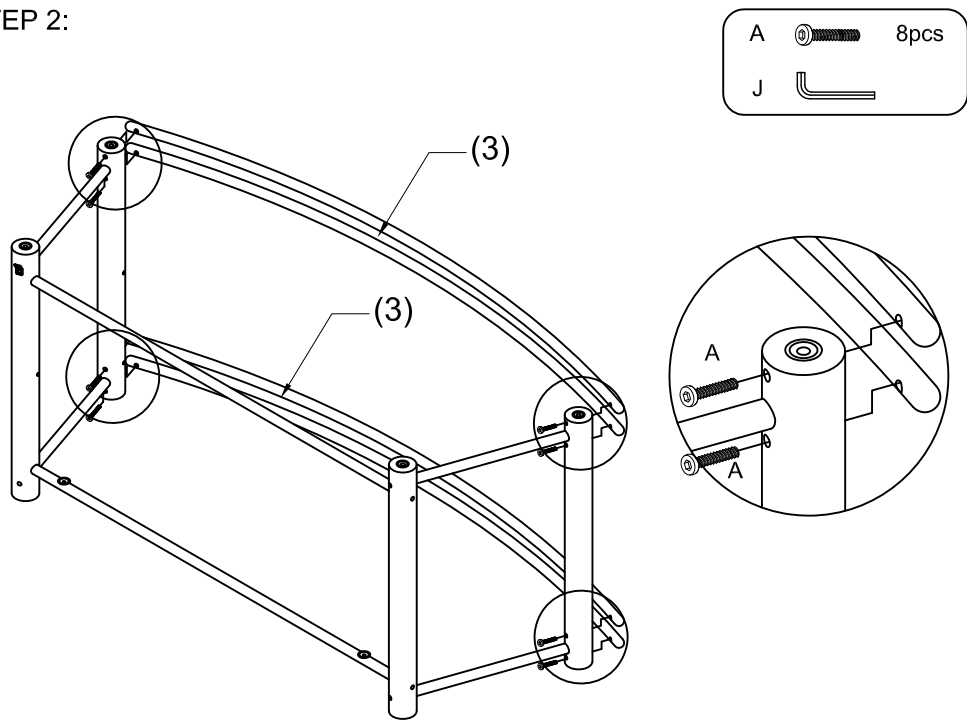
STEP 1:



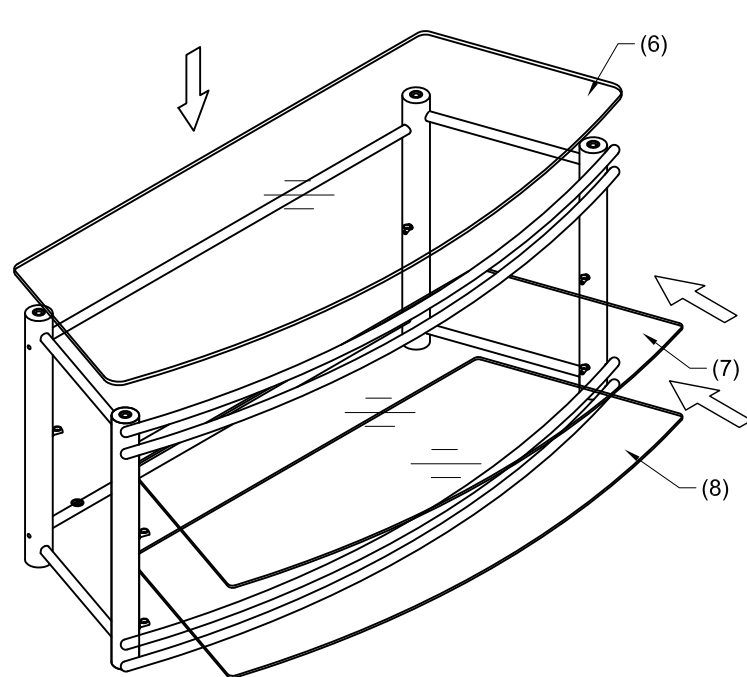
STEP 3:






STEP 2:

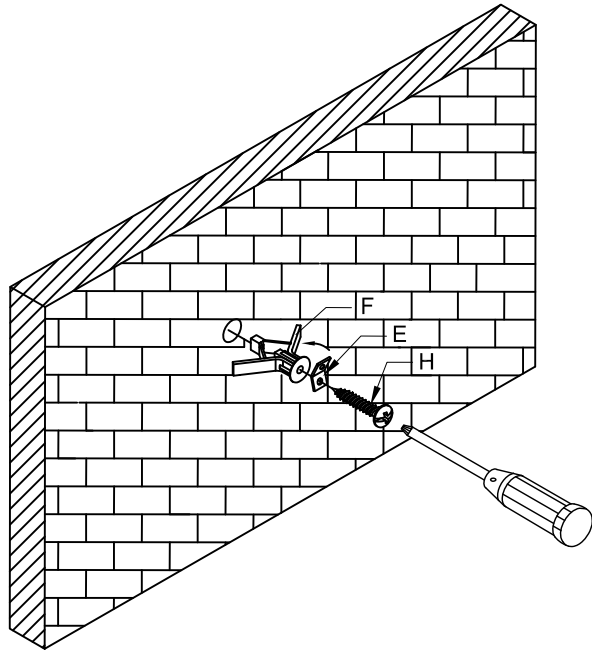


STEP 4:




STEP 5:

- | | | |
|---|---|-----|
| E |  | 1PC |
| F |  | 1PC |
| H |  | 1PC |



STEP 6:

- | | | |
|---|--|-----|
| G |  | 1pc |
|---|--|-----|

TO PREVENT TIP OVER
PRODUCT MUST BE
ATTACHED TO WALL

