

## NOTICE

- \*Please make sure that you have all parts indicated and they are in good condition before you begin assembly of this item. Refer to parts list and hardware list below for guidance.
- \*This item should be assembled on a soft surface to prevent scratching the finished goods during assembly.
- \*Do not fully tighten the bolts until the product is assembled.
- \*This item may require periodic tightening.

## PREPARATION

- \*Before beginning assembly of product, make sure all parts are present. Compare parts with part contents list and hardware contents list.
- \*If an part is missing or damaged, do not attempt to assemble the product.
- \*Estimated Assembly Time: 15 minutes.
- \*Tools Required for Assembly: Allen Key (included) and Philips head screwdriver (not included).

## CARE AND MAINTENANCE

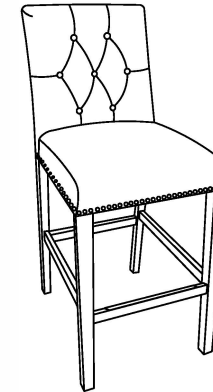
### WOOD CARE

Adhesive felt pads should always be applied to areas of furniture which make direct contact with flooring, said application will prevent damage to the furniture and or surfaces on which the furniture lies. Objects placed on articles of furniture should rest on non abrasive material as to prevent damage to the wood finish. Wipe up spills immediately and avoid common hazards such as hot dishes, harsh solvents and abrasives. Cleaning should be done with a soft lint free cotton cloth dampened with water or furniture polish.

### UPHOLSTERY CARE

To prevent overall soiling, frequent vacuuming or light brushing is recommended. Down-filled cushions should be brushed rather than vacuumed. Spot clean, using a mild water-free solvent or dry cleaning product. Only a professional cleaner should undertake a complete overall cleaning. The use of steam or water-based cleaners may cause excessive shrinking or staining.

Product Dimensions: 19"W\*23-1/4"D\*40"H



**Weight capacity: 275lbs**

**WARNING: DO NOT STAND ON THE PRODUCT**

**WARNING: DO NOT OVER TORQUE BOLTS**

## Part List and Hardware List

PIECE	DESCRIPTION	PICTURE	QUANTITY	PIECE	DESCRIPTION	PICTURE	QUANTITY
A	Chair Back		1 X	HW1	Hex Bolt	5/16"-18 x 2"	5 X
B	Seat Cushion		1 X	HW2	Hex Bolt	5/16"-18 x 3-1/2"	4 X
C	Front Leg-1		1 X	HW3	Wrench	12mm	1 X
D	Front Leg-2		1 X	HW4	Wood Screw	Ø4 x 57mm	6 X
E	Side Stretcher-1		1 X				
F	Side Stretcher-2		1 X				
G	Front Stretcher		1 X				

## PREPARATION

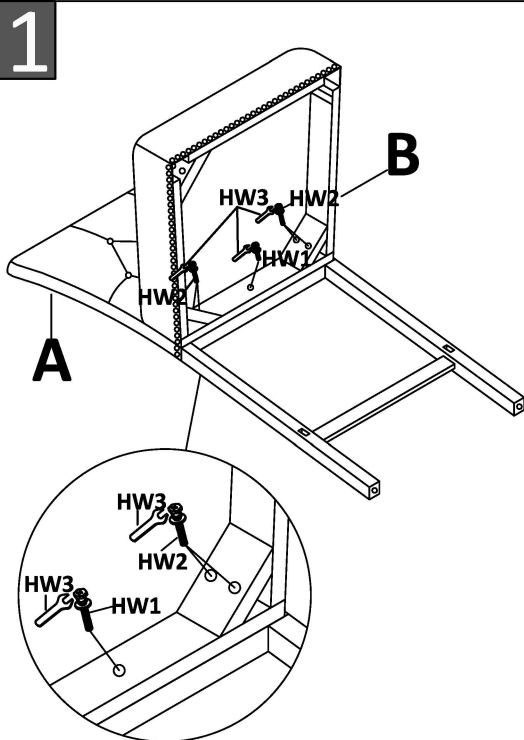
\*Before beginning assembly of product, make sure all parts are present. Compare parts with part contents list and hardware contents list.

\*If any part is missing or damaged, do not attempt to assemble the product.

\*Estimated Assembly Time: 15 minutes.

\*Tools Required for Assembly: Allen Key (included) and Philips head screwdriver (not included).

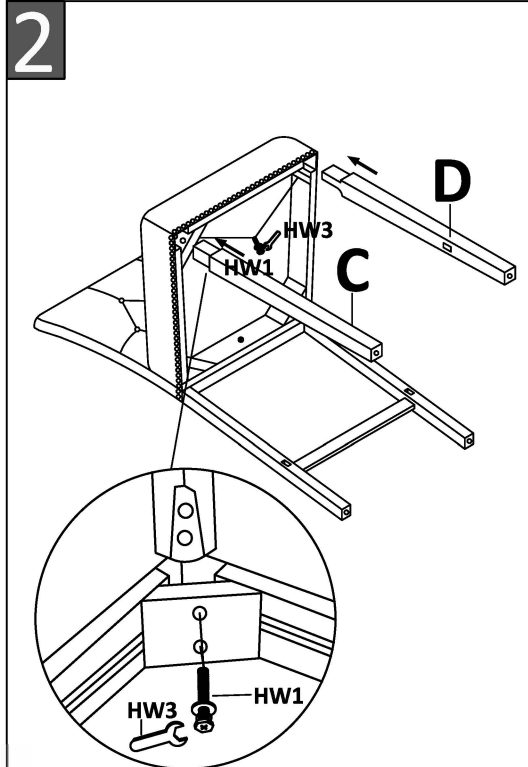
\*If you are having difficulty, our friendly Customer Care team is always here to help. Please email [customersupport@safavieh.com](mailto:customersupport@safavieh.com)



\*\*\*NOTE : Please be sure to use the correct bolts to avoid damage to the product.

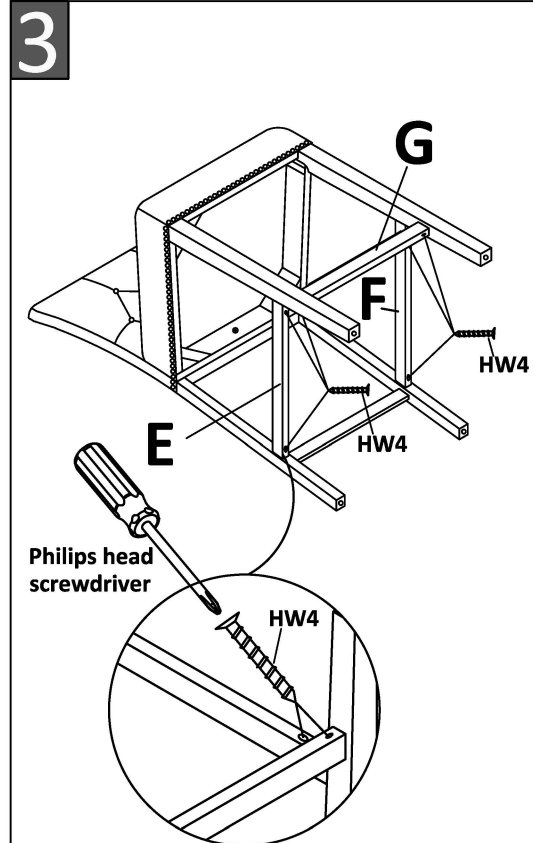
### Step 1:

Assemble Seat Cushion (B) with Chair Back (A), Using Wrench (HW3) to lock with 5\*Hex Bolts (1\*HW1 & 4\*HW2).



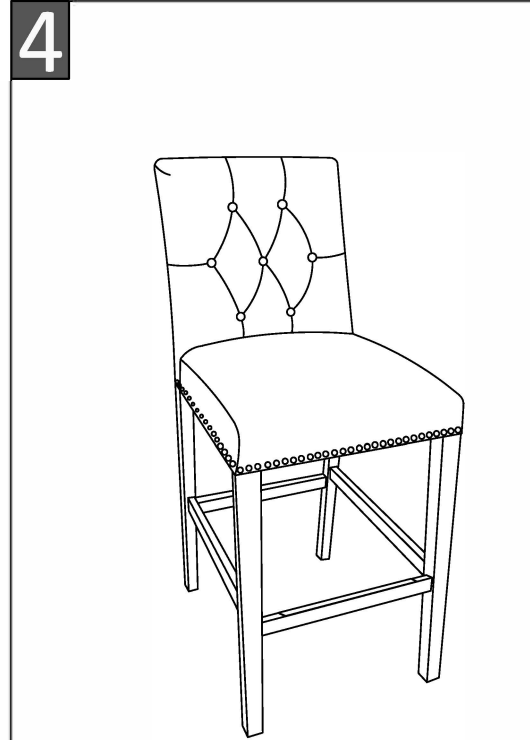
### Step 2:

Assemble 2\*Front leg-1 / 2 (C & D) with Seat Cushion (B), Using Wrench (HW3) to lock with 4\*Hex Bolts (HW1).



### Step 3:

Assemble 3\*Stretchers (1\*E, 1\*F & 1\*G) to the corresponding position with Front Legs and Back Legs. Use Philips head screwdriver (tool is not included) to lock the 3\*Stretchers tight with legs by using 6\*Wood screws (HW4).



### Step 4:

Straighten up the assembled product. Assembly is completed.