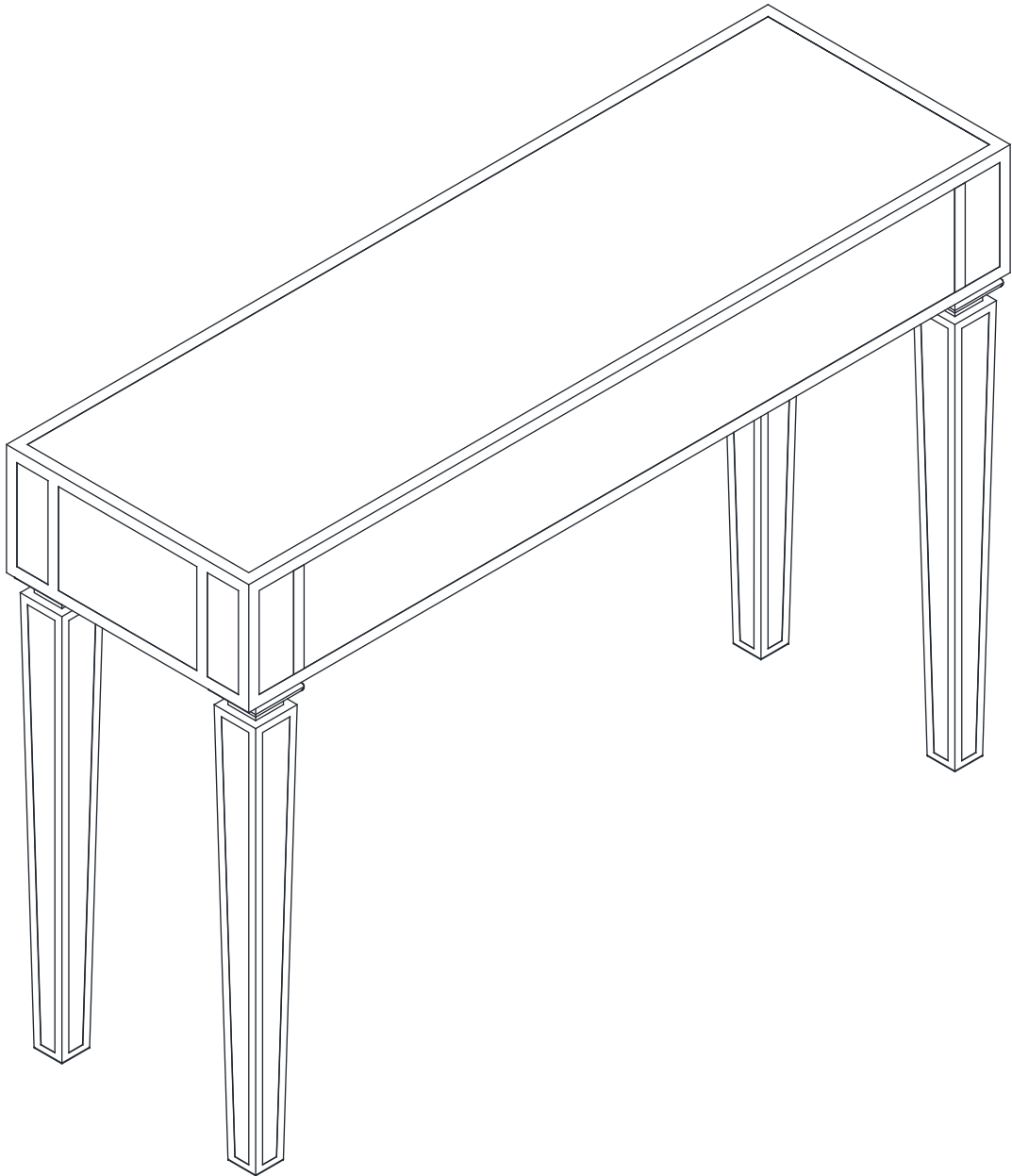
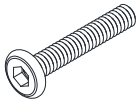




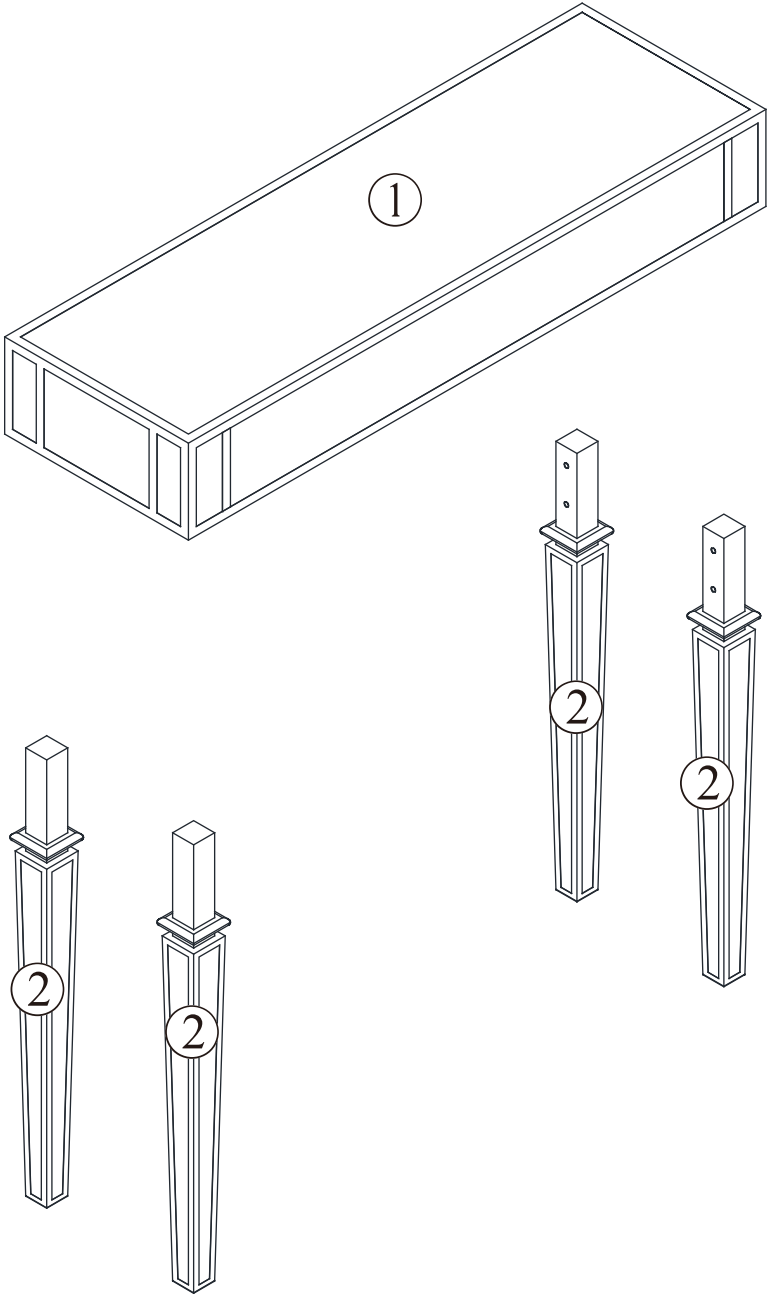
# Installation Instruction



# Hardware Pack

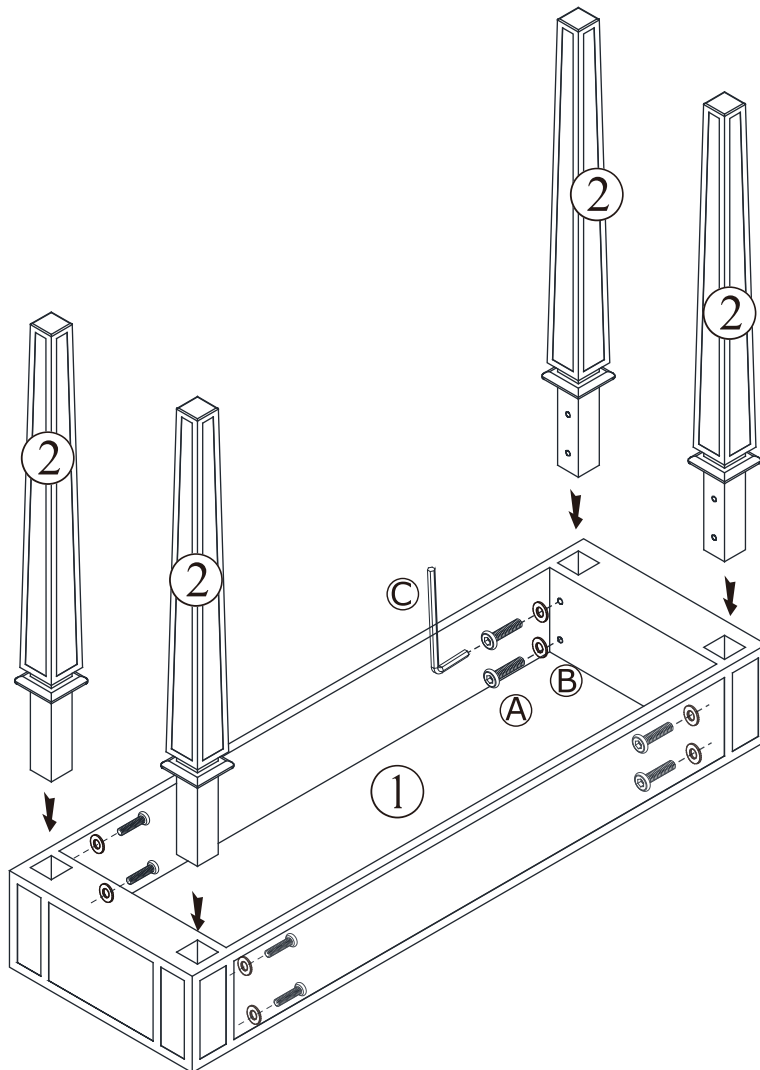
|  |   |   |
|--|---|---|
| <p>(A) <br/>8*30mm Bolt x 8</p> | <p>(B) <br/>Metal washer x 8</p> | <p>(C) <br/>Allen key x 1</p> |
|--|---|---|

# Accessories list

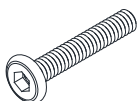


## Step 1

Note: The 2 screws on one leg need to be put into the holes together and then tightened at the same time.

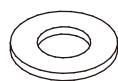


(A)



8\*30mm Bolt x 8

(B)



Metal washer x 8

(C)



Allen key x 1