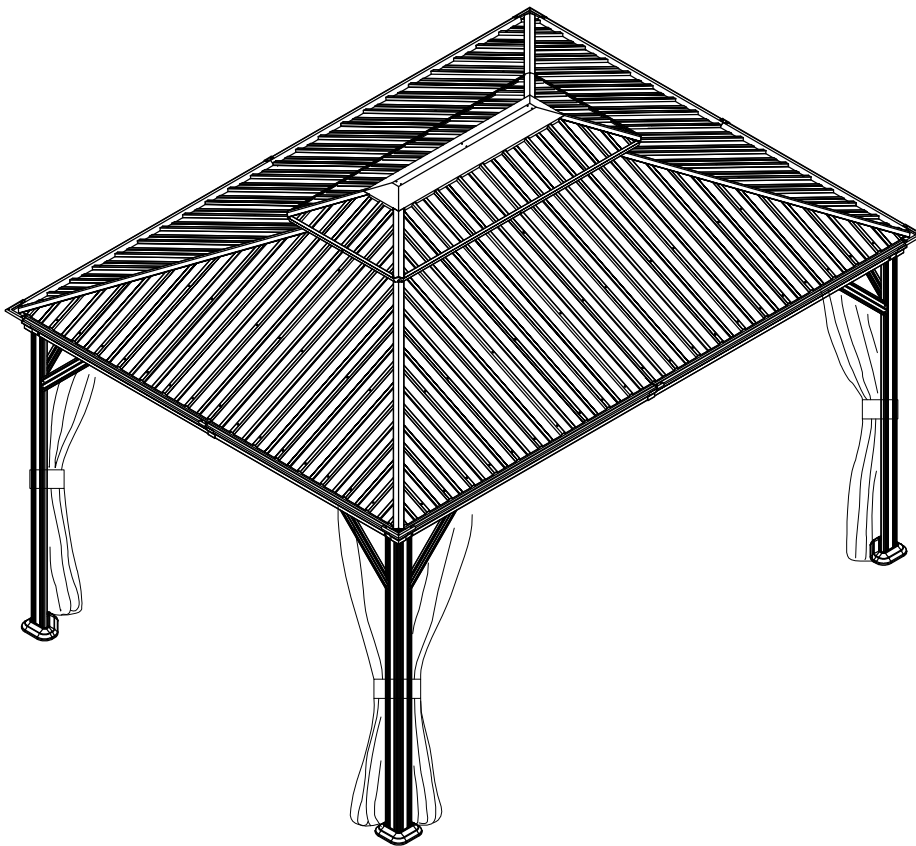




10'x13' Metal Patio Gazebo

ASSEMBLY MANUAL



MODEL#:LGMF1734

Missing part? Damaged? Contact us via email at

service@domioutdoorliving.com

www.domioutdoorliving.com

Pre-assembly



1. Two or more people are required for assembly.



2. You will need one or more stepladders.



3. Wearing protective gloves is recommended.



4. You may need a safety hat.



5. Please use a Phillips screw driver.



6. For ease of construction, you may need a drill.



7. You may need a safety goggle.



8. Do not fully tighten screws prior to complete assembly.

Warning & Attention

-Try to assemble this product on the flat ground, otherwise it is difficult to carry out;

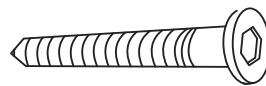
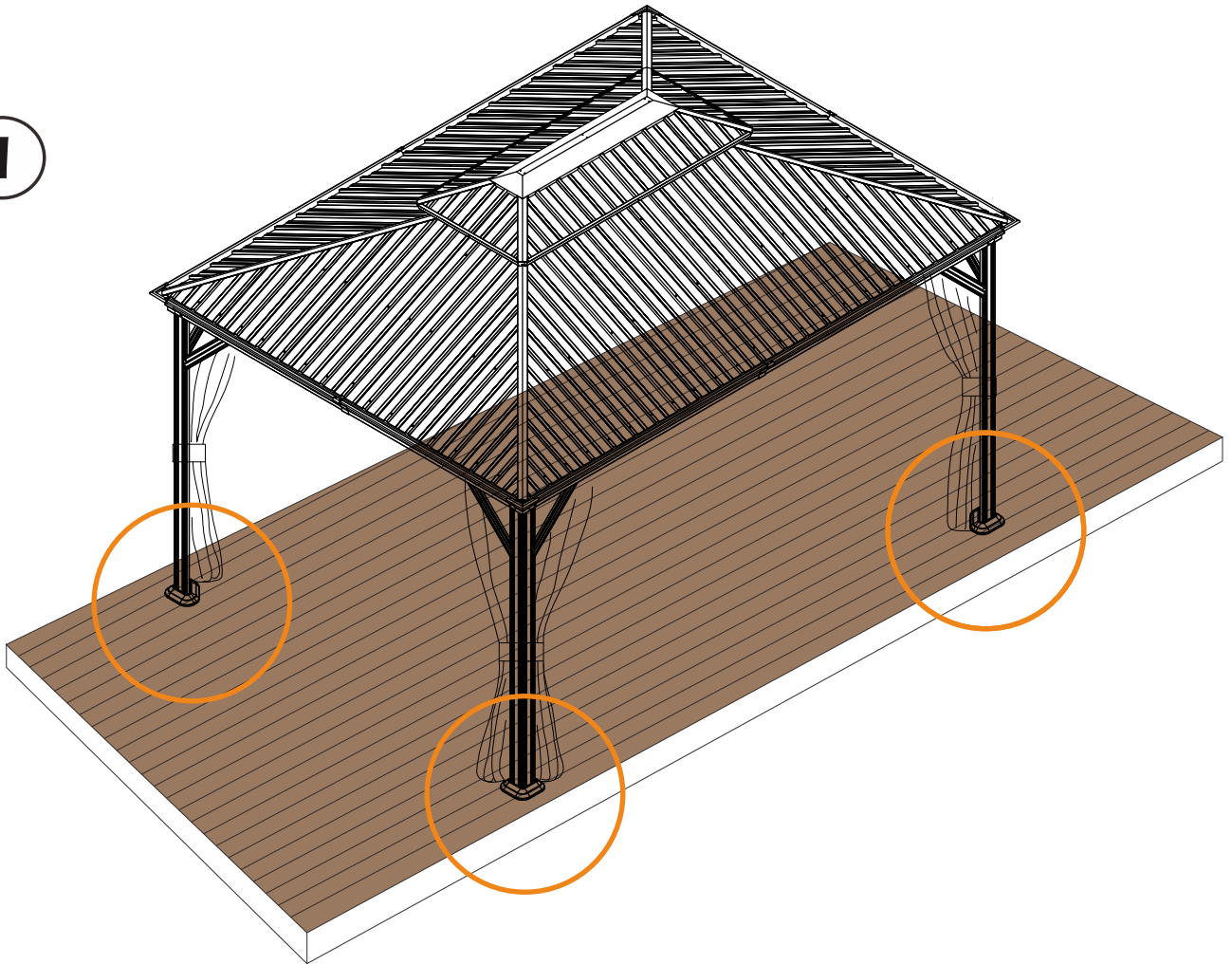
-It would be much easier to assemble the product with three or more people;

-After assembly, please check whether all screws are tightened, to prevent parts from falling apart.

▲ Use bolts to secure the frame to the ground to against the strong wind.

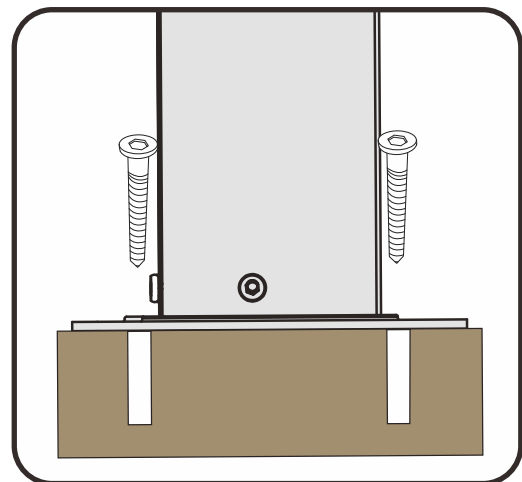
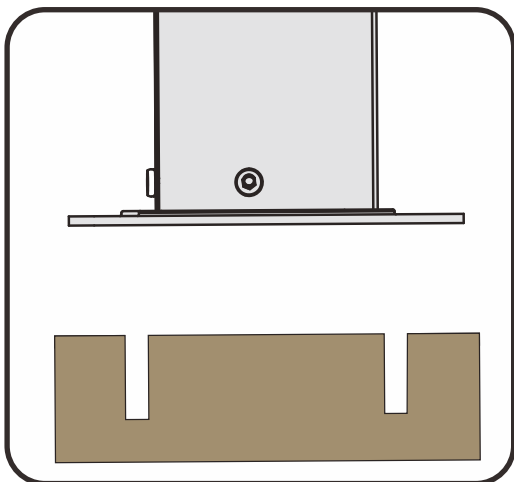
IMPORTANT: A gaze may entail to purchase a municipal permit or be subject to specific building codes. It is the consumer's responsibility to inform themselves of any restrictions.

1

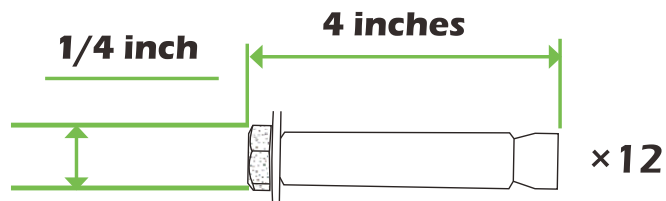
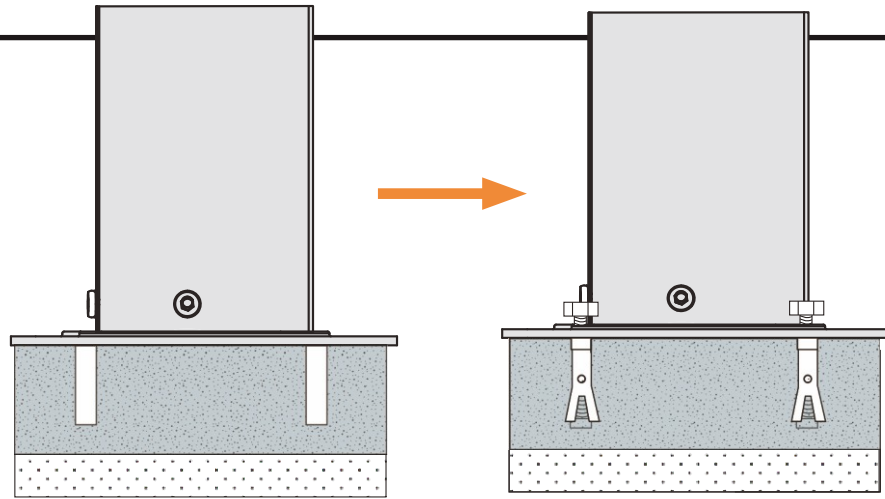


×12

If the deck is hard wood and the depth of it is over 3 inch, you can use **5/16 in. ×4 in. Structural Wood Screw** to mount the gazebo.

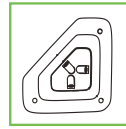
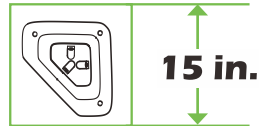
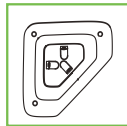


2



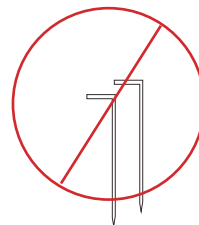
If the ground is concreted and the depth of it is over 3 inch, you can use 1/4 inch expansion bolts to mount the gazebo

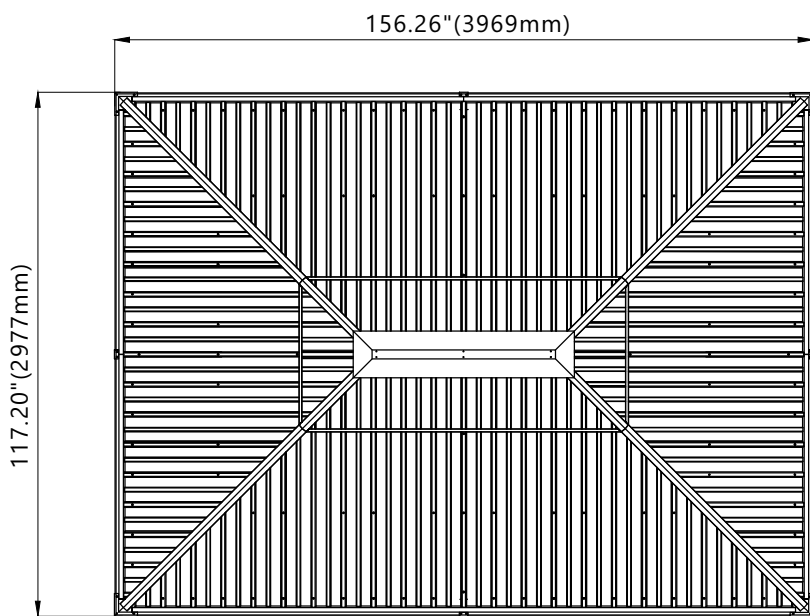
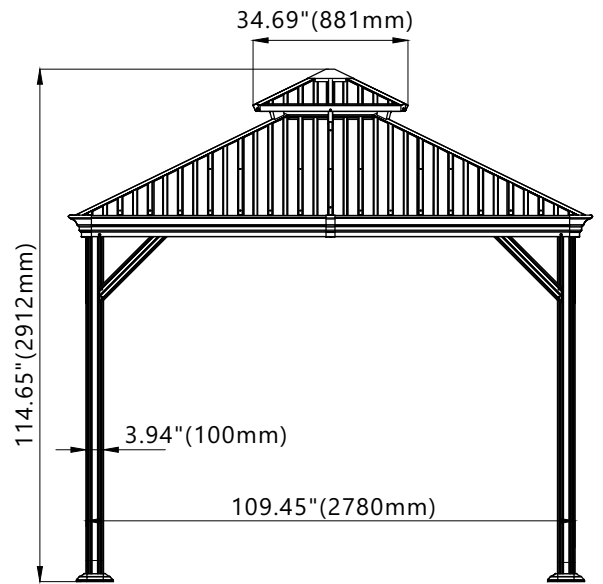
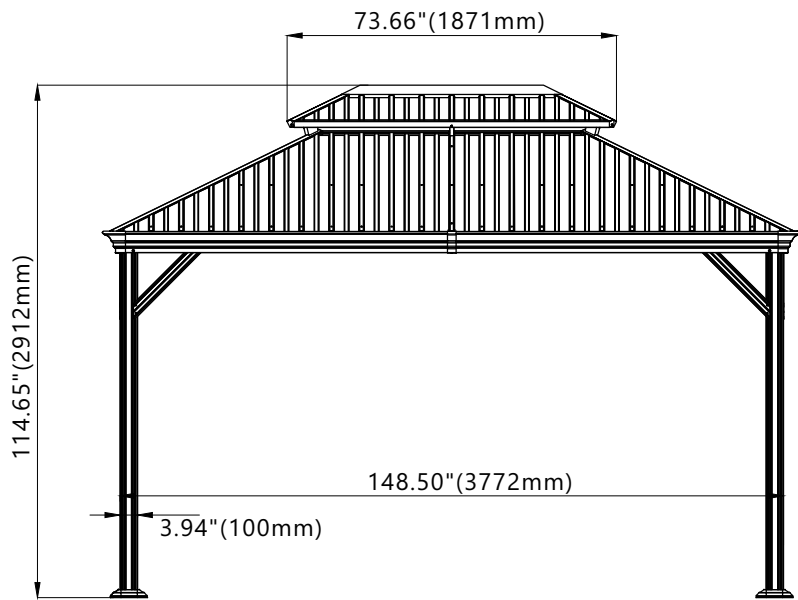
3

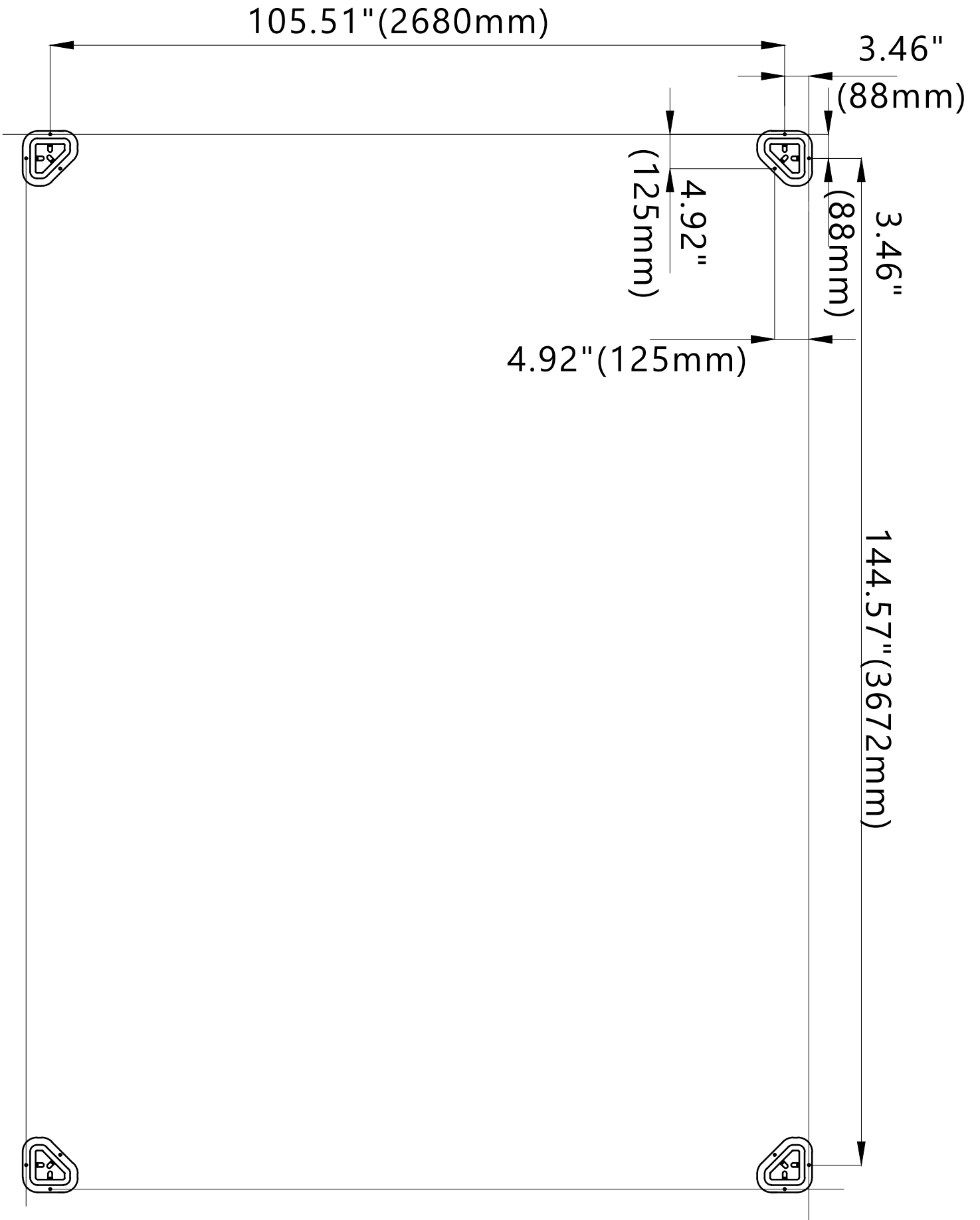


Or you can make a concrete footing for gazebo, **15×15×15 inches** is recommended. use expansion bolts to mount the pergola like ② shows.

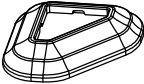
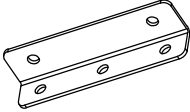
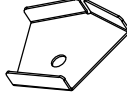

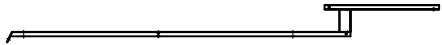
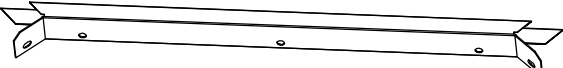
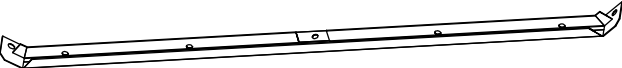
IMPORTANT:
Anchor is not recommended

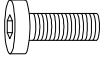
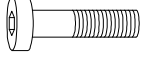
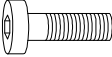
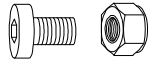
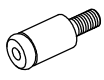
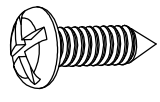
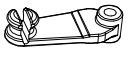
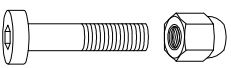
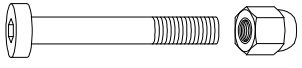
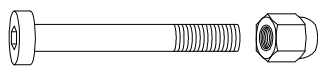
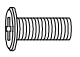
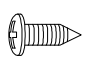




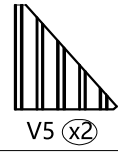
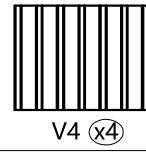


 <p>Pole 2080 MM A (x4)</p>	 <p>Outside Roof Cover D (x1)</p>
 <p>Beam 1886 MM B (x2)</p>	 <p>Inside Roof Cover D1 (x1)</p>
 <p>Beam 1886 MM B1 (x2)</p>	 <p>Union Bar 600 MM E (x4)</p>
 <p>Beam 1390MM B2 (x2)</p>	 <p>Corner Cover F (x4)</p>
 <p>Beam 1390 MM B3 (x2)</p>	 <p>Joint Cover G (x4)</p>
 <p>Track 1754 MM C (x2)</p>	 <p>Silicone Sealant H (x1)</p>
 <p>Track 1754MM C1 (x2)</p>	 <p>Corner Solidifying Bar J1 (x4)</p>
 <p>Track 1258MM C2 (x2)</p>	 <p>Corner Solidifying Bar J2 (x4)</p>
 <p>Track 1258MM C3 (x2)</p>	 <p>Base K (x4)</p>

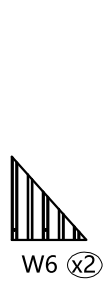
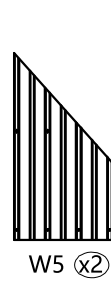
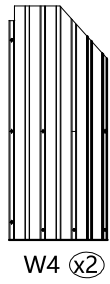
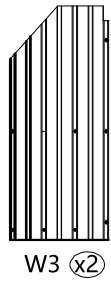
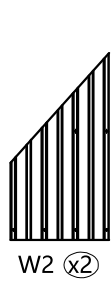
 <p>Base Cover</p> <p>K1 (x4)</p>	 <p>Small Mesh</p> <p>P (x1)</p>
 <p>Bracket</p> <p>K2 (x8)</p>	 <p>Finishing End</p> <p>Q (x8)</p>
 <p>Corner Roof Tube Connector</p> <p>L (x4)</p>	 <p>Hooks</p> <p>R1 (x3)</p>
 <p>Corner Roof Tube</p> <p>L1 (x4)</p>	 <p>Rubber Spacer</p> <p>S (x12)</p>
 <p>Roof Bar</p> <p>M (x4)</p>	 <p>Solidifying Bar</p> <p>U1 (x4)</p>
 <p>Finishing Bar</p> <p>N (x2)</p>	 <p>Solidifying Bar</p> <p>U2 (x4)</p>
 <p>Finishing Bar</p> <p>N1 (x2)</p>	 <p>Bracket</p> <p>U3 (x4)</p>
 <p>Finishing Bar</p> <p>O1 (x2)</p>	 <p>Bracket</p> <p>U4 (x4)</p>
 <p>Finishing Bar</p> <p>O2 (x2)</p>	

 <p>M6x16</p> <p>1# x184</p>	 <p>M6x25</p> <p>10# x4</p>
 <p>M6x20</p> <p>2# x24</p>	 <p>M6x12</p> <p>11# x12</p>
 <p>3# x16</p>	 <p>ST6.3*18</p> <p>12# x12</p>
 <p>Plastic Hooks</p> <p>4# x112</p>	
 <p>M6x28</p> <p>5# x68</p>	
 <p>M6x45</p> <p>6# x8</p>	
 <p>M6x50</p> <p>7# x32</p>	
 <p>M5x16</p> <p>8# x4</p>	
 <p>ST4.8x13</p> <p>9# x24</p>	

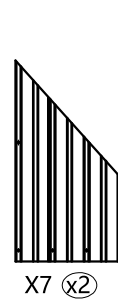
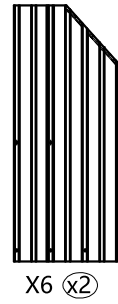
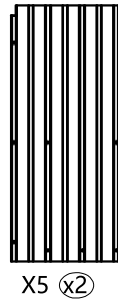
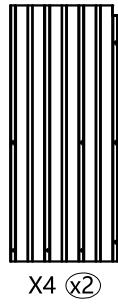
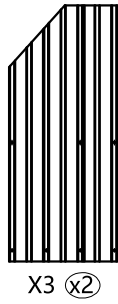
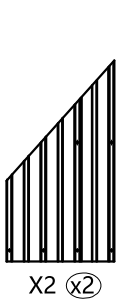
Roof Panels



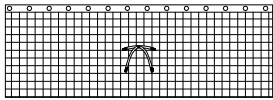
Roof Panels



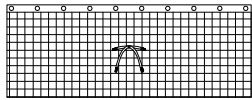
Roof Panels



Y1 (x2)



Y2 (x2)

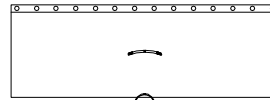


Yb (x4)



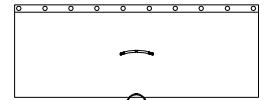
Strap

Y1a (x2)



Curtain

Y2a (x2)



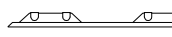
Curtain

Plastic Clips

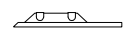
Z (x56)



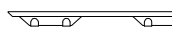
Z1 (x4)



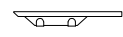
Z3 (x4)



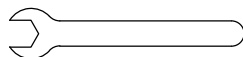
Z2 (x4)



Z4 (x4)

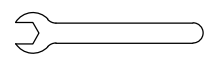


x1



Wrench

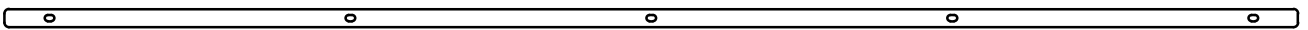
x1



x1

Plastic Bar

Pa (x2)

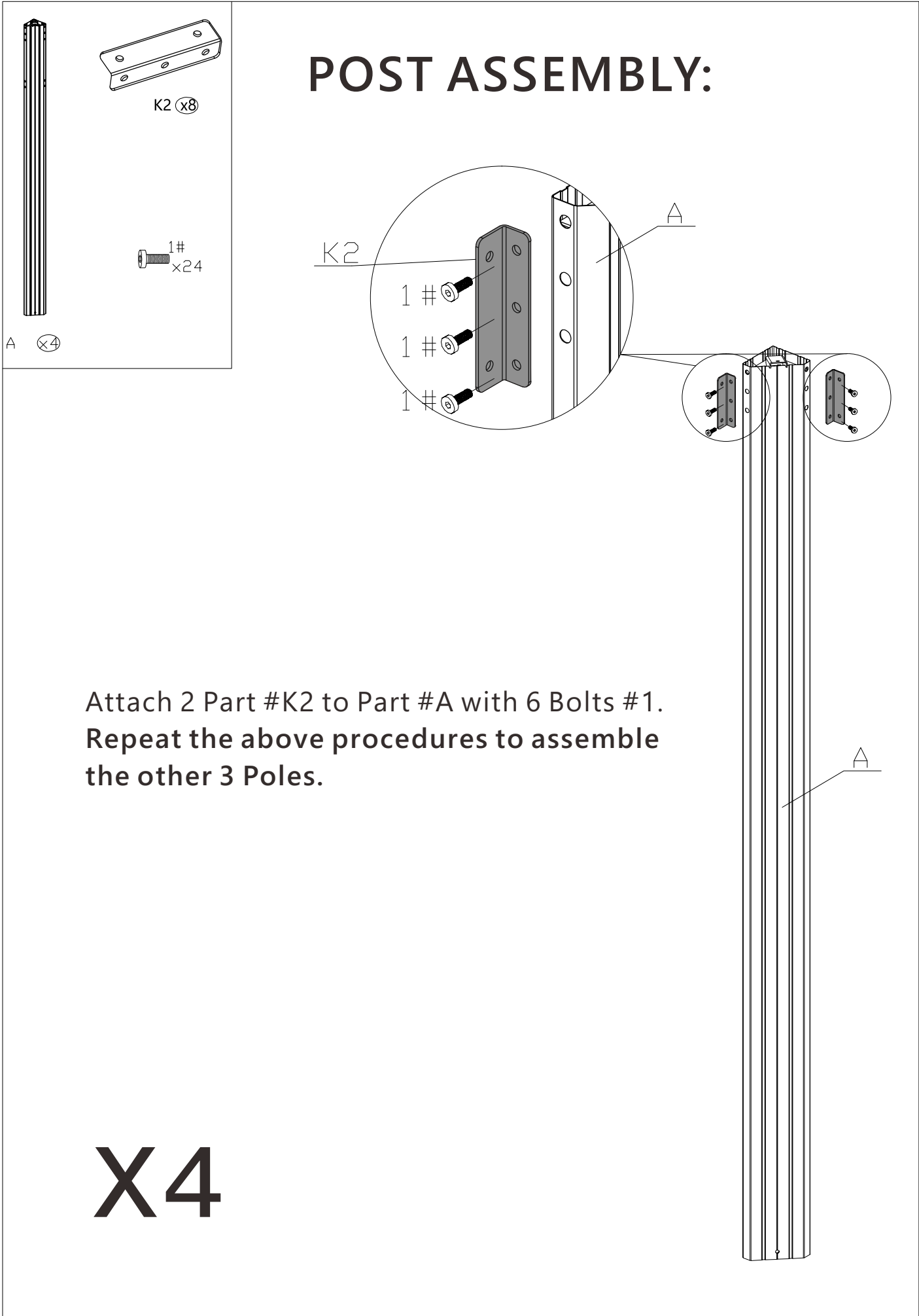


Plastic Bar

Pb (x2)



POST ASSEMBLY:



Attach 2 Part #K2 to Part #A with 6 Bolts #1.
Repeat the above procedures to assemble
the other 3 Poles.

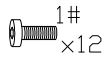
X4



K (x4)



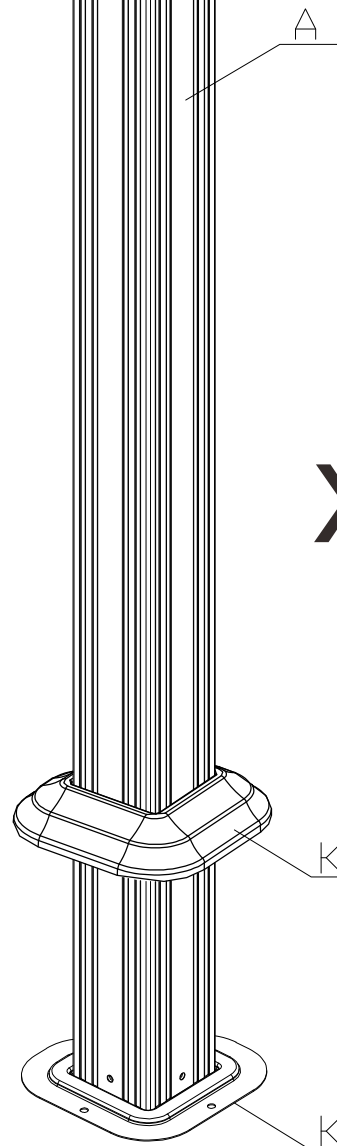
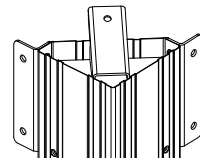
K1 (x4)



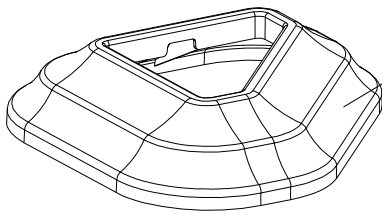
1#
x12

(1) Put on Base Cover #K1 first ;

(2) Attach Base #K to Pole #A with 3 Bolts #1.



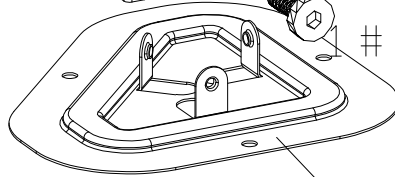
(1)



K1

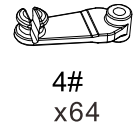
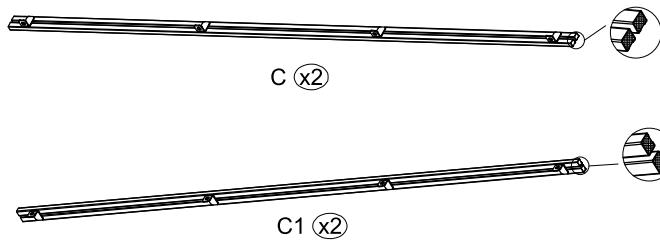


A



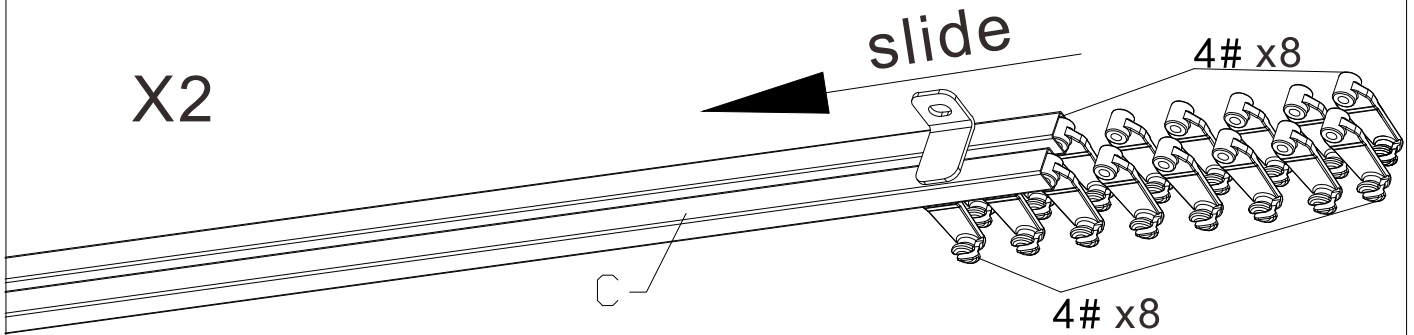
K

(2)



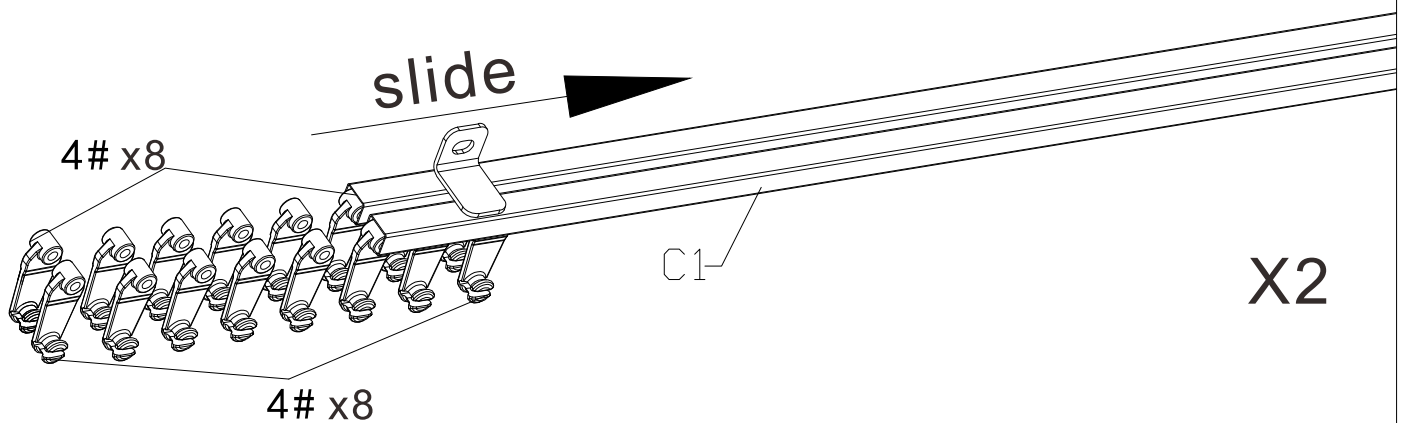
(1) Slide the Plastic Hooks #4 to the double-rail track #C (each slot should slide 8 plastic hooks).

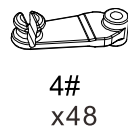
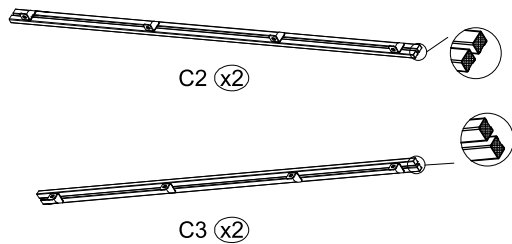
(2) Repeat the above procedures for the another track C.



(1) Slide the Plastic Hooks #4 to the double-rail track #C1 (each slot should slide 8 plastic hooks).

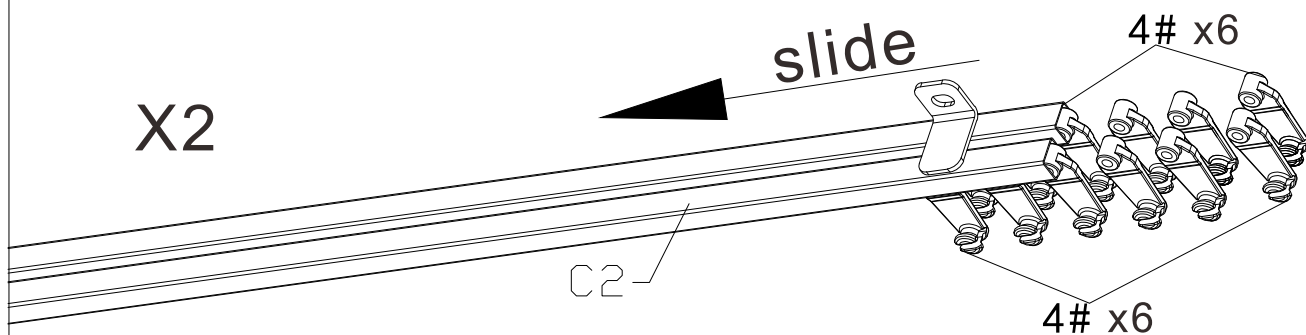
(2) Repeat the above procedures for the another track C1.





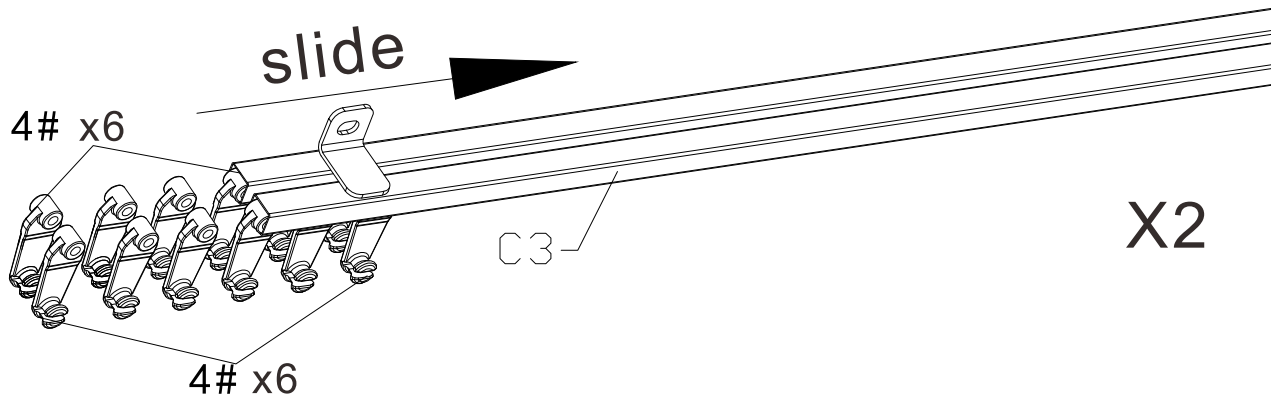
(1) Slide the Plastic Hooks #4 to the double-rail track #C2 (each slot should slide 6 plastic hooks).

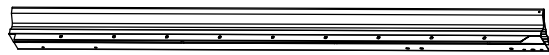
(2) Repeat the above procedures for the another track C2.



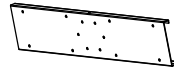
(1) Slide the Plastic Hooks #4 to the double-rail track #C3 (each slot should slide 6 plastic hooks).

(2) Repeat the above procedures for the another track C3.





B x2



E x2

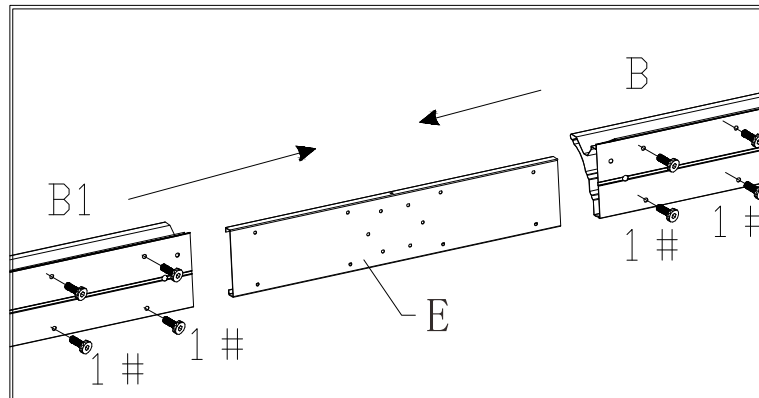


1#
x16



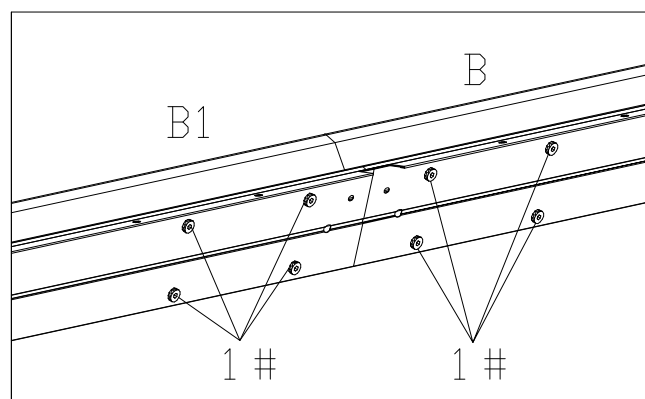
B1 x2

BEAM ASSEMBLY:



- (1) Insert Part #E into Part #B1, and secure with 4 Bolts #1.
- (2) Insert the other side of Part #E into Part #B and secure with 4 Bolts #1.

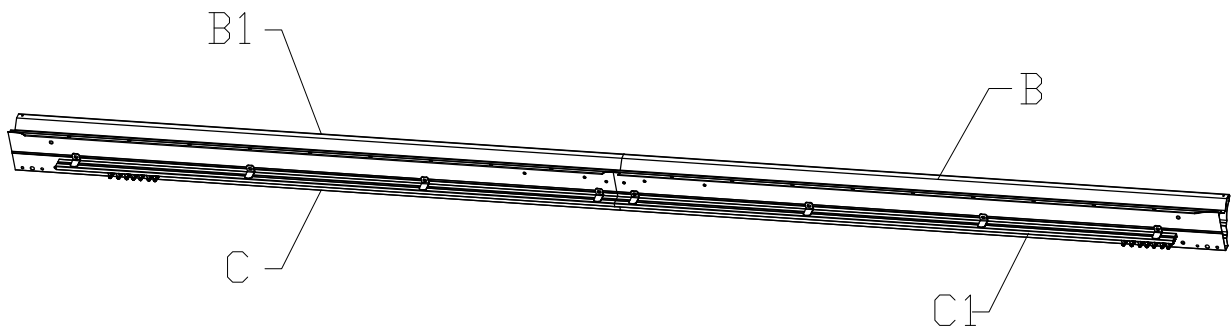
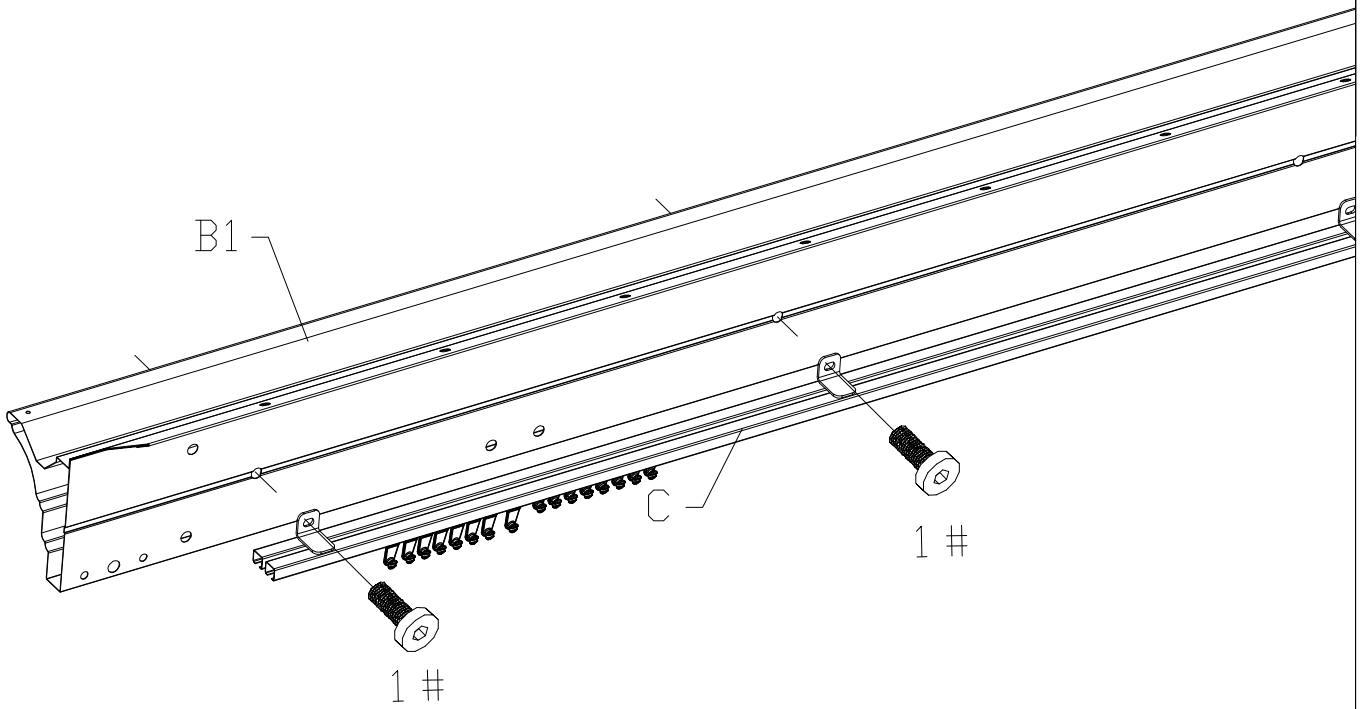
Repeat the above procedures to assemble the other Part #B1 and #B.



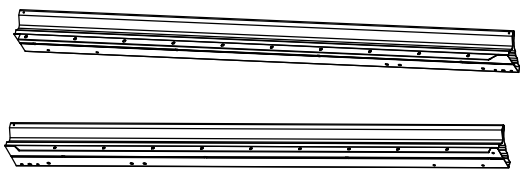
TIPS: It's a normal situation that there's a gap between the 2 beams, please use silicone sealant (part #H) and Joint Cover #G to affix the gap.(see P13)

1#
x16

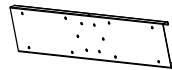
(1) Use 8 Bolts #1 to fix the track C & C1 to the beam B1 & B.
Repeat the above procedures for another beam B1 & B.



X2



B2 (x2)

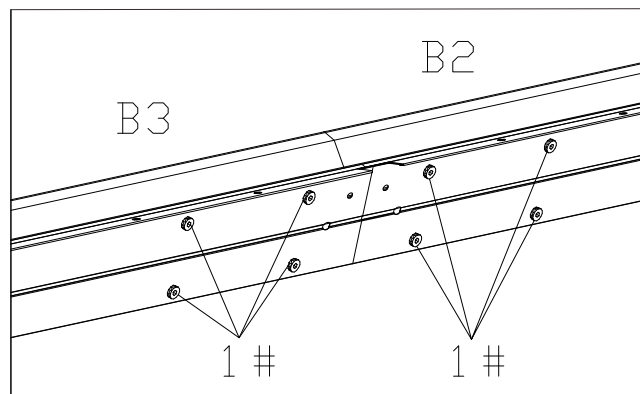
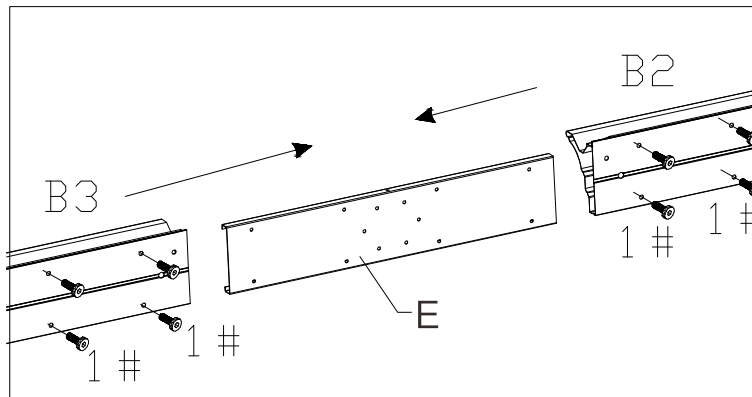


E (x2)



1#
x16

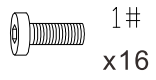
B3 (x2)



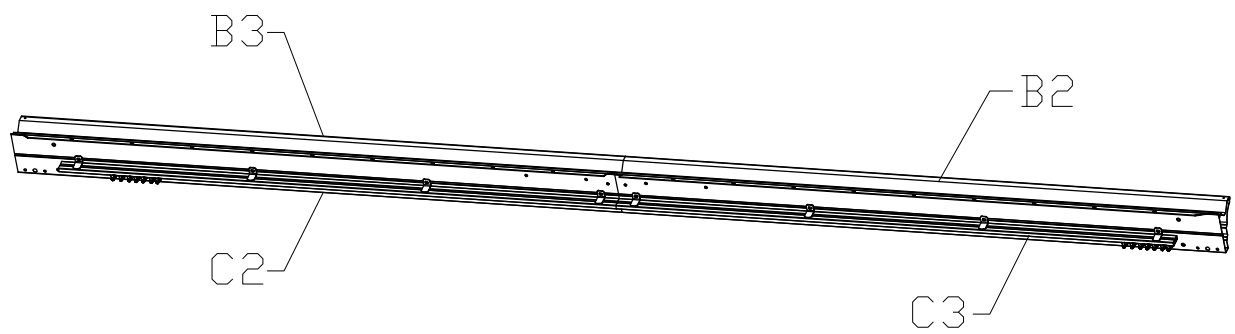
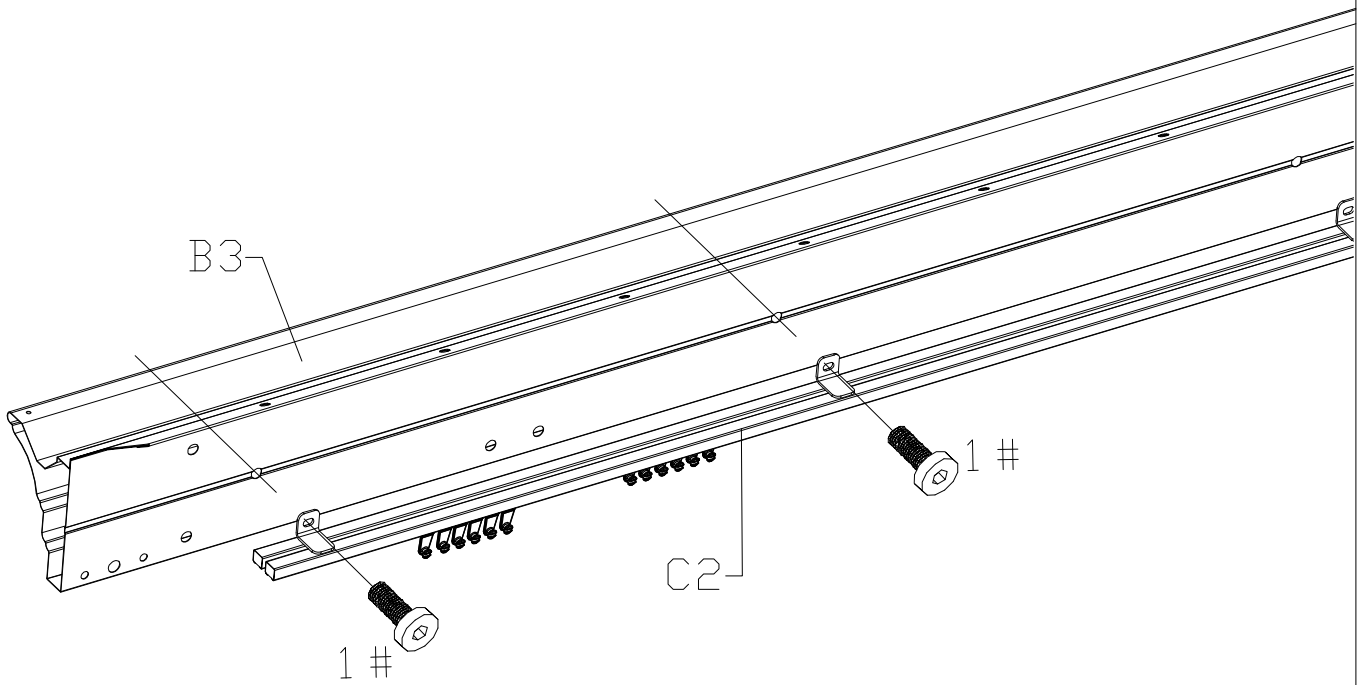
- (1) Insert Part #E into Part #B3, and secure with 4 Bolts #1.
- (2) Insert the other side of Part #E into Part #B2 and secure with 4 Bolts #1.

Repeat the above procedures to assemble the other Part #B3 and B2.

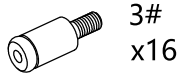
TIPS: It's a normal situation that there's a gap between the 2 beams, please use silicone sealant (part #H) and Joint Cover #G to affix the gap.(see P13)



(1) Use 8 Bolts #1 to fix the track C2 & C3 to the beam B3 & B2.
Repeat the above procedures for another beam B3 & B2.

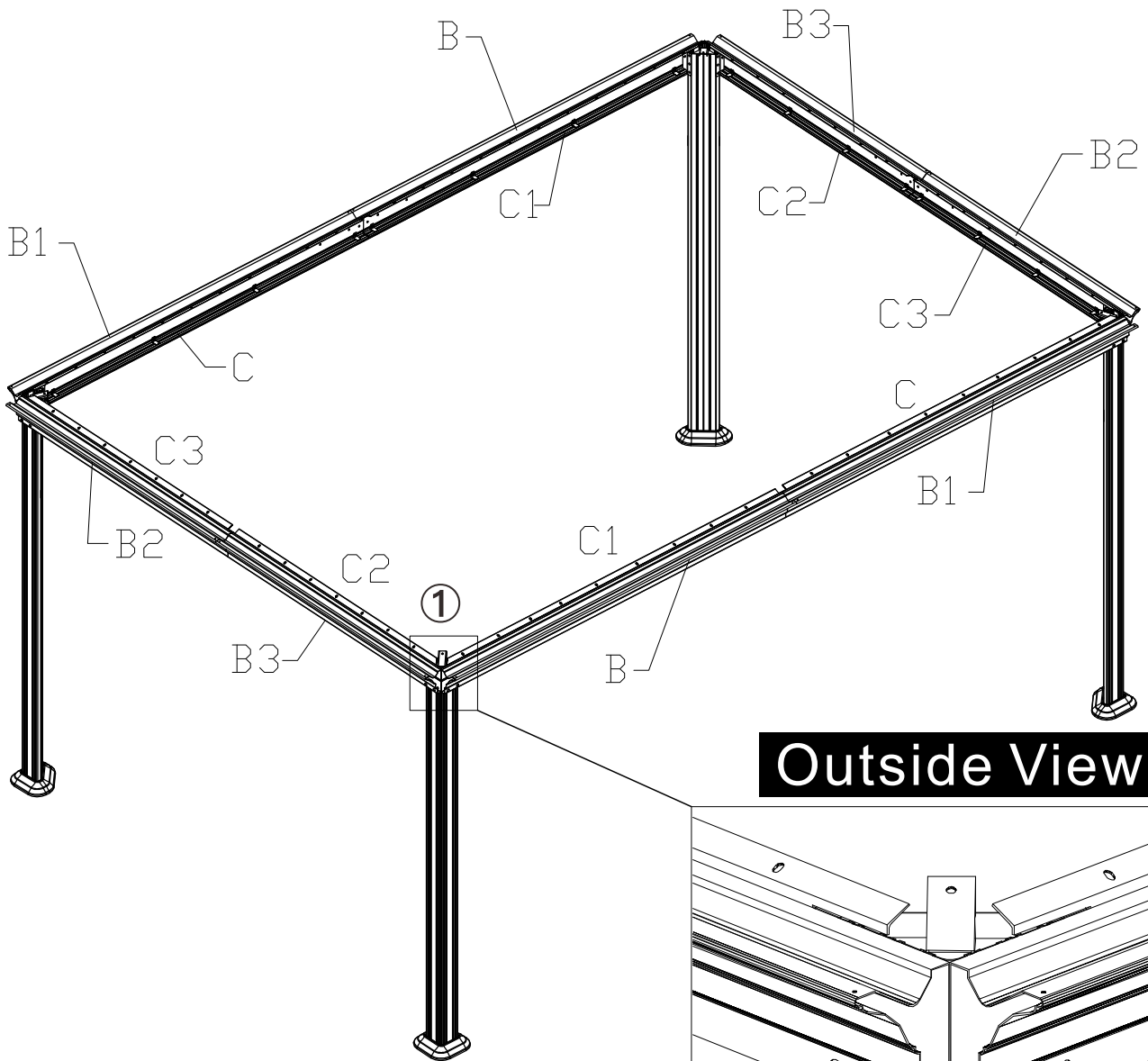


X2

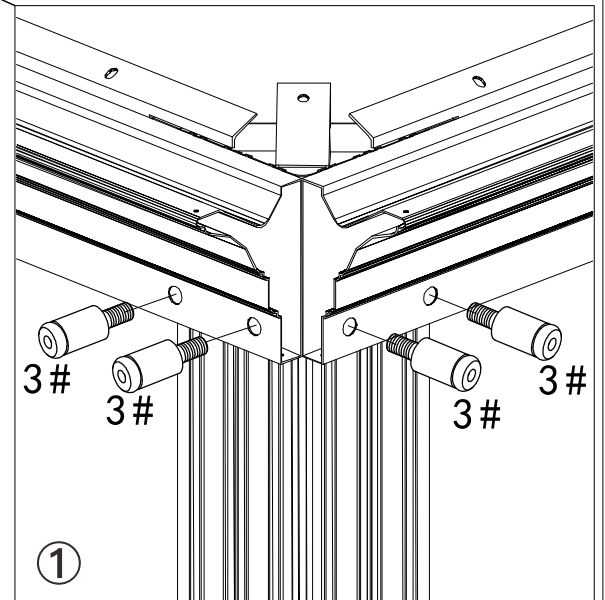


3#
x16

FRAME ASSEMBLY:



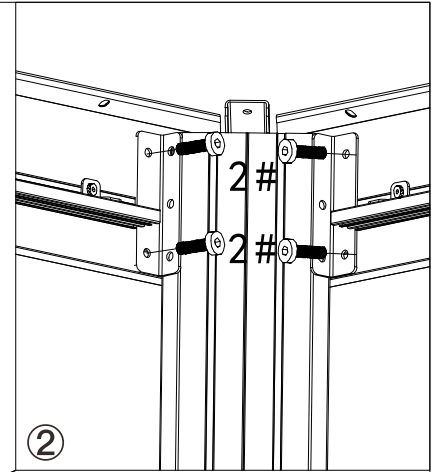
Outside View



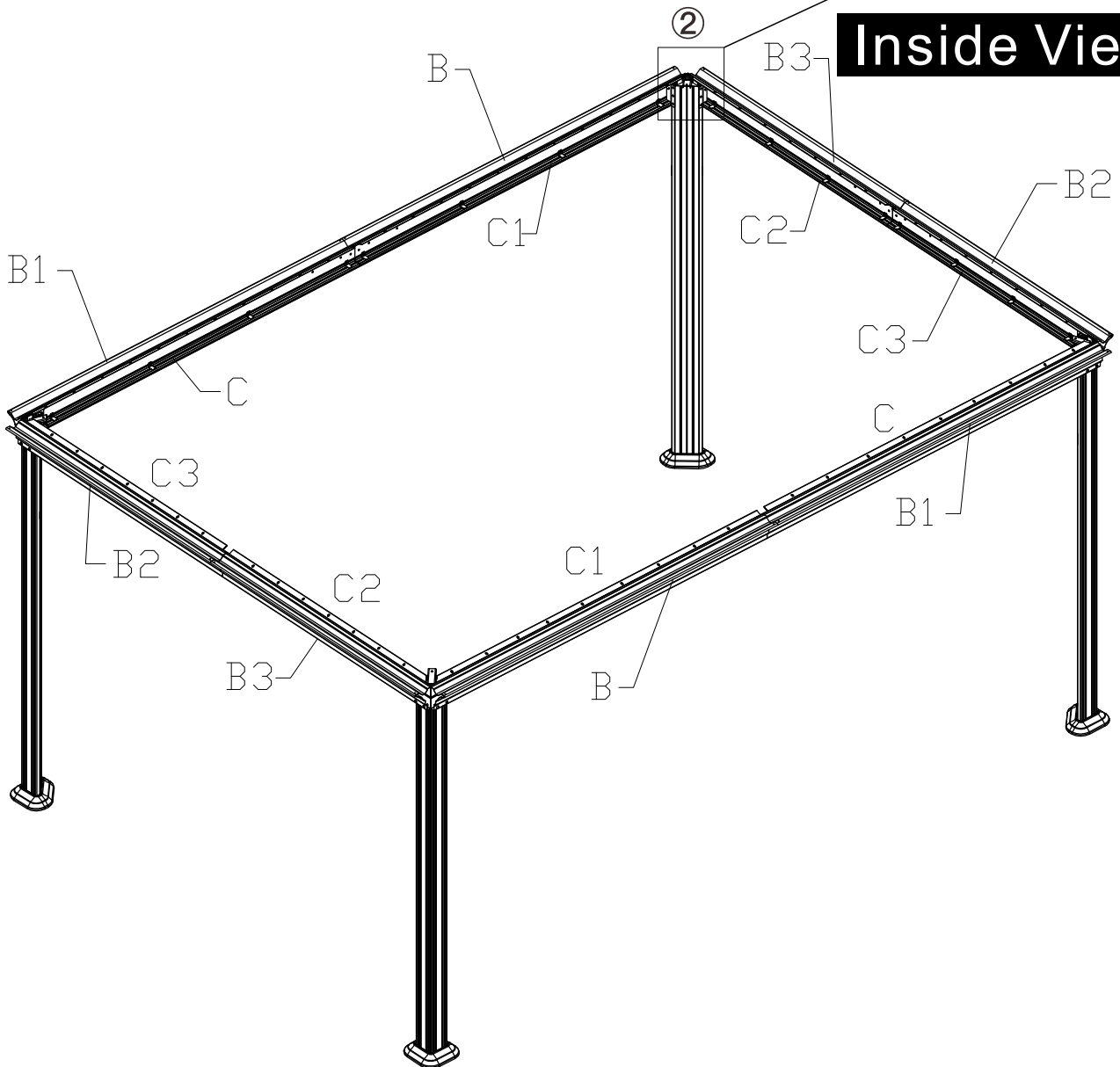
Please don't tighten
all bolts.



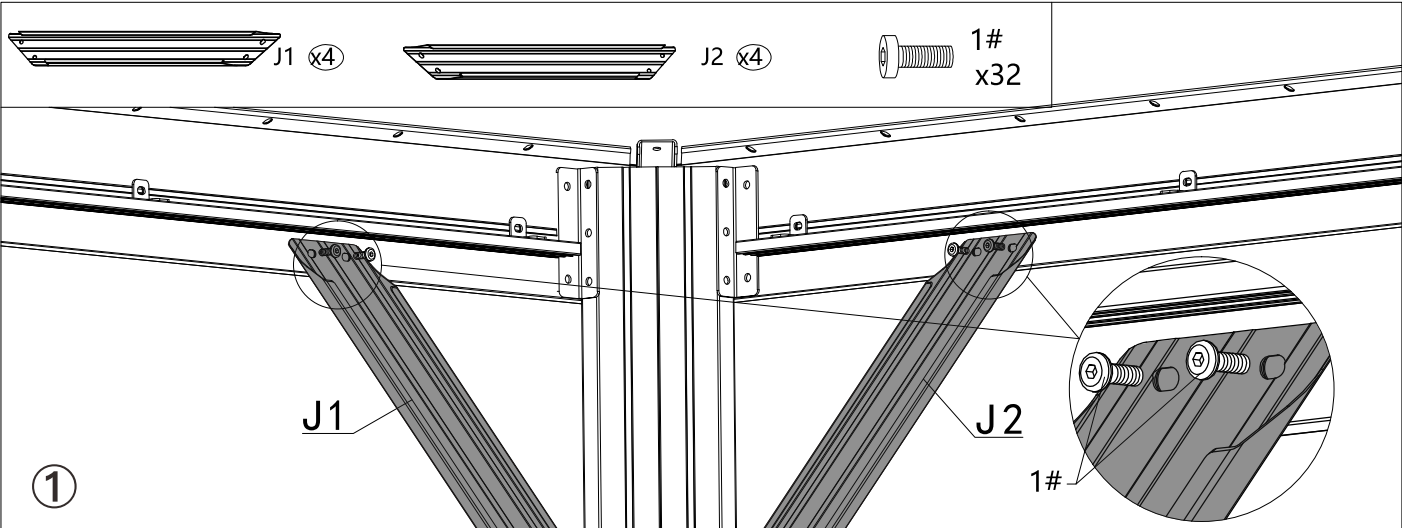
2#
x16



Inside View

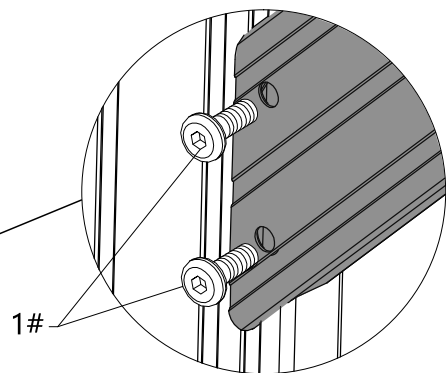
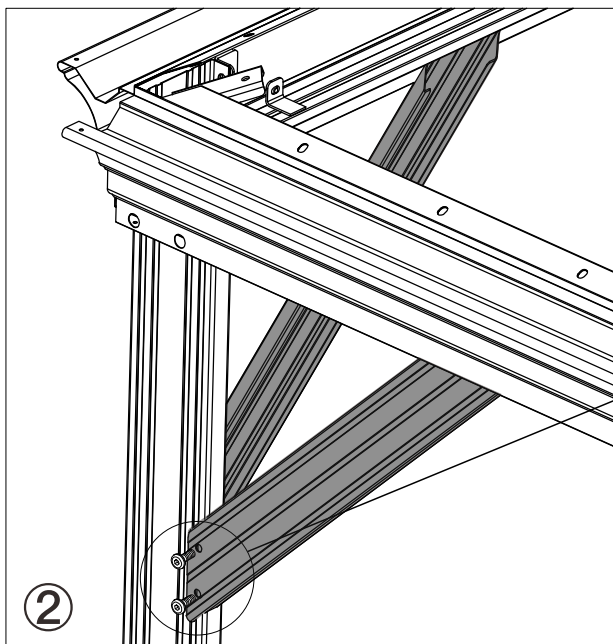
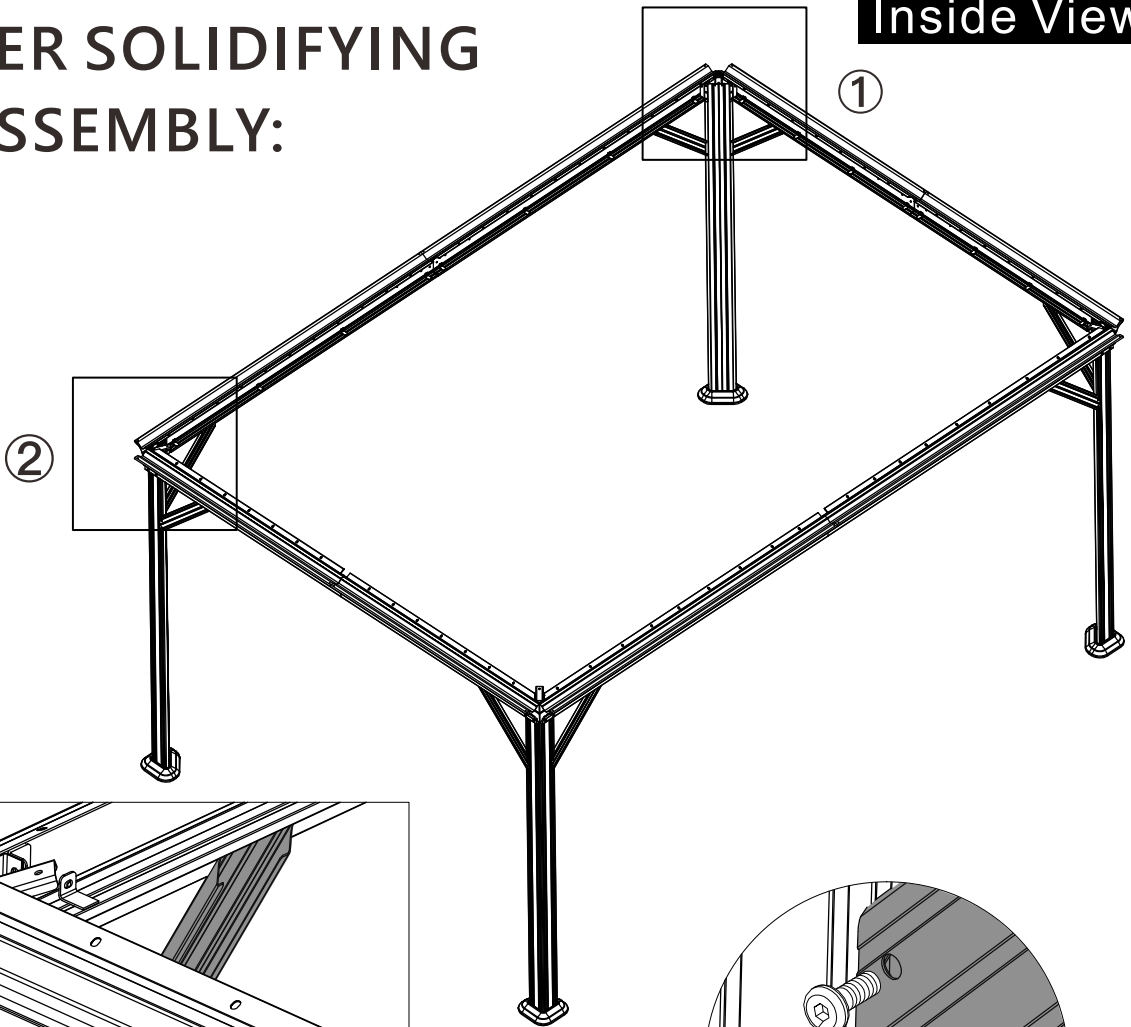


**Please don't tighten
all bolts.**



CORNER SOLIDIFYING BAR ASSEMBLY:

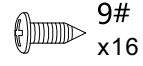
Inside View



Outside View

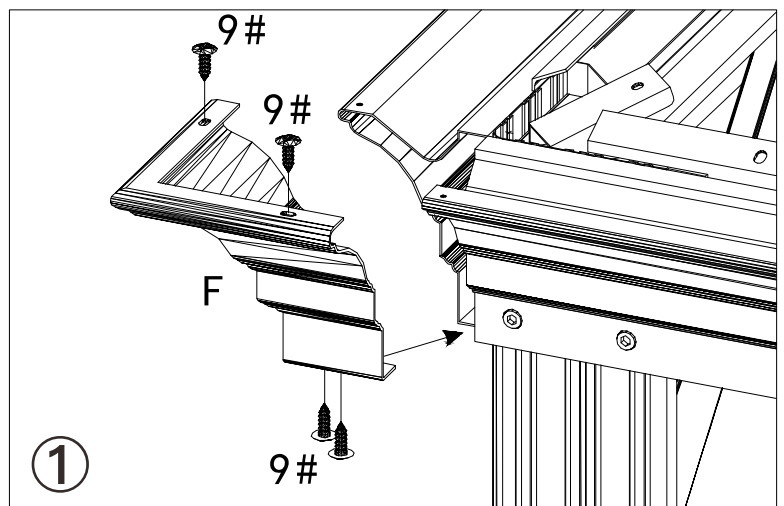
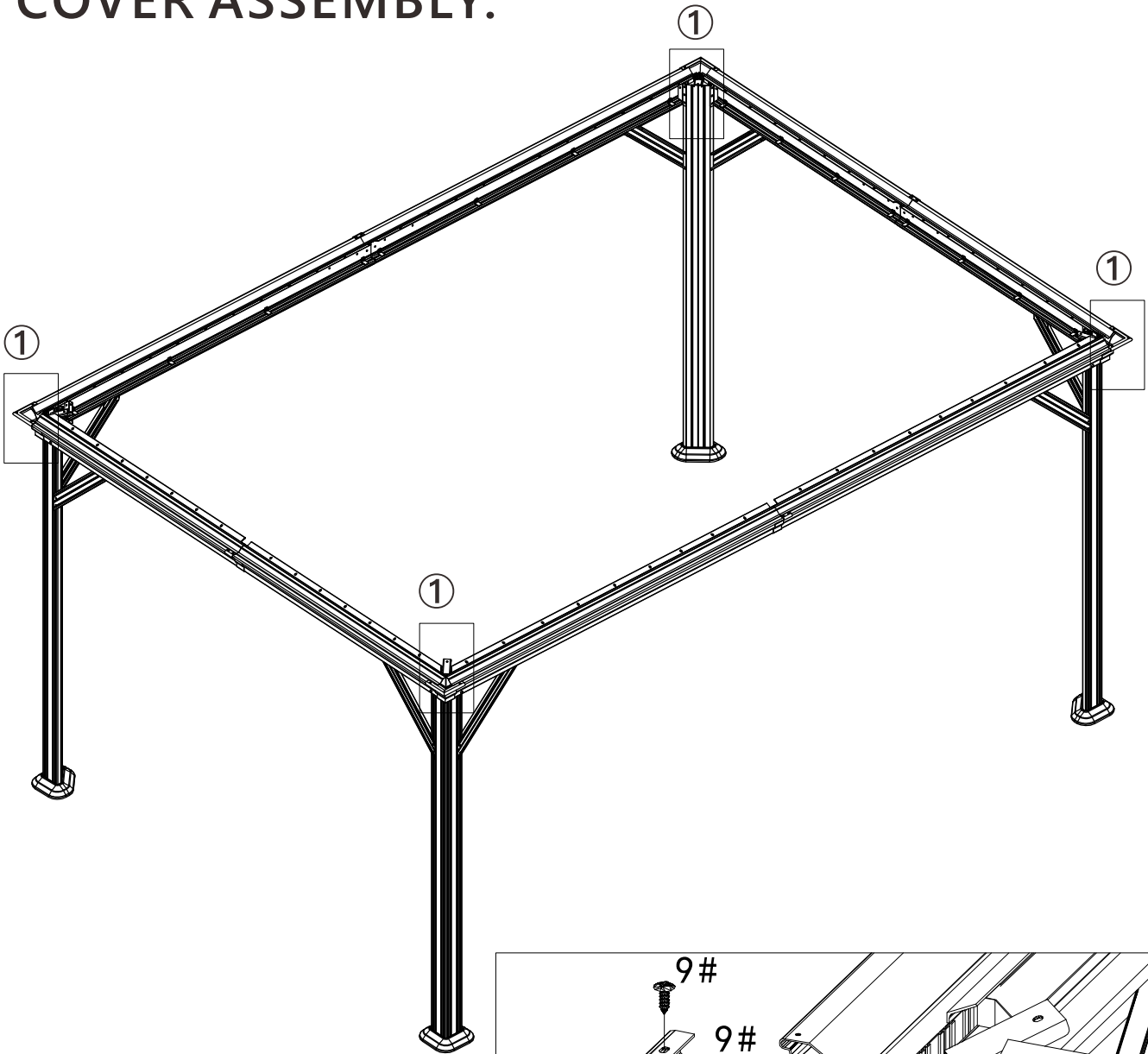


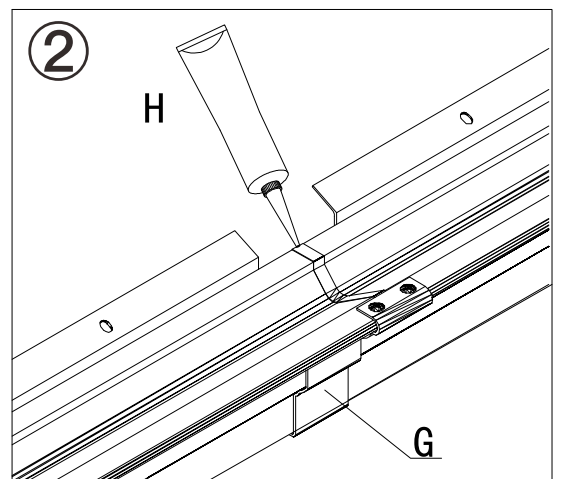
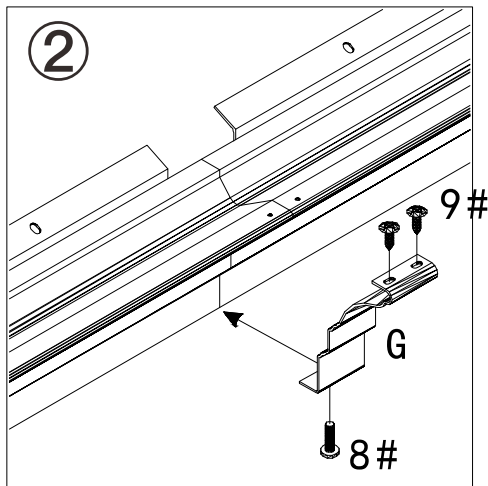
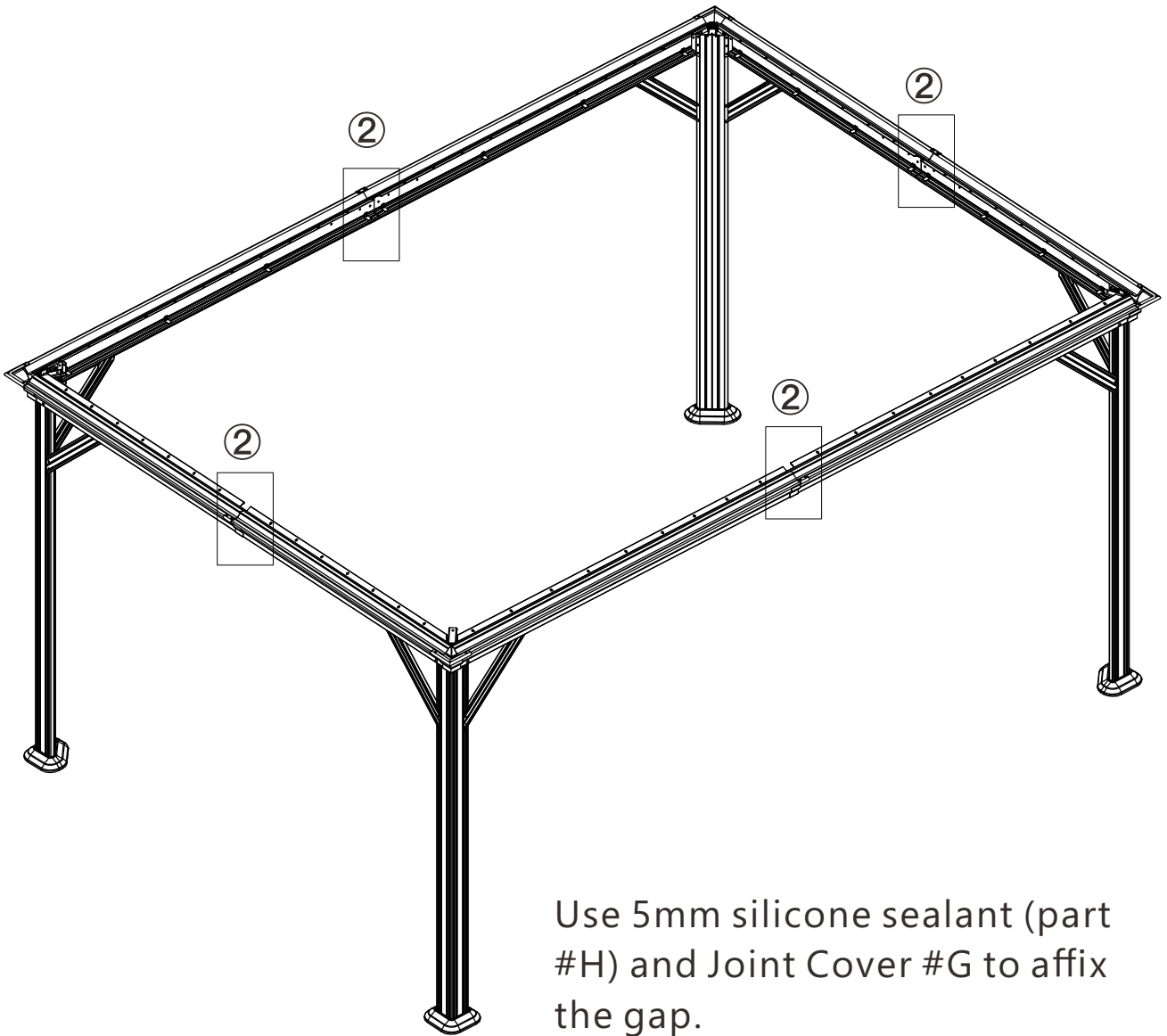
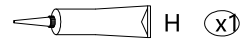
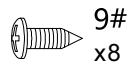
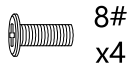
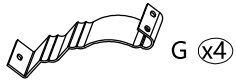
F (x4)



9#
x16

CORNER COVER & JOINT COVER ASSEMBLY:



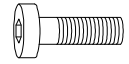




L (x4)

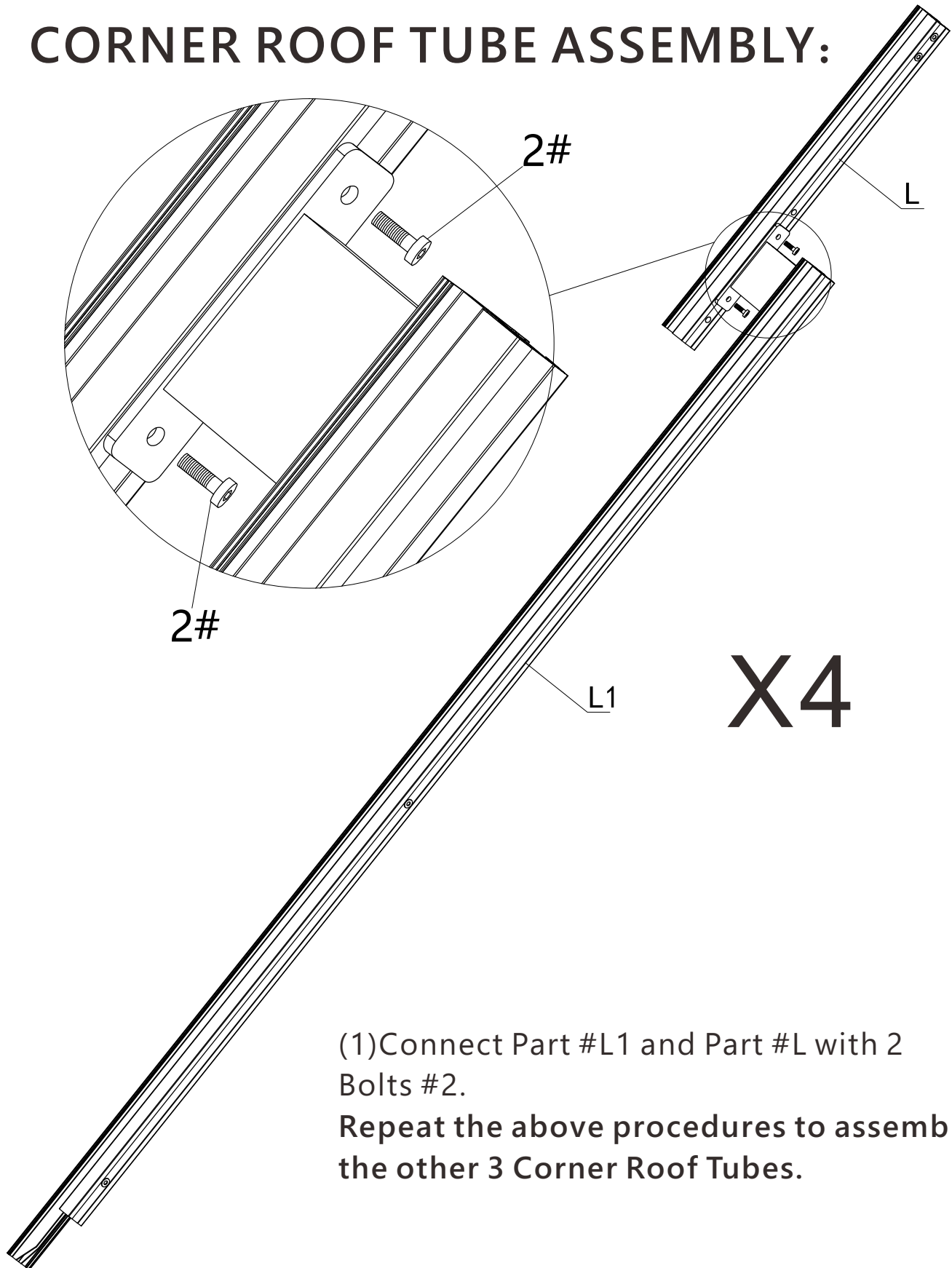


L1 (x4)

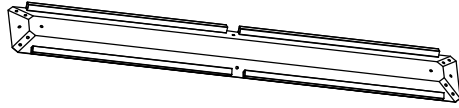


2#
x8

CORNER ROOF TUBE ASSEMBLY:

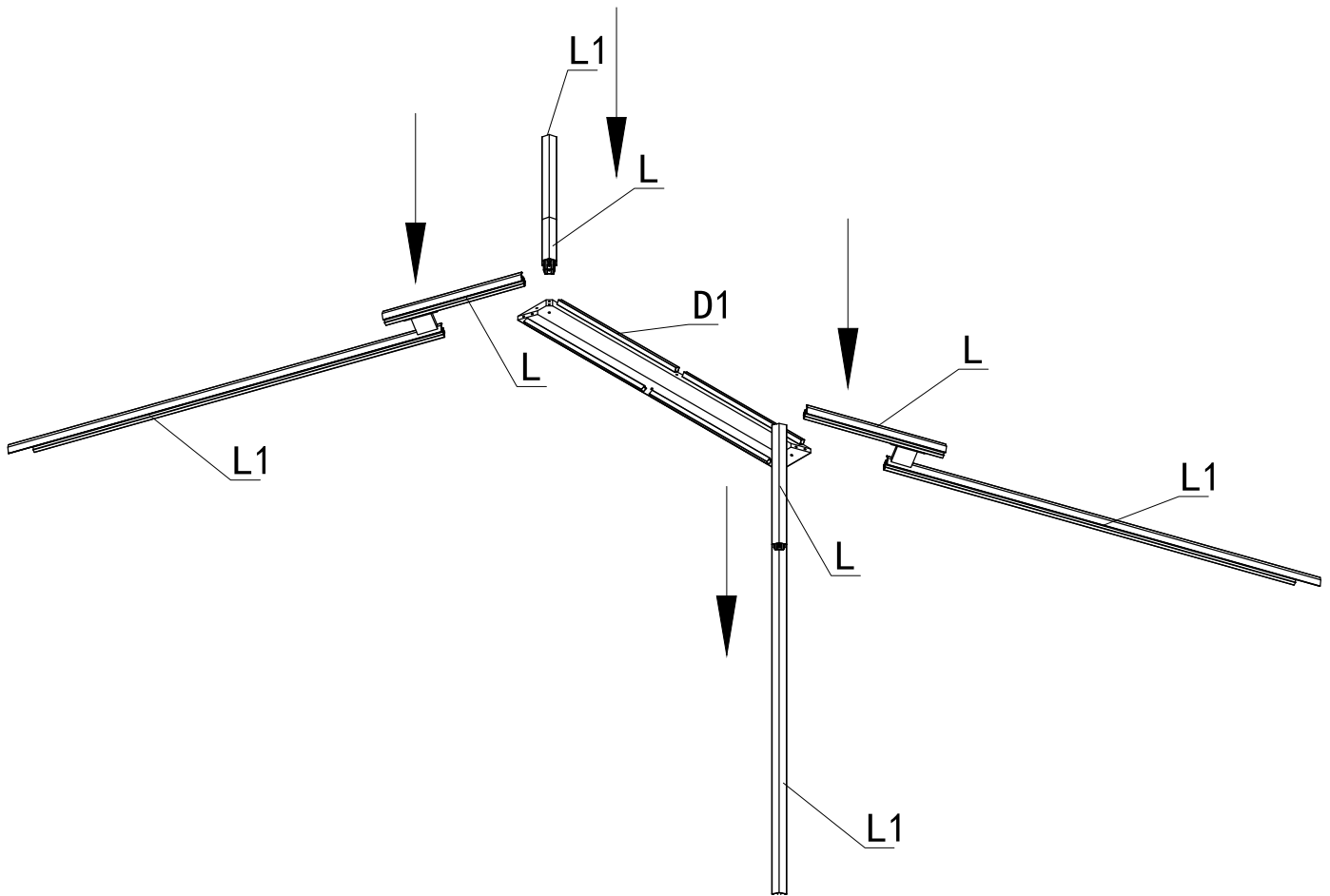


(1) Connect Part #L1 and Part #L with 2 Bolts #2.
 Repeat the above procedures to assemble the other 3 Corner Roof Tubes.

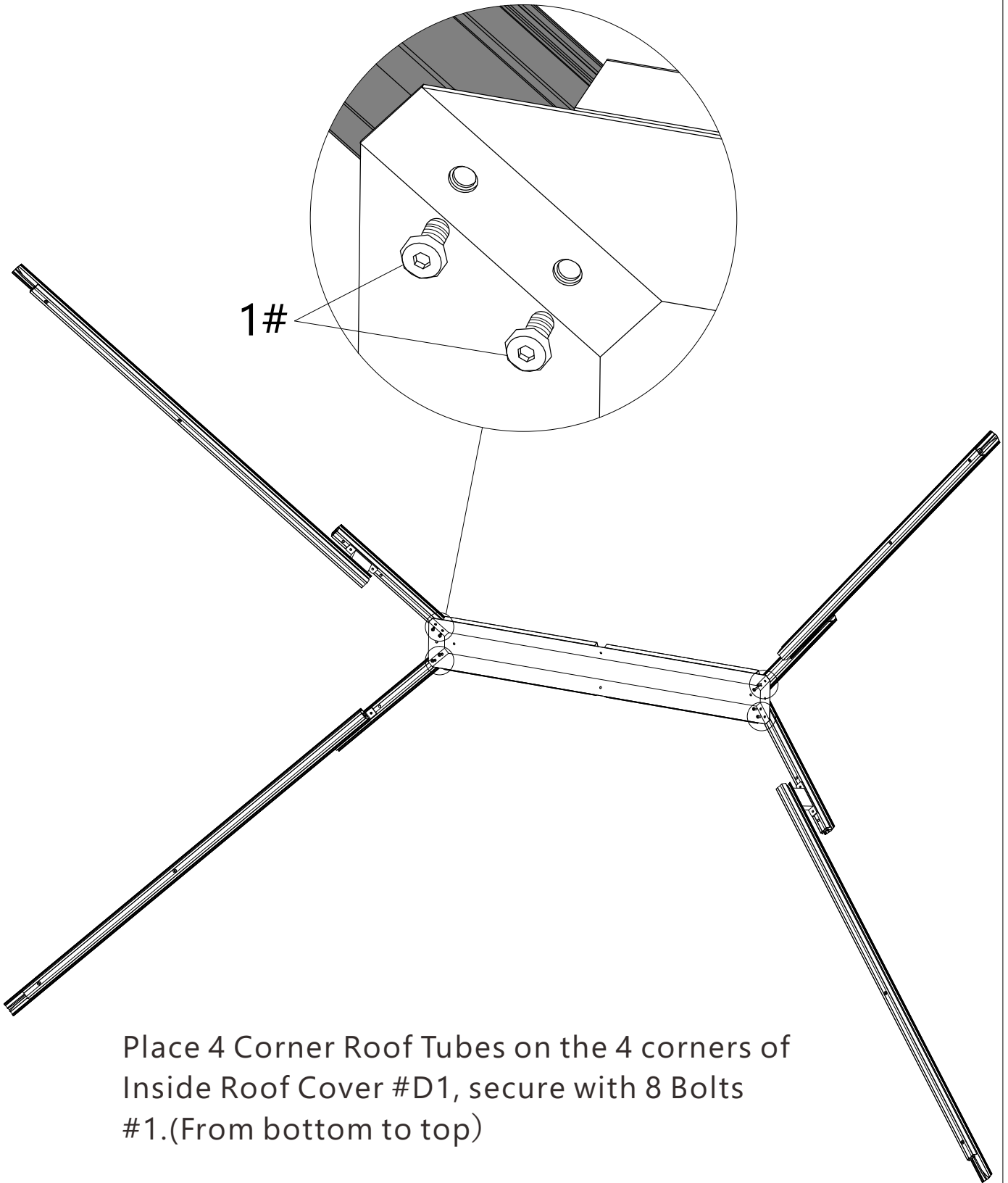


D1 (x1)

CORNER ROOF TUBE AND INSIDE ROOF CONNECTOR ASSEMBLY:

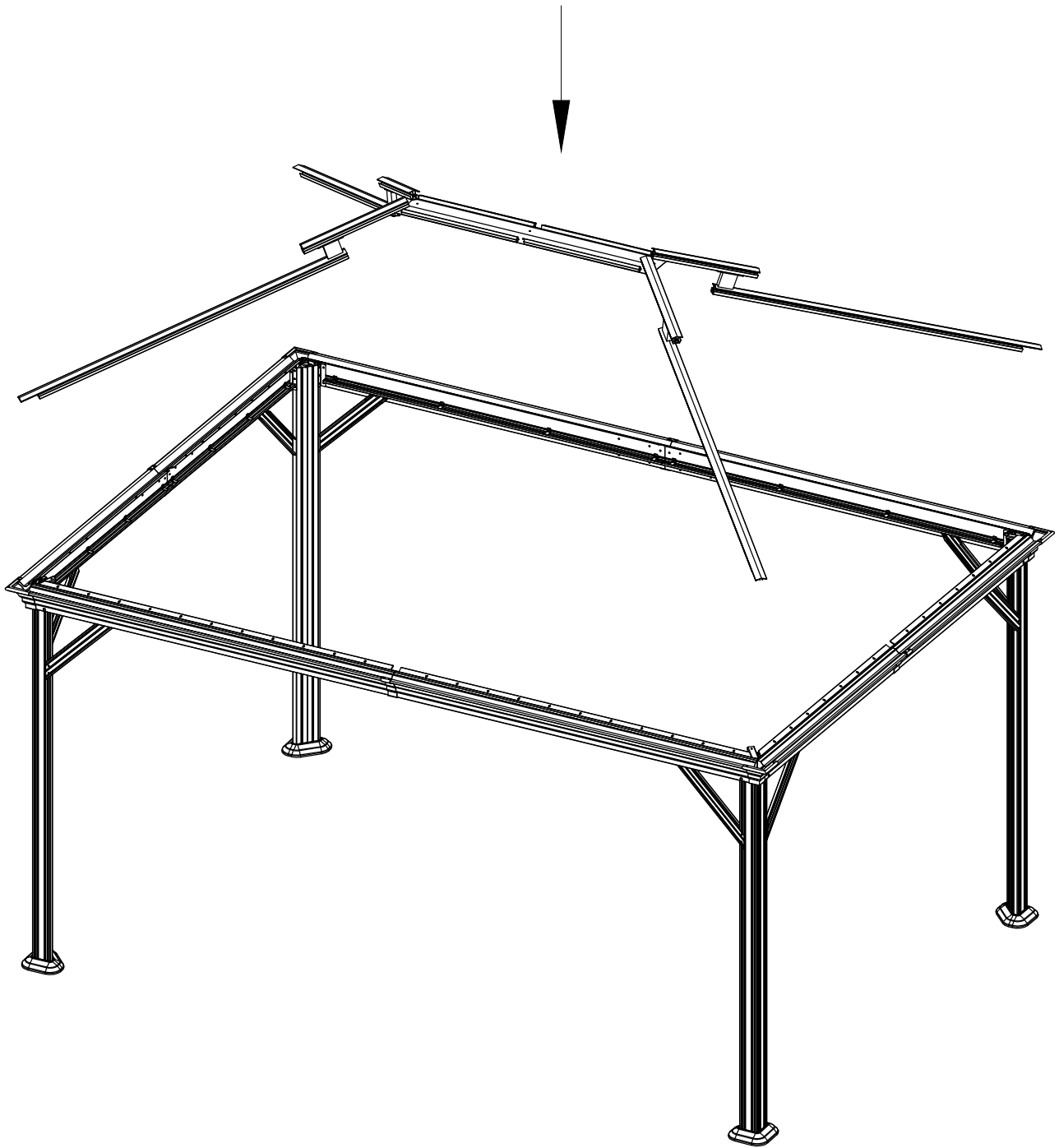


1#
x8



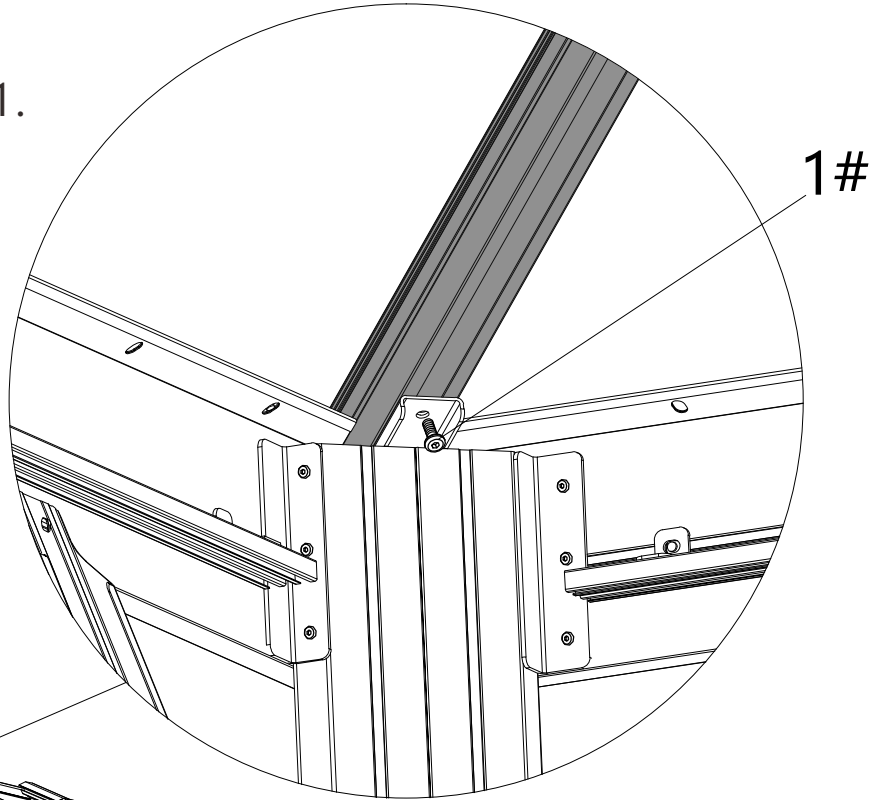
Place 4 Corner Roof Tubes on the 4 corners of Inside Roof Cover #D1, secure with 8 Bolts #1.(From bottom to top)

Lift 4 corner roof Tubes and inside roof connector to the top of the frame.(You may need 2 people and 2 ladders).

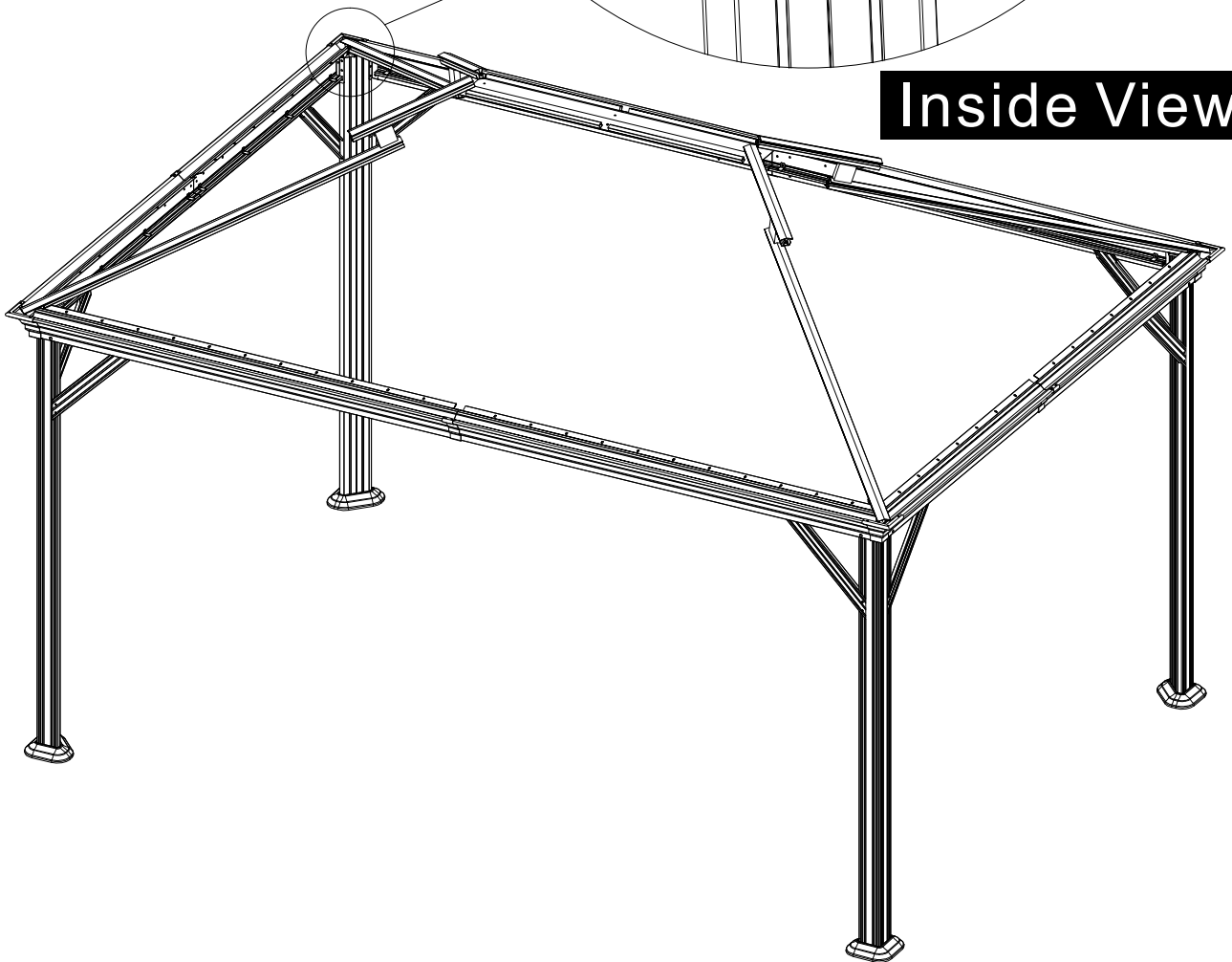


1#
×4

Secure with 4 Bolts #1.

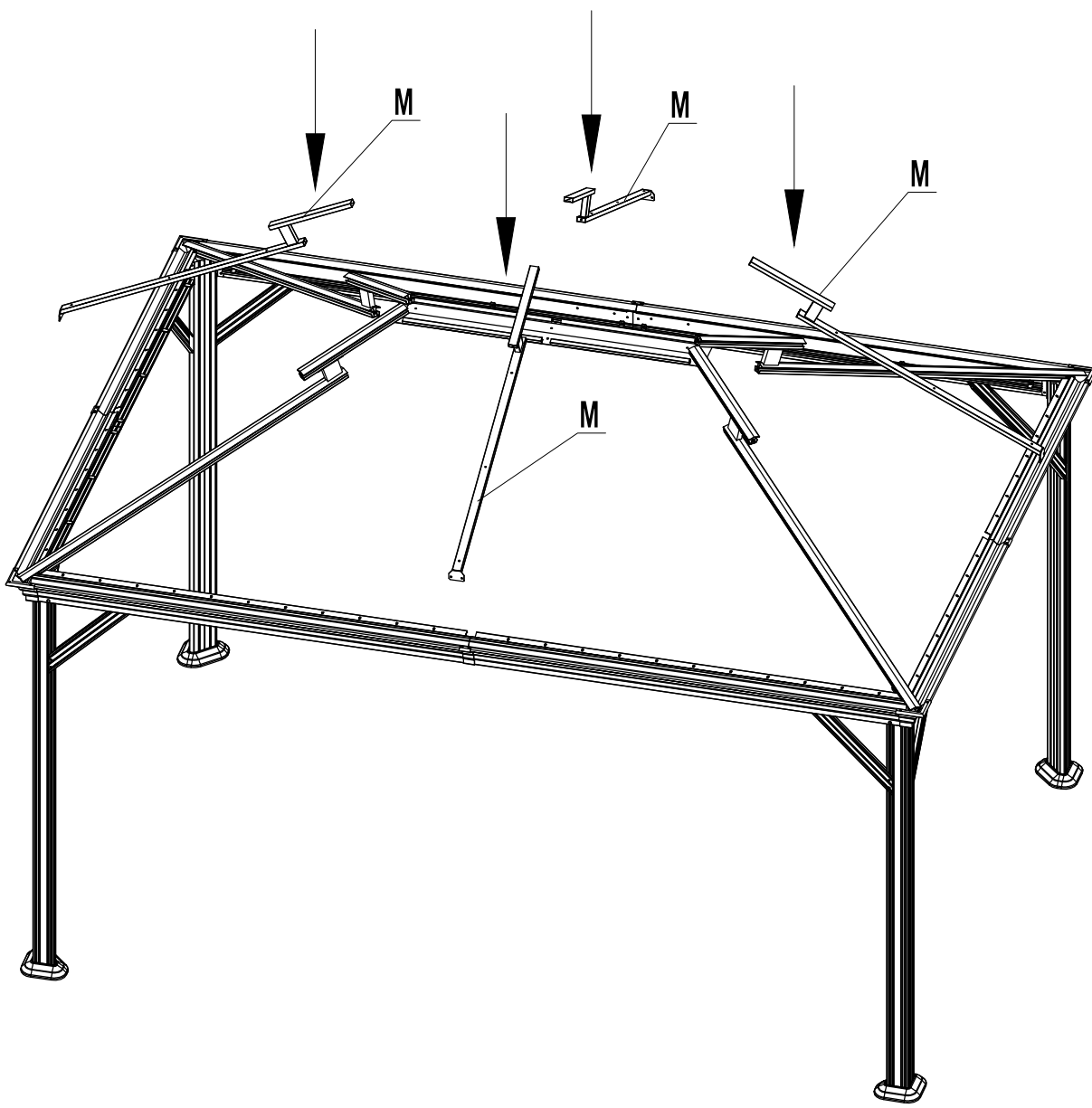


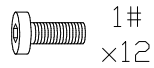
Inside View





M (x4)



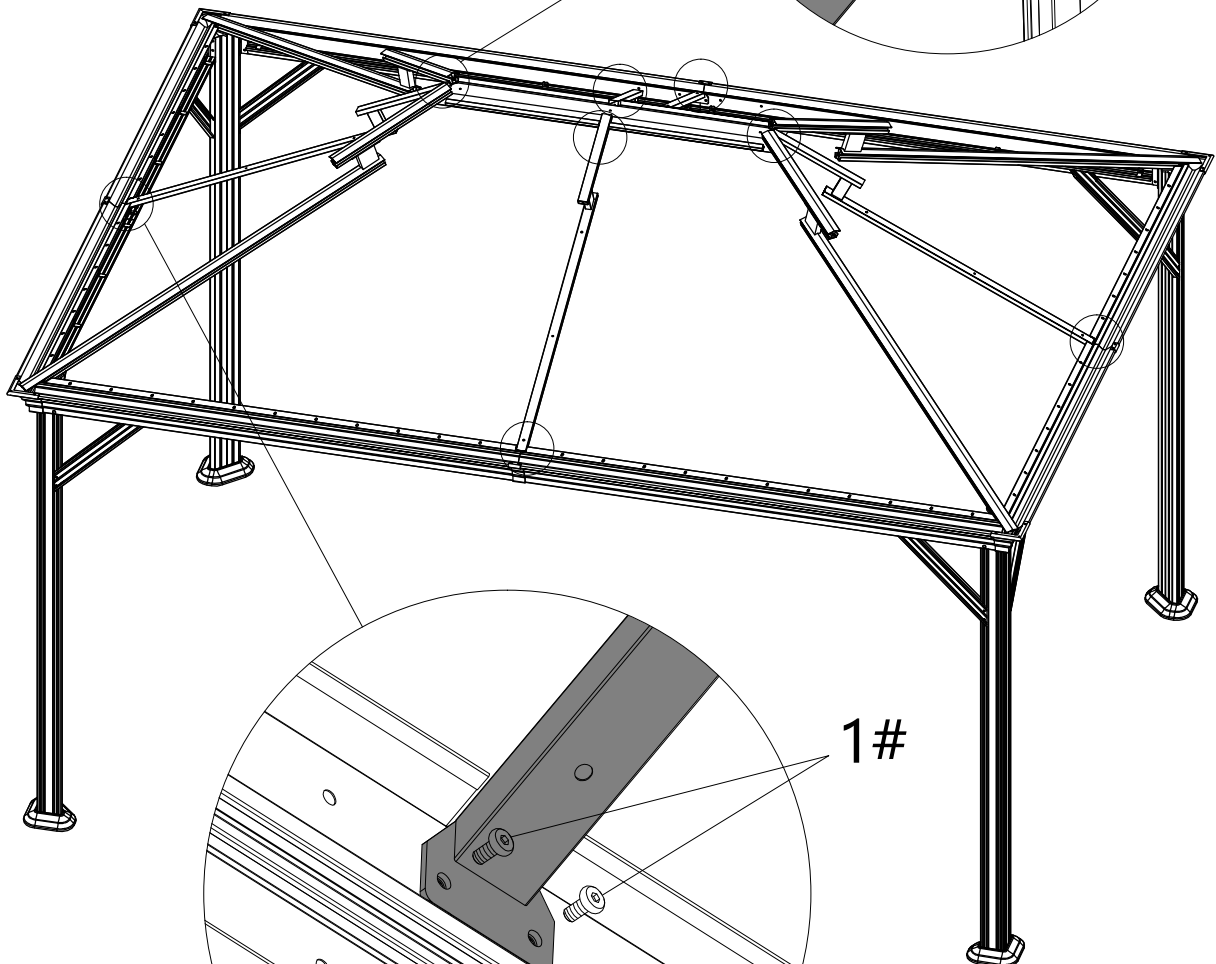
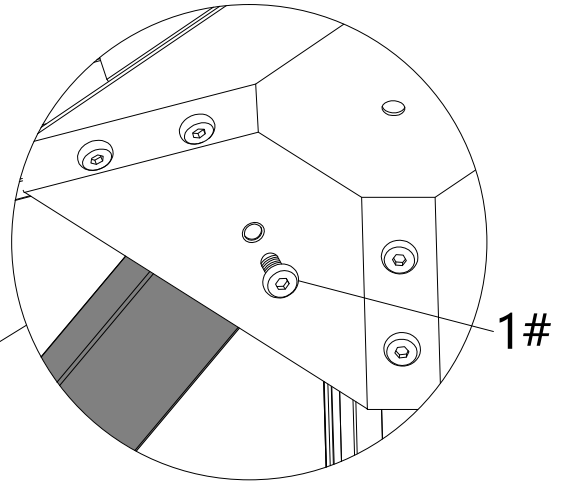


MIDDLE ROOF TUBE ASSEMBLY:

(1) Place Middle Roof Tube #M on Inside Roof Connector, secure with Bolt #1. (from bottom to top)

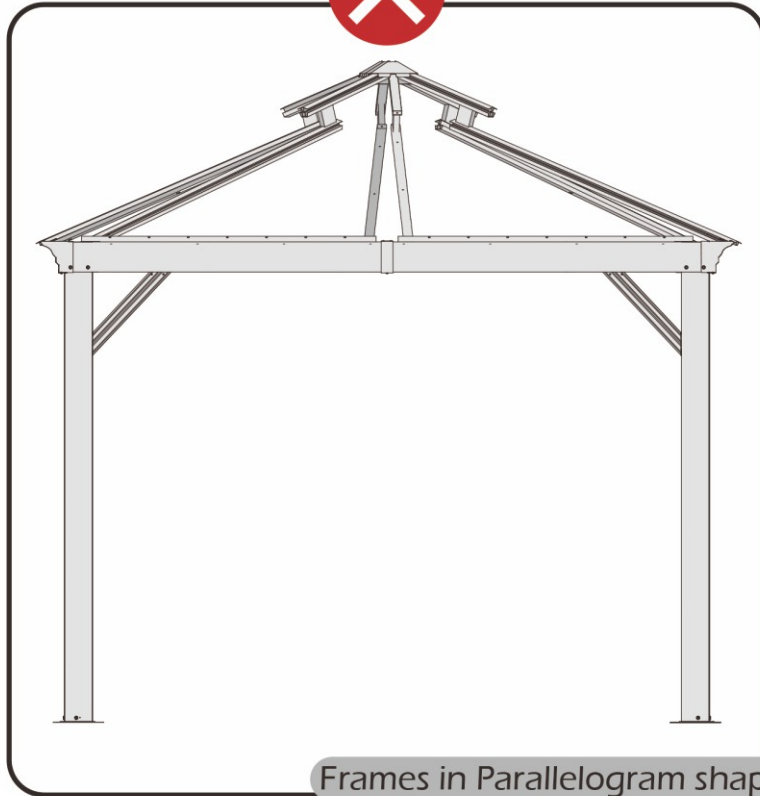
(2) Connect Middle Roof Tube #M and the Assembled Beam with 2 Bolts #1.

Repeat the above procedures to assemble the other sides.

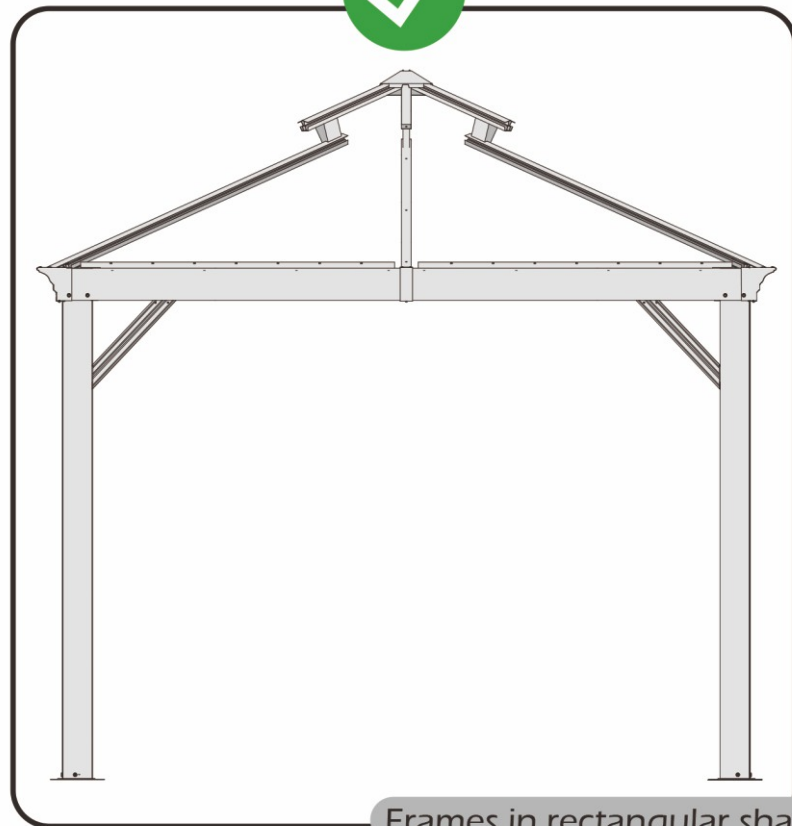


Inside View

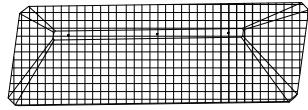
Check the the frame as pictures below shows.



Frames in Parallelogram shape



Frames in rectangular shape



P (x1)

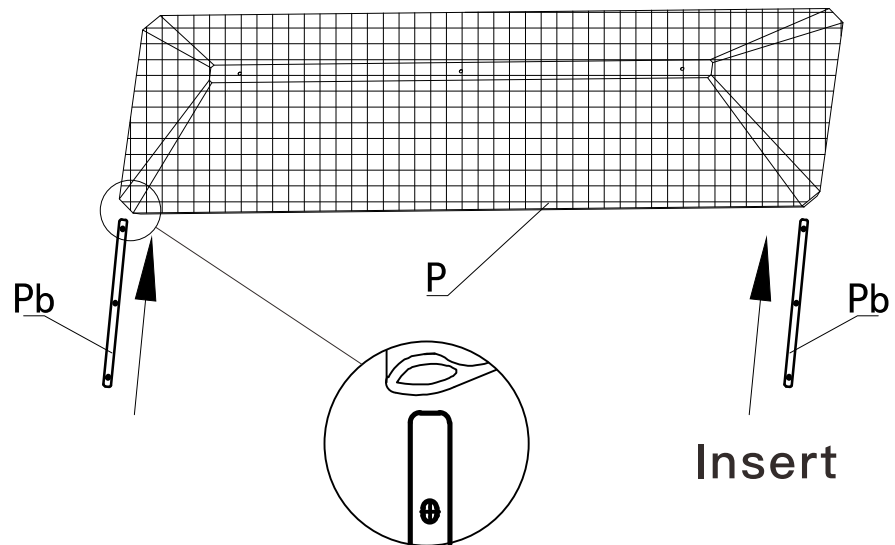
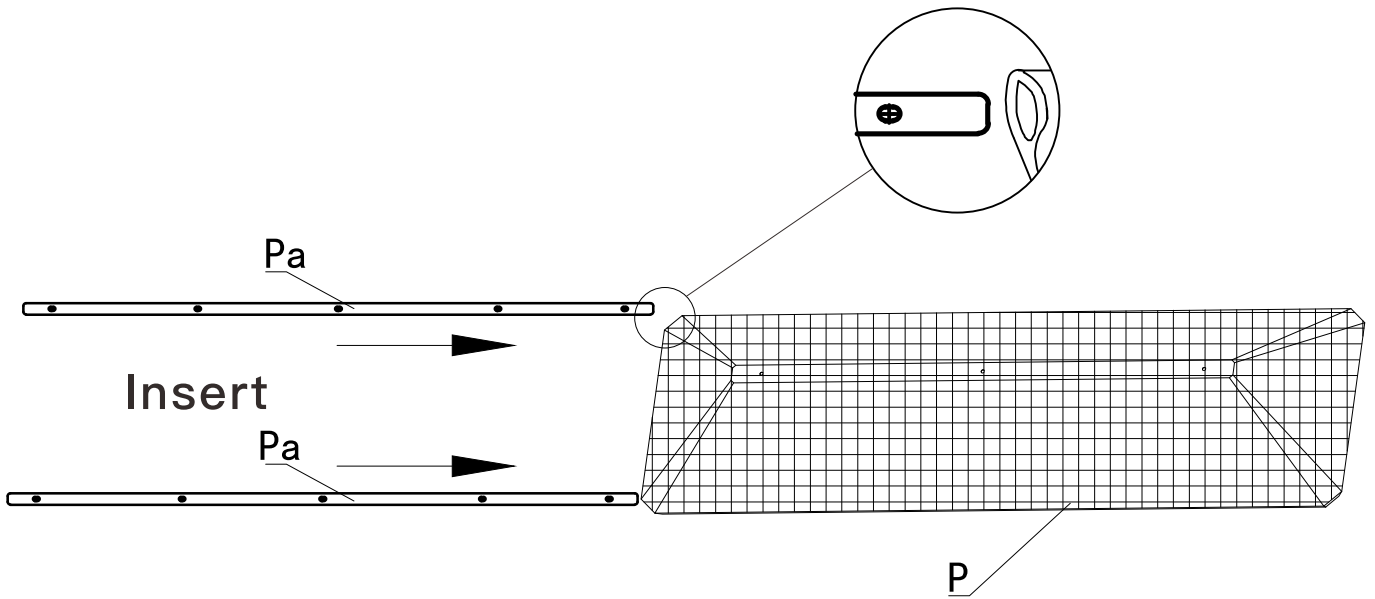


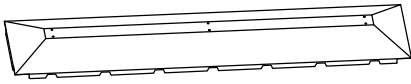
Pa (x2)



Pb (x2)

PLASTIC BAR ASSEMBLY:





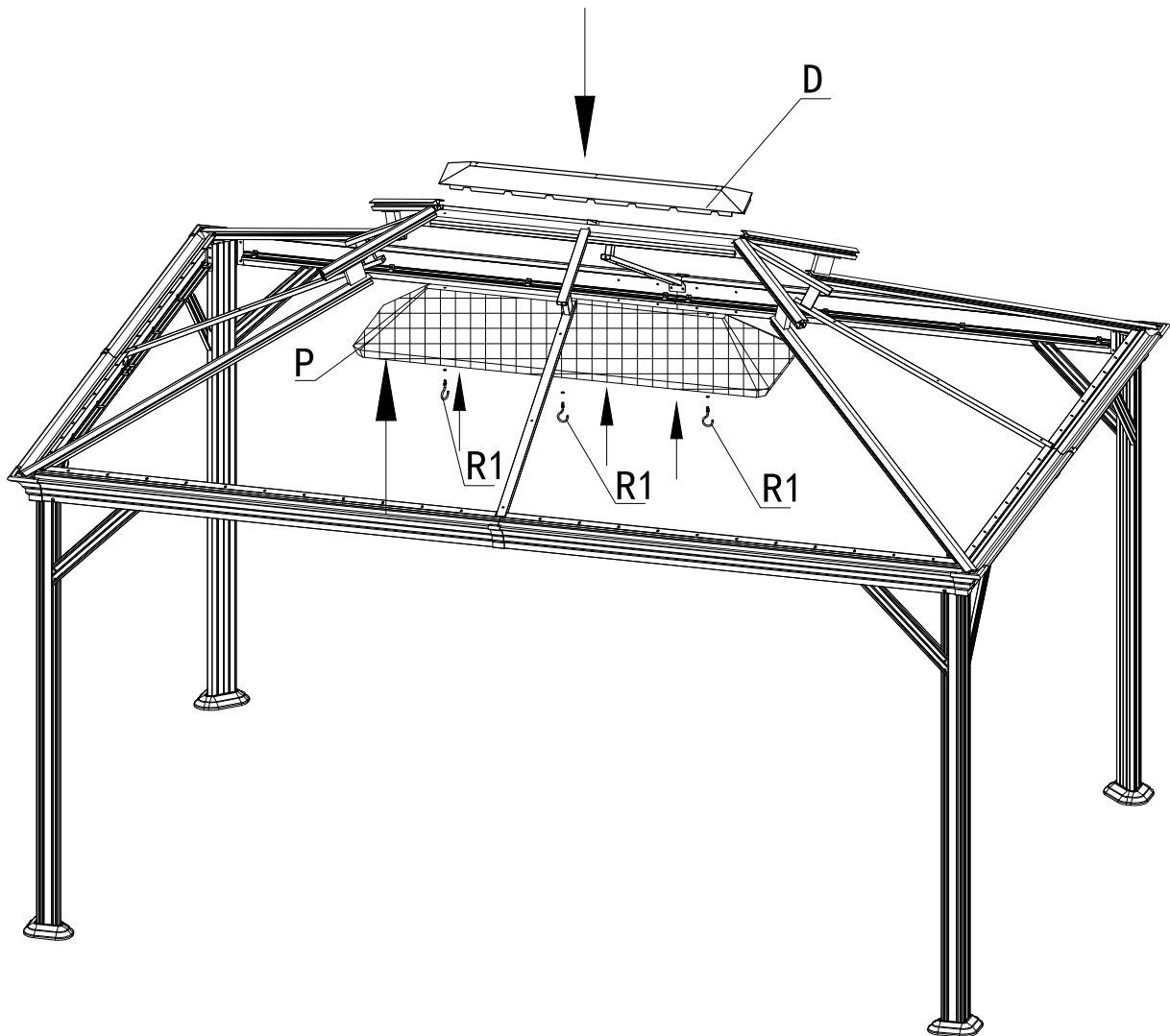
D (x1)

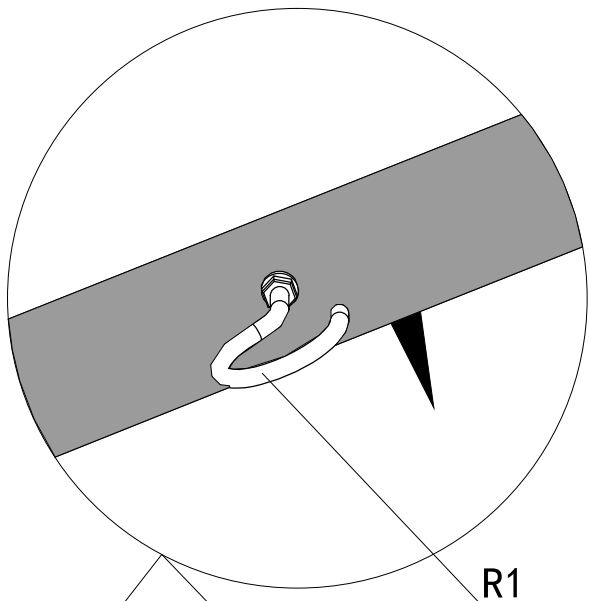


R1 (x3)

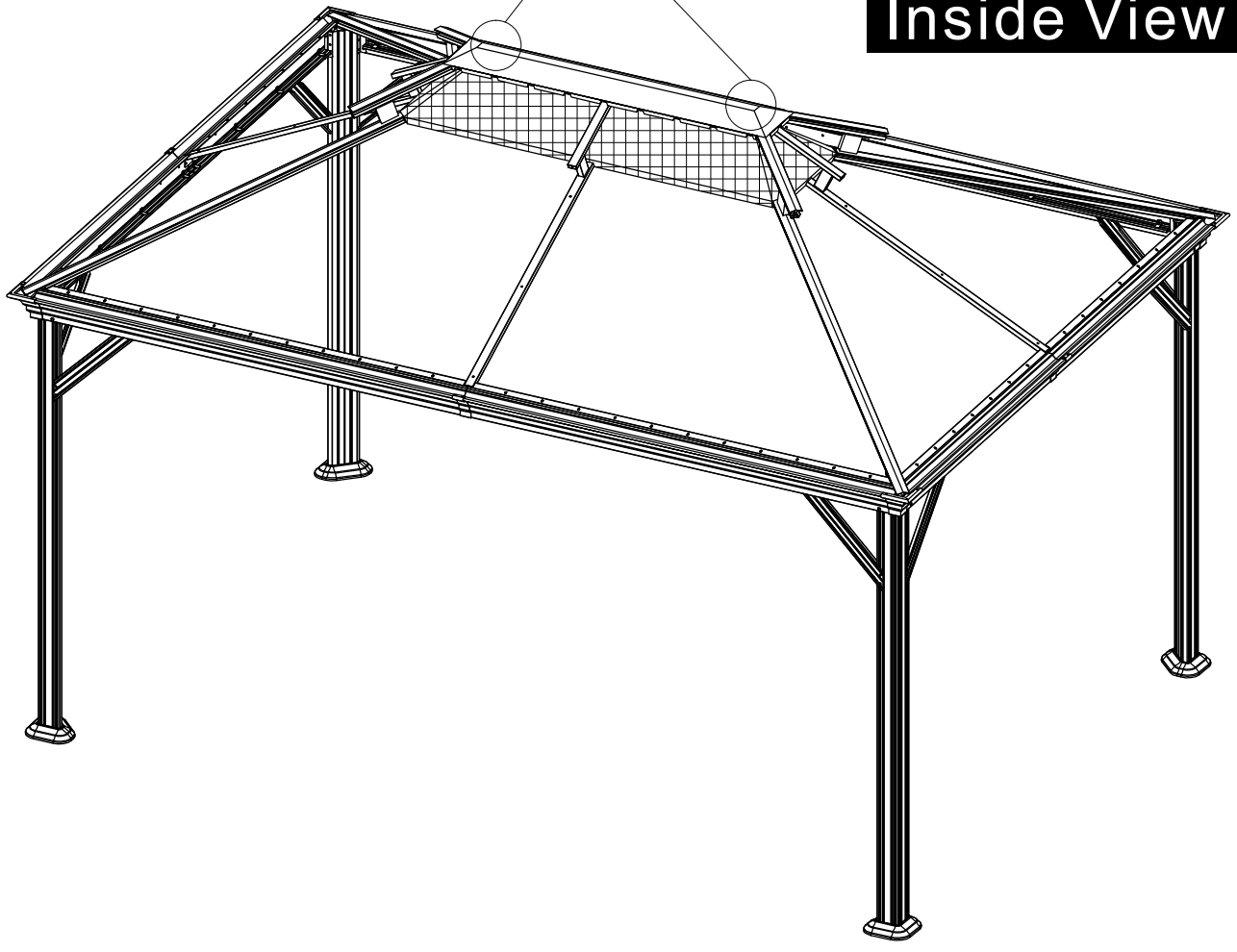
OUTSIDE ROOF COVER AND MESH ASSEMBLY:

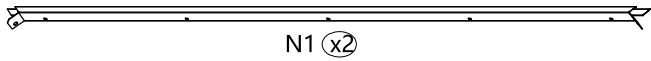
- (1) Place the Outside Roof Cover #D on the inside Roof Cover.
- (2) Align the holes, and use 3 Hooks #R1 to secure Small Mesh #P to the inside Roof Cover (From Bottom to Top).





Inside View



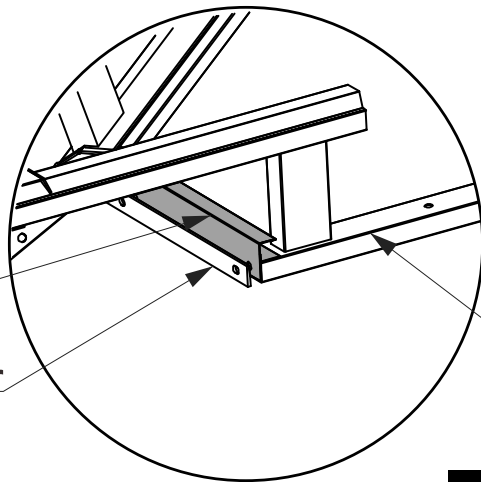
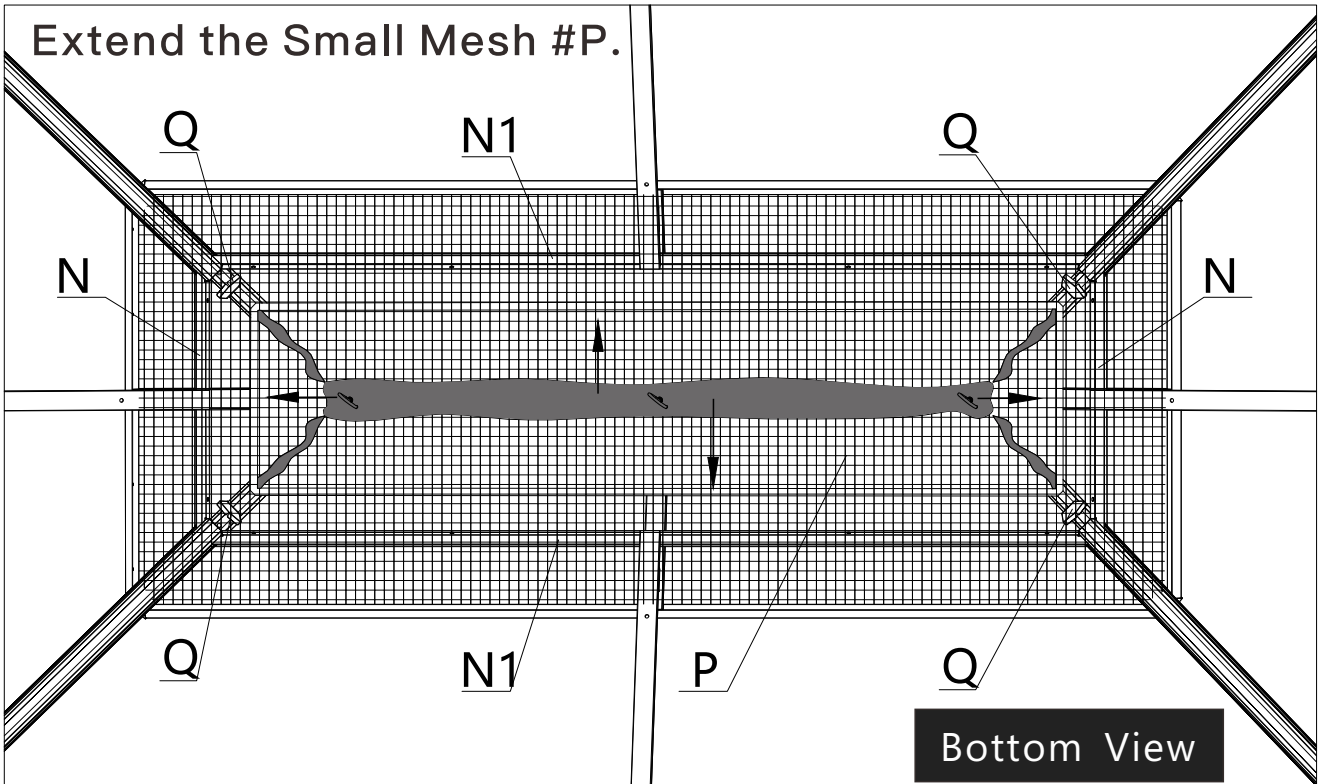


N1 (x2)



N (x2)

Extend the Small Mesh #P.



#N/N1

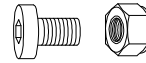
Plastic Bar

Middle Roof Tube

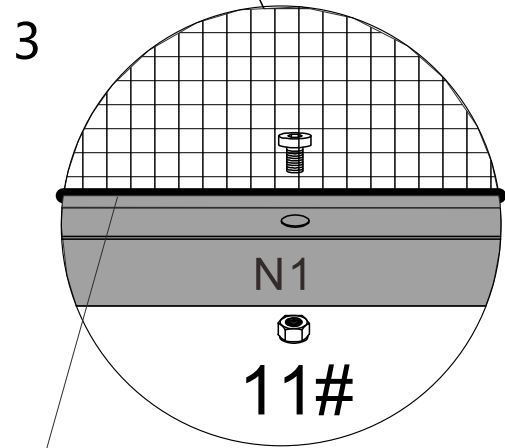
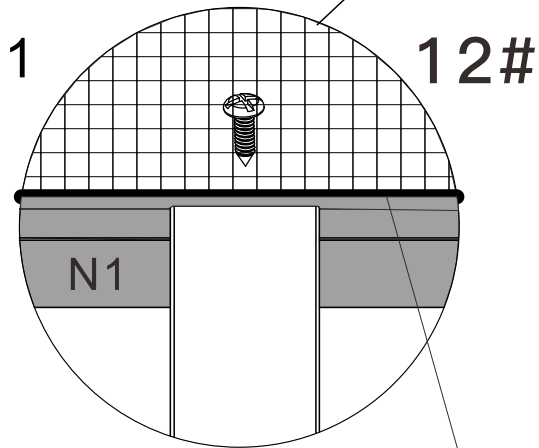
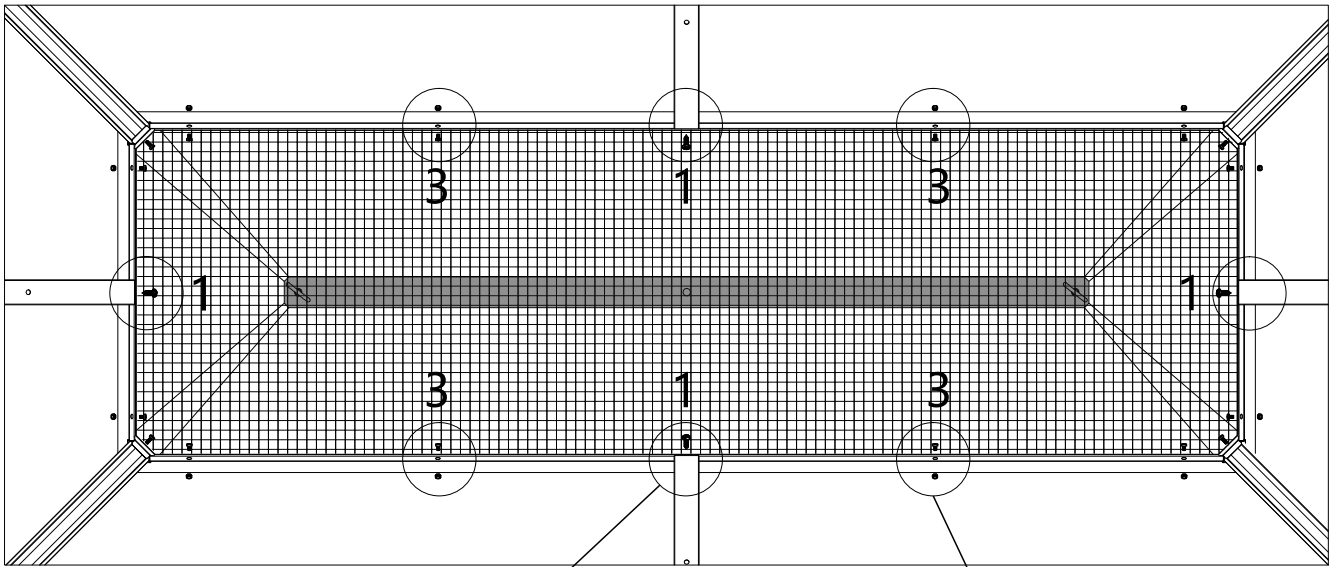
Inside View



Please do not pull plastic bar out when installing it with #N, N1 on the middle roof tube.

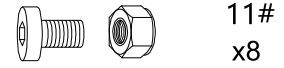
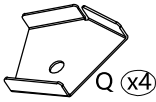


11#
x4

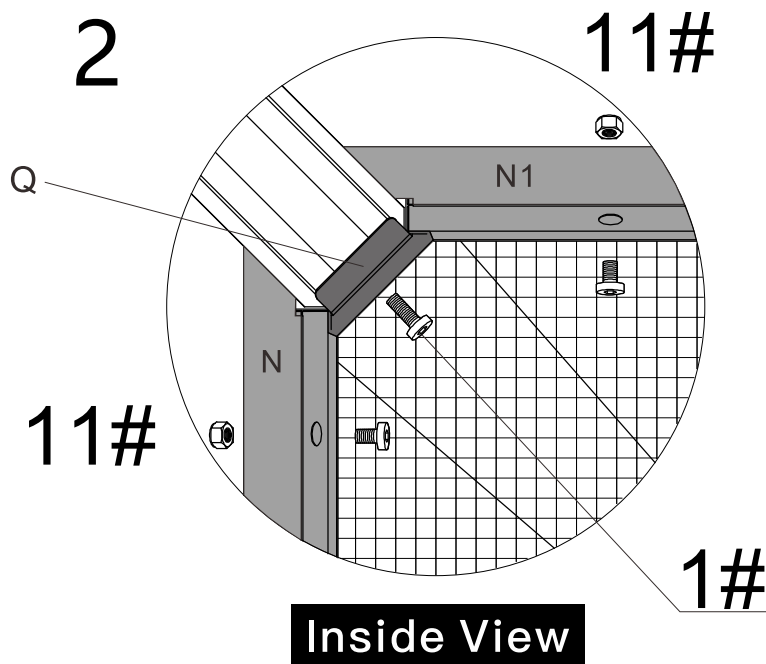
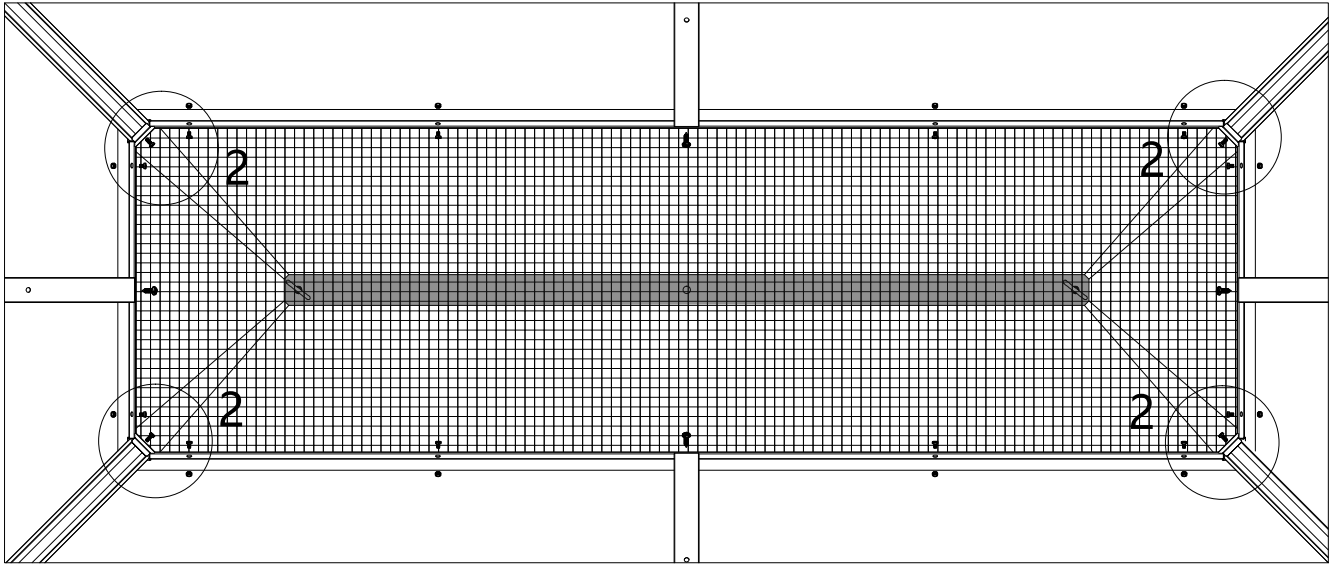


Plastic Bar in the mesh

Secure the small mesh, plastic bar and finishing bar to the middle roof tube.



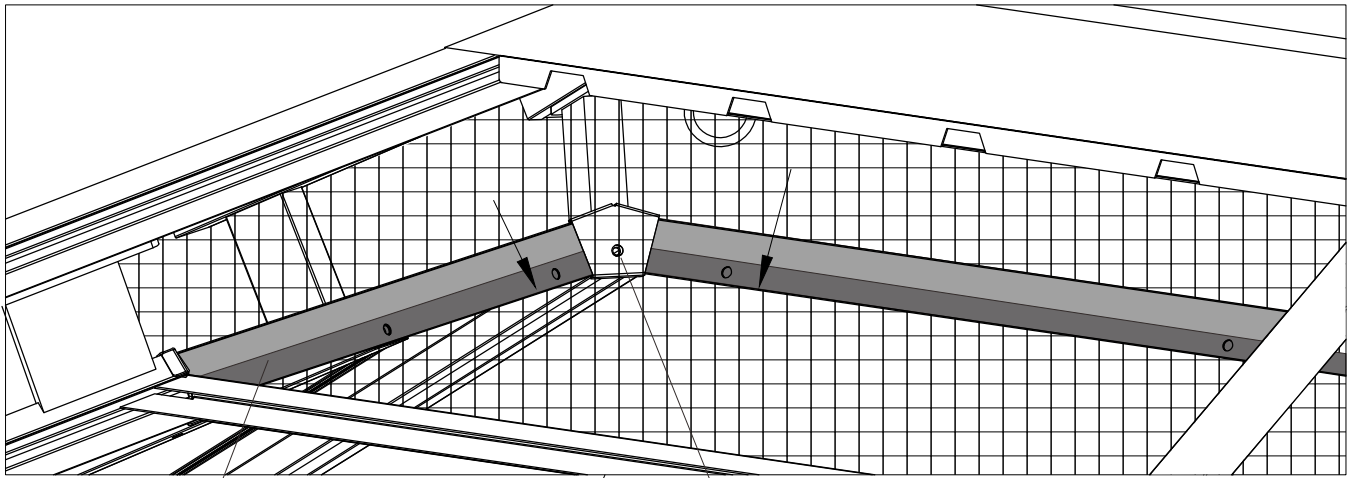
FINISHING END #Q ASSEMBLY:



- (1) use 2 bolts and nuts #11 to secure the small mesh, plastic bar to finishing bar.
- (2) Use bolt #1 to secure the small mesh and finishing end #Q to the corner roof tube.
- (3) Repeat above procedures to assemble the other 3 sides.

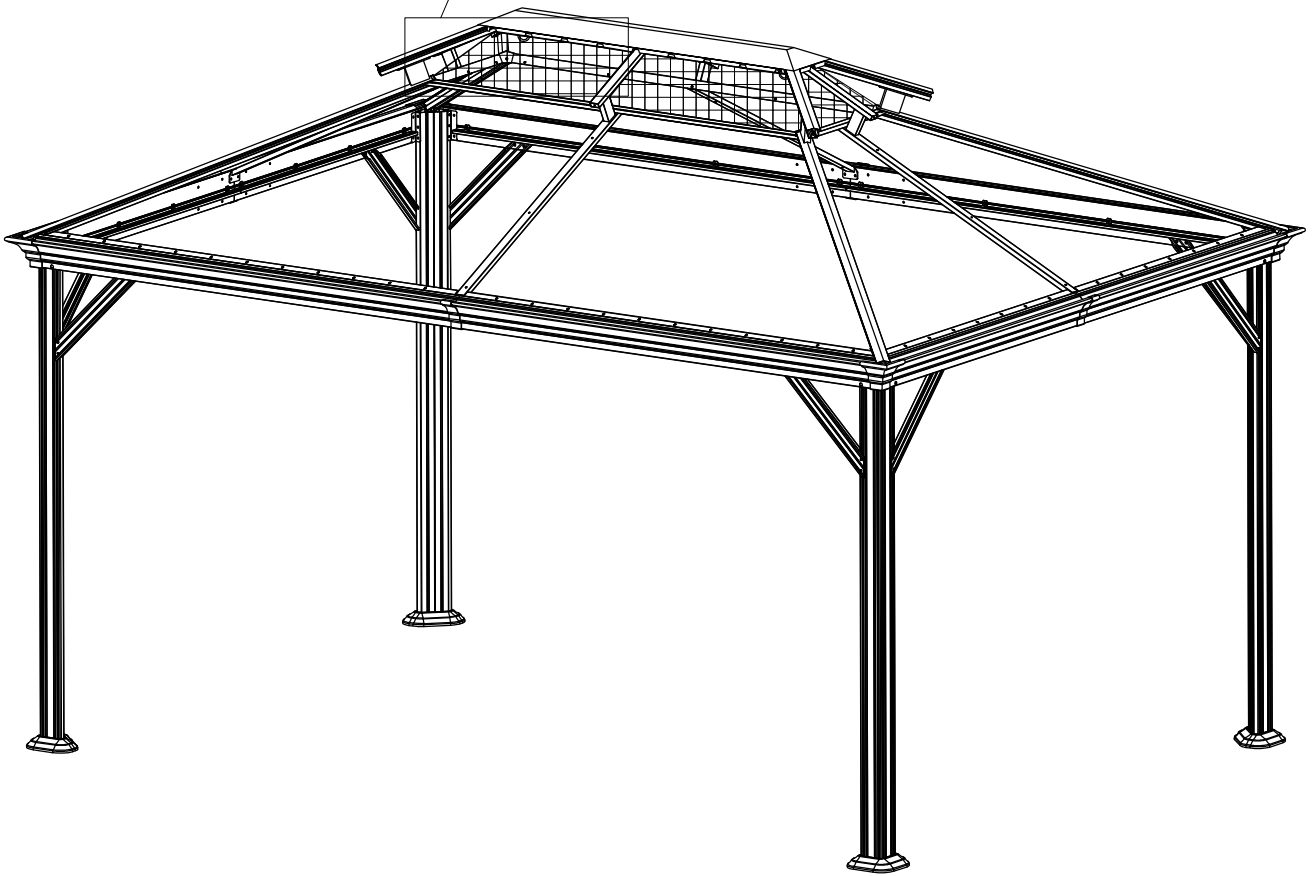
■ Plastic Bar in the mesh

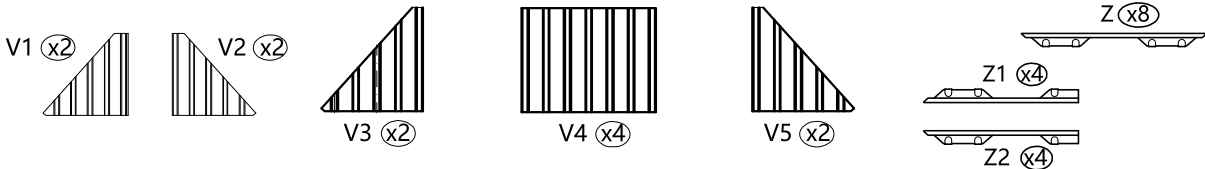
■ #N/N1



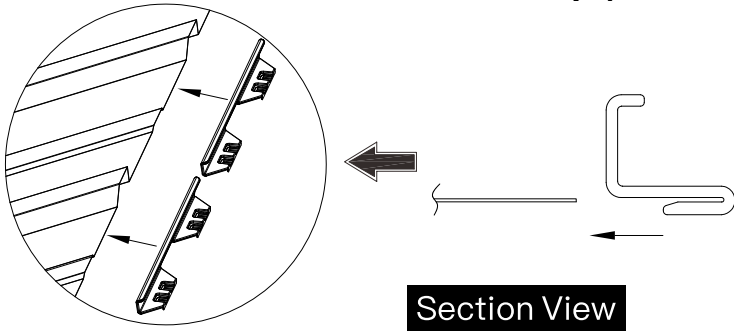
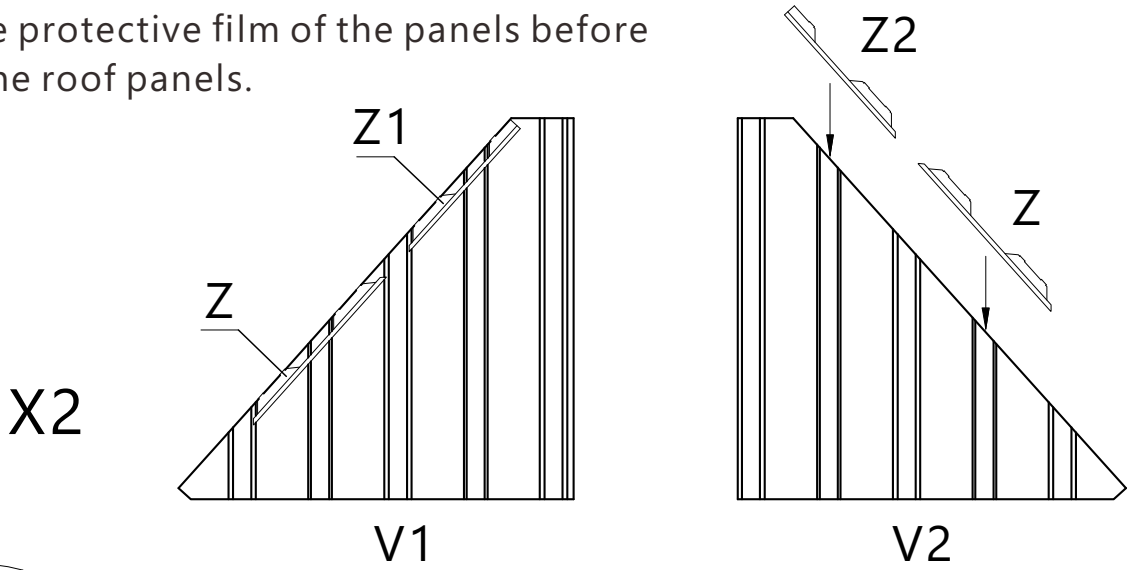
N1

Q

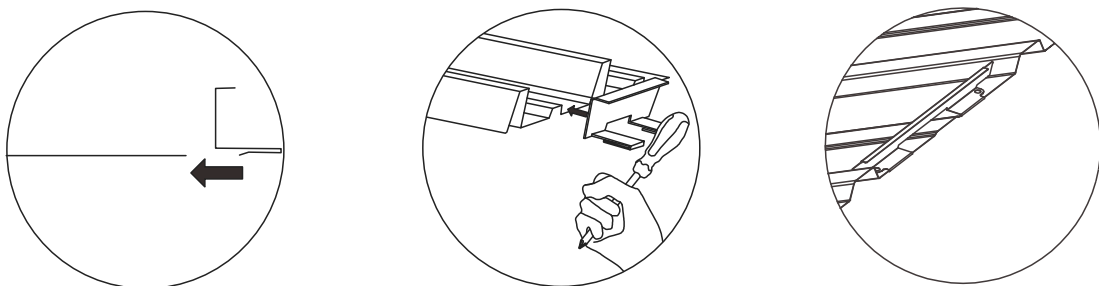
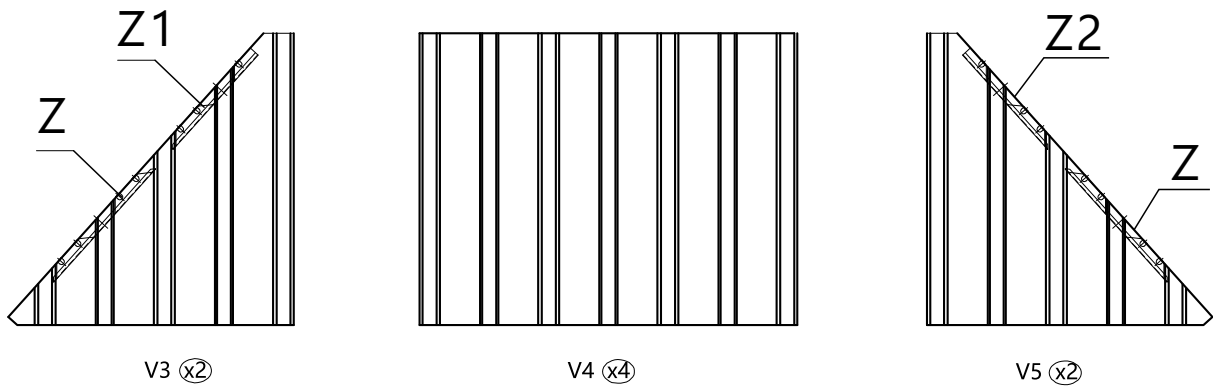




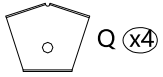
Remove the protective film of the panels before installing the roof panels.



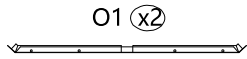
Please install Plastic Clips in strict accordance with the instructions.



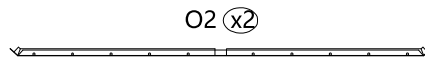
Attach Part #Z, #Z1 & #Z2 by lightly tapping with screwdriver.



Q (x4)



O1 (x2)

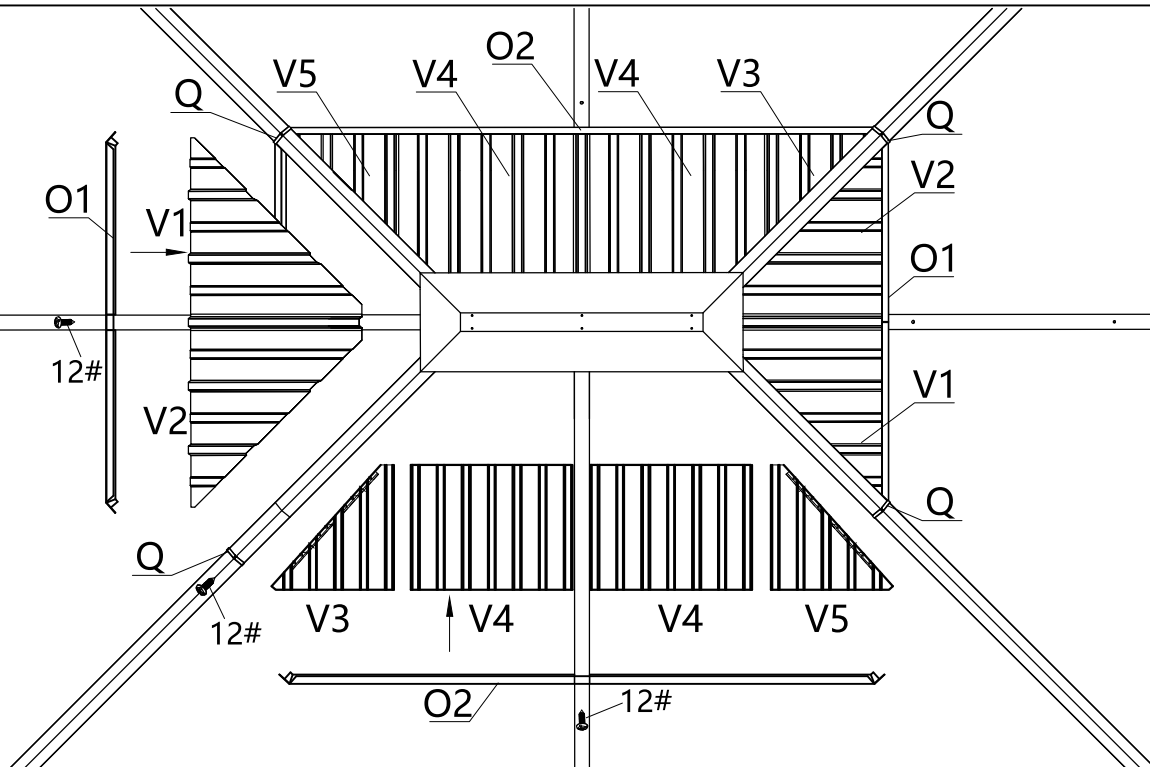


O2 (x2)

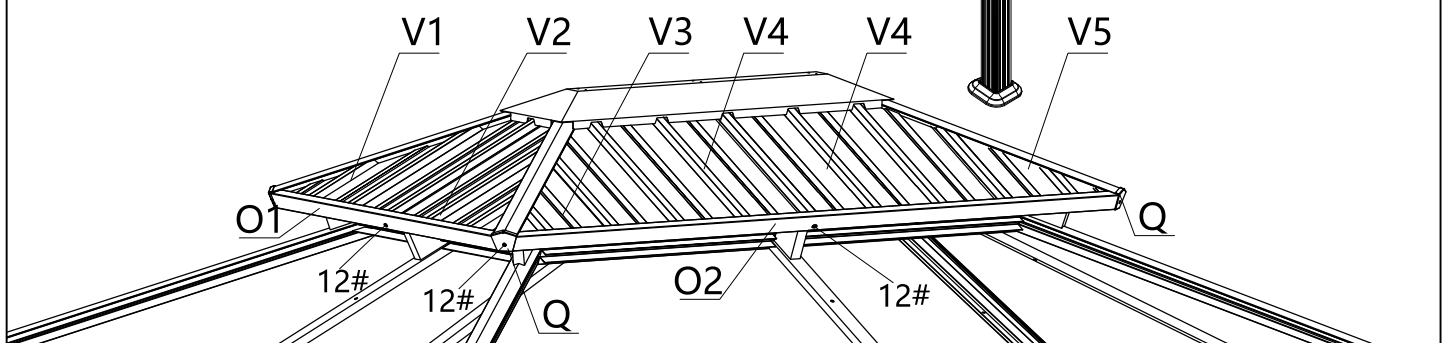
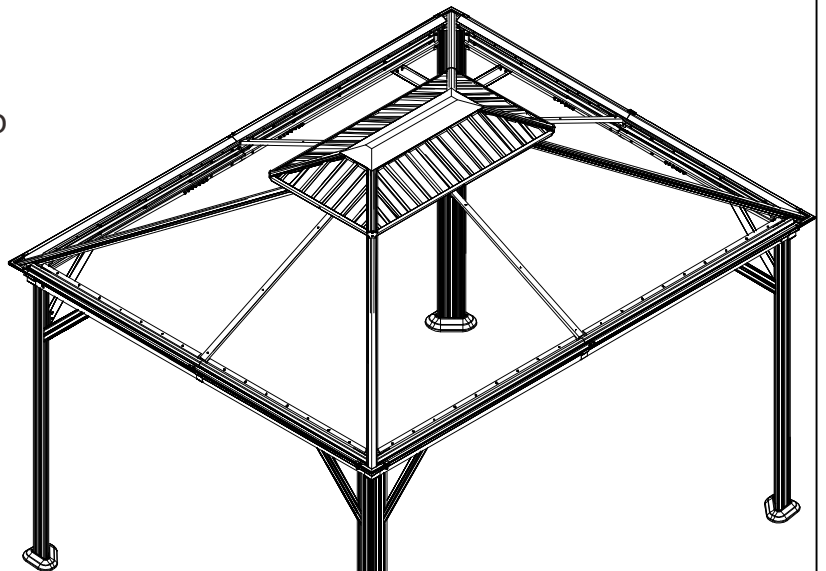


12# x8

SMALL ROOF PANEL AND FINISHING BAR ASSEMBLY:



If you can't install #V4, push the Outside Roof Cover up and try to insert them again.





U1 (x4)



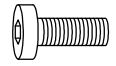
U2 (x4)



U3 (x4)

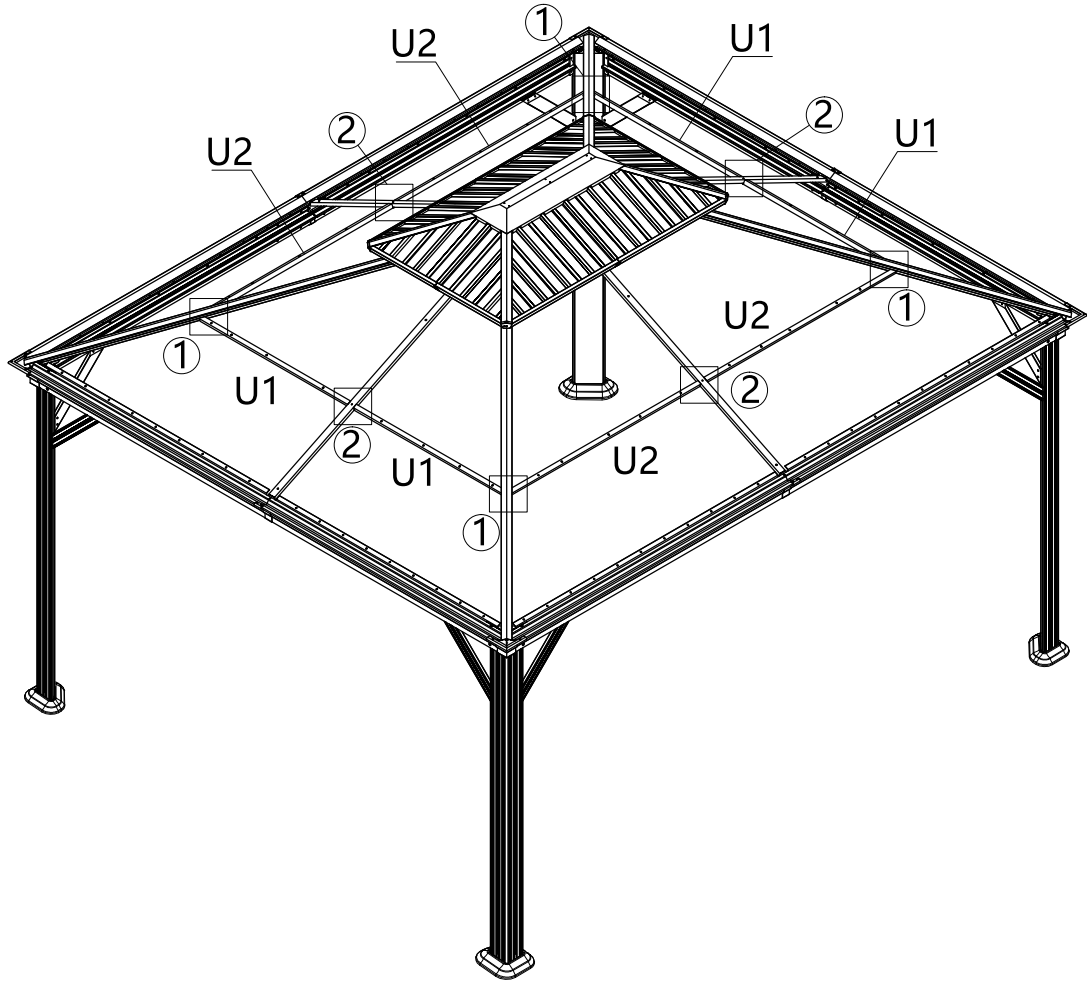


U4 (x4)

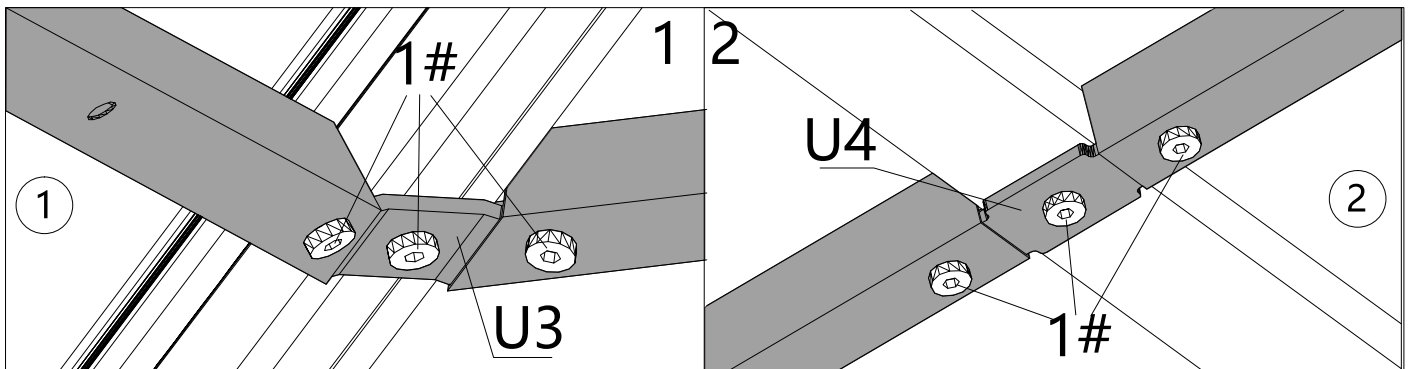


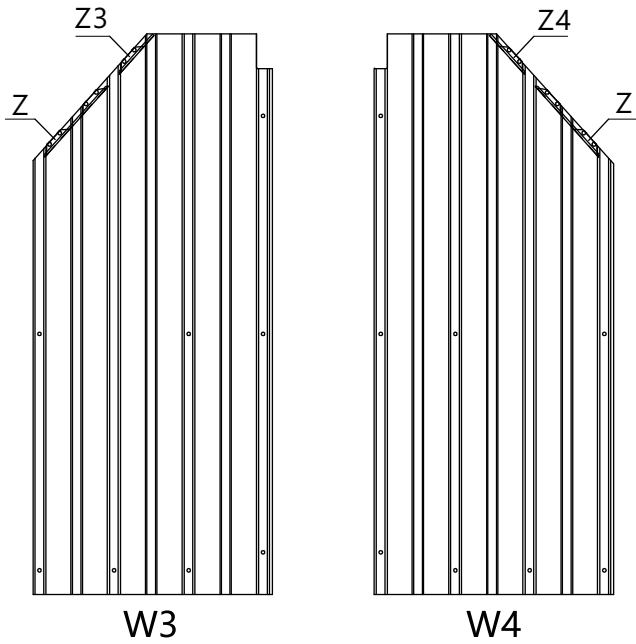
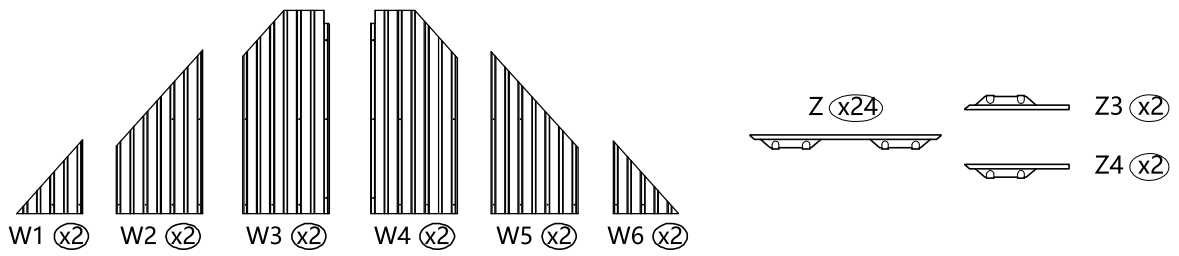
1#
x24

SOLIDIFYING BAR ASSEMBLY:



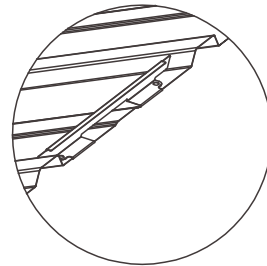
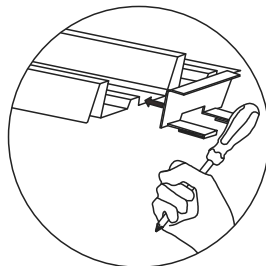
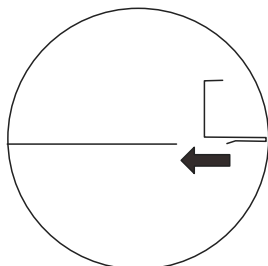
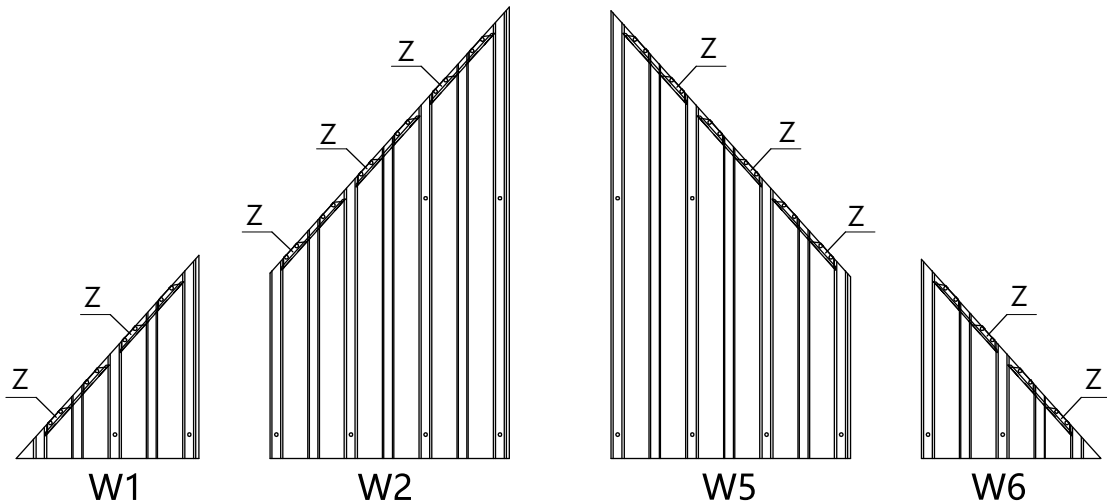
Inside View



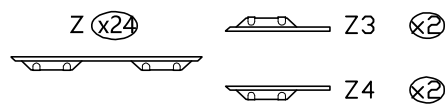
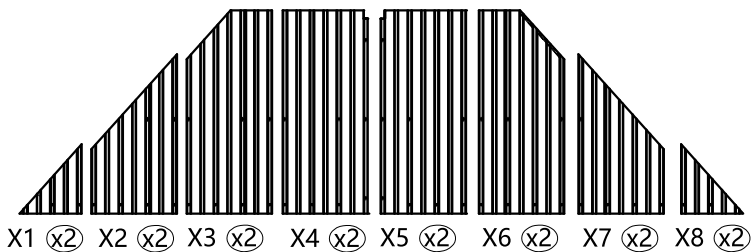


Remove the protective film of the panels before installing the roof panels.

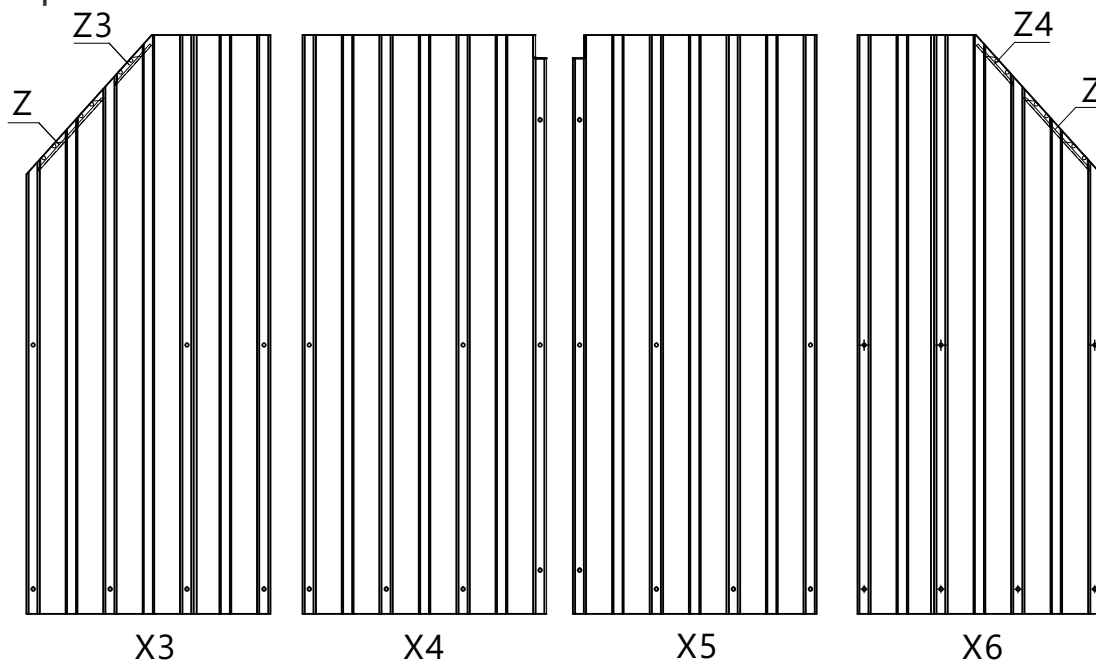
Please install Plastic Clips in strict accordance with the instructions.



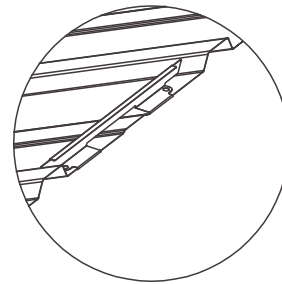
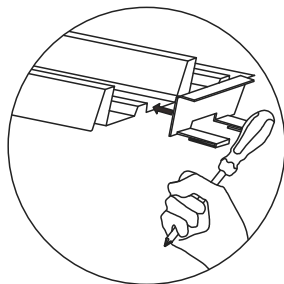
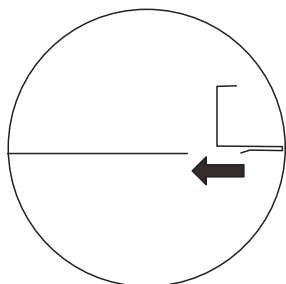
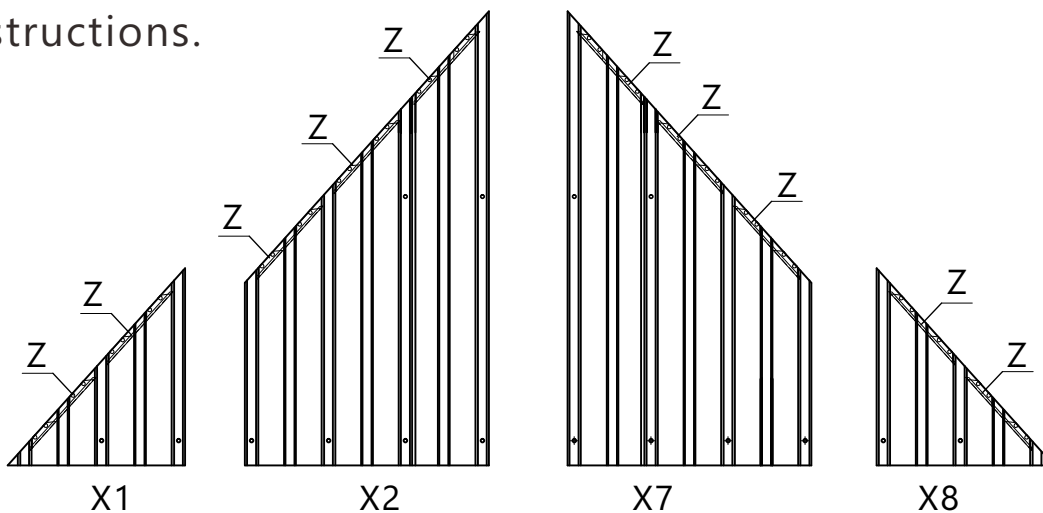
Attach Part #Z, #Z3&#Z4 by lightly tapping with screwdriver.



Remove the protective film of the panels before installing the roof panels.

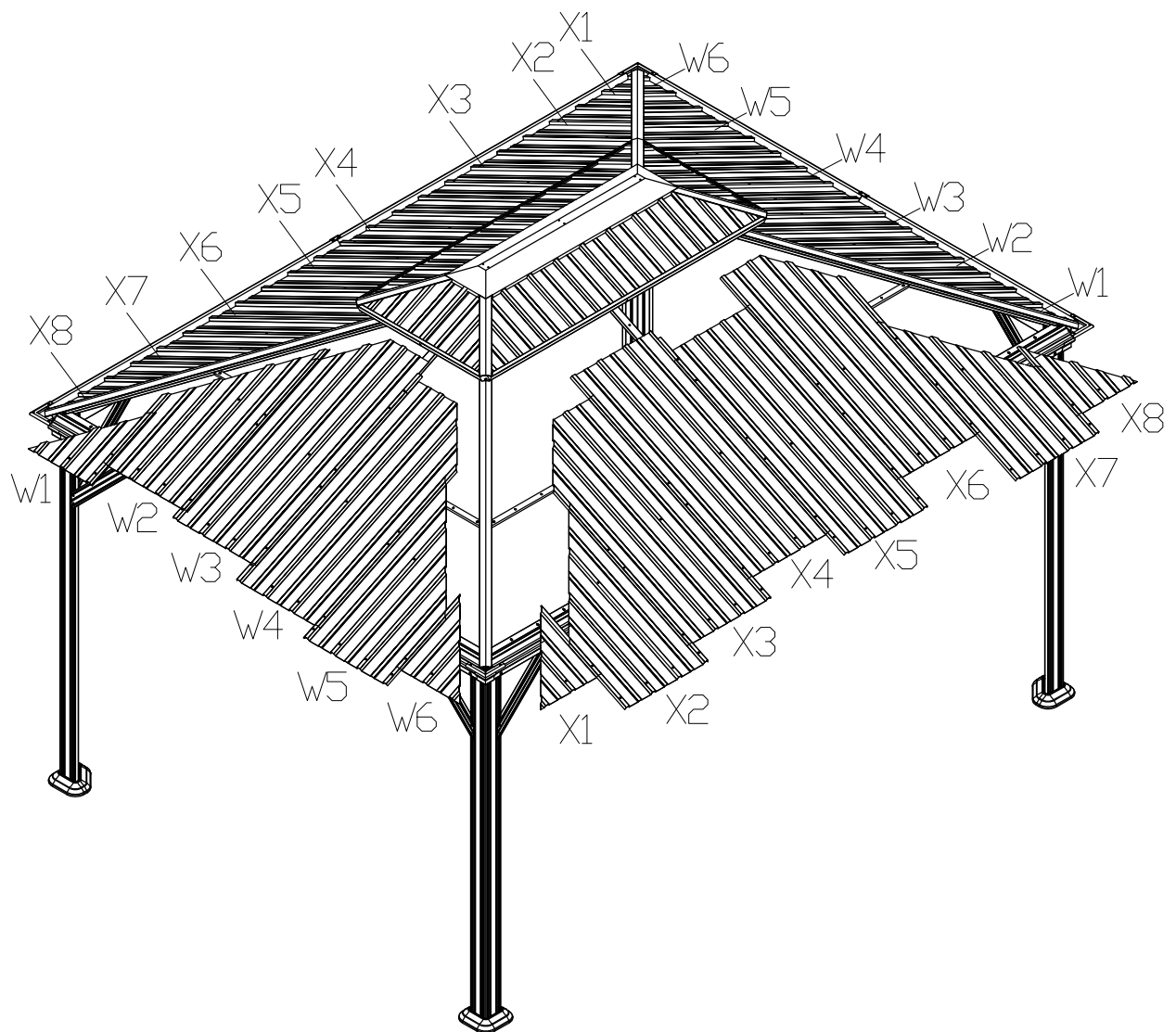


Please install Plastic Clips in strict accordance with the instructions.

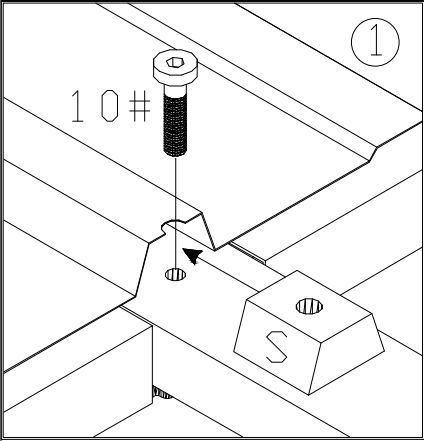
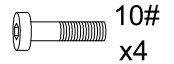
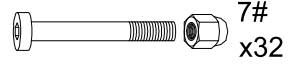
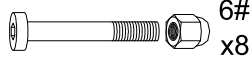
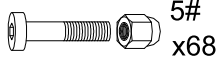
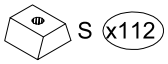


Attach Part #Z, #Z3&#Z4 by lightly tapping with screwdriver.

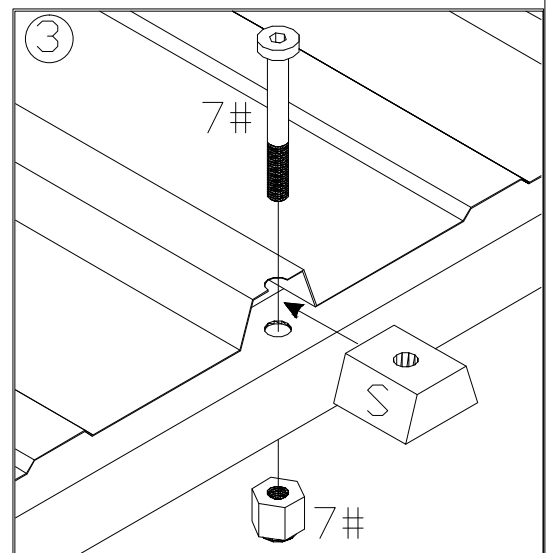
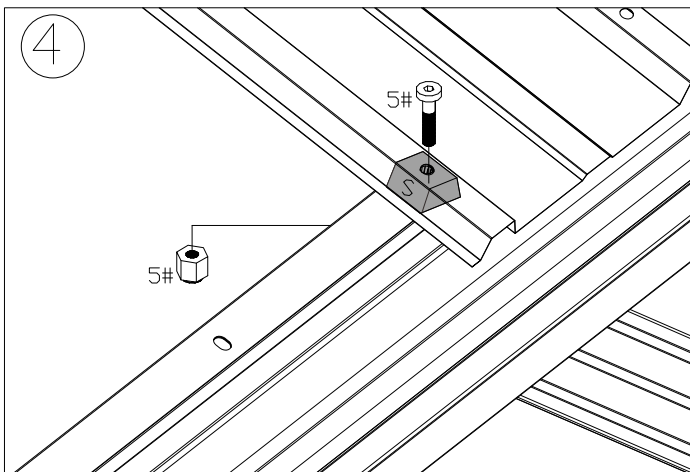
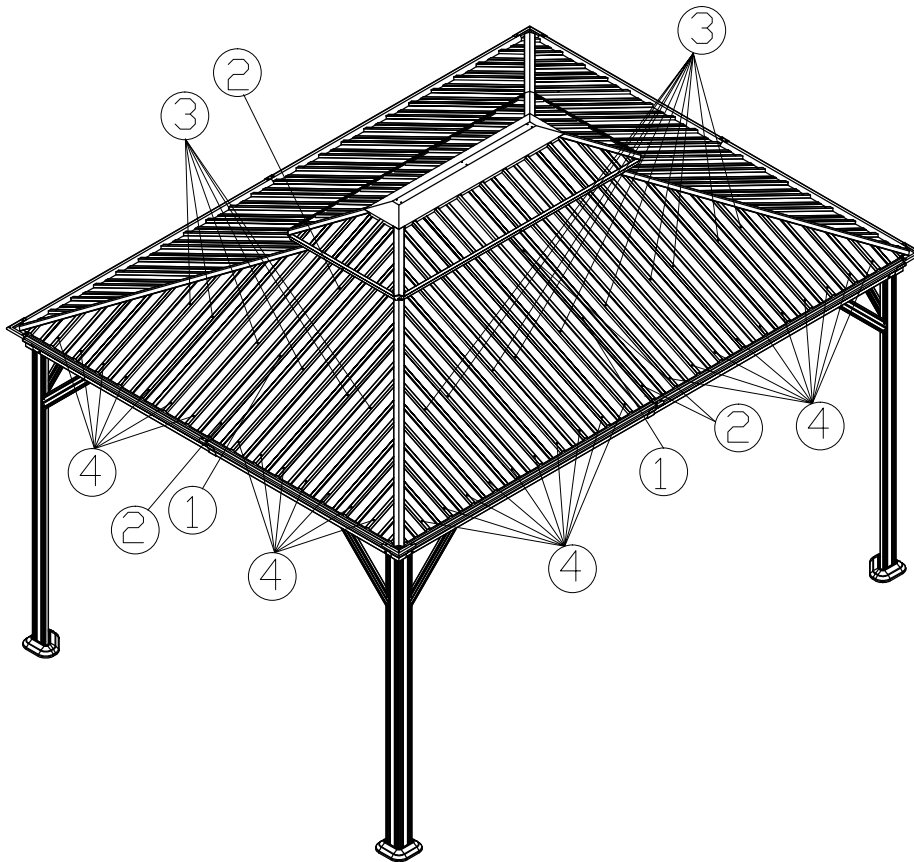
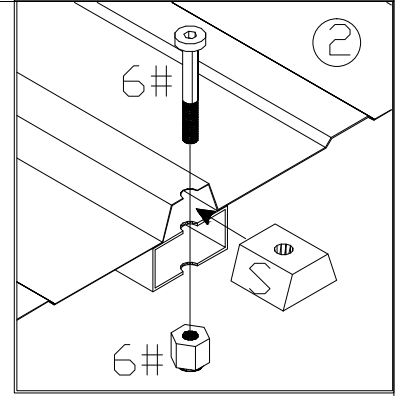
Install the Middle Panels (#X4 ,X5 or #W3,W4) first, then the small panels on the edge.



The Rubber Spacer#S should be assembled when installing the roof panels; please see the next page.

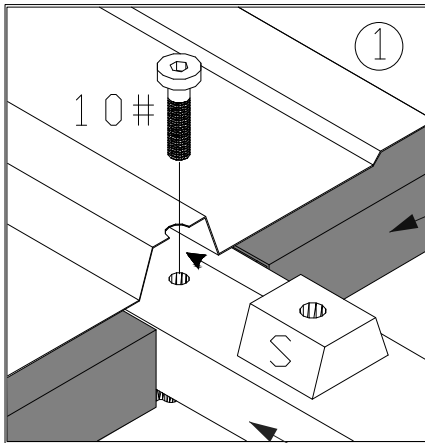


The Black Rubber #S should be inserted between roof panels and solidifying bars or beams, then secure with bolts and nuts.



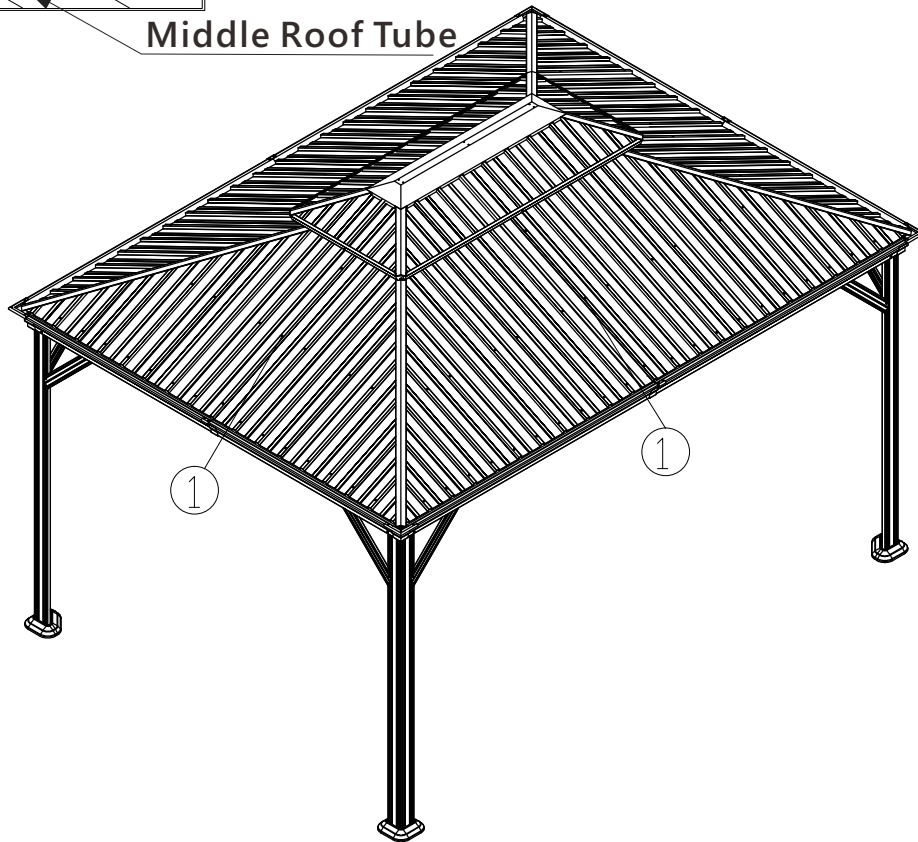
S x4

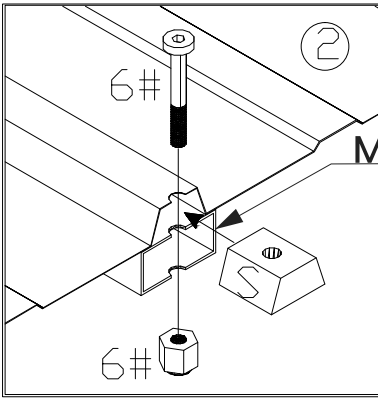
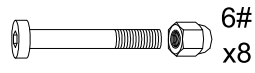
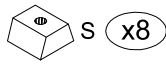
10#
x4



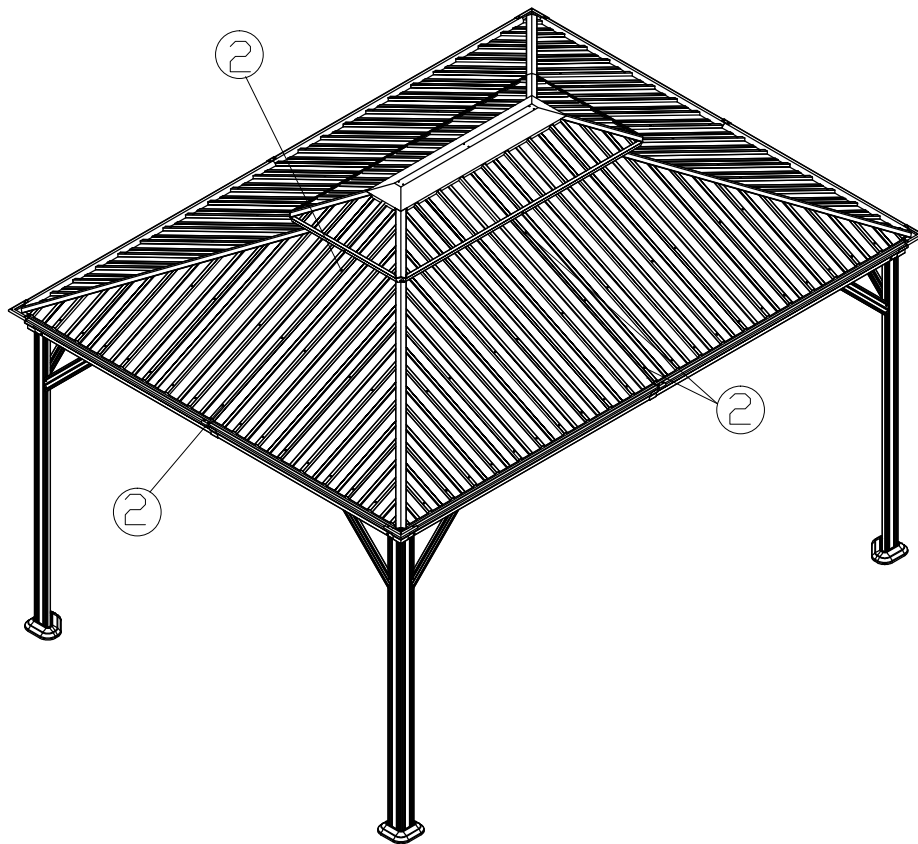
Solidifying Bar

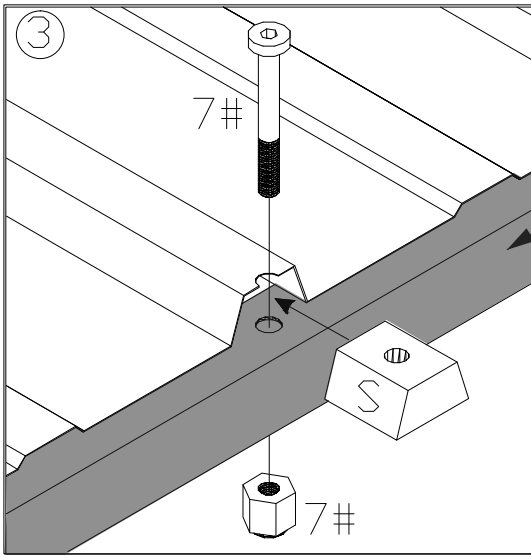
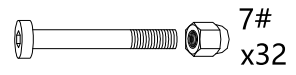
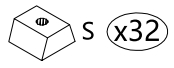
Middle Roof Tube



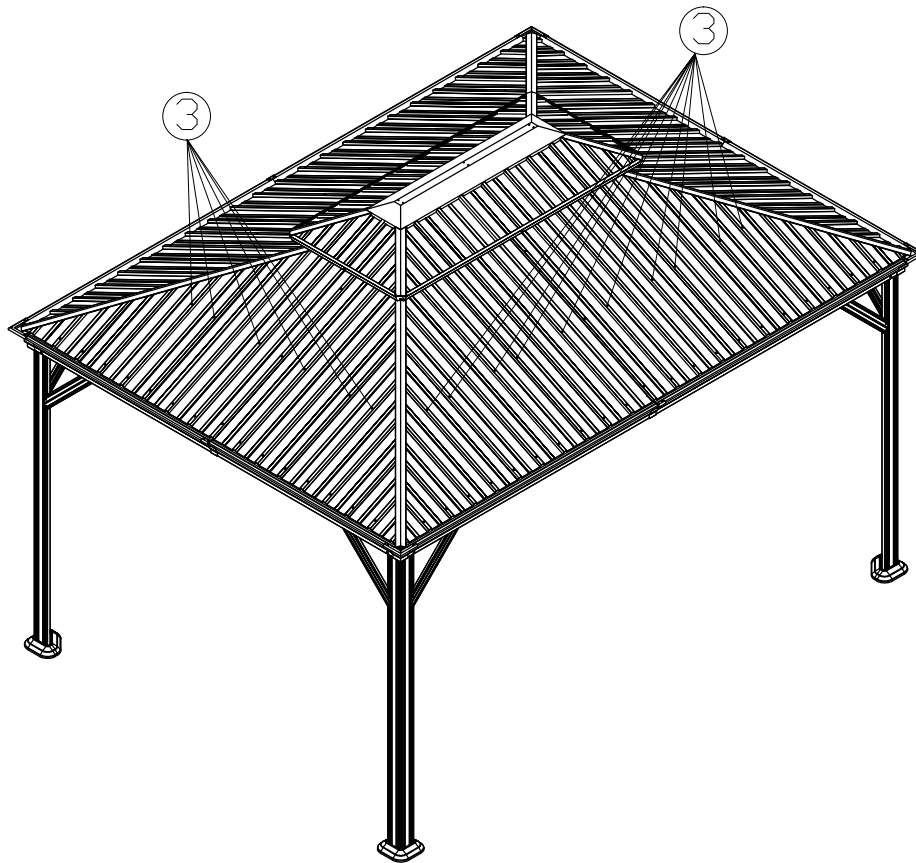


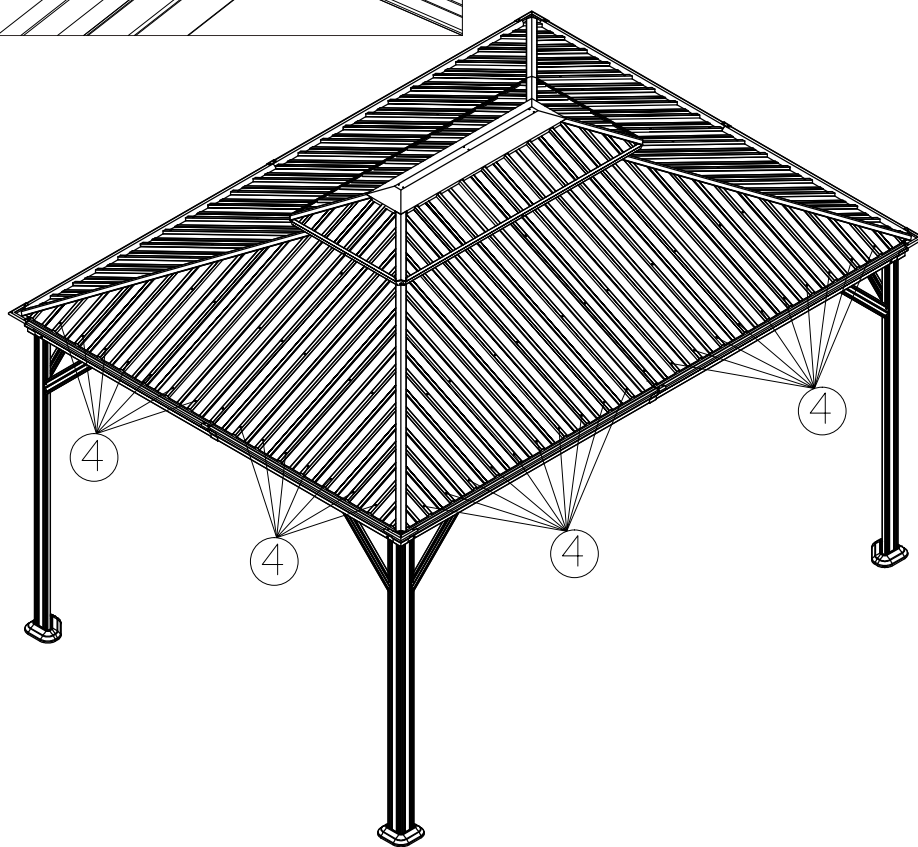
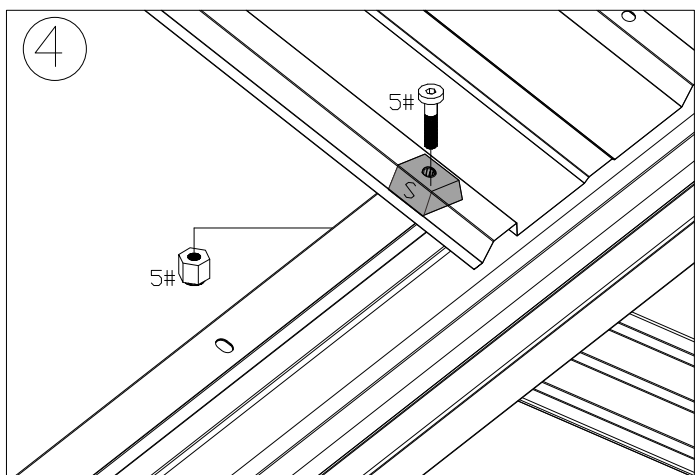
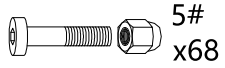
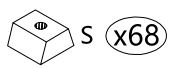
Middle Roof Tube

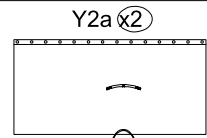
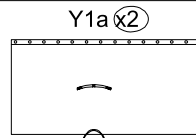
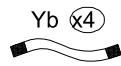
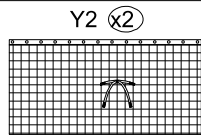
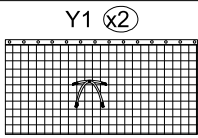




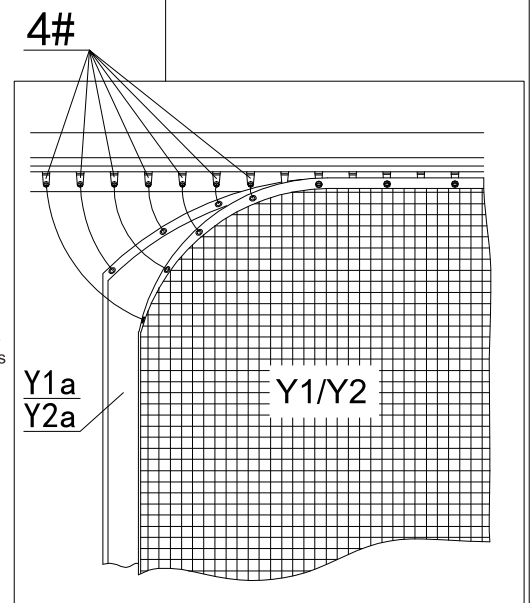
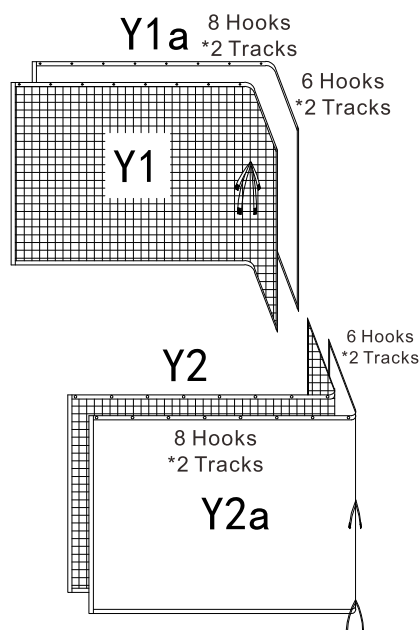
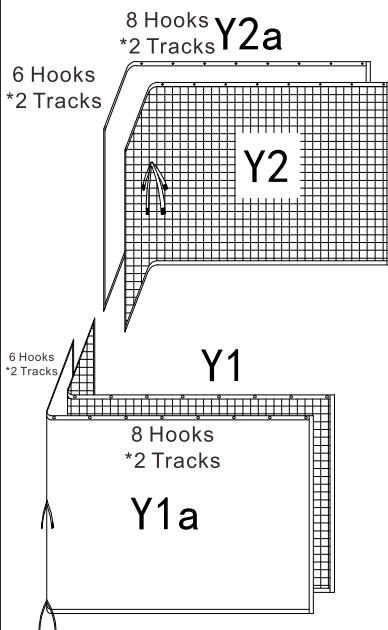
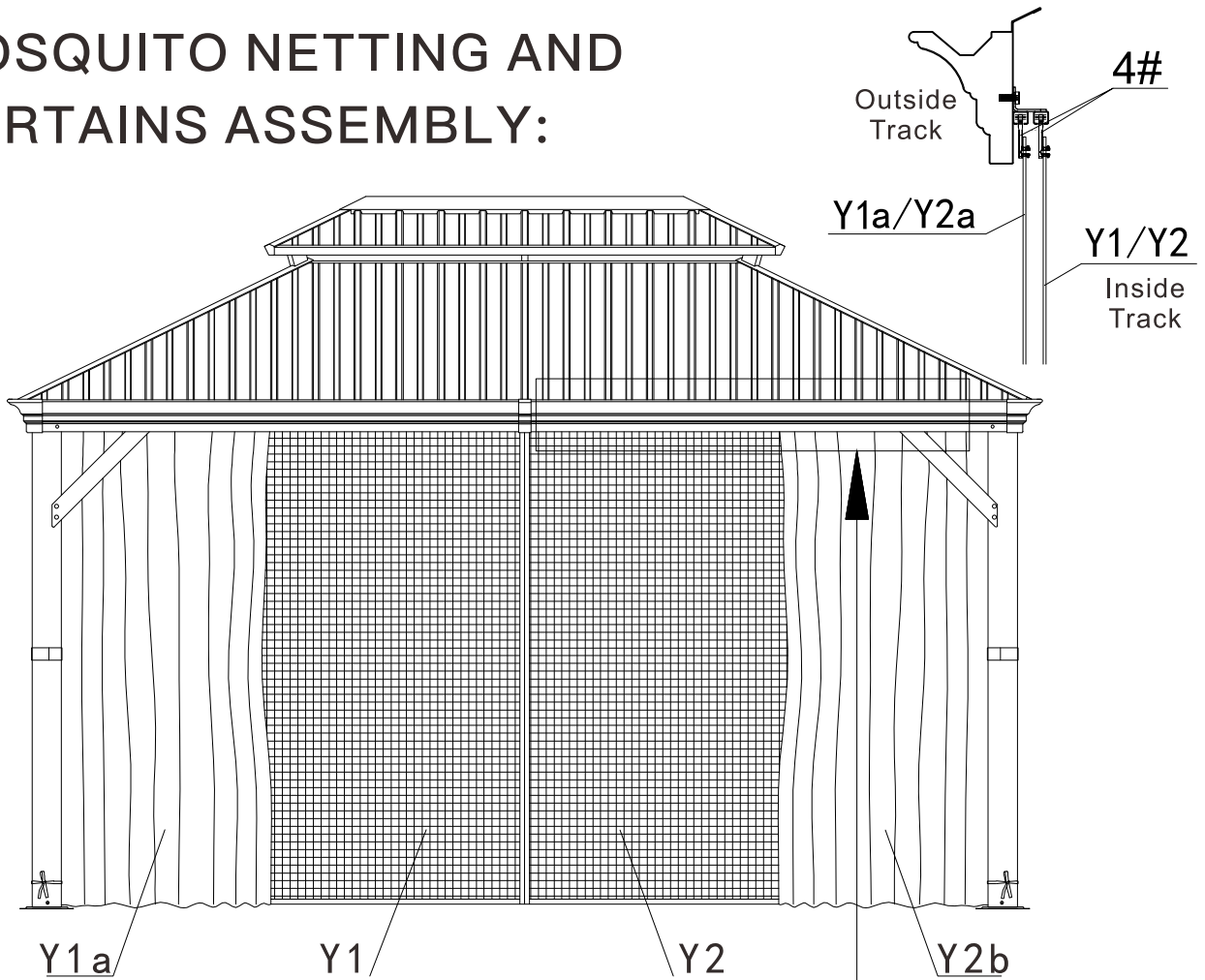
Solidifying Bar



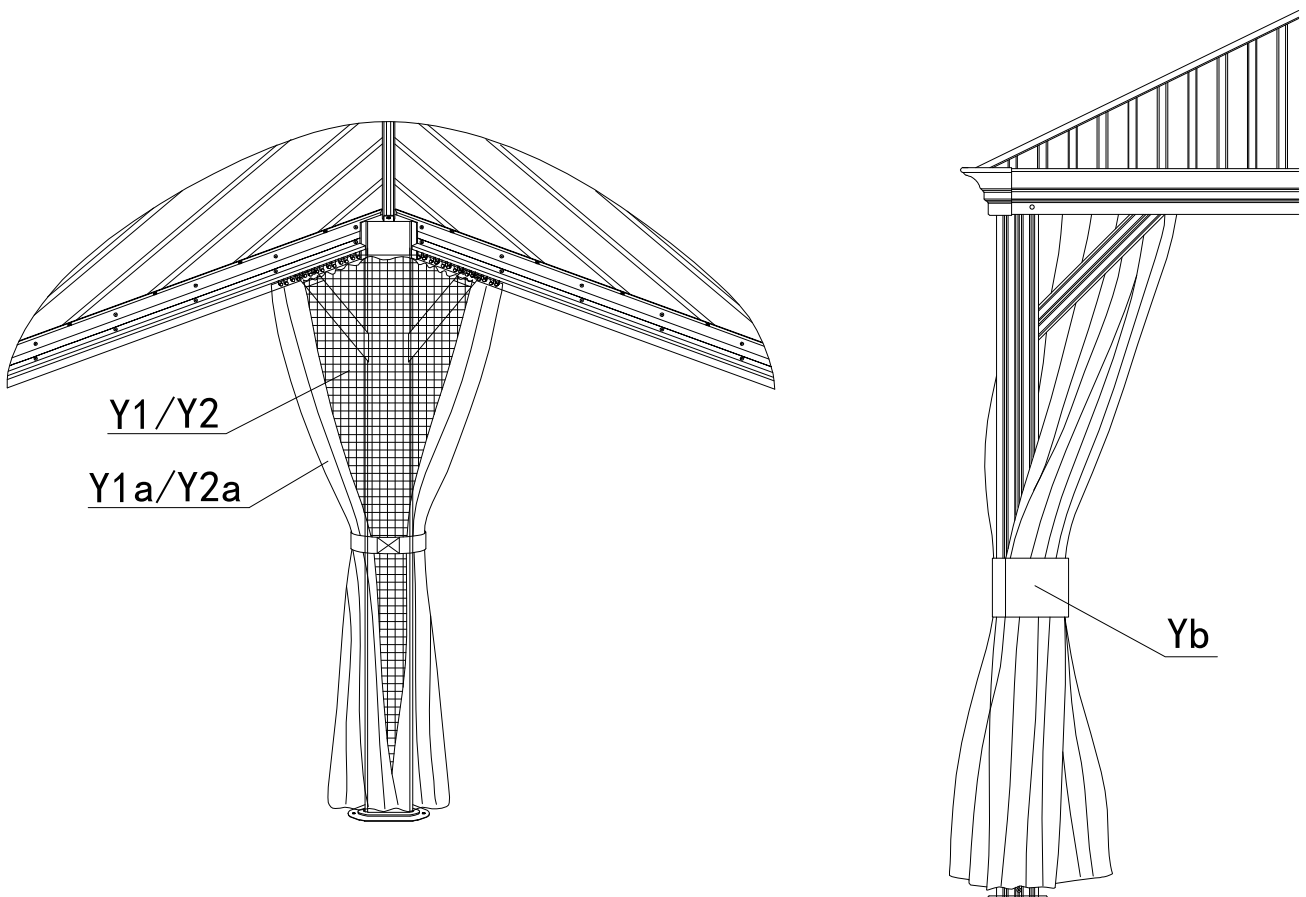
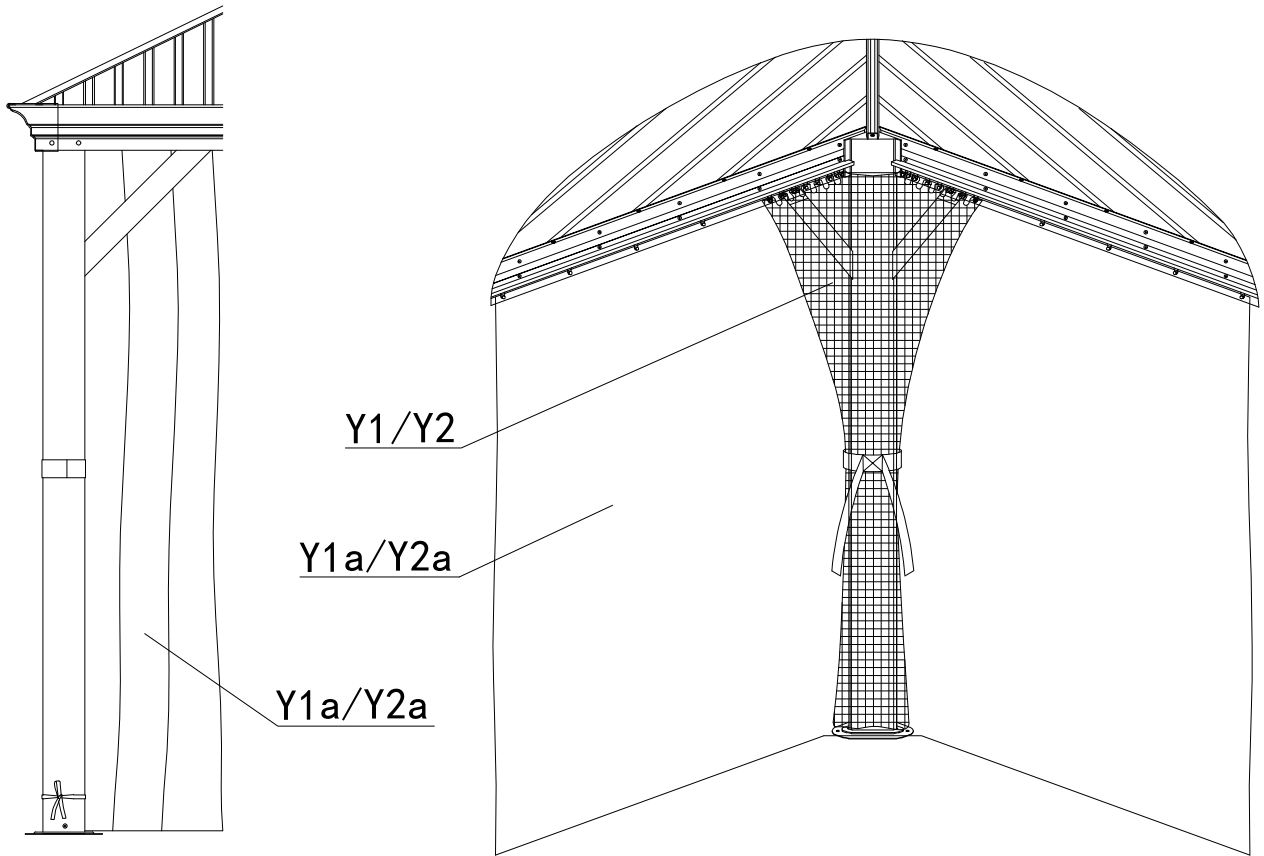




MOSQUITO NETTING AND CURTAINS ASSEMBLY:



Please open your gazebo curtain when it is incoming over 30 mph wind, and tie with Strap #Yb.





Thanks for your purchase.

At domi outdoor living, we believe in our products.

That's why we provide a 12-month warranty and friendly, easy-to-reach after-sales service. So, if you have any questions about our product or assembly, please feel free to contact us. We are here for you.

Support:  

After-sales contact email:

service@domioutdoorliving.com

Business cooperation contact email:

marketing@domioutdoorliving.com

Please have your order ID available if you reach out for support.

If you have damaged parts or product, please send us photos for an immediate response.