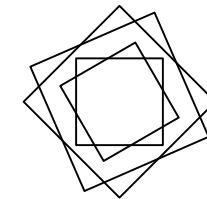
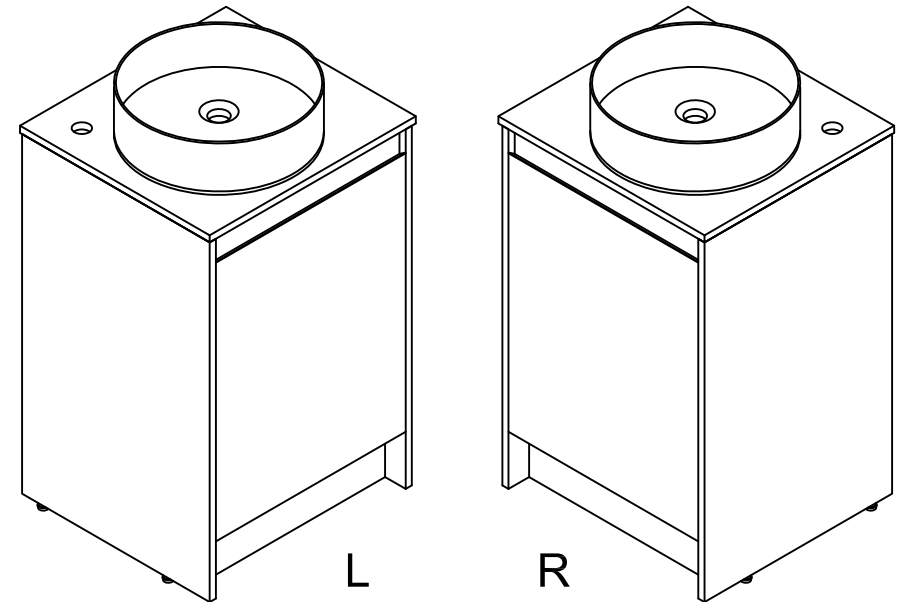


THANKS FOR WATCHING

Your feedback is invaluable to us and we would love to hear about your experience. Please take the time to leave us a review.



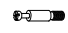





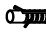

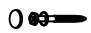




Thank you for shopping with us!

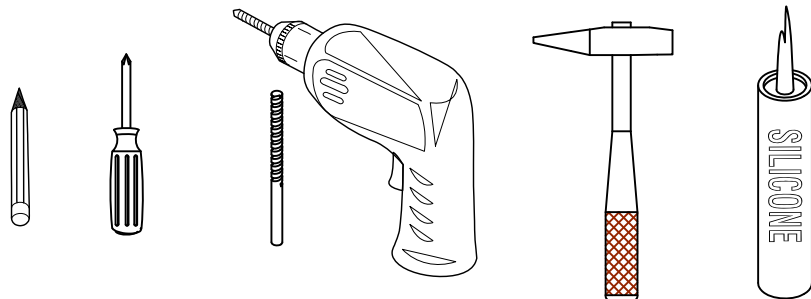
We encourage you to take a few minutes to go through this booklet. It contains important information on installation and care tips to keep your furniture looking as good as new.

Item NO.:BV B120 F20

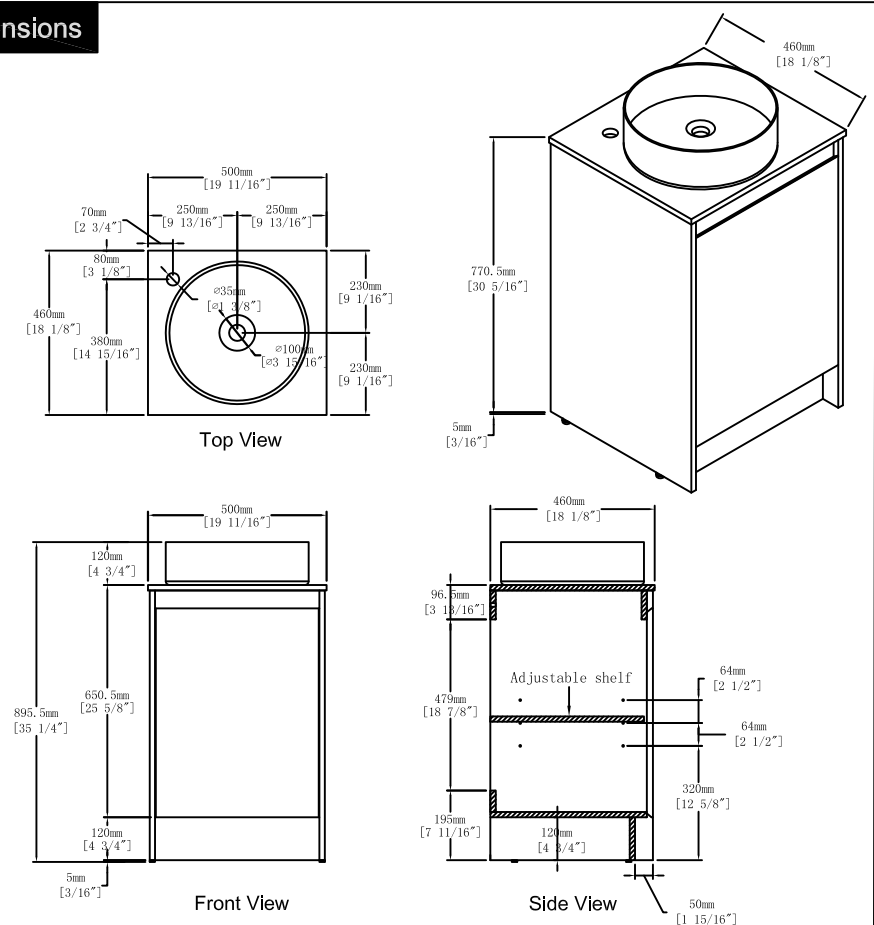
Hardware

NO.	Draw	QTY	NO.	Draw	QTY
A	 Screws Ø4x14mm	32	H	 Bracket (19x19x35mm)	2
B	 Two-in-one connector	24	I	 Hinges(Internal hiding)	2
C	 Two-in-one connector	24	J	 Adjustable feet	4
D	 Wood plug	4	K	 Movable laminate support	4
E	 Plastic anchor(Ø10mm)	2	L	 Anti-collision gasket	2
F	 Screws for fix on the wall	2	M	 Screwdriver	1
G	 Bracket (53x70x44mm)	2			

Recommended tools



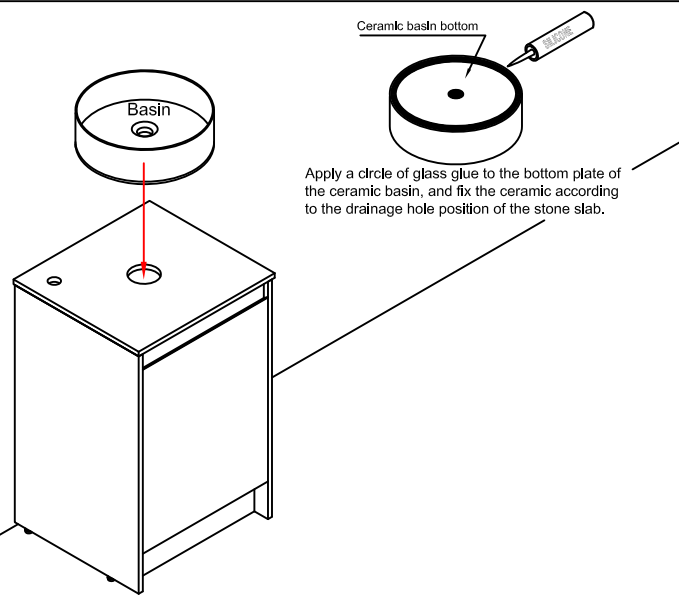
Dimensions



CARE CLEANING AND MAINTENANCE

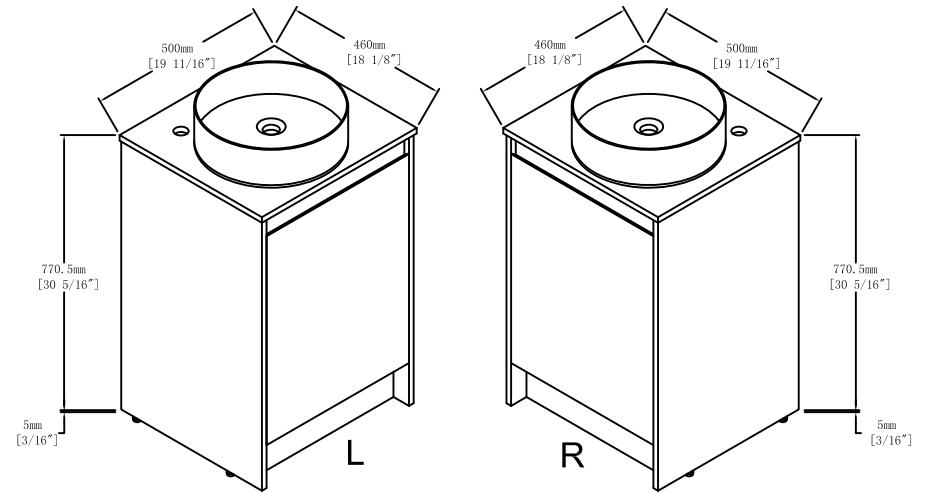
1. Dust regularly with a soft , dry cloth.
2. Avoid the use of all chemicals household cleaners, abrasives, or cleaners that contain lemon, vinegar, or other acids that may damage the finish.
3. Excessive exposure to sunlight and extreme changes in temperature and moisture can damage wood furniture.
4. The sink is fragile, please pay attention to maintaining its appearance.
5. Do not place hot appliances, such as curling irons and hot hair dryers directly on the countertop. Wipe spills immediately.

Step 14



The specific basin type is subject to your purchase order.

Dimensions

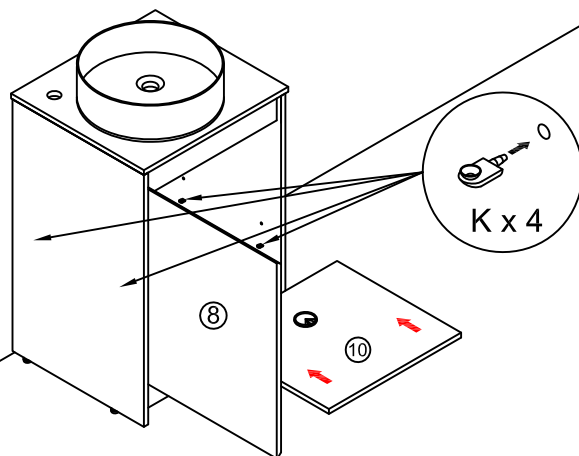
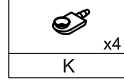


Note:

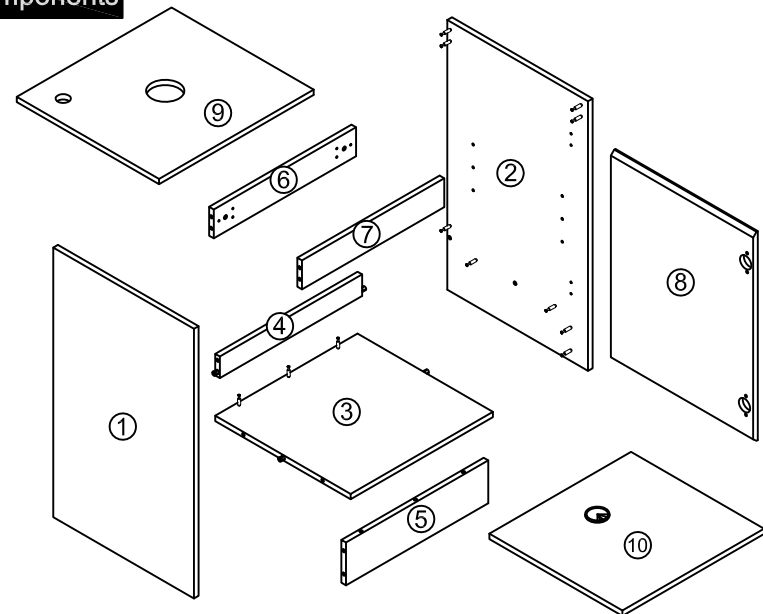
The opening direction of the door panel and the faucet hole on the countertop can be selected to the left or right according to one's own needs.

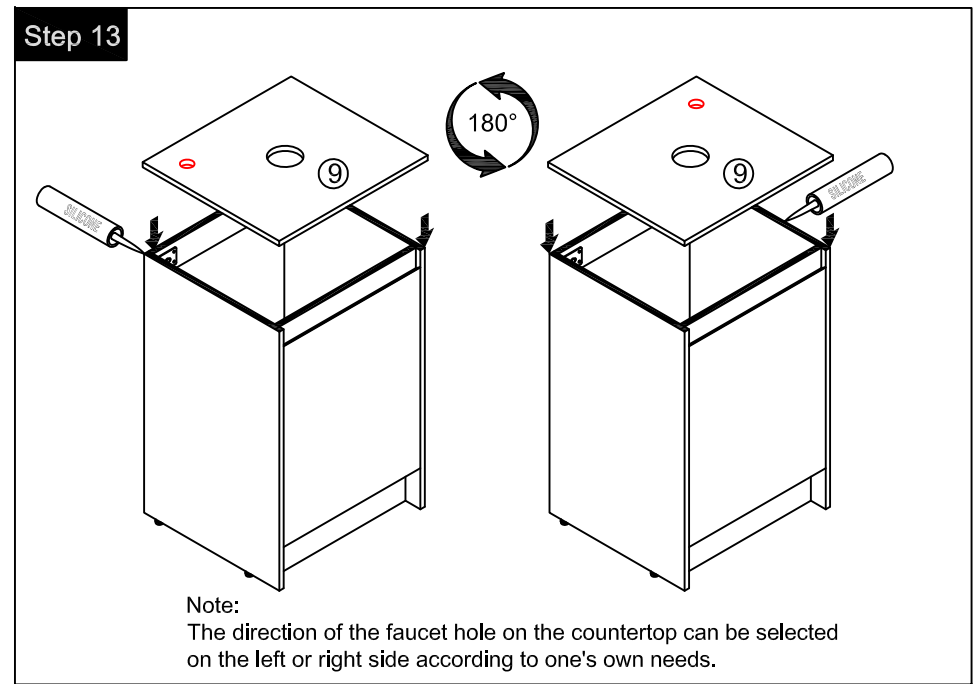
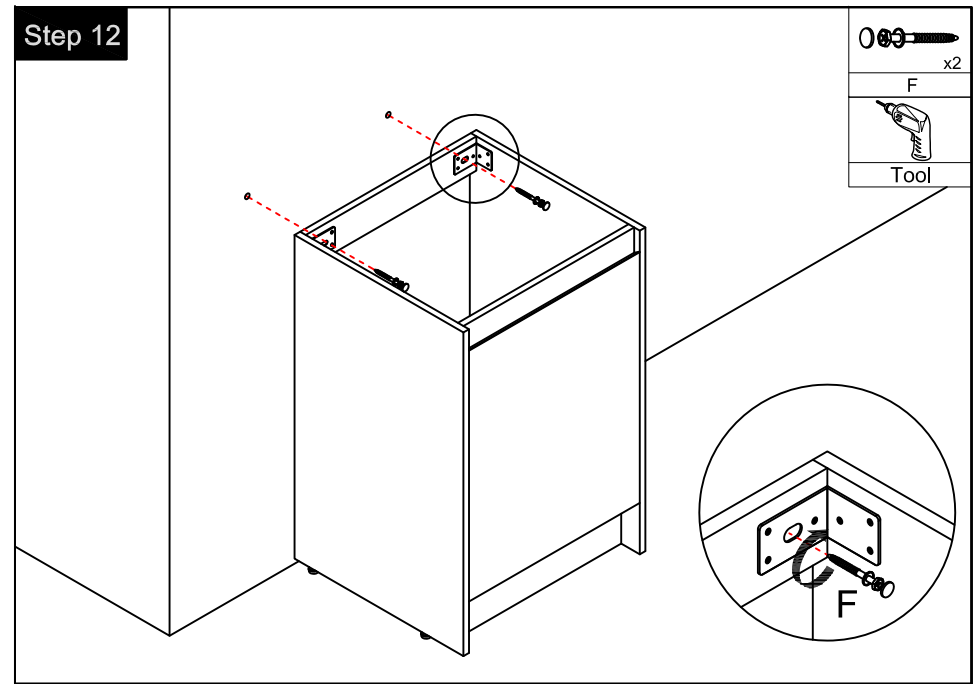
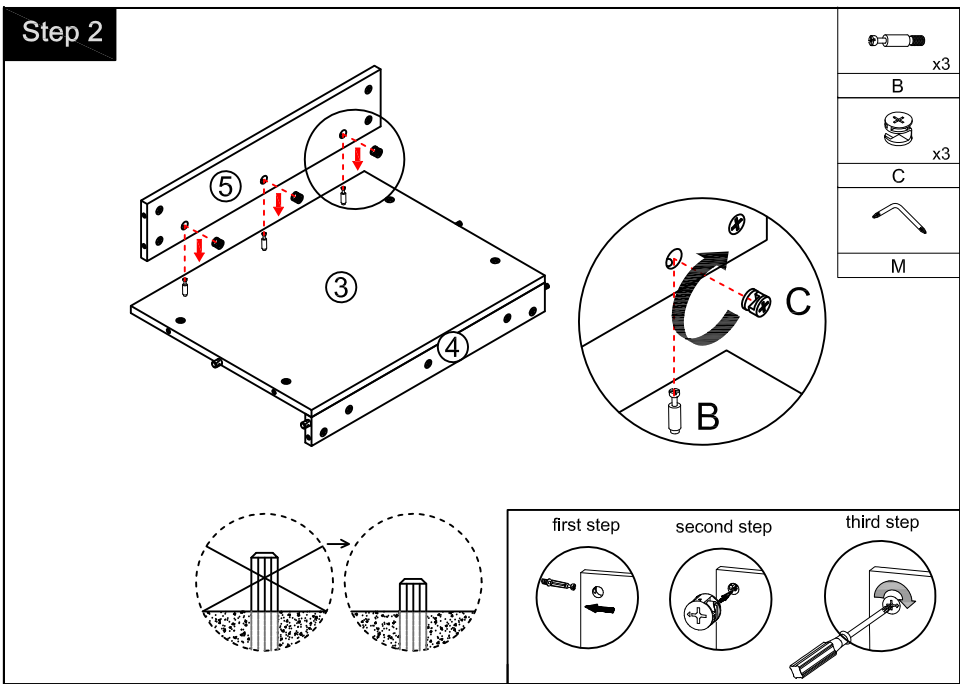
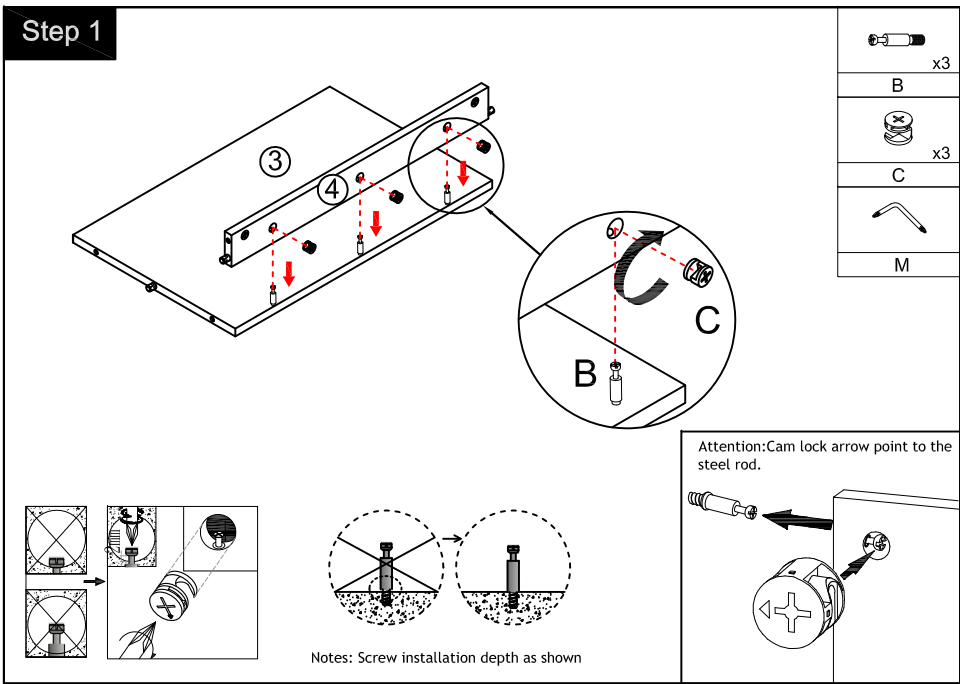
Finished

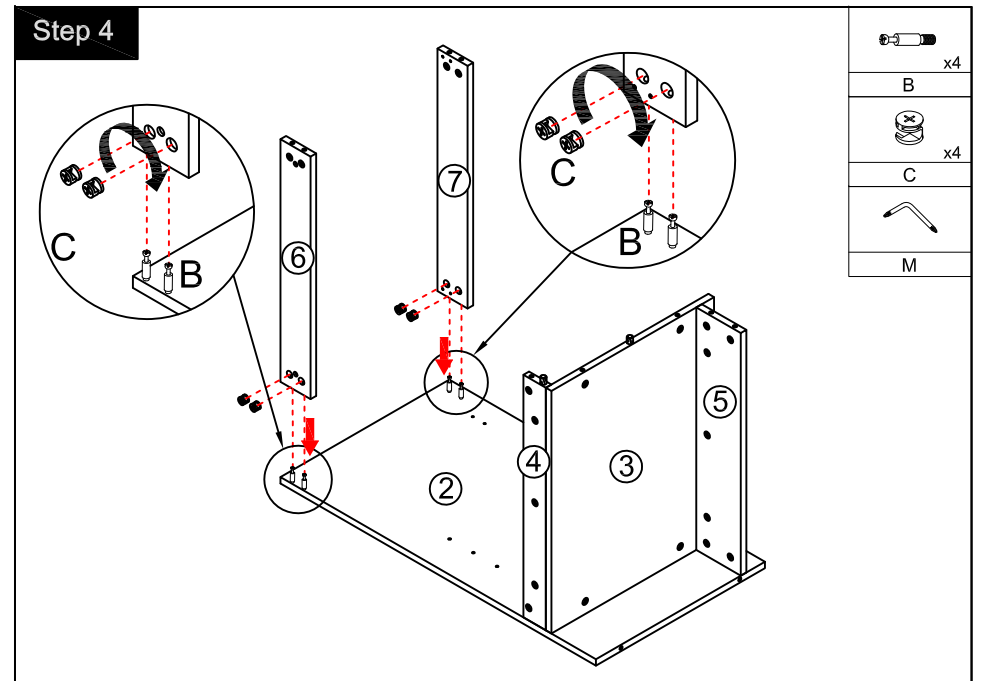
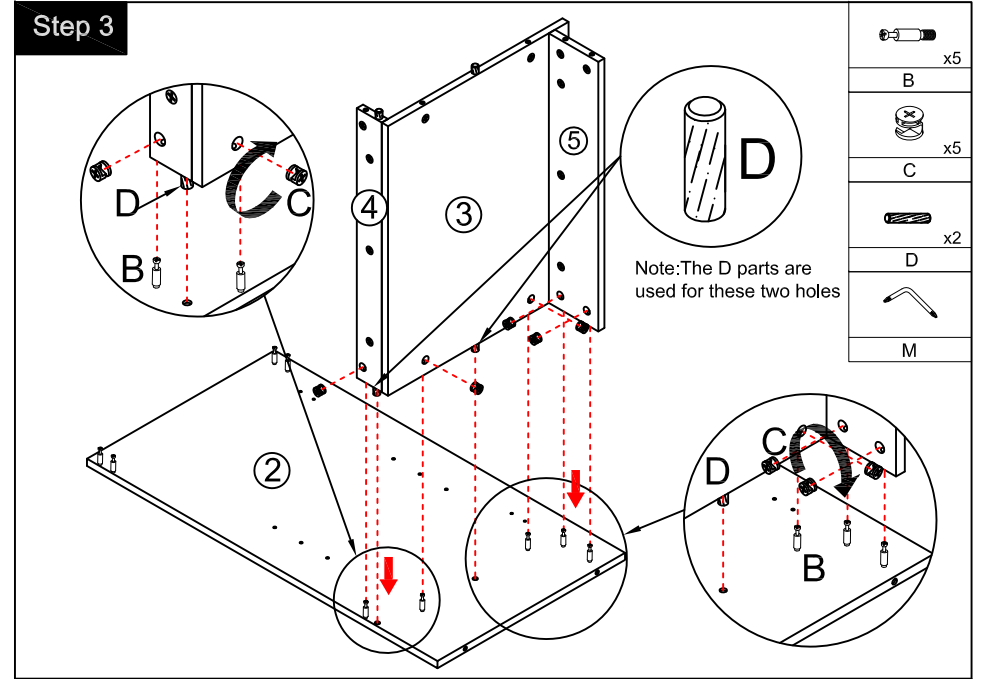
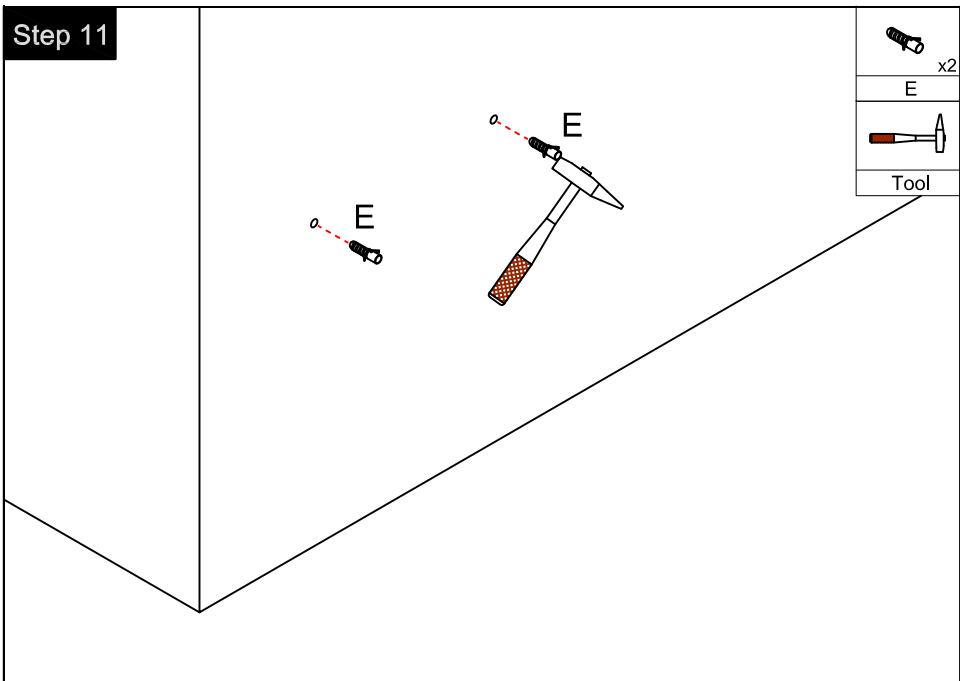
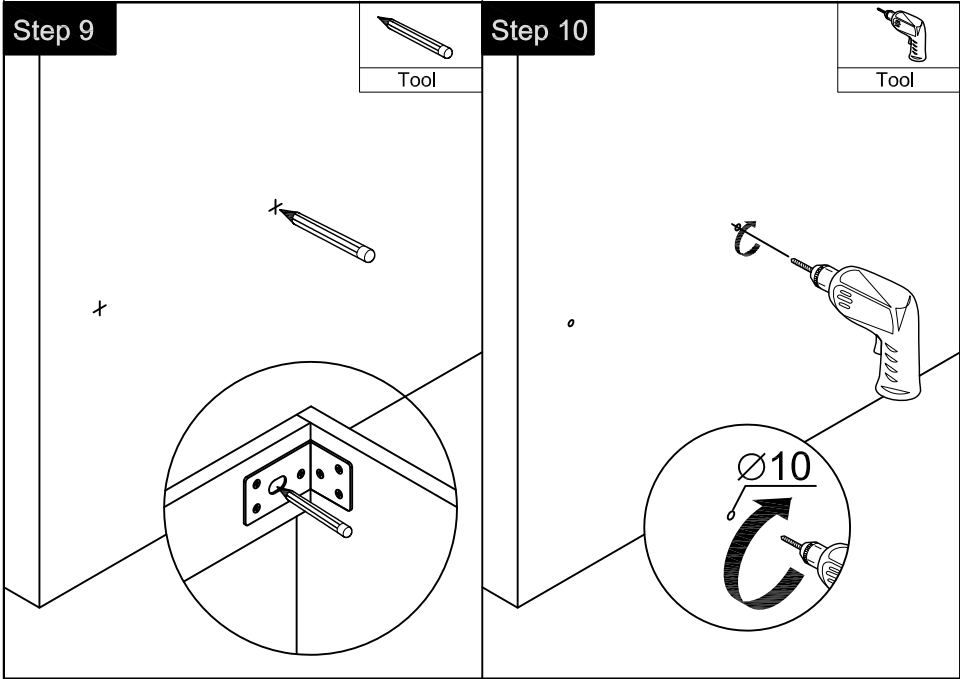
Note:
The installation position can be selected according to the required height.



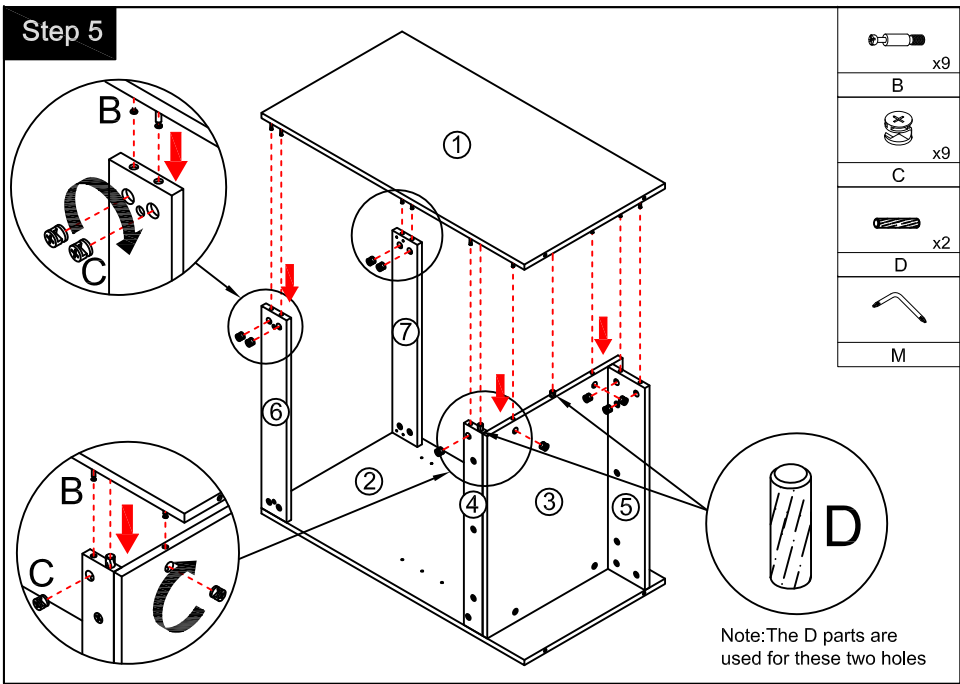
Components







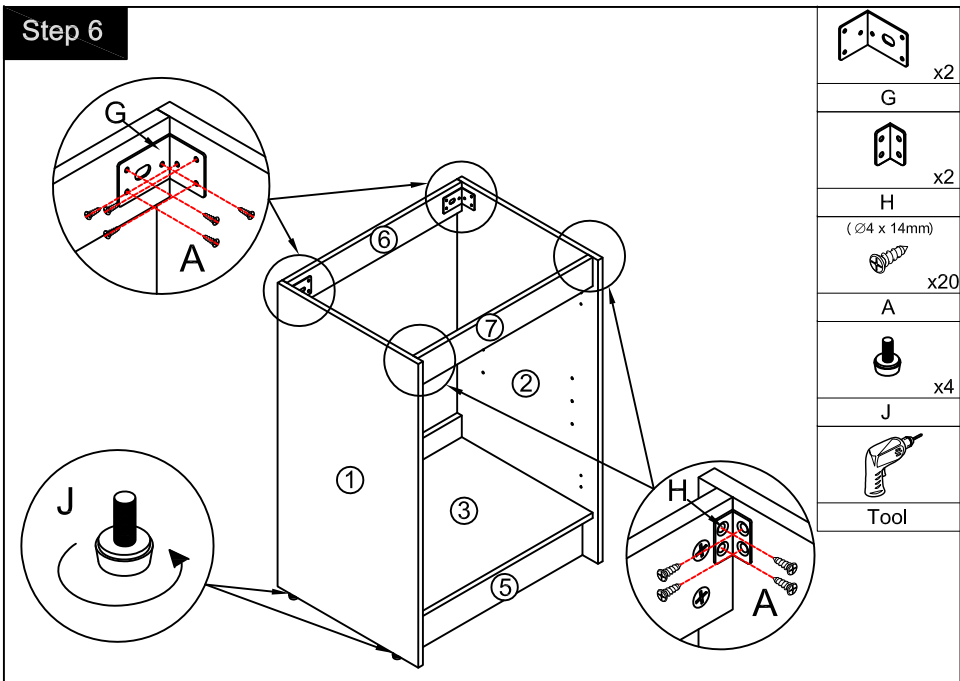
Step 5



	x9
B	
	x9
C	
	x2
D	

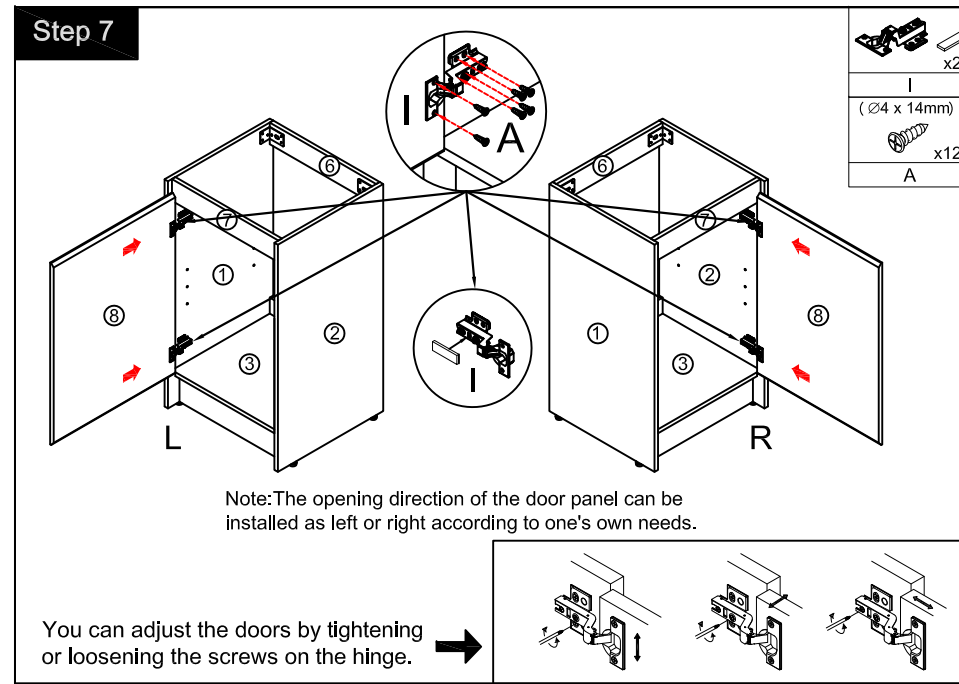
Note: The D parts are used for these two holes

Step 6



	x2
G	
	x2
H	(Ø4 x 14mm)
	x20
A	
	x4
J	
	Tool

Step 7

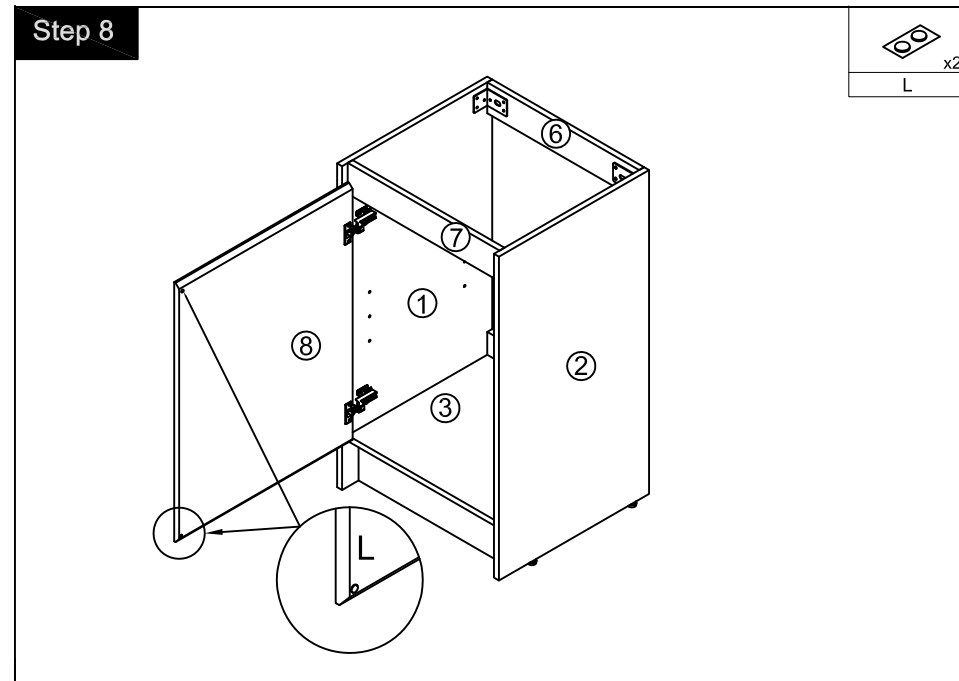


	x2
I	(Ø4 x 14mm)
	x12
A	

Note: The opening direction of the door panel can be installed as left or right according to one's own needs.

You can adjust the doors by tightening or loosening the screws on the hinge. →

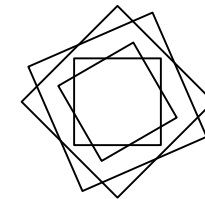
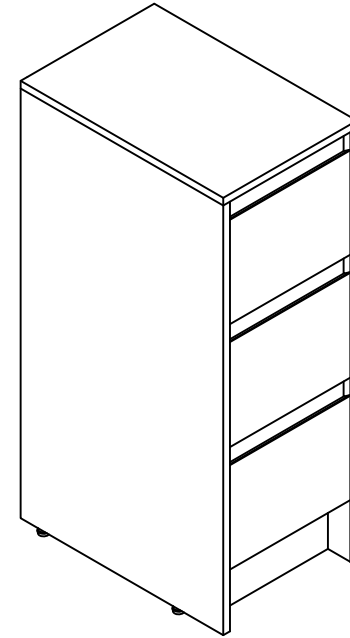
Step 8



	x2
L	

THANKS FOR WATCHING

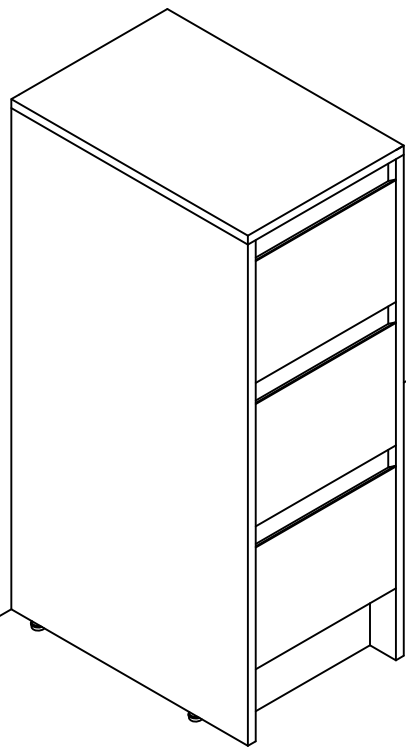
Your feedback is invaluable to us and we would love to hear about your experience. Please take the time to leave us a review.



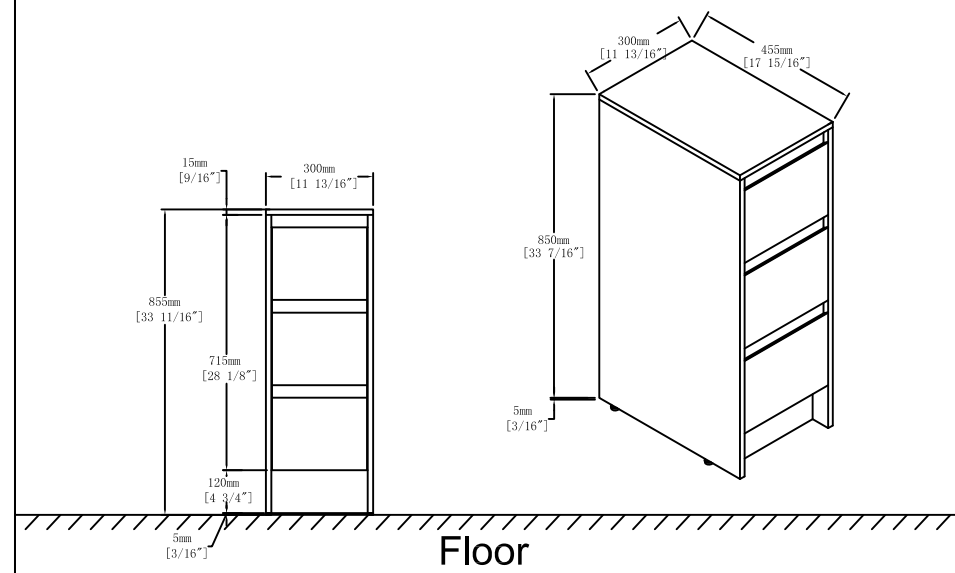
Thank you for shopping with us!

We encourage you to take a few minutes to go through this booklet. It contains important information on installation and care tips to keep your furniture looking as good as new.

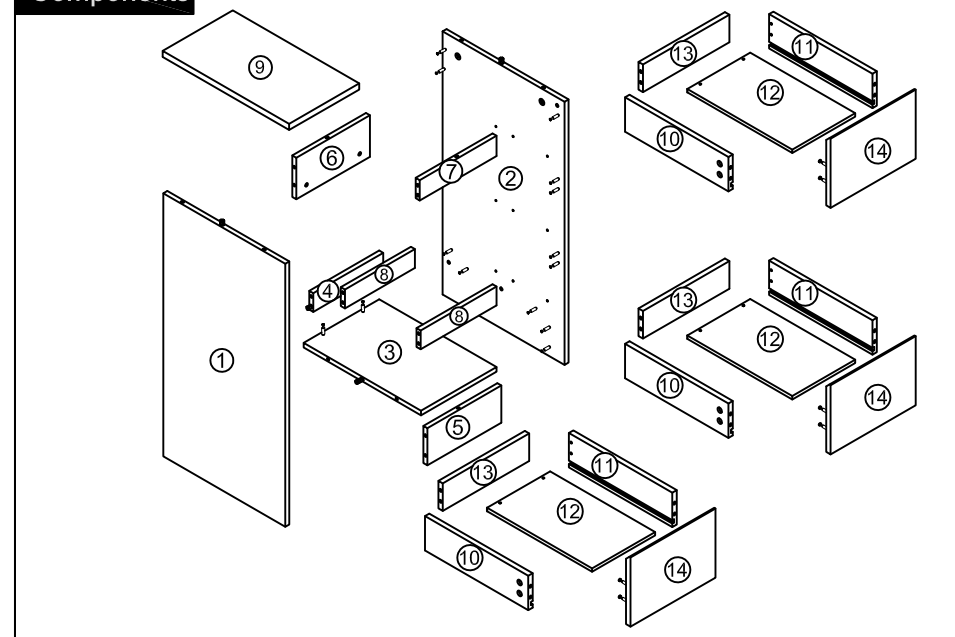
Finished



Dimensions



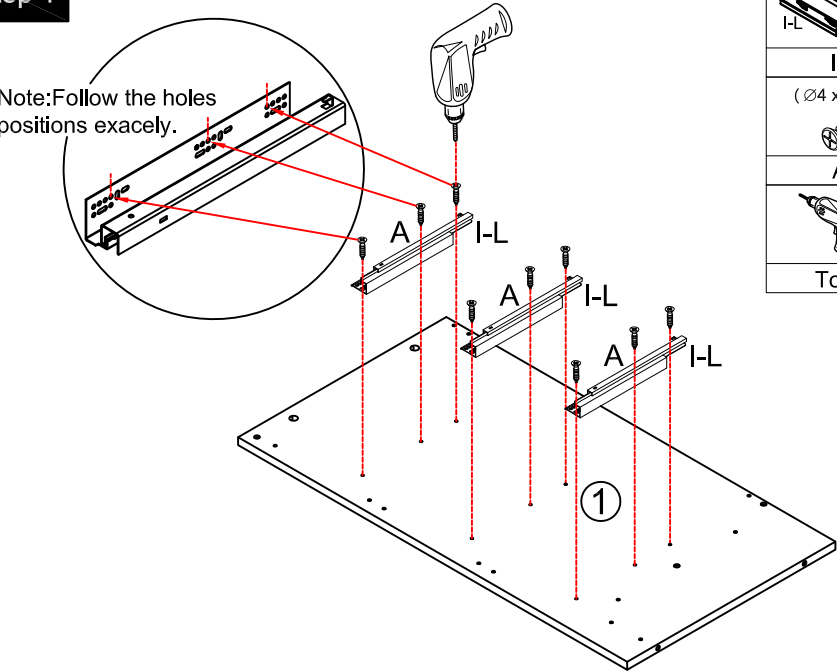
Components



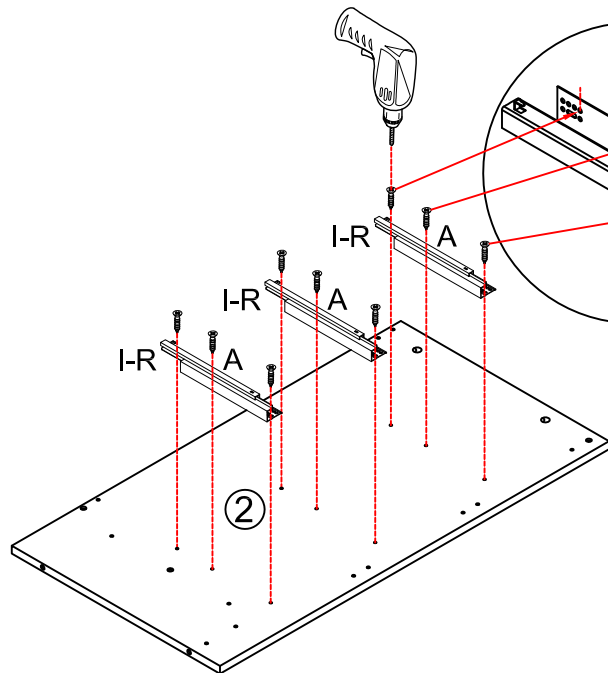
Step 1

Note: Follow the holes positions exactly.

- I-L I-R x3
- I
- (∅4 x 14mm)
- x18
- A
- Tool

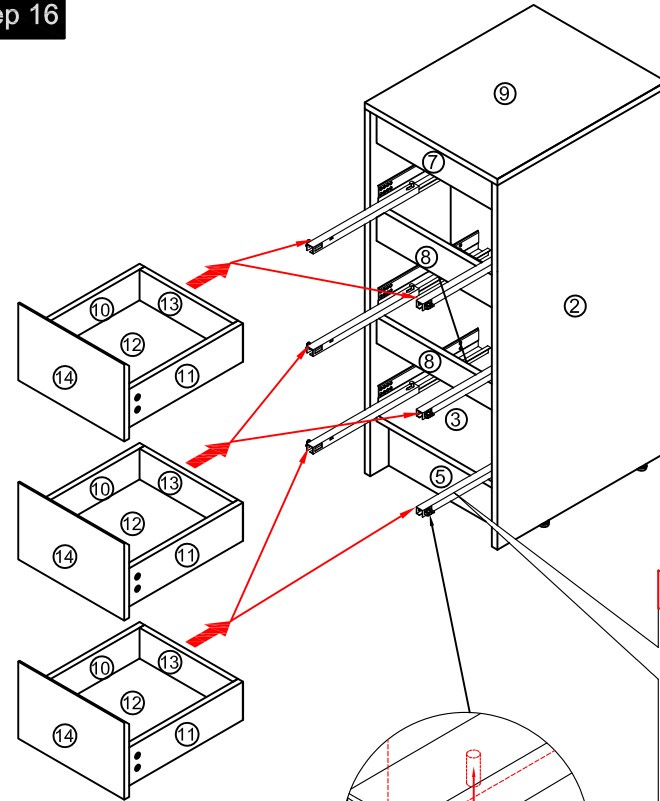


Note: Follow the holes positions exactly.

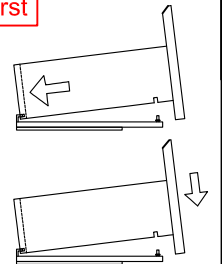


Step 16

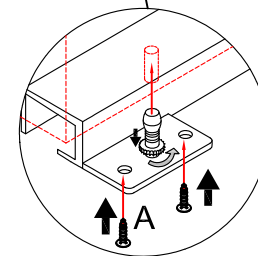
- (∅4 x 14mm)
- x12
- A
- Tool



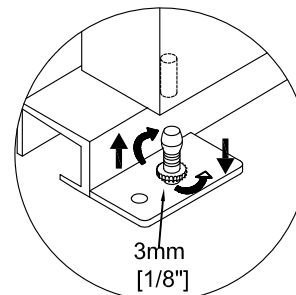
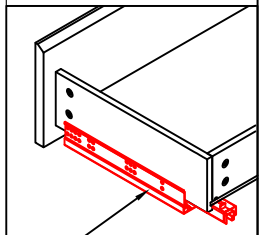
First



Third step: The bottom of the rail is fixed with screw A.

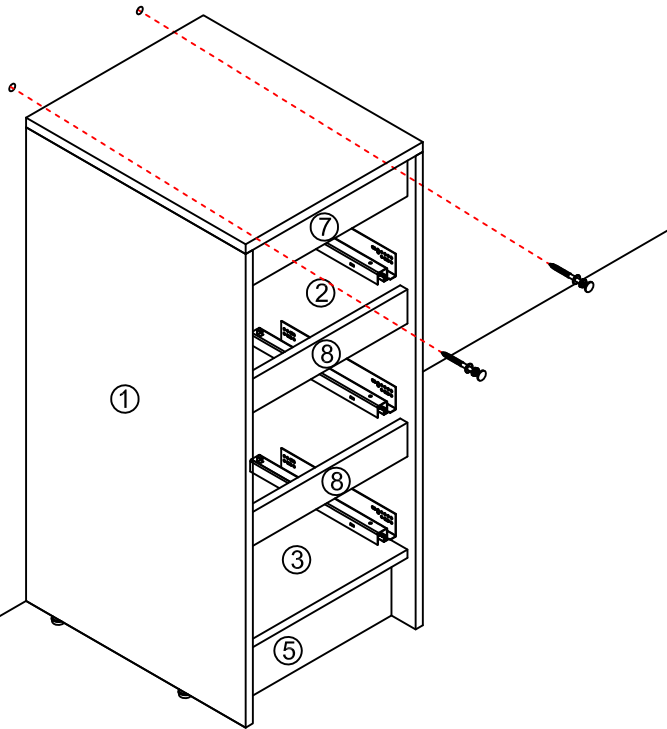
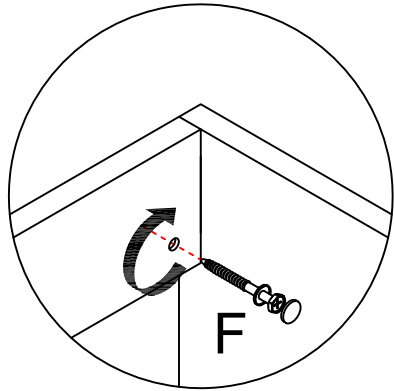
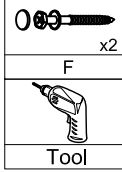


Second step: Tuck the rear holes.

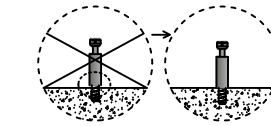
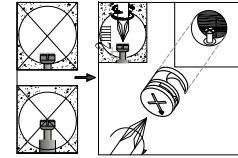
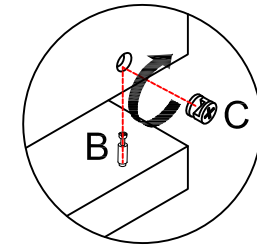
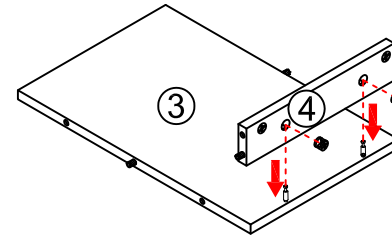
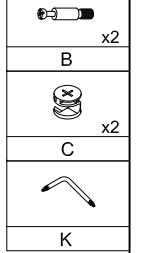


Note: The rails adjust their height 3mm.

Step 15

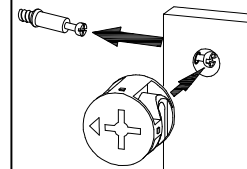


Step 2

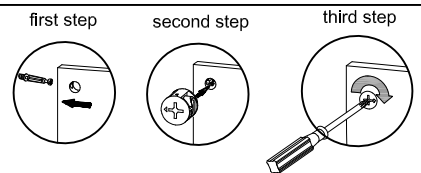
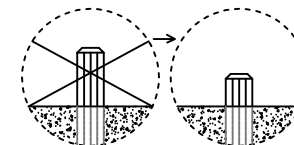
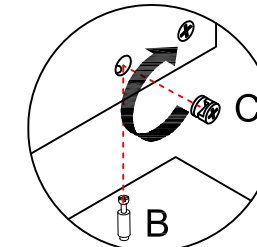
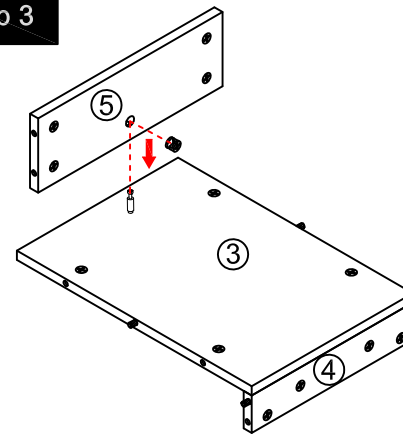
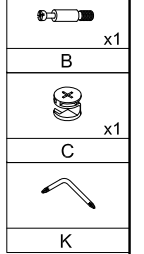


Notes: Screw installation depth as shown

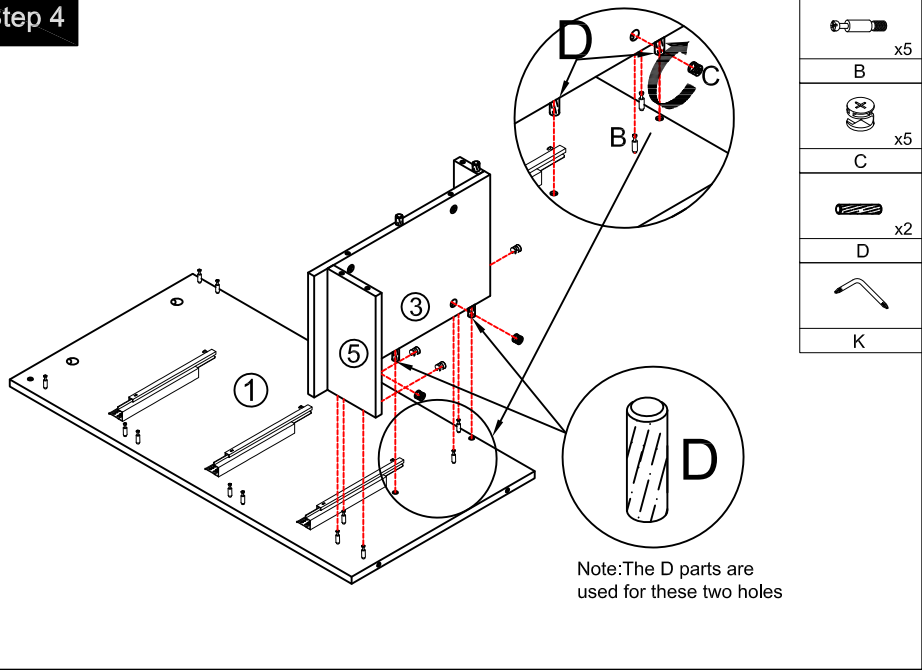
Attention: Cam lock arrow point to the steel rod.

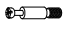





Step 3

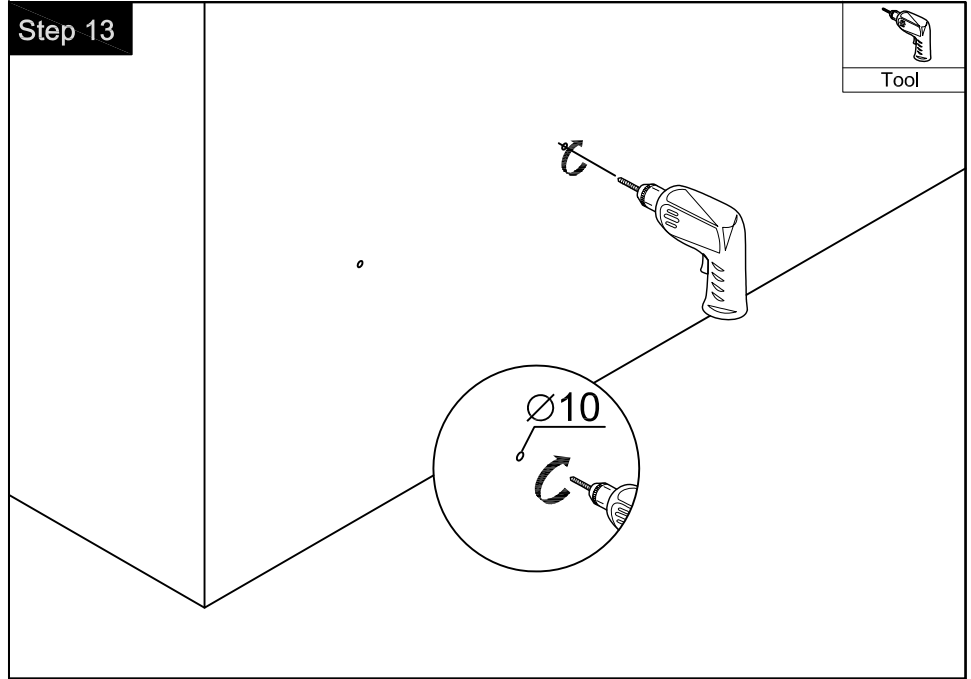


Step 4

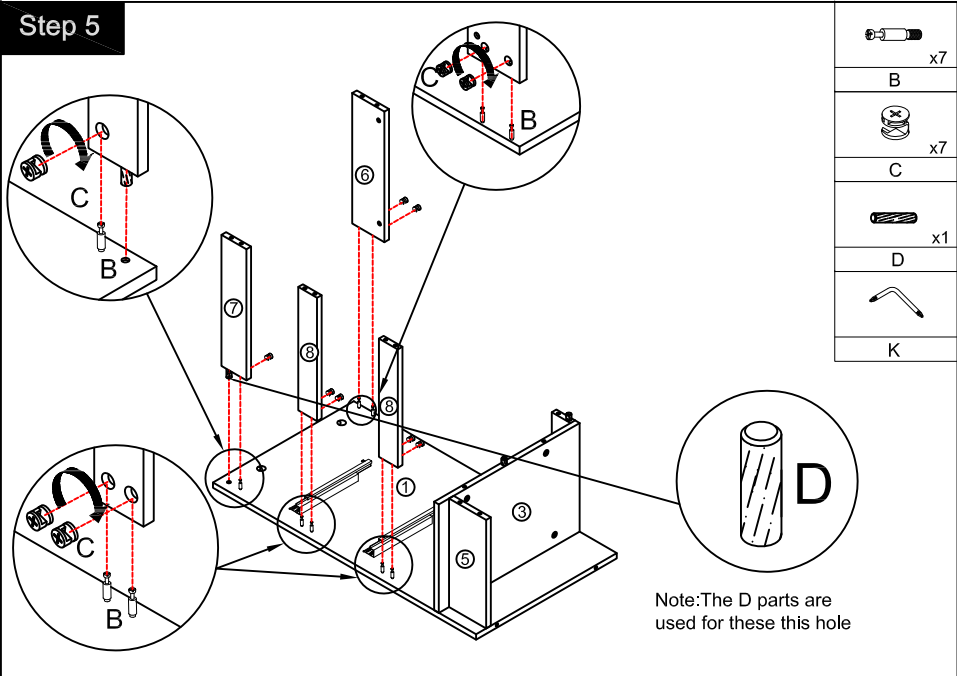


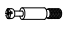



-  x5
-  x5
-  x2
- 

Step 13

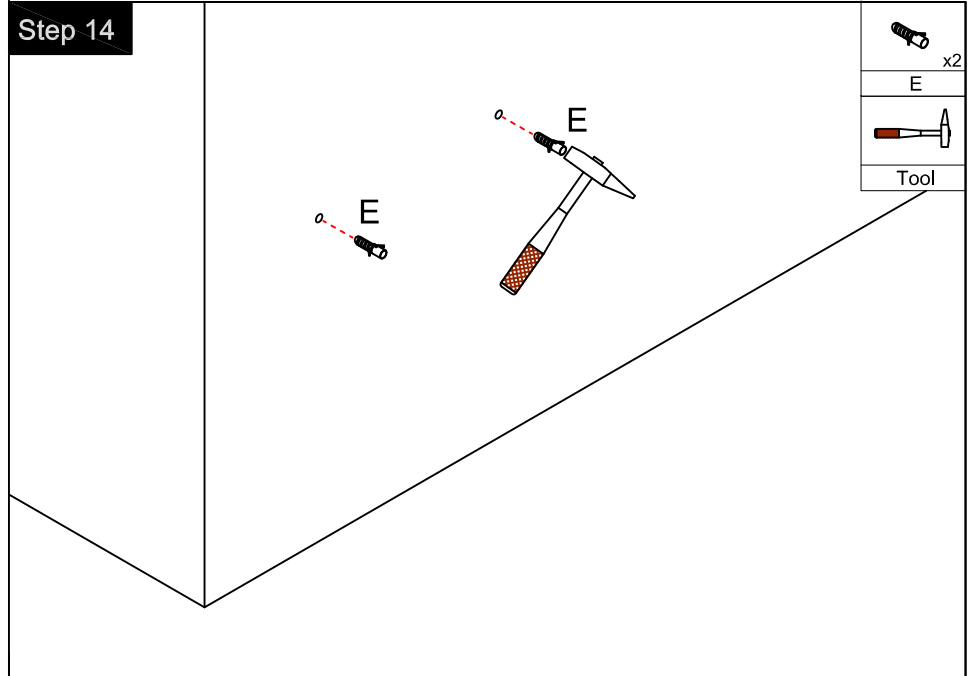




Step 5



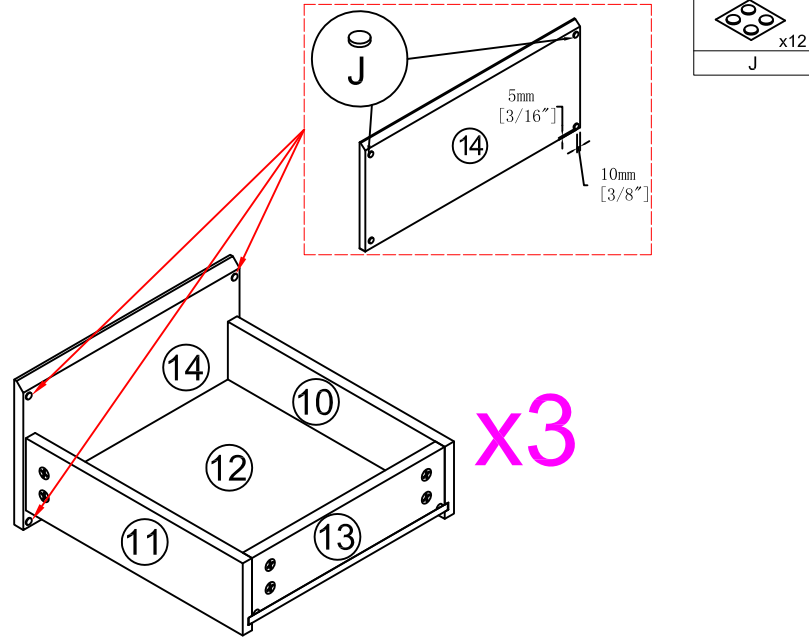
-  x7
-  x7
-  x1
- 

Step 14



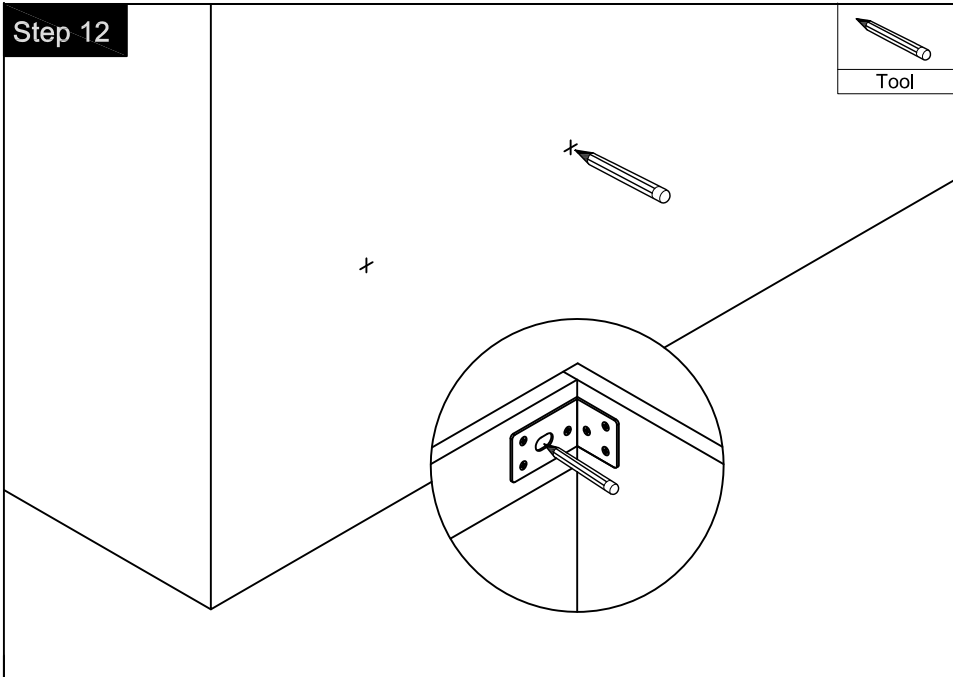
-  x2
- 

Step 11



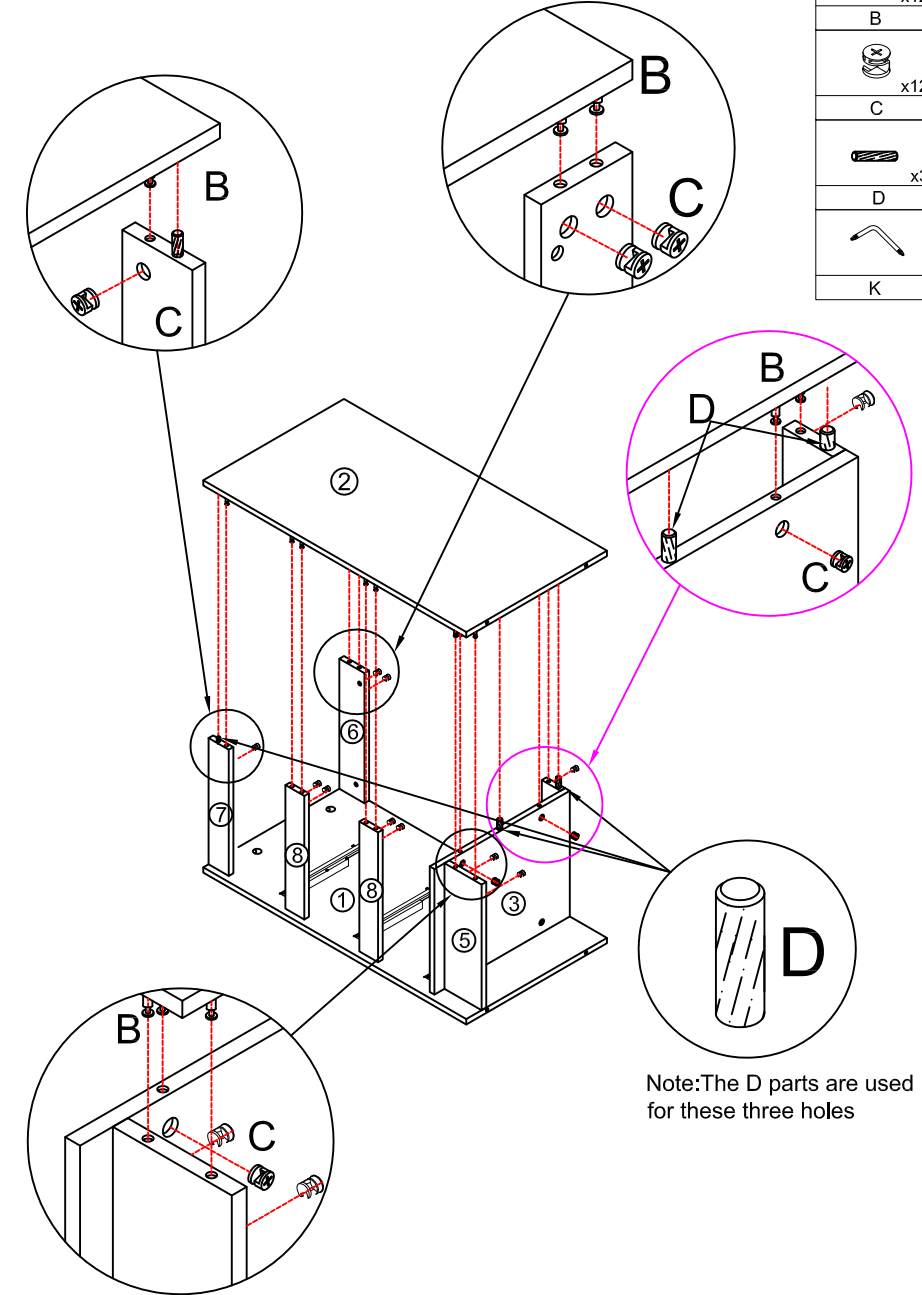
x3

Step 12



Tool

Step 6



- x12
- B x12
- C x12
- D x3
- K

Note: The D parts are used for these three holes

