

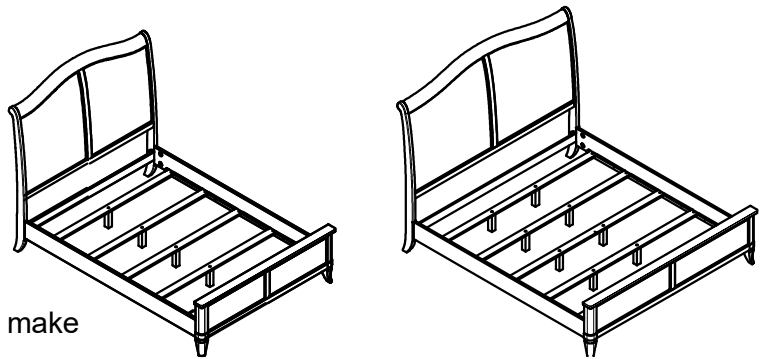
ASSEMBLY INSTRUCTIONS

483-304/305

483-306/483-307/483-308

TOOLS REQUIRED:

Allen Wrench (supplied, part #D)
Screwdriver (not supplied)



BEFORE YOU START:

1. Check the parts against the parts list to make sure all items are present.
2. Assemble your furniture on a soft, flat surface to avoid scratching the finish.
3. CAUTION: Do not over tighten screws, nuts or bolts during assembly.
4. Your furniture may require occasional tightening.

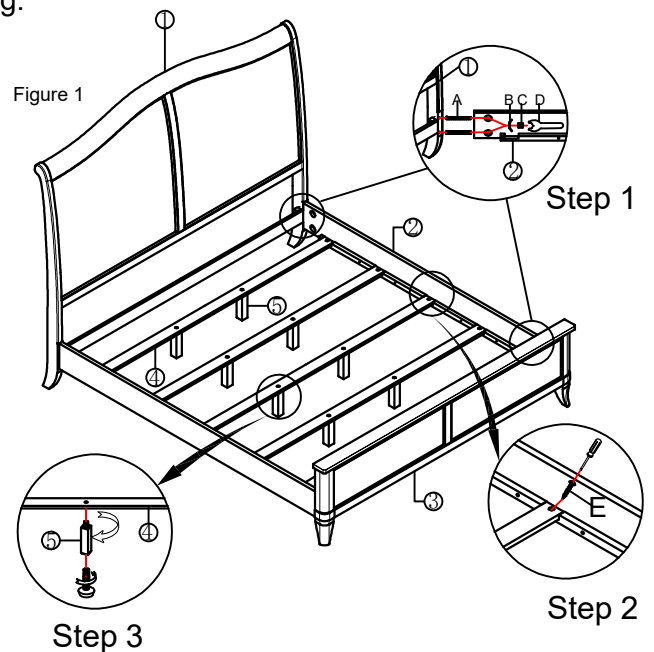
INSTRUCTIONS:

1. Attach two side rails^② to headboard ^① by using Bolt (A), Curve washer (B), Nut (C) and tighten with Wrench(D). As shown on Figure 1 (Step 1).

2. Attach two side rails^② to footboard^③ by using Bolt (A), Curved washer (B), Nut (C) and tighten with Wrench(D). As shown on Figure 1 (Step 1).

3. Put slats^④ onto side rails^②, fix it with Screw (E). As shown on Figure 1 (Step 2).

4. Attach middle legs^⑤ to each slats by turning it. Adjust the leveler on middle legs if necessary. As shown on Figure 1 (Step 3).



HARDWARE LIST				
NO.	DRAWING	DESCRIPTION	SIZE	Q'ty
A		Bolt	Ø5/16"x4"	8pcs
B		Curved washer	Ø5/16"	8pcs
C		Nut	Ø5/16"	8pcs
D		Wrench	Ø5/16"	1pc
E		Screw	1 1/4"	10pcs

Thank you for purchasing furniture
from american drew!