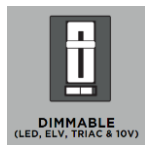
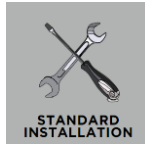


CERNE MINI FLUSH MOUNT

KWFM19227

General Product Information



Suggested/Required Tools



Safety Information

CAUTION-RISK OF FIRE

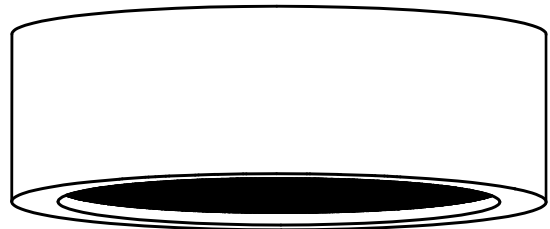
This product must be installed in accordance with the applicable installation code by a person familiar with the construction and operation of the product and the hazards involved.

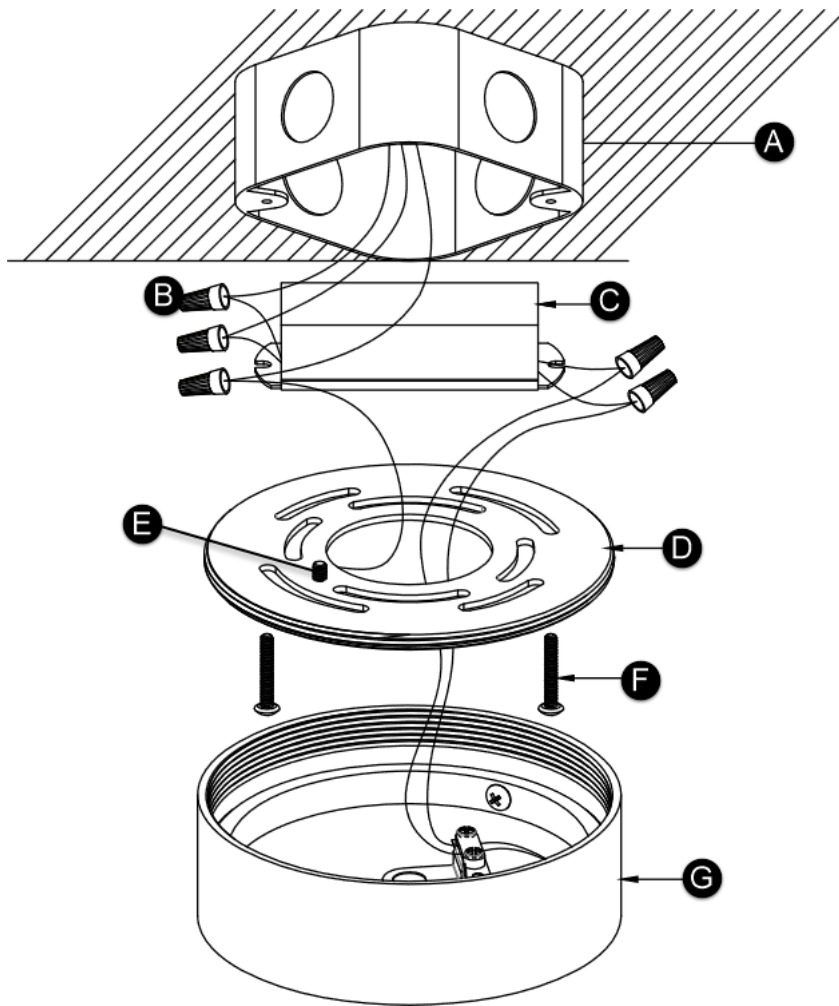
USE MINIMUM 90°C SUPPLY CONDUCTORS.



Turn off electrical current at the source before working with any lighting fixture or portable lamp.

Install and use this product in adherence with local electrical codes and regulations.





FIXTURE PARTS

- A. Junction box
- B. Wire Nut Connections
- C. Driver
- D. Mounting Plate
- E. Ground Screw
- F. #8-32 Screws
- G. Fixture

INSTRUCTIONS

I. Preparing the Fixture

1. Separate the mounting plate from the canopy by turning it clockwise.

II. Wiring the Fixture & Installing the Mounting Plate

1. Safety first! Locate the circuit breaker and switch it off to cut off the power supply to the relevant circuits to ensure there's no electricity running through the wiring.
2. In accordance with local electrical codes, connect the fixture ground wire (bare copper or silver wire) to suitable ground. This may be a green ground screw on the mounting plate, which the ground wire should be tightly wrapped around or a house wire (green or bare copper wire without insulation).
3. Twist the bare ends of the following pairs of wires together using a wire nut to secure a connection:
 - a) Input driver wire (white) to the neutral power line wire
 - b) Input driver wire (black) to the hot power line wire
4. Place the driver into the junction box, ensuring that the driver output wires and the ground wire are accessible.
5. Install the mounting plate to the junction box with the two #8-32 screws (included).
6. Now, twist the bare ends of the following pairs of wires together using a wire nut:
 - a) Negative (-) fixture wire to the negative (-) output driver wire
 - b) Positive (+) fixture wire to the positive (+) output driver wire
7. For 0-10V dimming capabilities, connect the purple and pink wires to a compatible dimmer. Cap off these wires, if not using a dimmer.
8. Tuck any remaining wires into the junction box.

III. Installing the Fixture

1. Reinstall the fixture to the mounting plate by turning it clockwise.