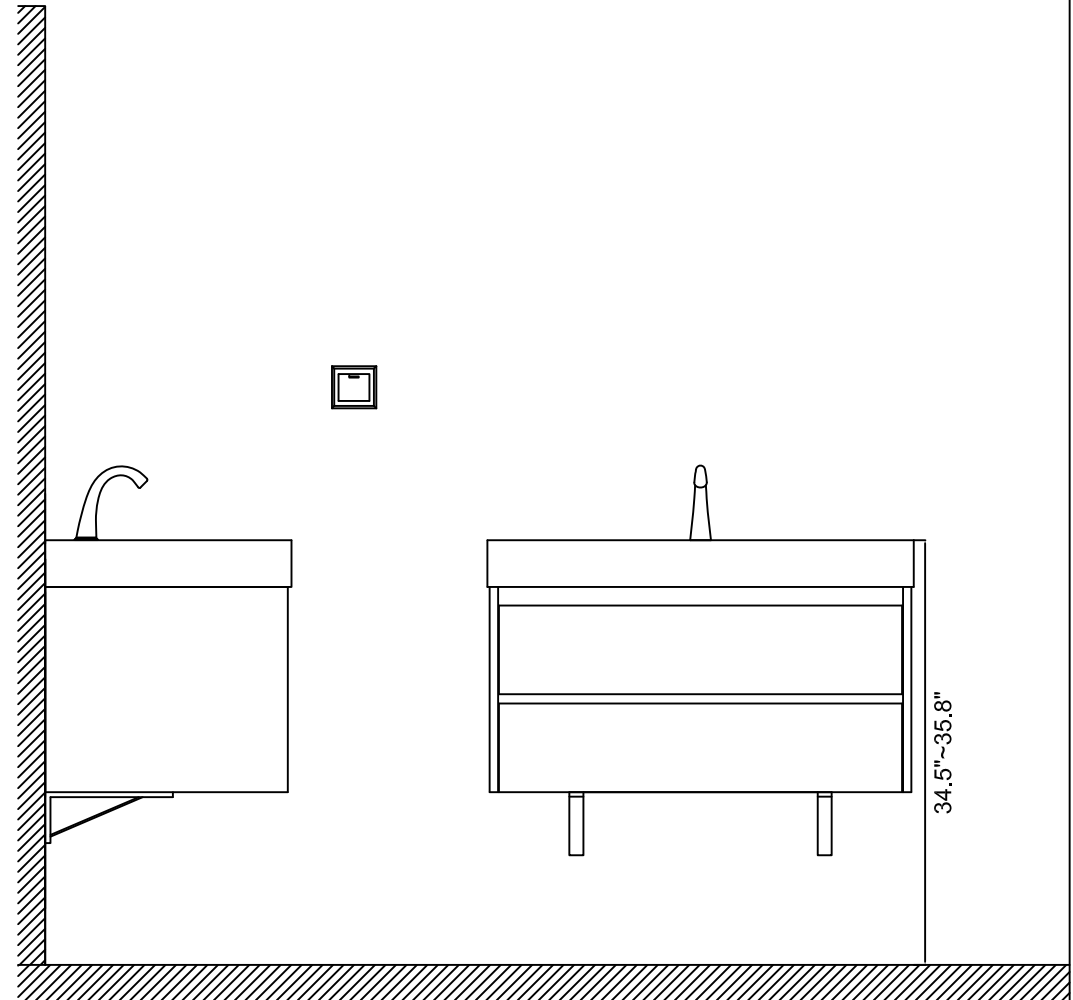


INSTALLATION INSTRUCTIONS

Confidential : A

PROHIBIT COPY

- Prior to installation please check received items against the Packing List .If any part is missing or damaged, please do not return the product to the store and contact us;
- Protect all surfaces from sharp objects , high heat sources,direct prolonged sunlight and chemical hazards .
- Professional installation is recommended !



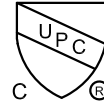
INSTALLATION INSTRUCTIONS

Confidential : A

PROHIBIT COPY

NOTE

1. Ceramic sink: cUPC certified.



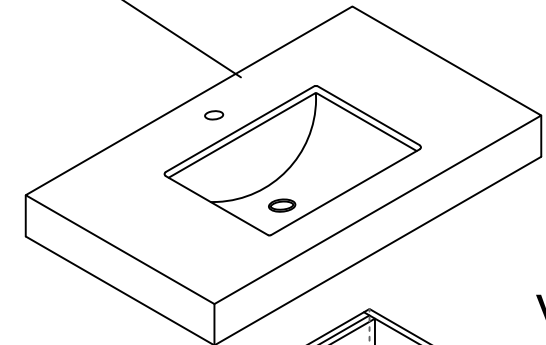
2. LED light :

a. The LED light is replaceable, if it is damaged, please contact us ;

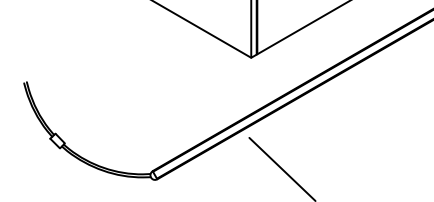
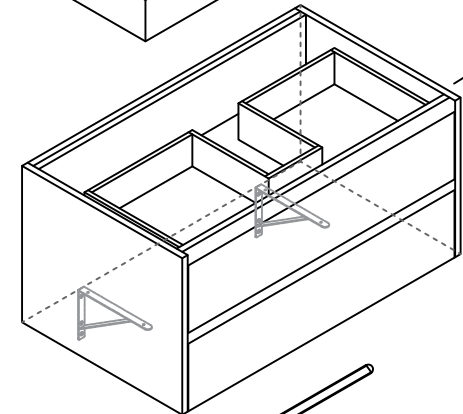
b. LED light should be connected to the wall switch for turning on/off.

c. UL certified & IP67 for water proof.

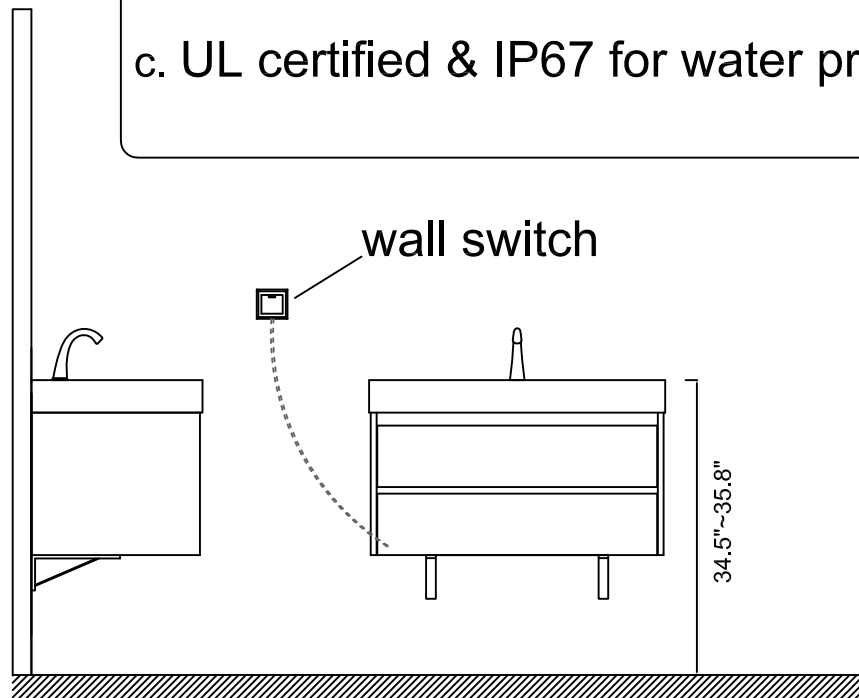
Marble top with ceramic sink



Vanity



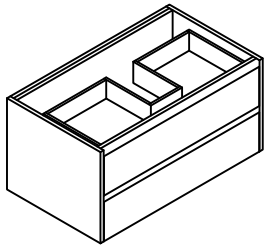
LED light
(pre-assembled on the
bottom of the vanity)



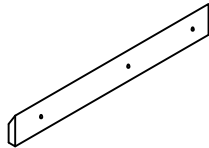
PROHIBIT COPY

PACKING LIST

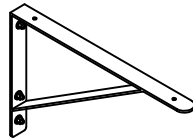
**A Main Vanity
1 PC**



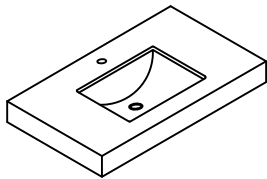
**B Wood Cleat
1 PC**



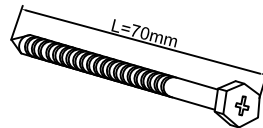
**C Metal Bracket
2 PCS**



**D TOP
1 PC**

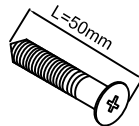


**E Wood Screw
4 PCS**



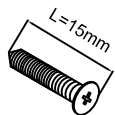
M6 x 70

**F Wood Screw
8 PCS**



M5 x 50

**G Wood Screw
4 PCS**

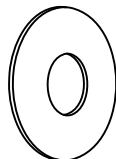


M4 x 15

**H Wall Anchor
12 PCS**



**I Metal Washers
4 PCS**



TOOLS REQUIRED

Drill Bits



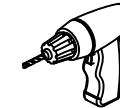
Ø3/8" (8mm)dia.

HSS

Screw Driver



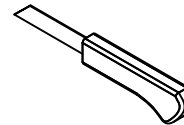
Drill



Level



Knife



Glove



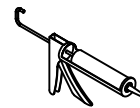
MASONRY DRILL BIT FOR
TILE Ø3/8" (8mm)



Safety Glasses



Silicone



Measuring Tape



**Soft Head
Hammer**



Pencil



Wood stud finder



INSTALLATION INSTRUCTIONS

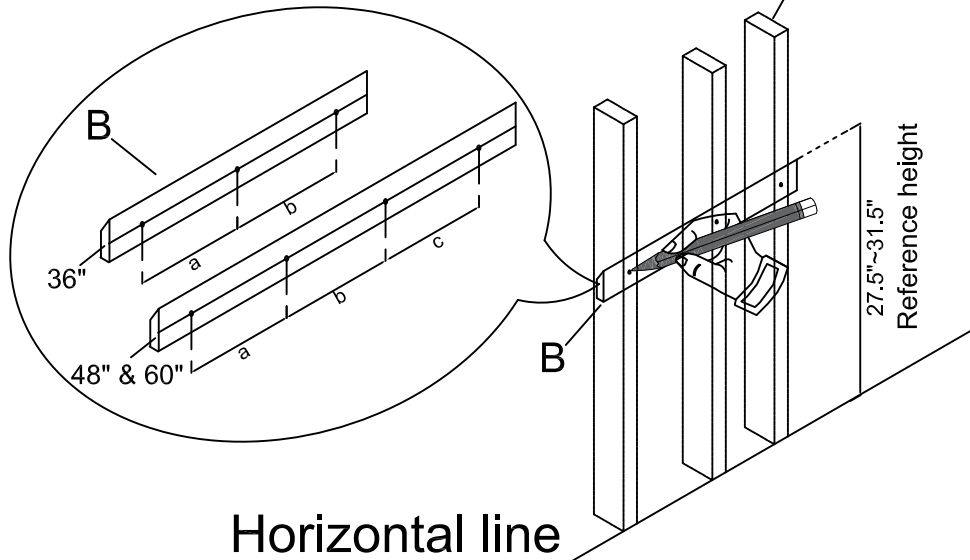
Confidential : A

PROHIBIT COPY

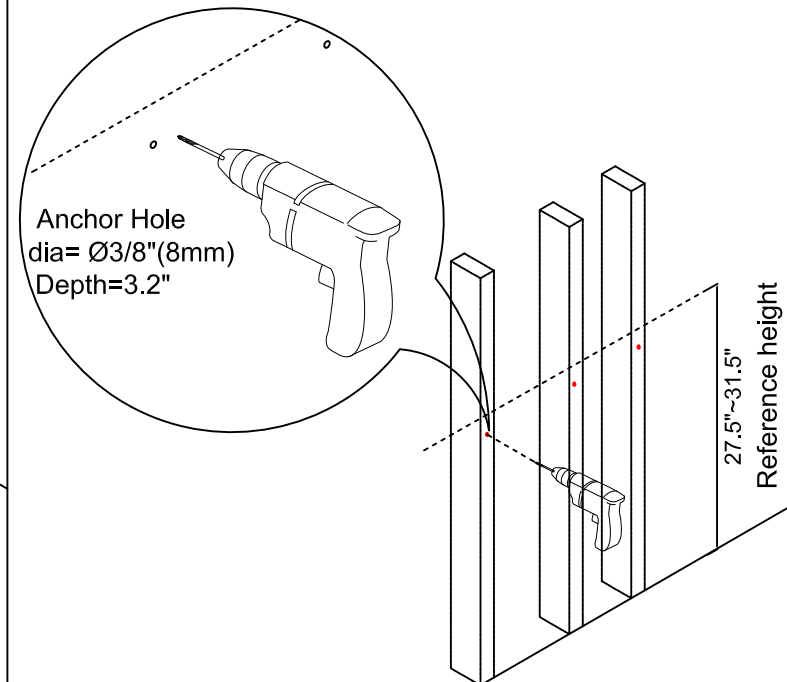
- STEP 1:**
- Use a wood stud finder to locate the wood studs behind the walls.
 - Use a pencil to mark the installation location for the **Wood Cleat (B)**.
 - Use a level to ensure the **Wood Cleat (B)** will be level before installing to the wall.

NOTE Make sure the screw holes must be on the wood studs otherwise the vanity will fall out because the dry wall cannot hold the cabinet.

vanity	hole	a	b	c
36"	3	12"	12"	-
48"	4	12"	12"	12"
60"	4	12"	24"	12"



- STEP 2:** Drill the anchor holes according to the marks using a drill.

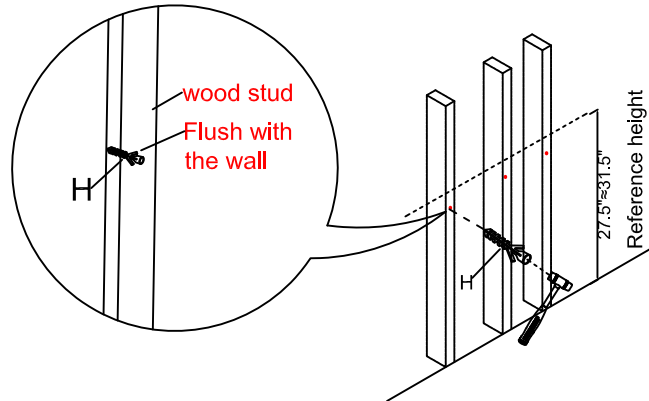


INSTALLATION INSTRUCTIONS

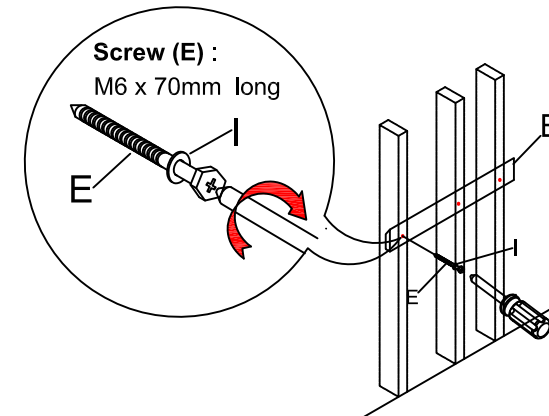
Confidential : A

PROHIBIT COPY

STEP 3: Install the **Wall Anchors (H)** provided into the wall with hammer.

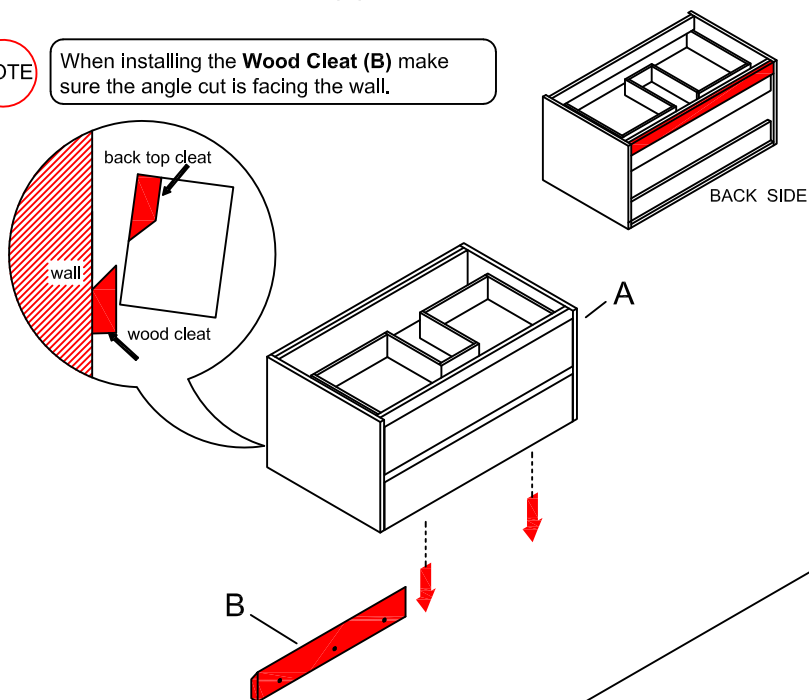


STEP 4: Install the **Wood cleat (B)** to the wood studs by screw driver.



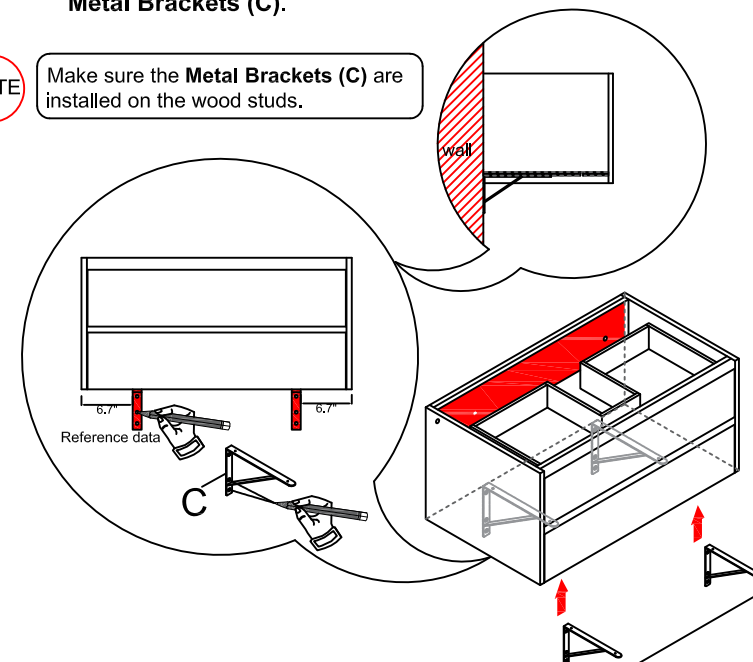
STEP 5: With help from another person, carefully hang the **Vanity (A)** onto the **Wood Cleat (B)**.

NOTE When installing the **Wood Cleat (B)** make sure the angle cut is facing the wall.



STEP 6: Using a pencil to mark the installation location for the **Metal Brackets (C)**.

NOTE Make sure the **Metal Brackets (C)** are installed on the wood studs.



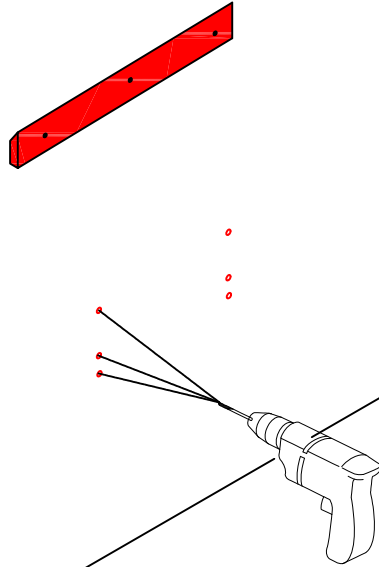
INSTALLATION INSTRUCTIONS

Confidential : A

PROHIBIT COPY

STEP 7: Carefully remove the **Vanity (A)** with the help from another person, and then drill the anchor holes according to the marks using a drill.

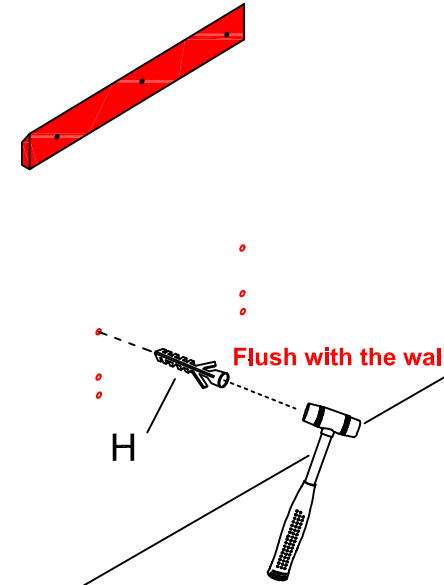
Anchor Hole
dia= $\text{\O}3/8"$ (8mm)
Depth=3.2"



STEP 8: Install the **Wall Anchors (H)** provided into the wall with hammer.

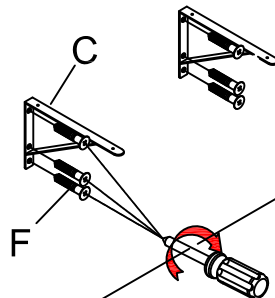
Flush with the wall

H

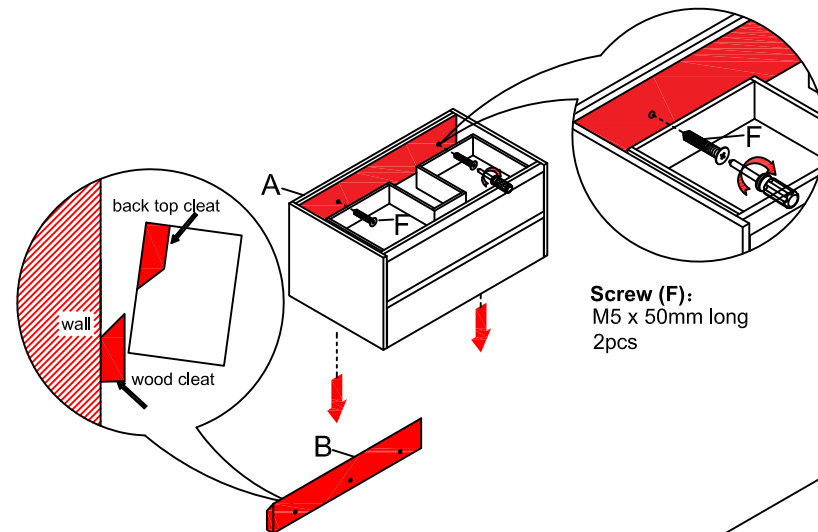


STEP 9: Install the **Metal Brackets (C)** to the wood studs by screw driver.

Screw (F):
M5 x 50mm long
6pcs



STEP 10: Hang the **Vanity (A)** to the wall and then connect the **Vanity (A)** to the **Wood Cleat (B)** with the 2 **Screws (F)** provided.



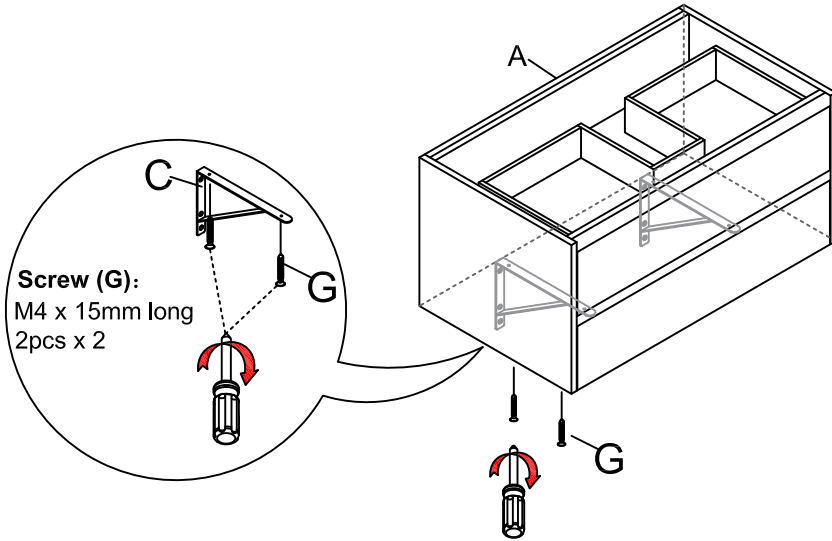
Screw (F):
M5 x 50mm long
2pcs

INSTALLATION INSTRUCTIONS

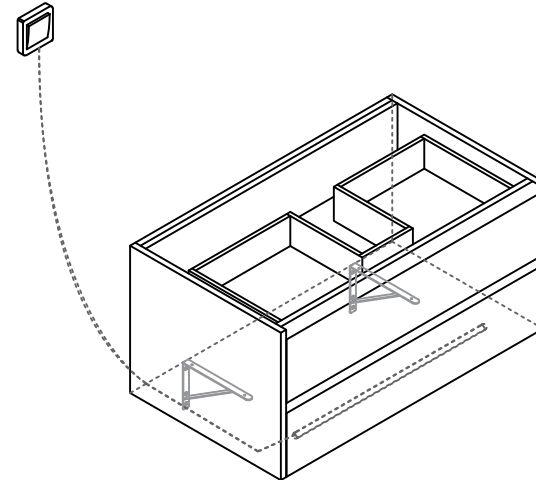
Confidentialal : A

PROHIBIT COPY

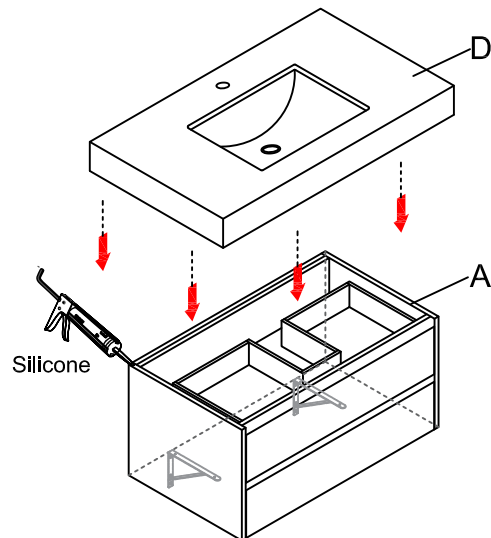
STEP 11: Connect the **Metal Brackets (C)** to the **Vanity (A)** with **Screws (G)**.



STEP 12: Connect the electrical wire to the wall switch for turning on/off.



STEP 13: Apply the silicone to the top of the **Vanity (A)** and then install the **Top (D)** onto the **Vanity (A)** with the help from another person.



STEP 14: Let the vanity sit for 24 hours before use.

