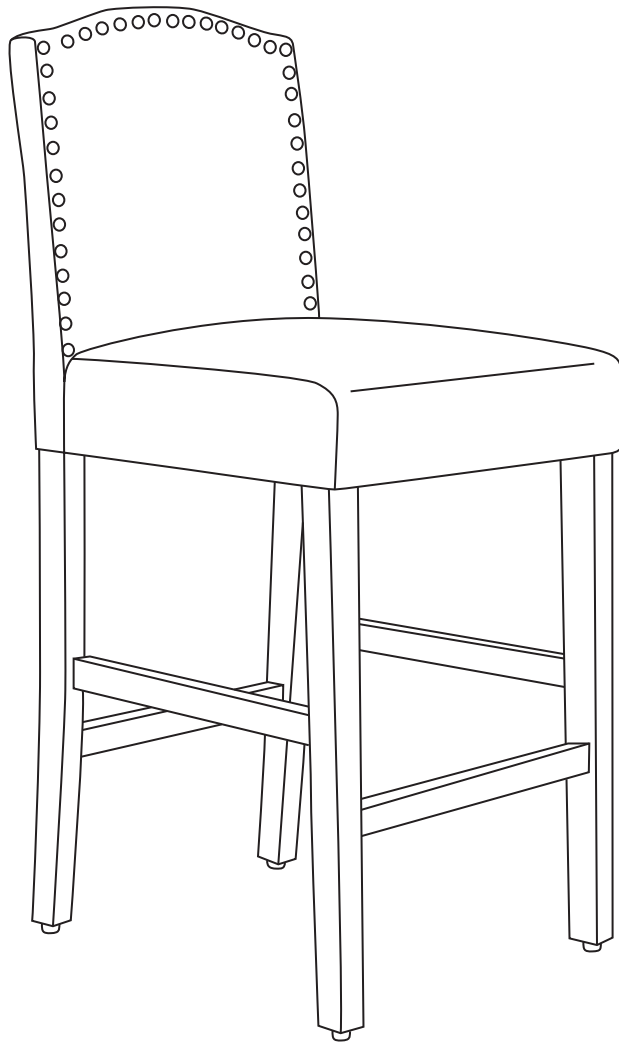

ASSEMBLY INSTRUCTION

BAR CHAIR



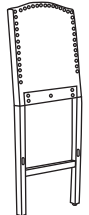

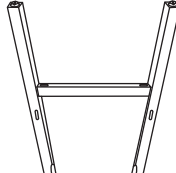
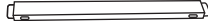

Get social with us and discover more about our products, tips and exclusive discounts!



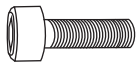



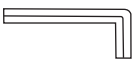

PRE-ASSEMBLY PREPARATION

- **CAUTION:** Assembly will require at least 2 adults. DO NOT use power tools. Please inspect all items BEFORE assembly. If for any reason you need to return this item, please kindly return it in its original packaging.
- **WARNING!**
 1. DO NOT let any sharp objects touch or rub the surface of the product.
 2. When assembling, do not let children play around the working area.
 3. DO NOT tighten all bolts and screws completely until the entire unit has been assembled and set up.
 4. DO NOT USE if this product become damaged, and/or components are broken or missing.
- **CARE AND CLEANING:** DO NOT scratch or chip the finish. DO NOT use abrasive chemicals for cleaning. Clean with mild soap on a soft rag. Rinse and dry thoroughly.
- **MAINTENANCE:** Please periodically check all fittings and re-tighten as necessary.

PARTS LIST

<p>BACK (A)</p>  <p>Qty: 2</p>	<p>SEAT (B)</p>  <p>Qty: 2</p>	<p>FRONT LEG (C)</p>  <p>Qty: 2</p>	<p>LEFT RUNG (L)</p>  <p>Qty: 2</p>
<p>RIGHT RUNG (R)</p>  <p>Qty: 2</p>			

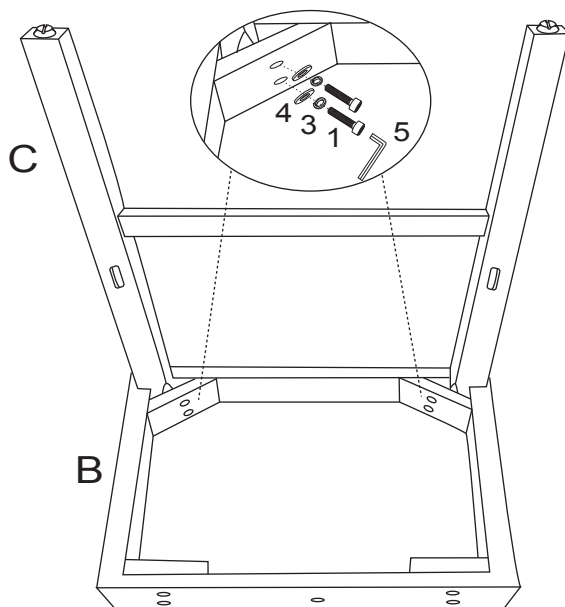
HARDWARE LIST

<p>ALLEN BOLT (1) M8X60MM</p>  <p>Qty: 10</p>	<p>ALLEN BOLT (2) M8X80MM</p>  <p>Qty: 8</p>	<p>SPRING WAAHER (3)</p>  <p>Qty: 18</p>	<p>FLAT WASHER (4)</p>  <p>Qty: 18</p>
<p>ALLEN KEY (5)</p>  <p>Qty: 2</p>	<p>ALLEN BOLT (6) M4X50MM</p>  <p>Qty: 8</p>		

STEP-BY-STEP ASSEMBLY

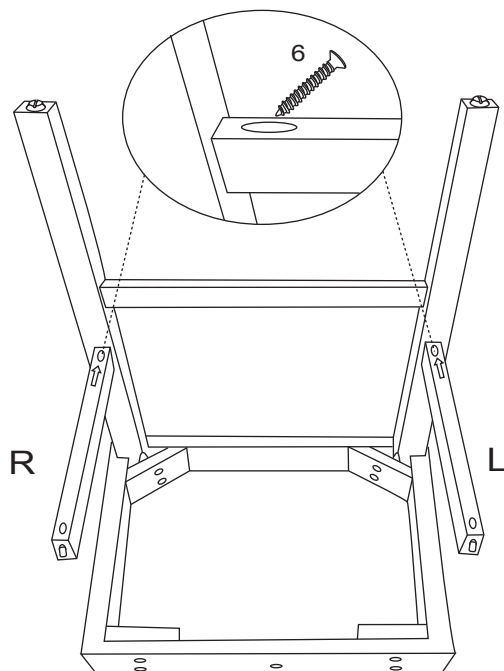
PLEASE CAREFULLY UNPACK AND IDENTIFY EACH COMPONENT BEFORE BEGINNING ASSEMBLY. BEFORE YOU BEGIN, PLEASE REFER TO PARTS LIST TO MAKE SURE THAT YOU HAVE ALL PARTS.

- STEP 1** Attach the Front Leg (C) to the Seat (B) by using Flat Washer (4), Spring Washer (3), Allen Bolt (1) and Allen Key (5), please tighten the bolts 90%.

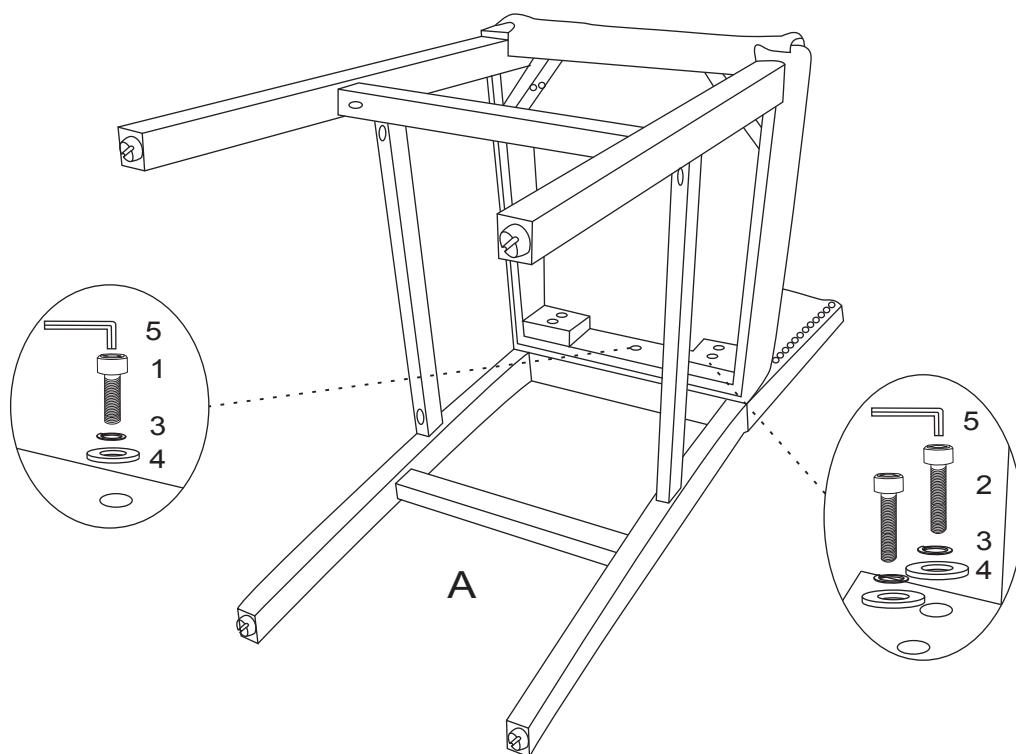


- STEP 2** Attach the Left Rung (L) and the Right Rung (R) to the Front Leg (C) by using Screw (6) and Screw Driver (Not Included), please tighten the screws 90%.

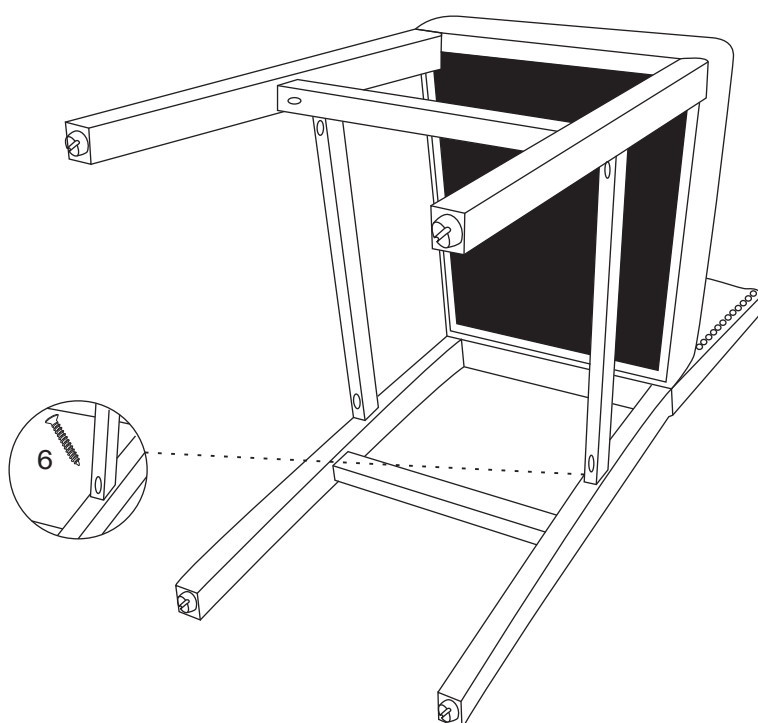
NOTE: Attach the Left Rung (L) and the Right Rung (R) to the Front Leg (C) on the side indicated by the arrow.



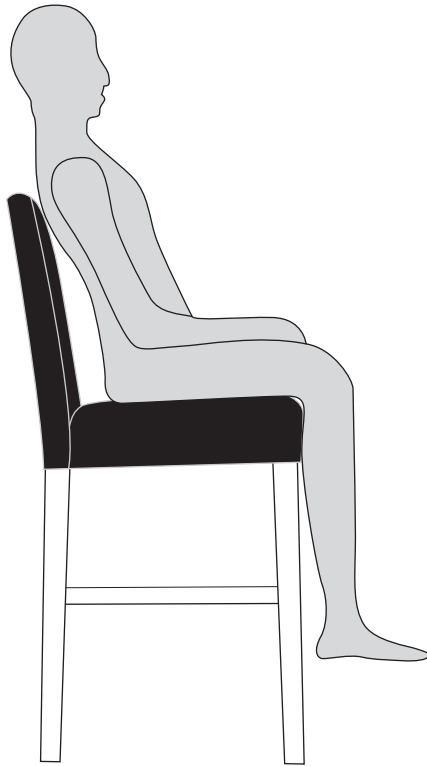
STEP 3 Attach the Seat (B), the Left Rung (L) and the Right Rung (R) to the Back (A) by using Flat Washer (4), Spring Washer (3), Allen Bolt (1), Allen Bolt (2) and Allen Key (5), please tighten the bolts 90%.



STEP 4 Fix the Left Rung (L) and the Right Rung (R) to the Back (A) by using Screw (6) and Screw Driver (Not Included), please tighten the screws 90%.



STEP 5 Use body weight to adjust balance of chair, then tighten all the screws 100% all the way. Reminder!! Use Adjusting Pin Nail to adjust the level of chair if necessary.



STEP 6 A few days after initial assembly, the product may acclimate to its new environment. Please ensure all screws are still securely tightened.

