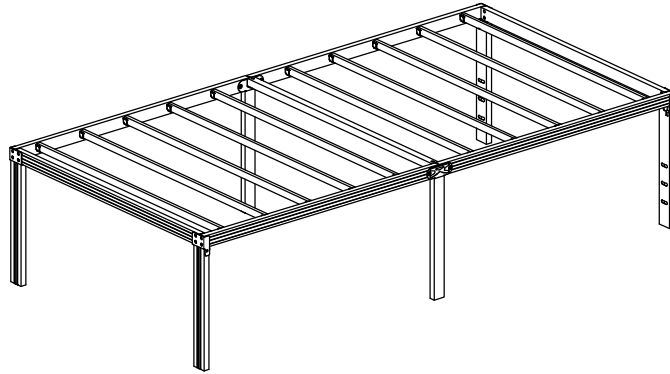


Platform Bed Set-up Instruction

SIZE:Twin/Twin XL


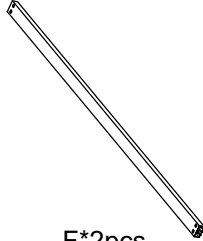
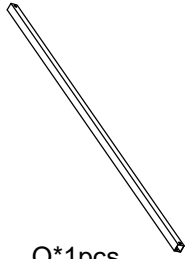
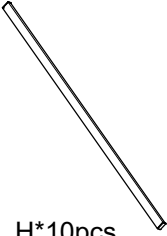
(40L-01/02)

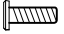
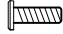


If you have any questions about the product, please don't hesitate to contact us. You can reach us through your order. Thanks for your support!



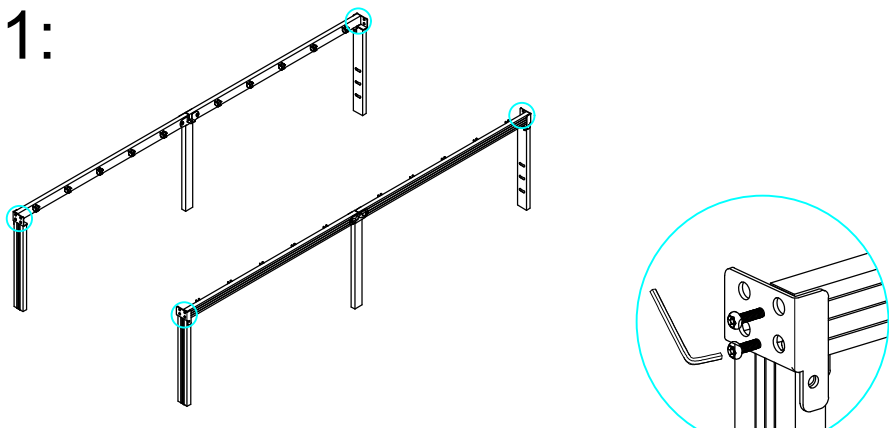
Component composition



Bed Frame Parts List

| | | | |
|---|---|--|--|
|  E*2pcs |  F*2pcs |  Q*1pcs |  H*10pcs |
|---|---|--|--|

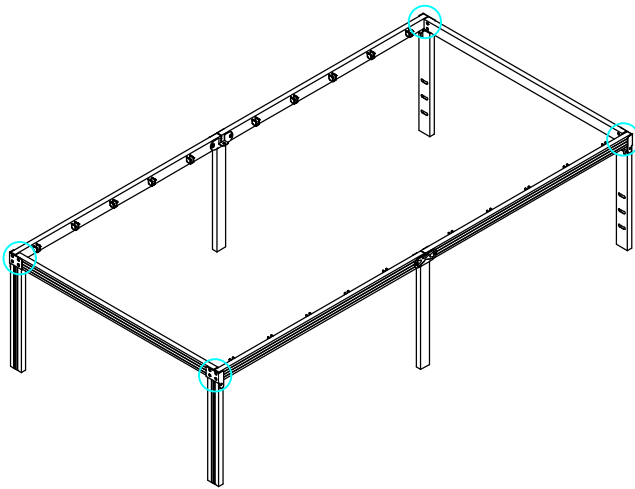
| | | | | | | |
|-------------------------|--|--|--|---|---|---|
| Accessories List |  R*8PCS M8*32bolt |  P*2PCS M8*35bolt |  L*8PCS M8*18bolt |  J*8PCS M8 nut |  |  |
| | | | | | | |

Step 1:



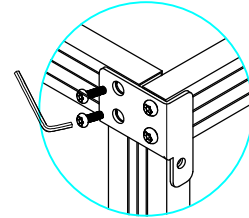
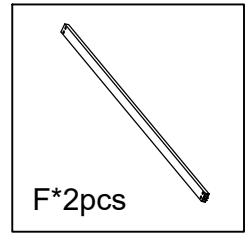
| |
|--|
|  E*2pcs |
|  L*8PCS M8*18bolt |

Step2:

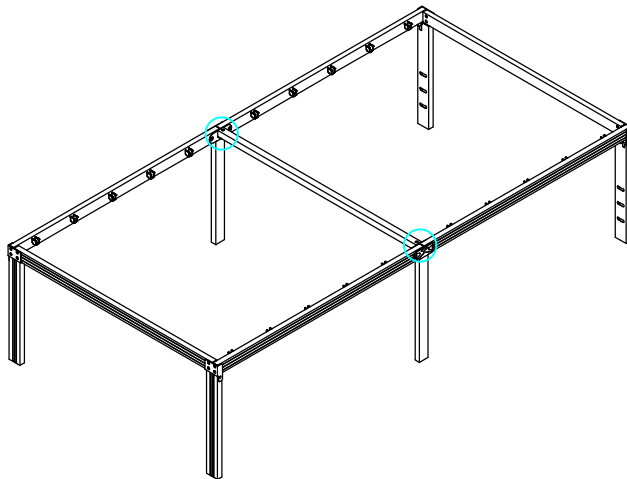



R*8PCS
M8*32bolt

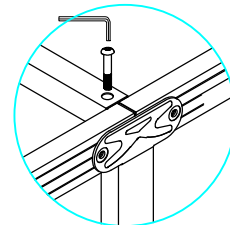
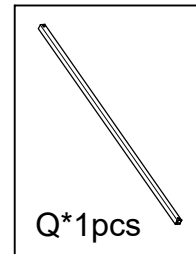

J*8PCS
M8 nut



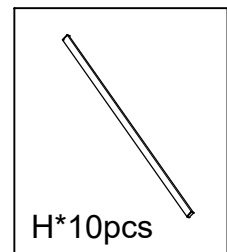
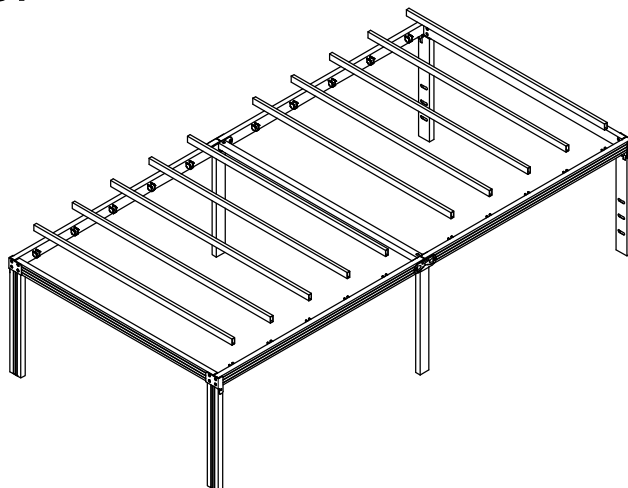
Step4:




P*2PCS
M8*35bolt



Step5:



Finally, please tighten all screws to prevent noise.

You can attach the Allen key to the foot of the bed by magnet. To lock the screw next time.