

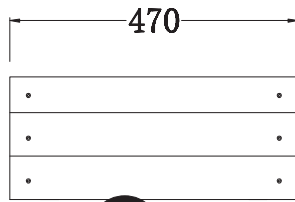


# ASSEMBLY INSTRUCTION

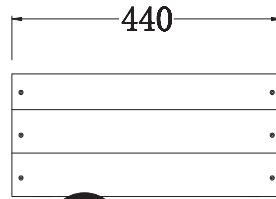
Ⓐ  3.5x30=24x

Ⓑ  3.5x50=4x

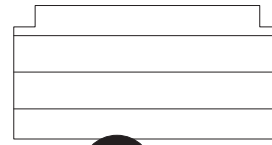
## PARTS



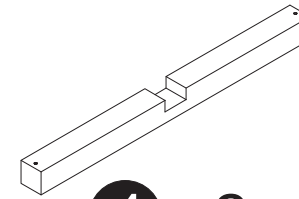
1 x2



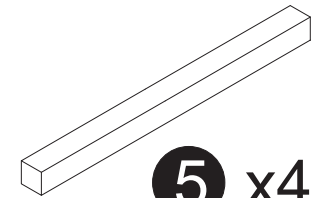
2 x2



3 x2



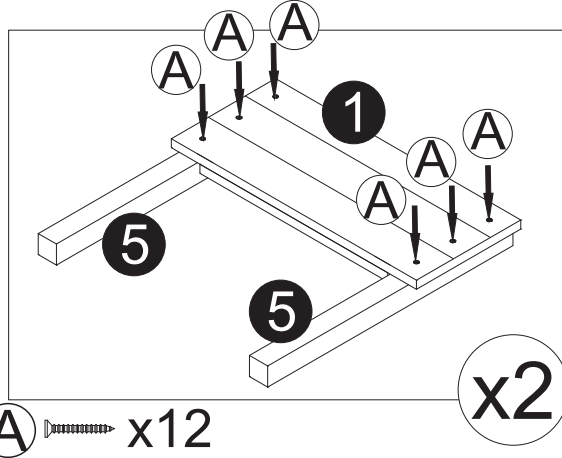
4 x2



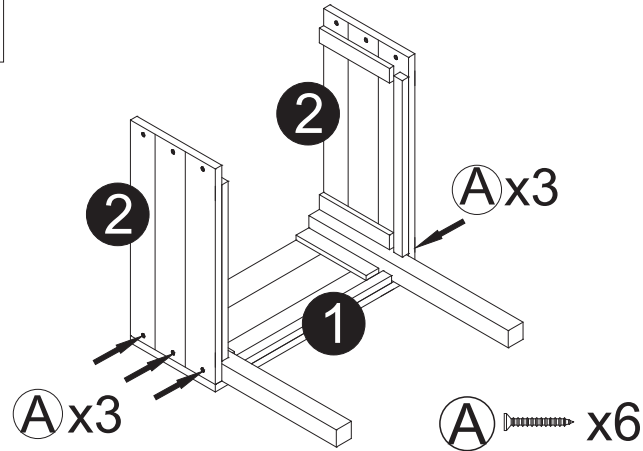
5 x4

## ASSEMBLY

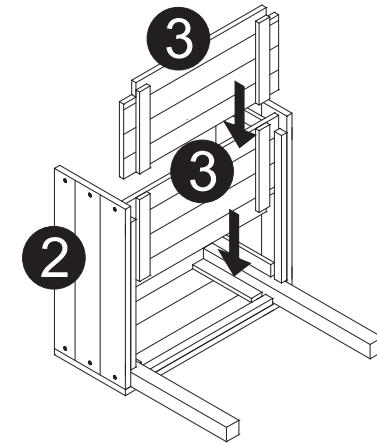
1



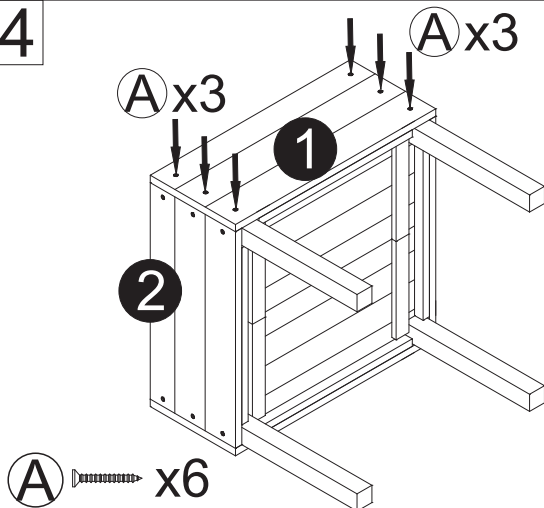
2



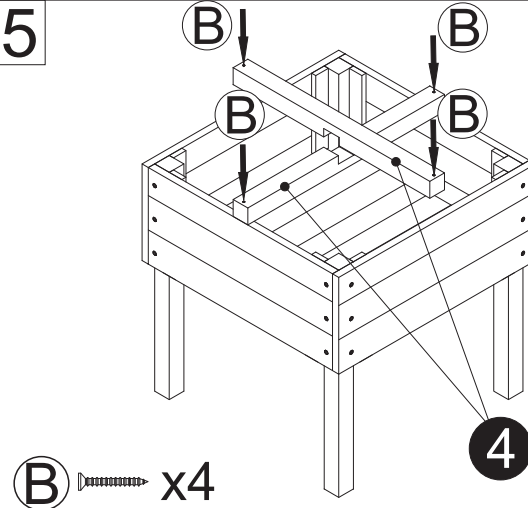
3



4



5



6

