

# ASSEMBLY INSTRUCTIONS

Read this instruction carefully. See hardware and furniture part list for guidance. Be sure all parts are complete, before you assemble. Place all wooden furniture parts on a clean and flat soft surface to prevent from being scratched. Follow the figure to start assembling.

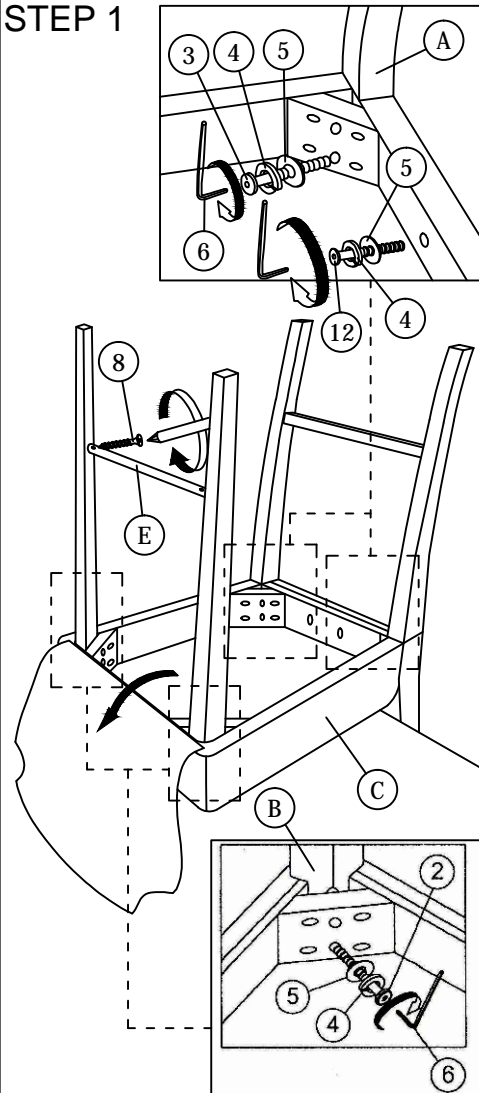
**CAUTIONS :** 1. Do not FULLY - TIGHTEN the nut or nut bolt until all nut or bolt is ready assembled.  
2. Do not OVER - TIGHTEN the nut or bolt to avoid causing damages to the thread.  
3. Keep all hardware parts out of reach of children.

NOTE : THE LIST AND QUANTITY SHOWN ARE FOR 1 UNIT ASSEMBLY.

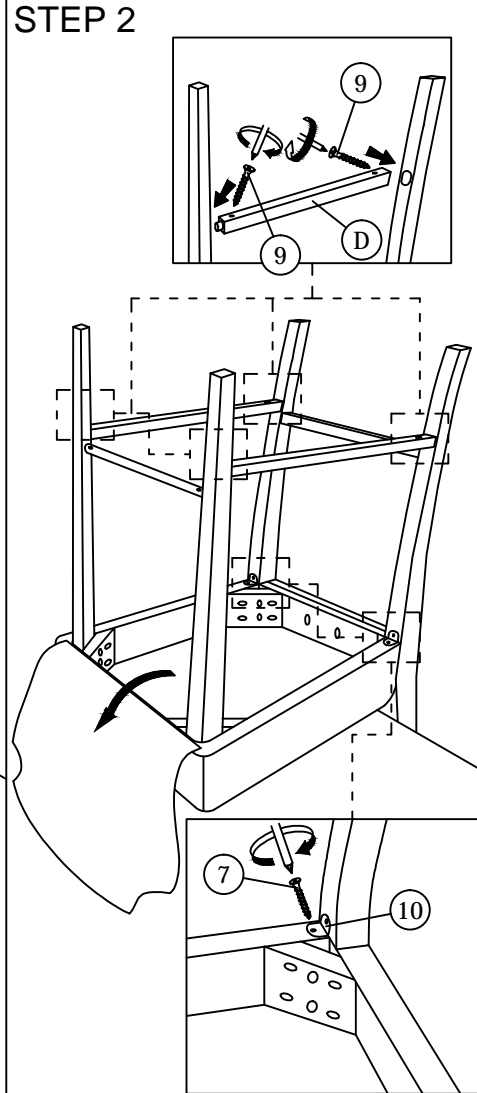
PART LIST		
ITEM	DESCRIPTION	QTY
A	CHAIR BACK	1 PC
B	FRONT LEG	2 PCS
C	CUSHION SEAT FRAME	1 PC
D	SIDE STRETCHER	2 PCS
E	STAINLESS STEEL	1 PC

PART LIST		
ITEM	DESCRIPTION	QTY
1	Wood Screw M3.5 x 12mm	8pcs
2	JCBC Bolt M6 x 60mm	4pcs
3	JCBC Bolt M6 x 80mm	4pcs
4	M6 Spring Washer	10pcs
5	M6 Flat Washer	10pcs
6	M4 Allen Key (Ball Shape)	1pc
7	Wood Screw M3.5 x 16mm	12pcs
8	Wood Screw M4 x 20mm	2pcs
9	Wood Screw M4 x 32mm	4pcs
10	5005 18mm x 20mm x 1.2mm 2 Hole L Bracket	2pcs
11	5003 39.5mm x 20mm x 17.5mm x 2mm 2 Hole L Bracket	8pcs
12	JCBC Bolt M6 x 45mm	2pcs

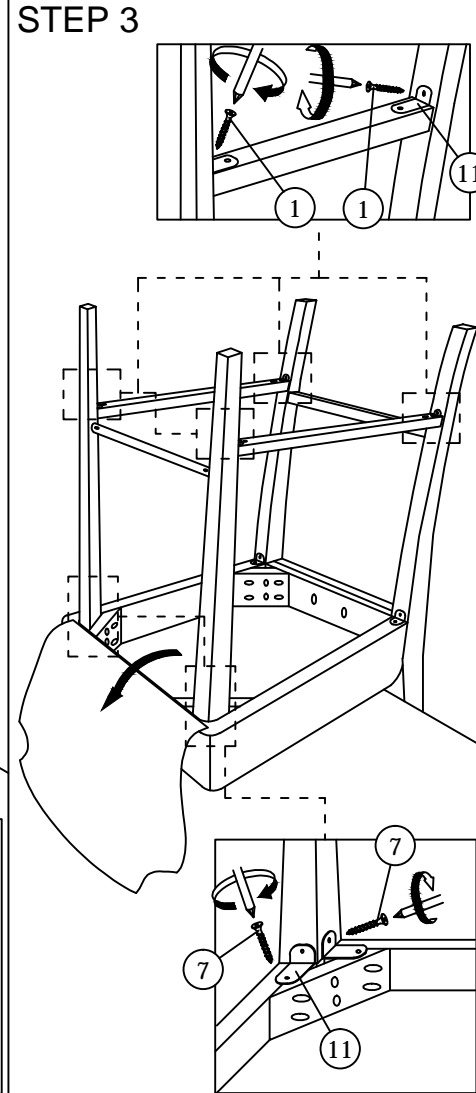
## STEP 1



## STEP 2



## STEP 3



## STEP 4

