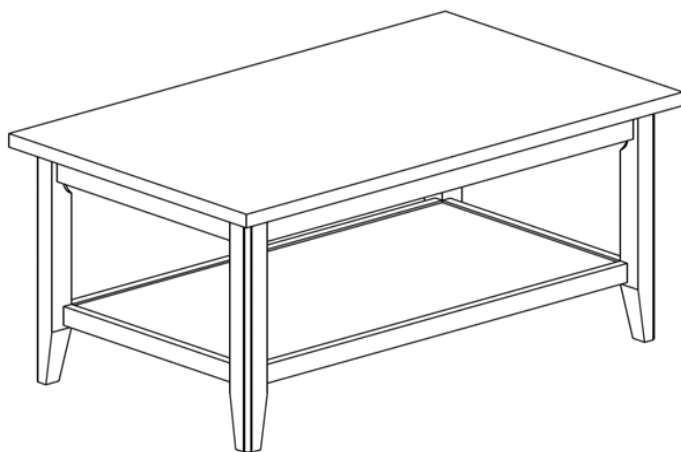


COFFEE TABLE

ASSEMBLY GUIDE



Important - Please read these instructions fully before starting assembly



**SAFETY AND
CARE ADVICE**



NO POWER TOOLS

SAFETY AND CARE ADVICE

- Check you have all the components and tools listed.
- Remove all fittings from the plastic bags and separate them into their groups.
- We do not recommend the use of power drills/drivers for inserting screws, as this could damage the unit. Only use hand screwdrivers and Allen keys.
- Keep children and animals away from the work area, small parts could cause choking if swallowed.
- Make sure you have enough space to layout the parts before starting.
- Assemble the item as close to its final position (in the same room) as possible.
- Do not overtighten the nuts to avoid causing damage to the threads.
- Only clean using a damp cloth and mild detergent, do not use bleach or abrasive cleaners.
- From time to time check that there are no loose screws on this unit
- This product should not be discarded with household waste. Take to your local authority waste disposal centre

IMPORTANT INFORMATION



30 MINUTE
BUILD







TWO
PERSON



MAXIMUM
CAPACITY 20Kg

PLEASE CHECK CAREFULLY AND MAKE SURE YOU HAVE ALL FITTINGS AND TOOLS LISTED BELOW BEFORE YOU START.

LIST OF PARTS		
No	Description	Qty
1	Table Top	1 PC
2	Table Leg	4 PCS
3	Shelf	1 PC

HARDWARE LIST		
No	Description	Qty
A	JCBC BOLT 	12 PCS
B	Spring Washer 	12 PCS
C	Flat Washer 	12 PCS
D	Allen Key 	1 PC

NOTE: The quantities above are the correct amount to complete the assembly. In some cases more fittings may be supplied than are required.

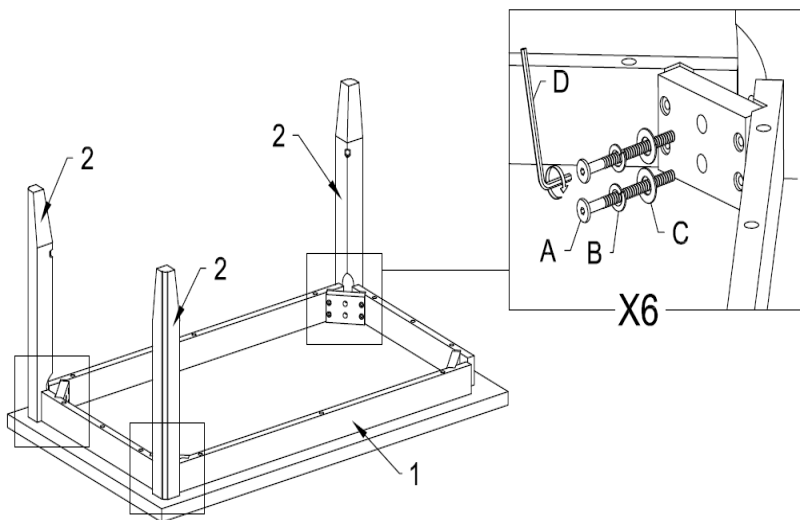
STEP 1

Use a clean, flat, soft surface to avoid any bumps or scratches.

Place table top [1] face down on your flat surface.

Attach 3x table legs [2] - align the pre-drilled holes and connect using 2x flat washers [C] + 2x spring washers [B] + 2x bolts [A] per leg - 6 in total.

Tighten with Allen key [D] but avoid over-tightening.



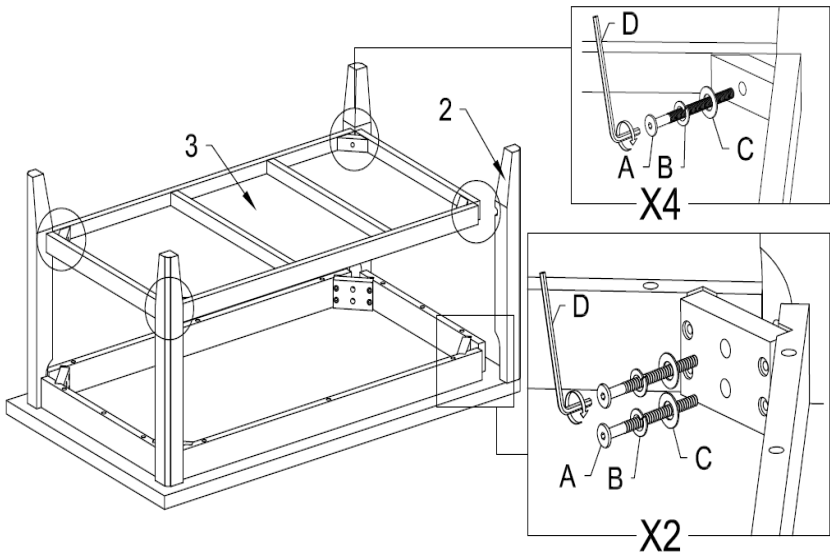
STEP 2

Next, attach the table shelf [3] - it is easier to get the shelf in place and attached to 3 legs, then attach the last leg.

For the shelf, use 1x flat washer [C] + 1x spring washer [B] + 1x bolt [A] on each corner.

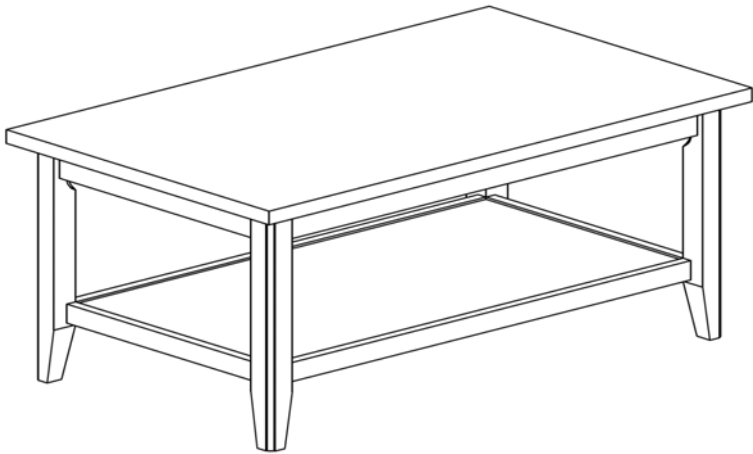
For the remaining leg [2], use align the pre-drilled holes and connect using 2x flat washers [C] + 2x spring washers [B] + 2x bolts [A].

Tighten with Allen key [D] but avoid over tightening.



STEP 3

Carefully and with help, flip your table upright onto its base. Check for stability. Your new table is now ready to use.





OUR 2 YEAR* GUARANTEE

our products come with a 2 year guarantee
to give you peace of mind shopping

*excludes some garden furniture items
which have a 1 year guarantee



WHAT THE GUARANTEE COVERS



PRE-INSERTED FIXINGS
e.g. lose metal threads



FAULTY JOINTS
e.g. legs bending



EXTERNAL FIXING FAULTS
e.g. bonding/glue



STRUCTURAL INTEGRITY
e.g. the frame of the
product