

Assembly Instructions

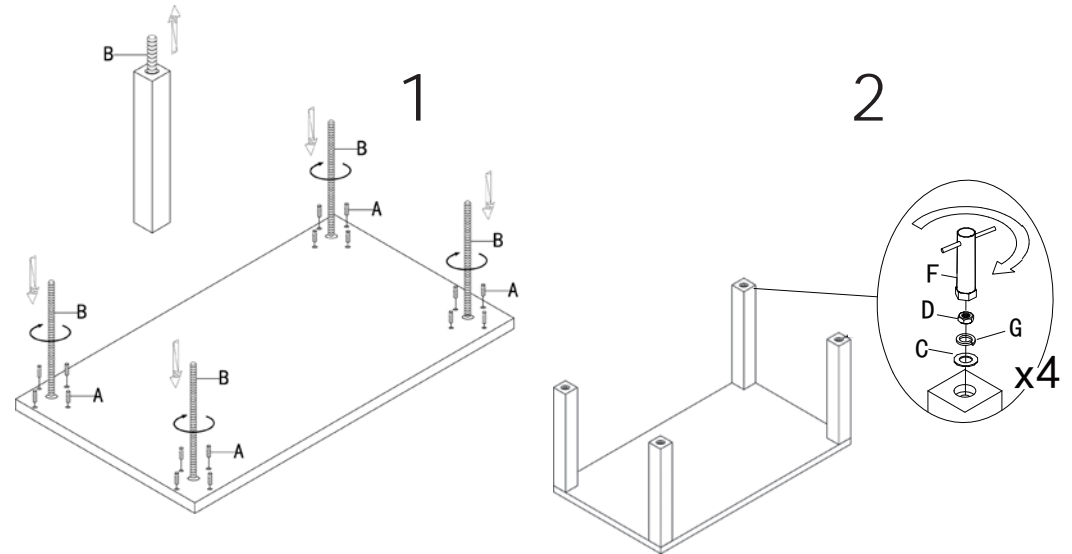
ABBY-63/84 Table






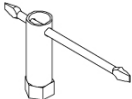
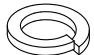


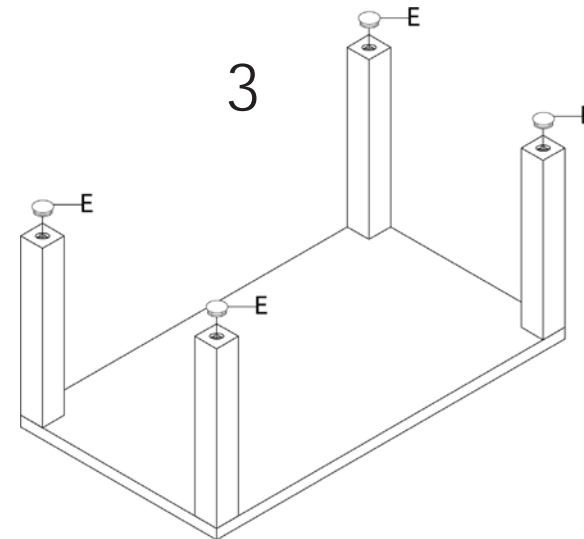
PLEASE NOTE: Check that you have received all components and hardware before assembling. If you are missing any parts, contact your retailer.



2 people recommended



- | | | |
|-----------|---|------------|
| A (8 pcs) |  | 10 x 30mm |
| B (4 pcs) |  | 10 x 723mm |
| C (4 pcs) |  | M35 x 2mm |
| D (4 pcs) |  | M10mm |
| E (4 pcs) |  | M50 x 15mm |
| F (1 pc) |  | M10mm |
| G (4 pcs) |  | M10mm |



During assembly, hand tighten screws only. When all screws are in place, then tighten completely.