

PEHH6093-360D - Patilo Outdoor LED USB/Solar Lantern



Installation notes

Charge lamp via solar or with the USB cable provided for 6-7 hrs or until charge indicator (red light) goes off.

Once charged Remove USB cable and use.

Hold down on/off switch to dim the lamp.

Refer to the instruction manual for further guidance.

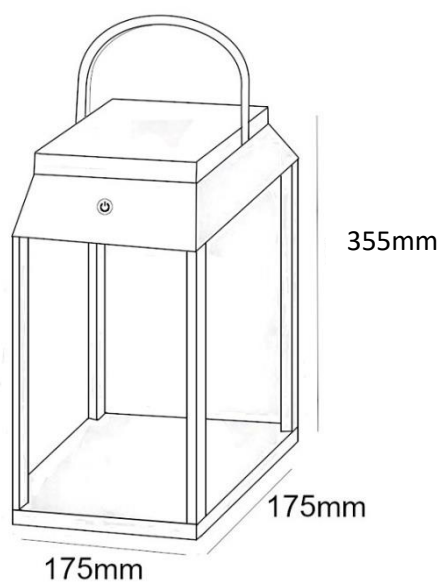
Note – This product must be installed by a qualified electrician.

USB charge time – 6-7 Hours

Solar charge time – 16-17 Hours

Part code	PEHH6093-360D
Diffuser	Clear
Dimensions (mm)	175x175x355
Construction	Aluminium
Finish	Black Powder coat
Class	Class III
IP rating	IP54
Wattage	3W
Lumen Output	260lm
CCT	3000K
Battery life	9 Hours
Battery type	2200mAh Lithium battery
Lamp included	Yes, non-replaceable
Dimmable	Yes, long hold on/off switch
Voltage	3.7V
Net weight (g)	1452
Gross weight (g)	2560
Warranty	2 Years
Manufactured in accordance with	BS EN 60598
Origin of manufacture	PRC





3 YEAR WARRANTY

Powder Coated Aluminium Body, Battery & Fitting

Exclusions: Damage by machinery, animals or the use of incorrect cleaning materials. Corrosion due to exposure to salt or chlorine. Damage due to incorrect installation practices. Responsibility for 3rd party cost; indirect or consequential loss.