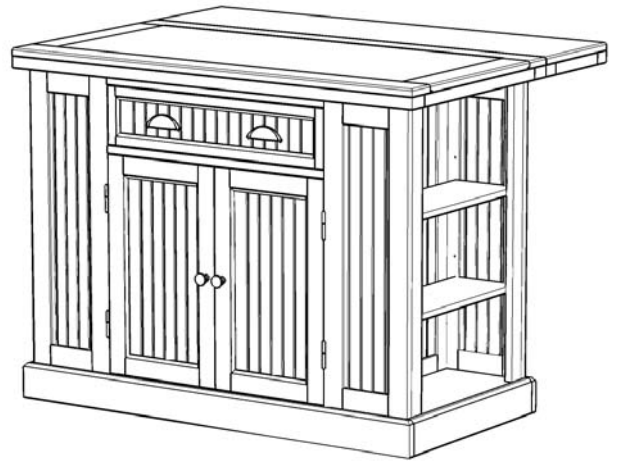


Kitchen Island

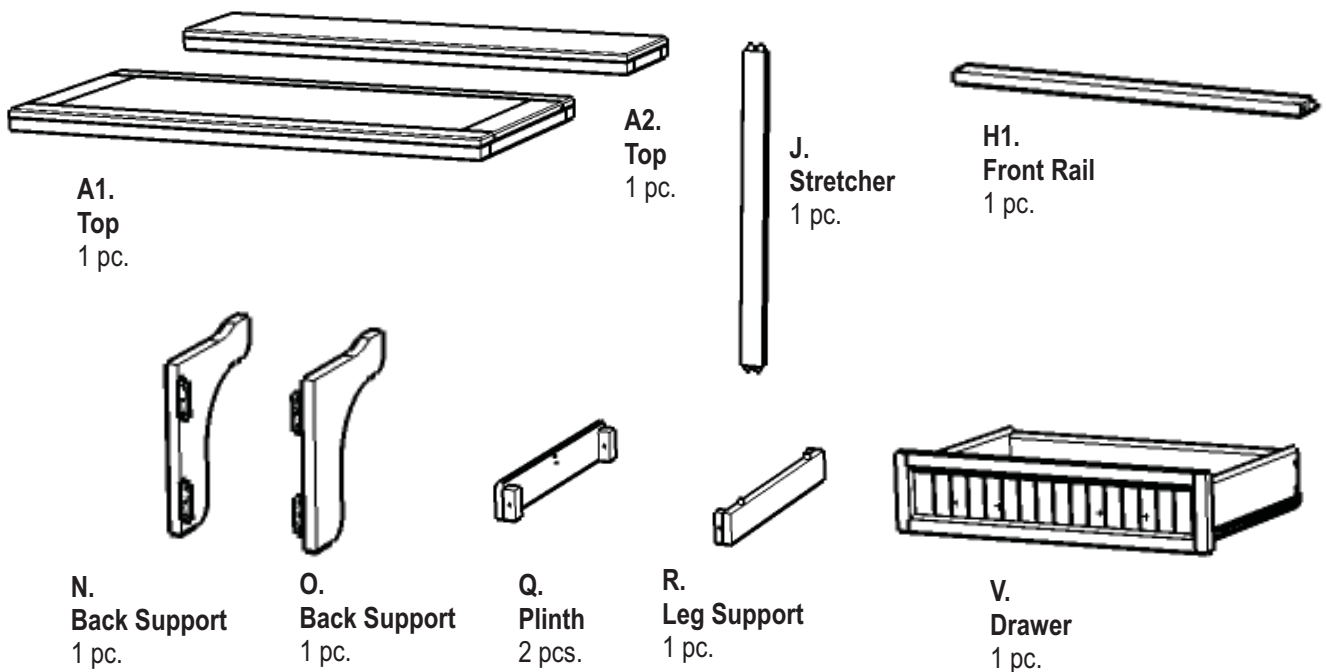
IMPORTANT NOTE

Carefully remove all the parts from the carton and put them individually on a soft cloth to prevent scratches or other damages occurring to the parts.

We have taken great care in the design of this product and request that you carefully and strictly follow our assembly instructions to ensure a completed product as it was designed.



Part List



Also need the following from carton

Part List in carton

Side Panel (B)	1 pc.
Side Panel (C)	1 pc.
Side Panel (D)	1 pc.
Side Panel (E)	1 pc.
Side Panel (F)	1 pc.
Side Panel (G)	1 pc.
Front Rail (H2)	2 pcs.
Back Stretcher (I)	2 pcs.
Back Panel (K)	2 pcs.
Shelf (L)	4 pcs.
Shelf (M)	1 pc.
Base (P)	1 pc.

Part List in carton

Plinth (S)	2 pcs.
Door (T)	1 pc.
Door (U)	1 pc.

Hardware List in carton

Hex Wrench	1 pc.
Small Hex Wrench	1 pc.
Cam Lock Screw	16 pcs.
Cam Lock	16 pcs.
Head Cap Bolt	24 pcs.
Adjustable Pin	20 pcs.
Pull Handle	2 pcs.
Knob	2 pcs.
Machine Screw	6 pcs.
Wood Screw (long)	8 pcs.
Wood Screw (short)	6 pcs.
Wood Screw for Hinge	27 pcs.

Tools required for assembly : **Phillips** screwdriver

Tools recommended for assembly :Level

HOW TO UNPACK THE GRANITE TOP

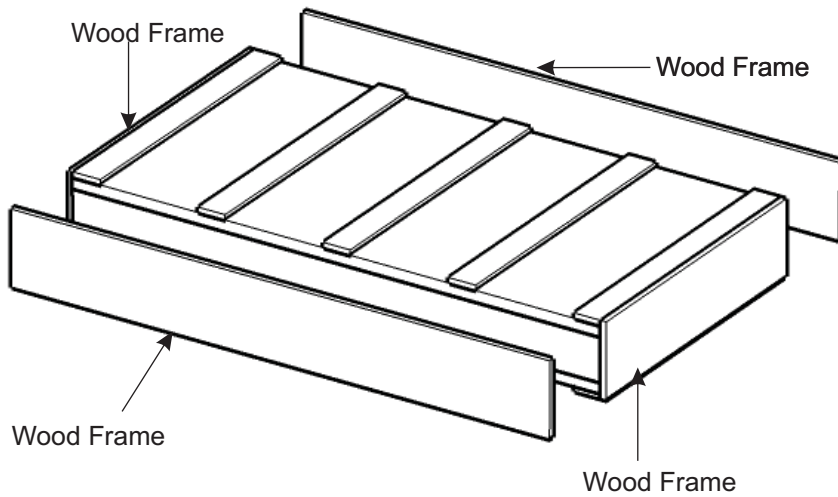
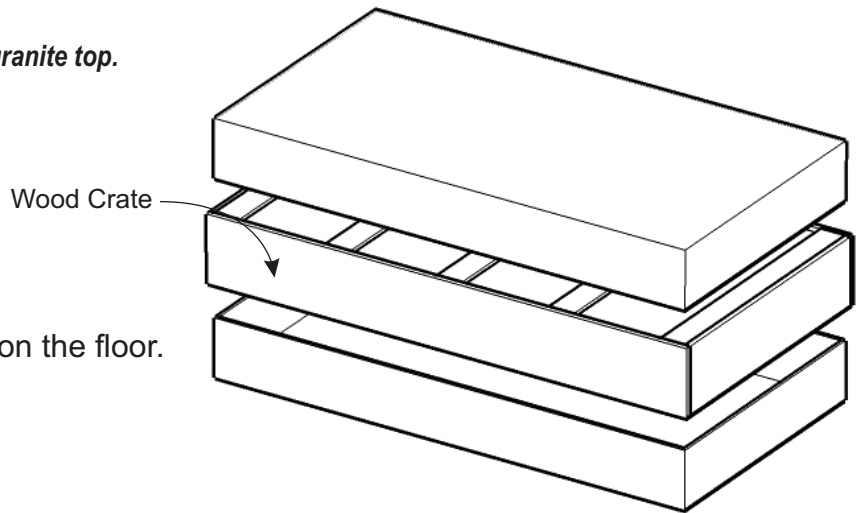
IMPORTANT

** Please follow these step to unpack the granite top.*

STEP 1

Open carton.

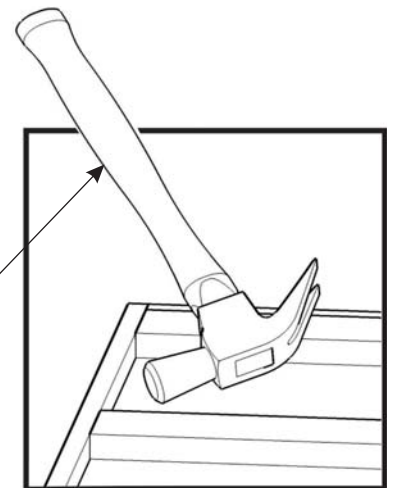
Remove wood crate and place it on the floor.



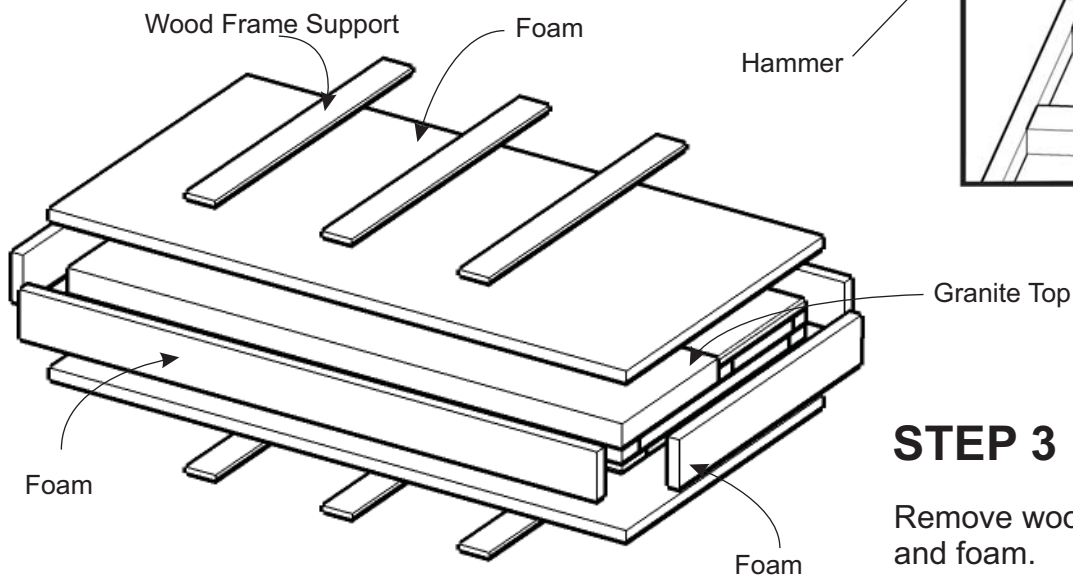
STEP 2

Use a hammer to knock out the wood framing. (see Figure 1)

NOTE : BE CAREFUL AND DO NOT HIT THE GRANITE TOP WITH THE HAMMER.



(Figure 1)



STEP 3

Remove wood frame supports and foam.