
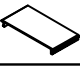
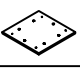









Assembly Instruction

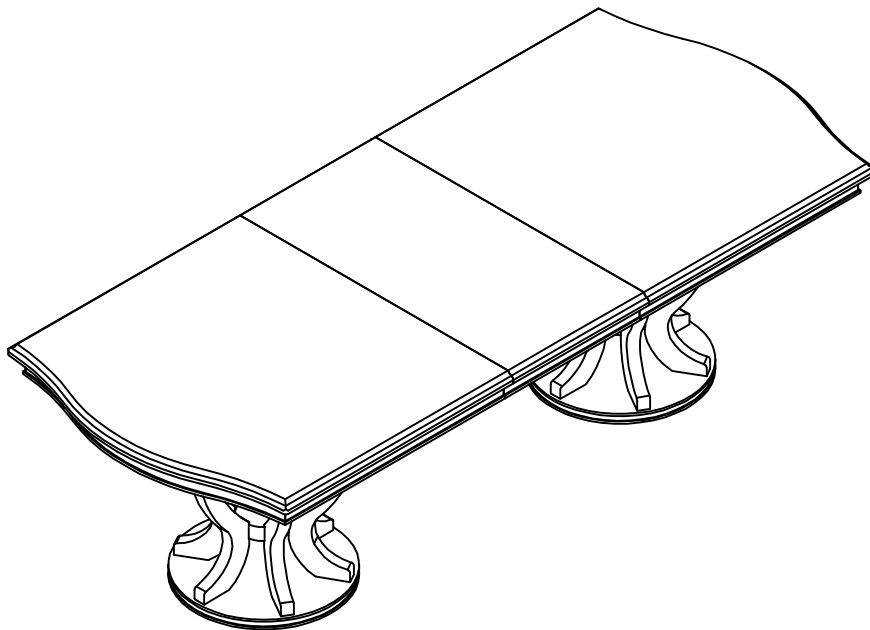
DINING TABLE

PARTS IDENTIFICATION

NO	Description	Quantity
A	TABLE TOP 	1 PC
B	LEAF 	1 PC
C	MOUNTING PLATE 	2 PCS
D	LEG 	12 PCS
E	ROUND CONNECT PANEL 	2 PCS
F	BASE 	2 PCS

HARDWARE LIST

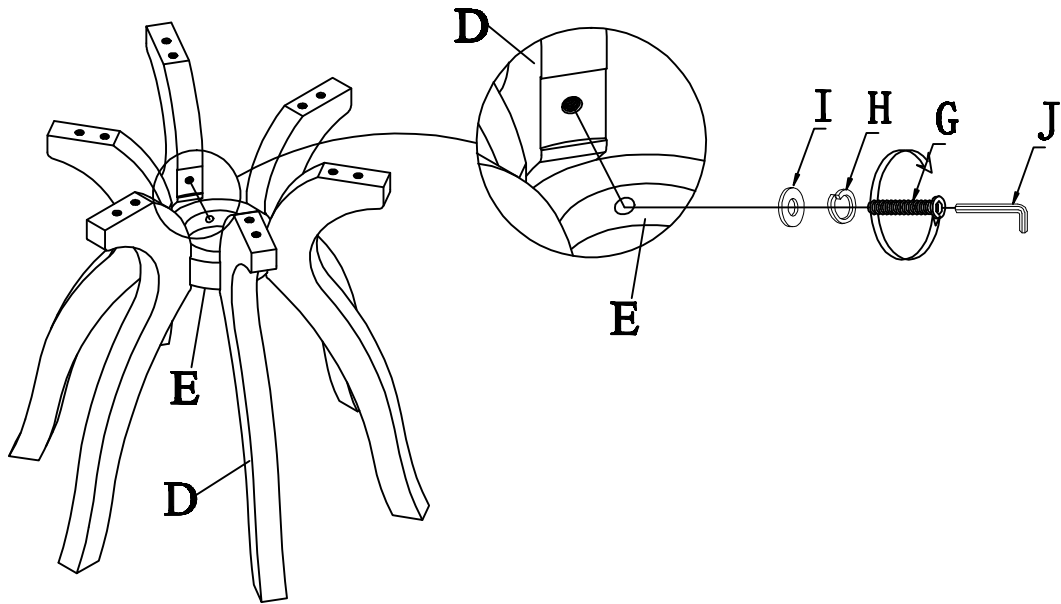
No.	Description	Sketch	Q'ty
G	Allen Bolt Ø5/16"x2"		56 PCS
H	Lock Washer Ø5/16"		56 PCS
I	Flat Washer Ø5/16 x 19 mm		56 PCS
J	Allen Key 4mm		1 PC



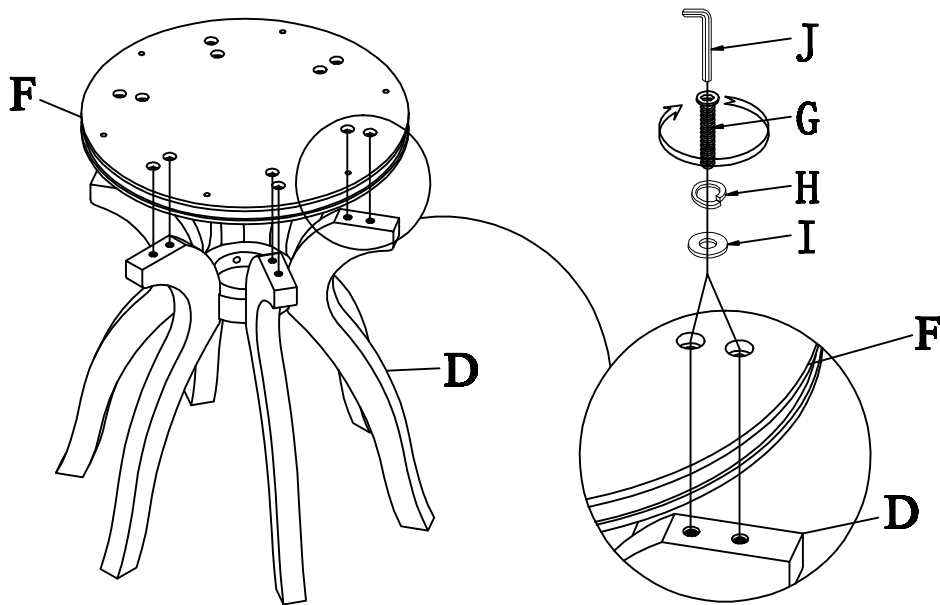
Assembly Instruction

DINING TABLE

STEP 1:



STEP 2:

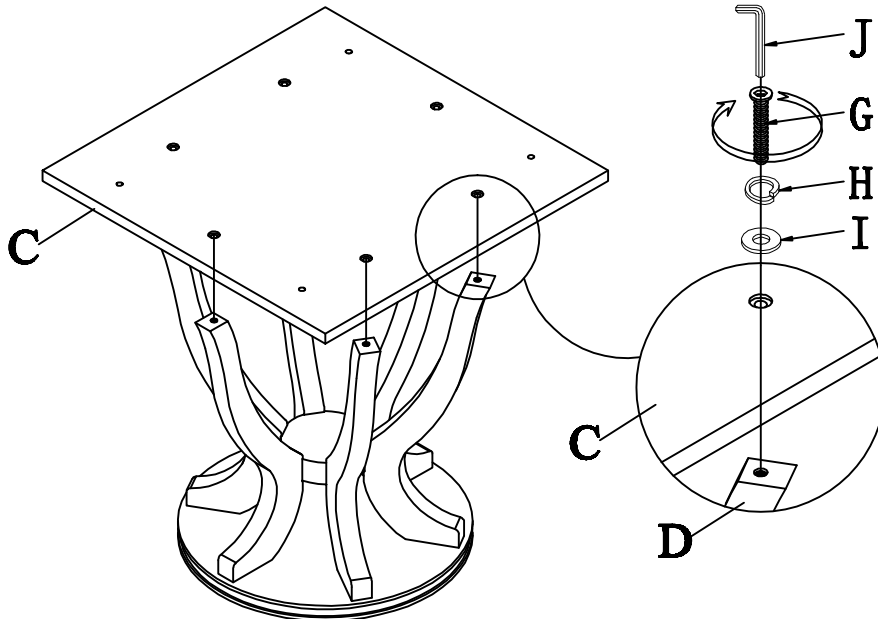


For items use on wooden floor, hard surfaces or carpets, it is recommended to install protective pads under all legs and supports to avoid/prevent from damages/scratches and discoloration.

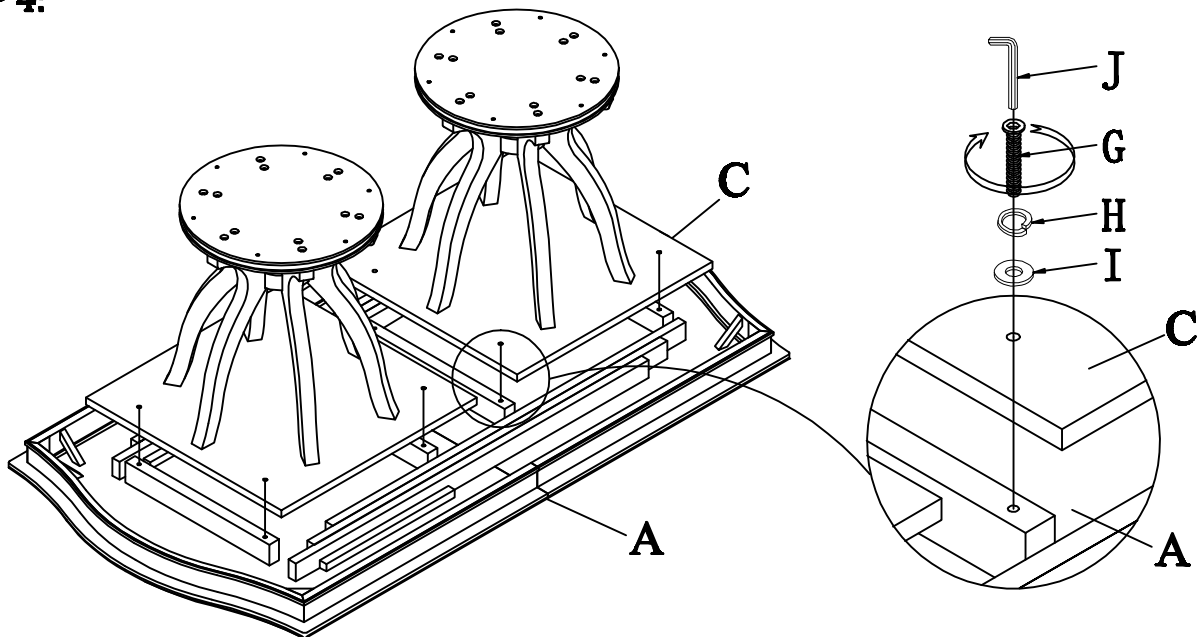
Assembly Instruction

DINING TABLE

STEP 3:



STEP 4:

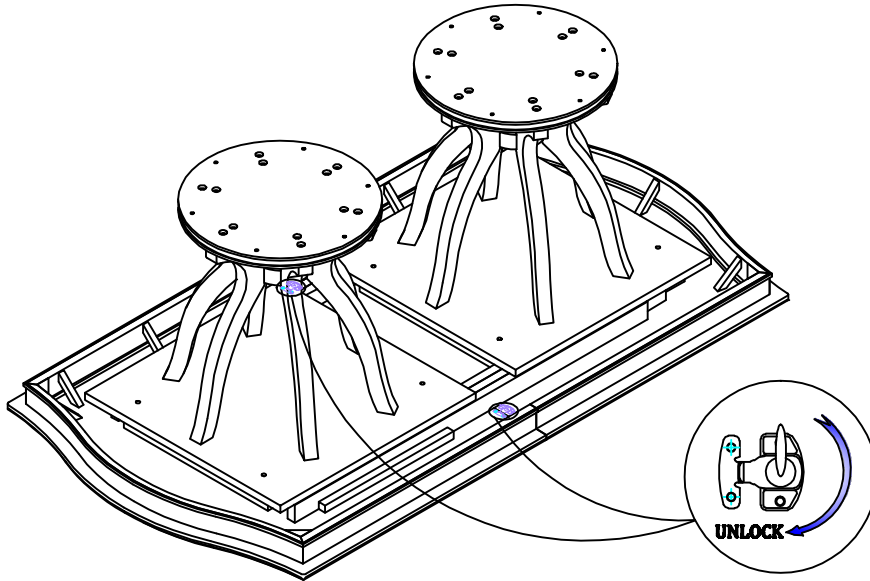


For items use on wooden floor, hard surfaces or carpets, it is recommended to install protective pads under all legs and supports to avoid/prevent from damages/scratches and discoloration.

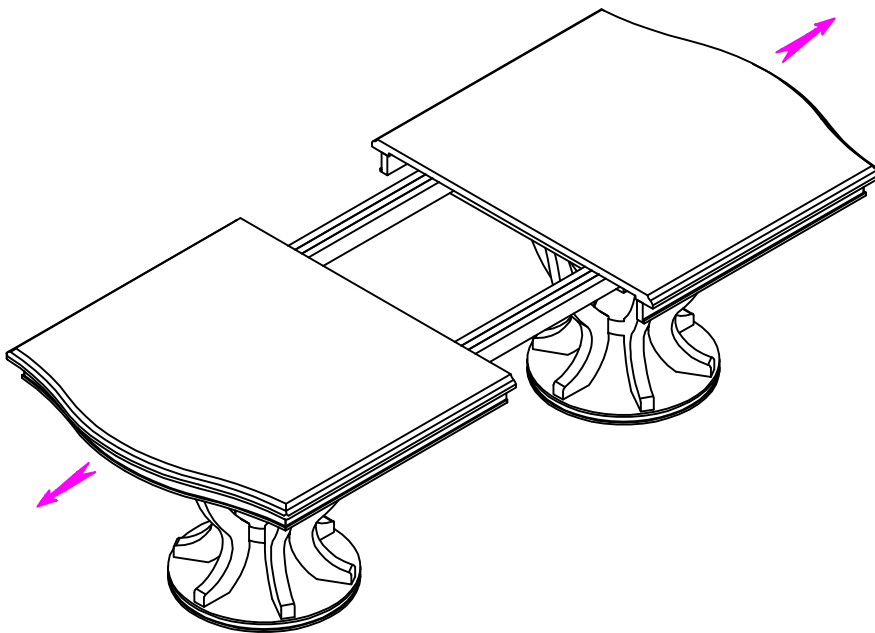
Assembly Instruction

DINING TABLE

STEP 5:



STEP 6:

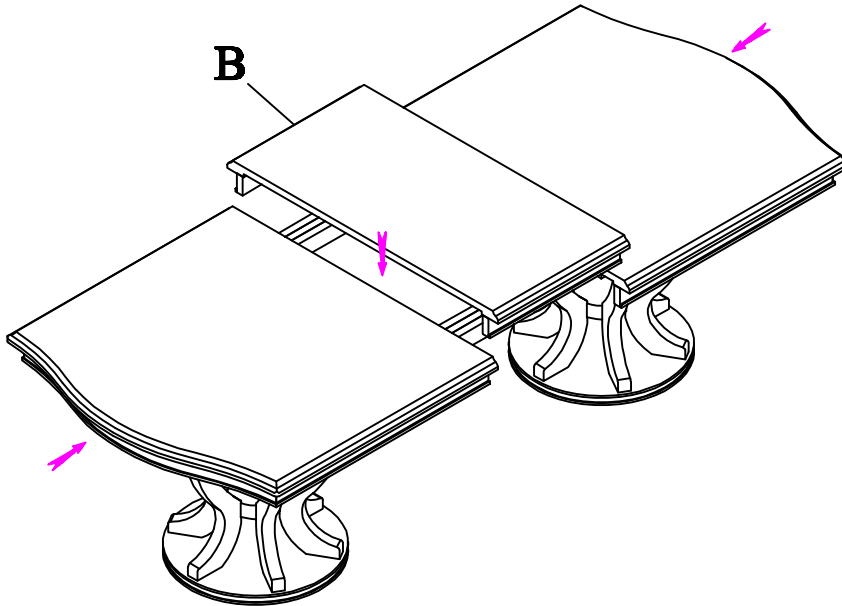


For items use on wooden floor, hard surfaces or carpets, it is recommended to install protective pads under all legs and supports to avoid/prevent from damages/scratches and discoloration.

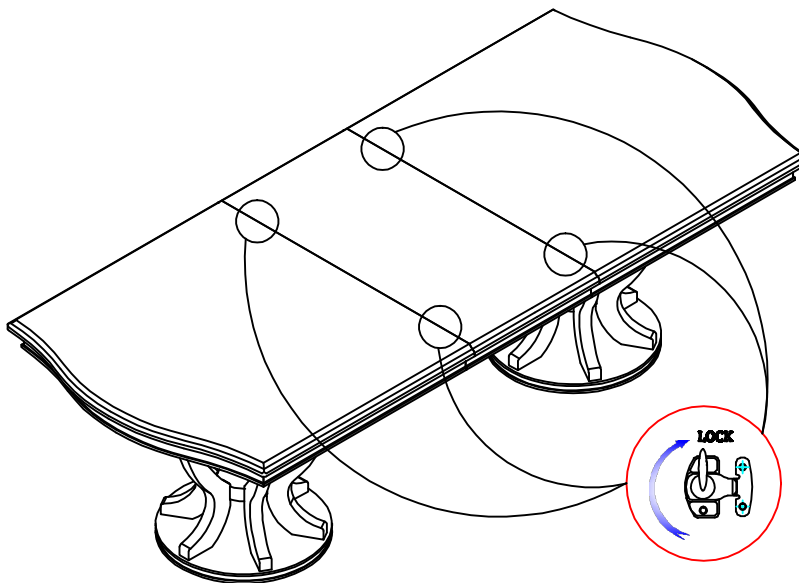
Assembly Instruction

DINING TABLE

STEP 7:



STEP 8:



For items use on wooden floor, hard surfaces or carpets, it is recommended to install protective pads under all legs and supports to avoid/prevent from damages/scratches and discoloration.