

NOTICE

*Please make sure that you have all parts indicated and they are in good condition before you begin assembly of this item. Refer to part list and hardware list below for guidance.

*This item should be assembled on a soft surface to prevent scratching the finish during assembly.

*This item may require periodic tightening.

PREPARATION

* Before beginning assembly of product, make sure all parts are present. Compare parts with part contents list and hardware contents list.

* If any part is missing or damaged, do not attempt to assemble the product.

* Estimated Assembly Time: 10 minutes.

* Tools Required for Assembly (included): Allen Key

CARE AND MAINTENANCE

OUTDOOR FURNITURE CARE

Store outdoor furniture indoors or cover well when not in use. Remove wooden furniture from standing water.

Dust regularly with small brush or vacuum.

Spills should be taken care of immediately before they harden or stain with a slightly dampened sponge.

UPHOLSTERY CARE

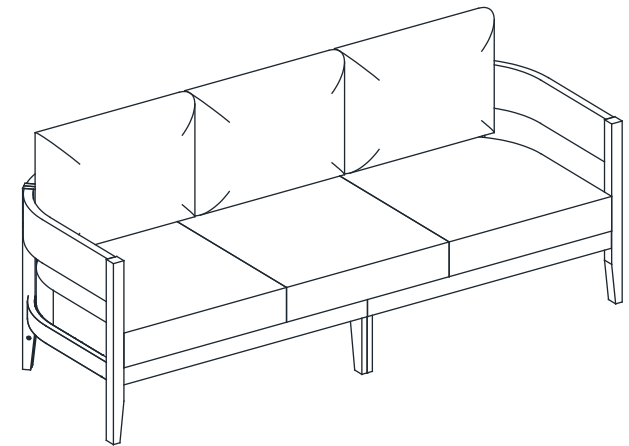
To prevent overall soiling, frequent vacuuming or light brushing is recommended. Cushions and pillows should be turned on a weekly basis.

Down-filled cushions should be brushed rather than vacuumed. Spot clean, using a mild water-free solvent or dry cleaning product. Only a professional cleaner should undertake a complete overall cleaning.

The use of steam or water-based cleaners may cause excessive shrinking or staining.

Owner Manual

Product Dimensions: 76.38" W x 29.52" D x 25.0" H



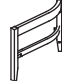


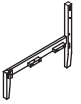
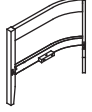
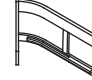


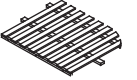

Weight Capacity : 600 lbs

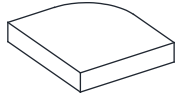
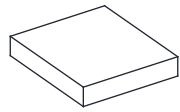
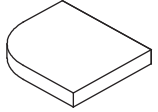




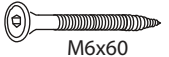

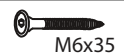
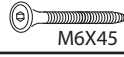

Warning : Do not stand on bench

Warning : Do not over torque bolts / screws



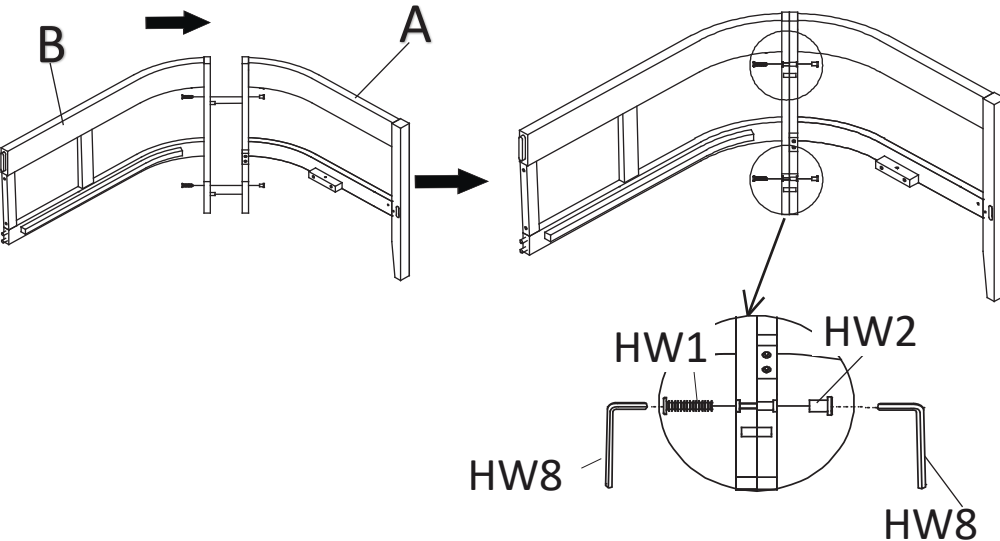
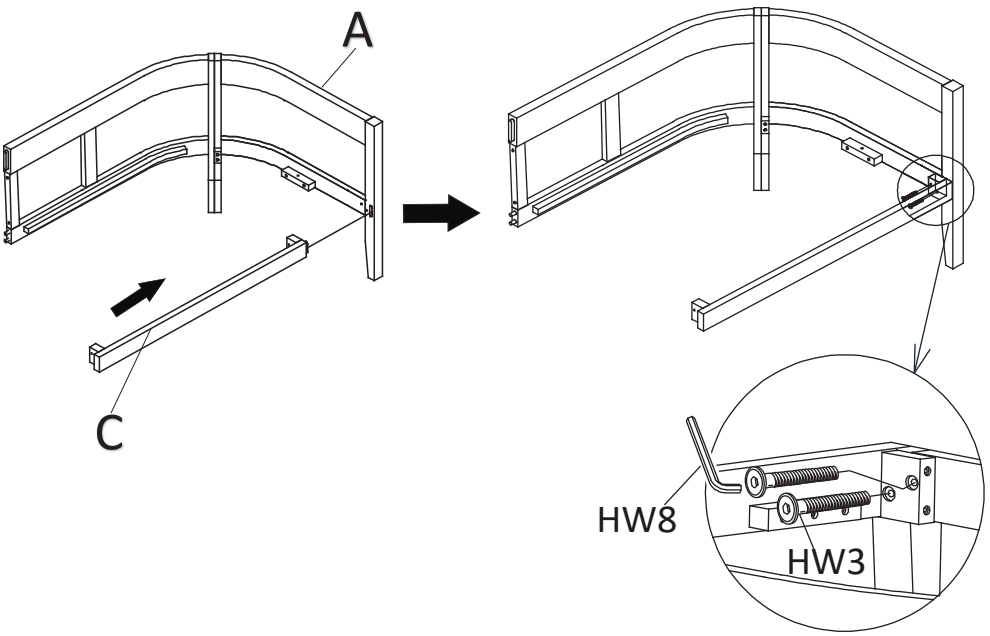
Part List and Hardware List

PIECE	DESCRIPTION	PICTURE	QUANTITY
A	Left Leg Panel		1X
B	Left Backrest Panel		1X
C	Left Support Bar		1X
D	Left Middle Leg Panel		1X
E	Right Leg Panel		1X
F	Right Backrest Panel		1X
G	Right Support Bar		1X
H	Right Middle Leg Panel		1X
I	Left Seat Panel		1X
J	Right Seat Panel		1X

PIECE	DESCRIPTION	PICTURE	QUANTITY
CSH1	Left Seat Cushion		1X
CSH2	Middle Seat cushion		1X
CSH3	Right Seat Cushion		1X
CSH4	Back Cushion		3X
HW1	Allen Bolt: M6x0.5x30 mm		8X
HW2	Insert Nut		10X
HW3	Allen Bolt: M6x0.5x45 mm		8X
HW4	Screws M6x0.5x60 mm		4X
HW5	Allen Bolt: M6x0.5x100 mm		2X
HW6	Screws M6x0.5x35 mm		4X
HW7	Screws M6x0.5x45 mm		4X
HW8	Allen key		2X

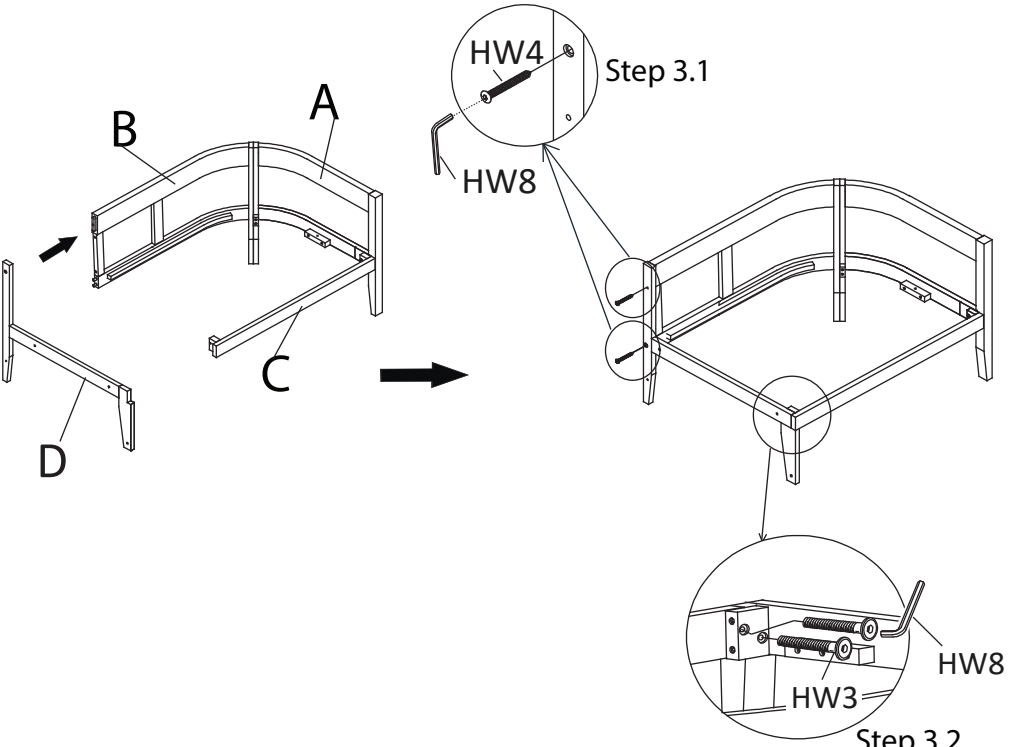
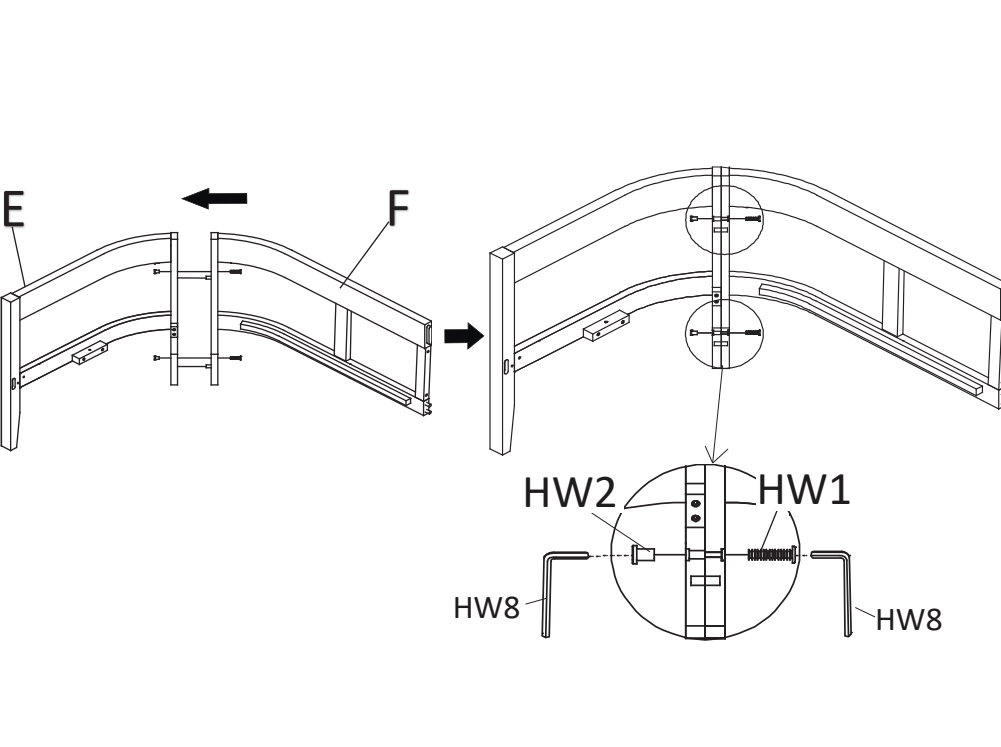
PREPARATION

- *Before beginning assembly of product, make sure all parts are present. Compare parts with package contents list and hardware contents list.
- *If any part is missing or damaged, do not attempt to assemble the product.
- * Estimated Assembly Time : 10 minutes.
- * Tools Required for Assembly (included): Allen Key
- * If you are having difficulty, our friendly Customer care team is always here to help.

<p>1</p> 	<p>2</p> 
<p>Step 1</p> <p>Attach the Left Backrest Panel (B) to the Left leg Panel (A) using Bolts(HW1), Insert Nuts(HW2) and the Allen kay (HW8) as shown above.</p>	<p>Step 2</p> <p>Attach the Left Support Bar (C) to the Left leg Panel (A) using Bolts(HW3), the Allen kay (HW8) as shown above.</p>

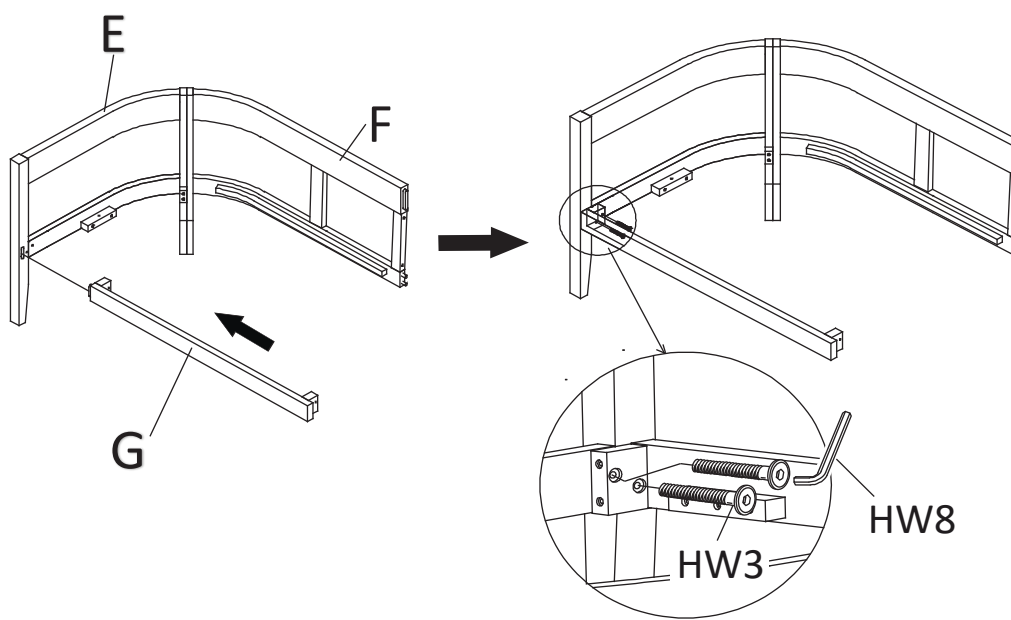
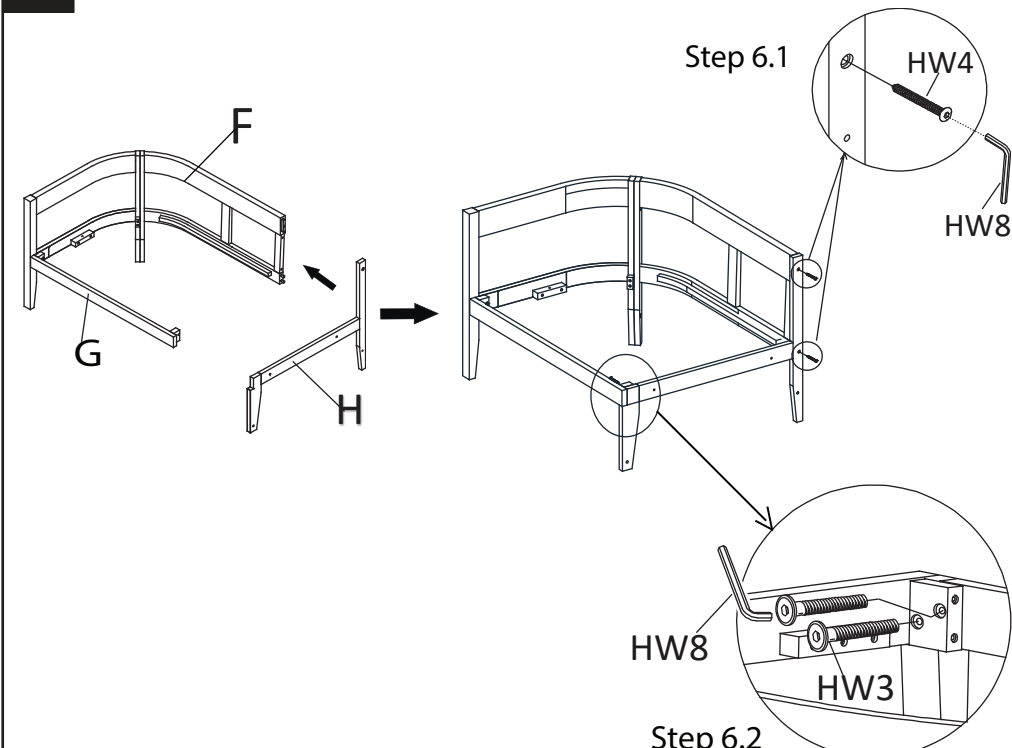
PREPARATION

- *Before beginning assembly of product, make sure all parts are present. Compare parts with package contents list and hardware contents list.
- *If any part is missing or damaged, do not attempt to assemble the product.
- * Estimated Assembly Time : 10 minutes.
- * Tools Required for Assembly (included): Allen Key
- * If you are having difficulty, our friendly Customer care team is always here to help.

<p>3</p>  <p>Step 3.1</p> <p>Step 3.2</p>	<p>4</p>  <p>Step 4</p>
<p>Step 3.1 Attach the Left Middle Leg Panel (D) to the Left Backrest Panel (B) using Screws (HW4) and the Allen key (HW8) as shown above.</p> <p>Step 3.2 Attach the Left Middle Leg Panel (D) to the Left Support Bar (C) using Bolts (HW3) and the Allen key (HW8) as shown above.</p>	<p>Step 4 Attach the Right Backrest Panel (F) to the Right leg Panel (E) using Bolts(HW1), Insert Nuts(HW2) and the Allen key (HW8) as shown above.</p>

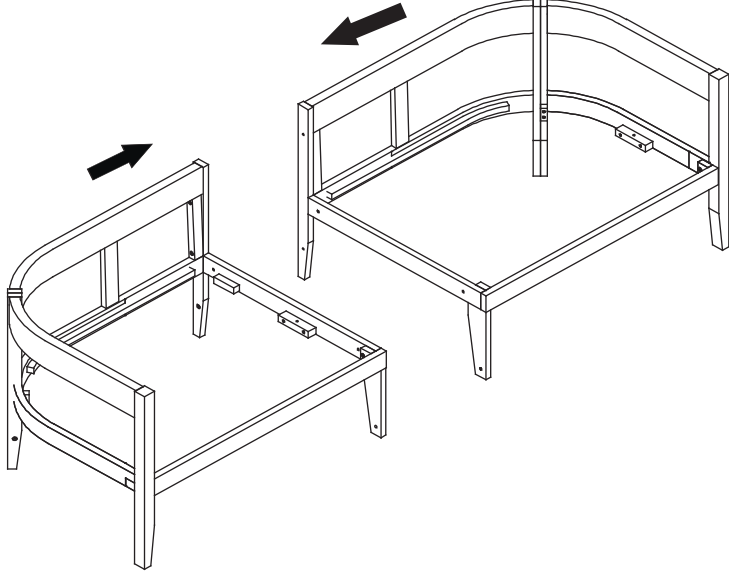
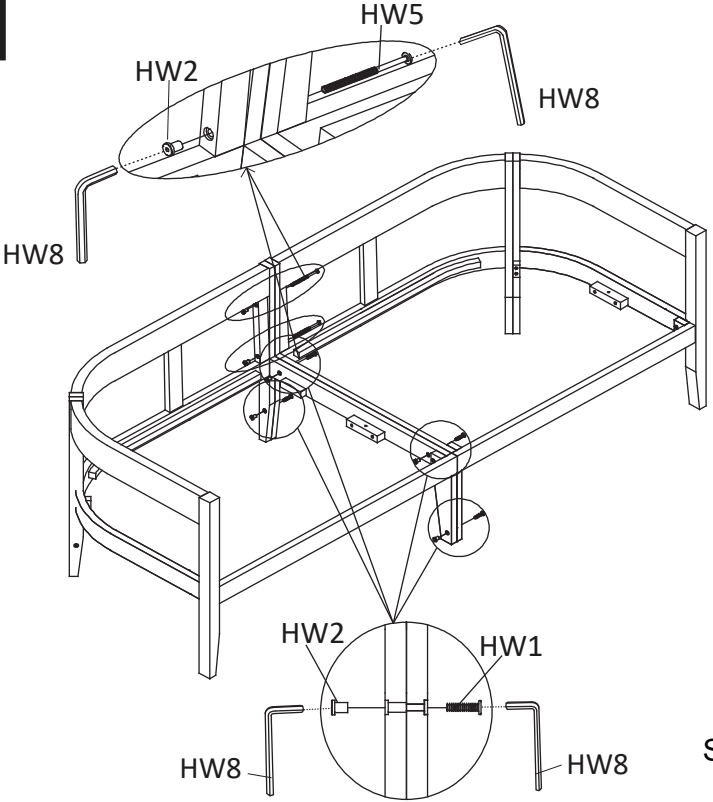
PREPARATION

- *Before beginning assembly of product, make sure all parts are present. Compare parts with package contents list and hardware contents list.
- *If any part is missing or damaged, do not attempt to assemble the product.
- *Estimated Assembly Time : 10 minutes.
- * Tools Required for Assembly (included): Allen Key
- * If you are having difficulty, our friendly Customer care team is always here to help.

<p>5</p> 	<p>6</p> 
<p>Step 5</p> <p>Attach the Right Support Bar (G) to the Right leg Panel (E) using Bolts(HW3), the Allen key (HW8) as shown above.</p>	<p>Step 6.1</p> <p>Attach the Right Middle Leg Panel (H) to the Right Backrest Panel (F) using Screws (HW4) and the Allen key (HW8) as shown above.</p> <p>Step 6.2</p> <p>Attach the Right Middle Leg Panel (H) to the Right Support Bar (G) using Bolts (HW3) and the Allen key (HW8) as shown above.</p>

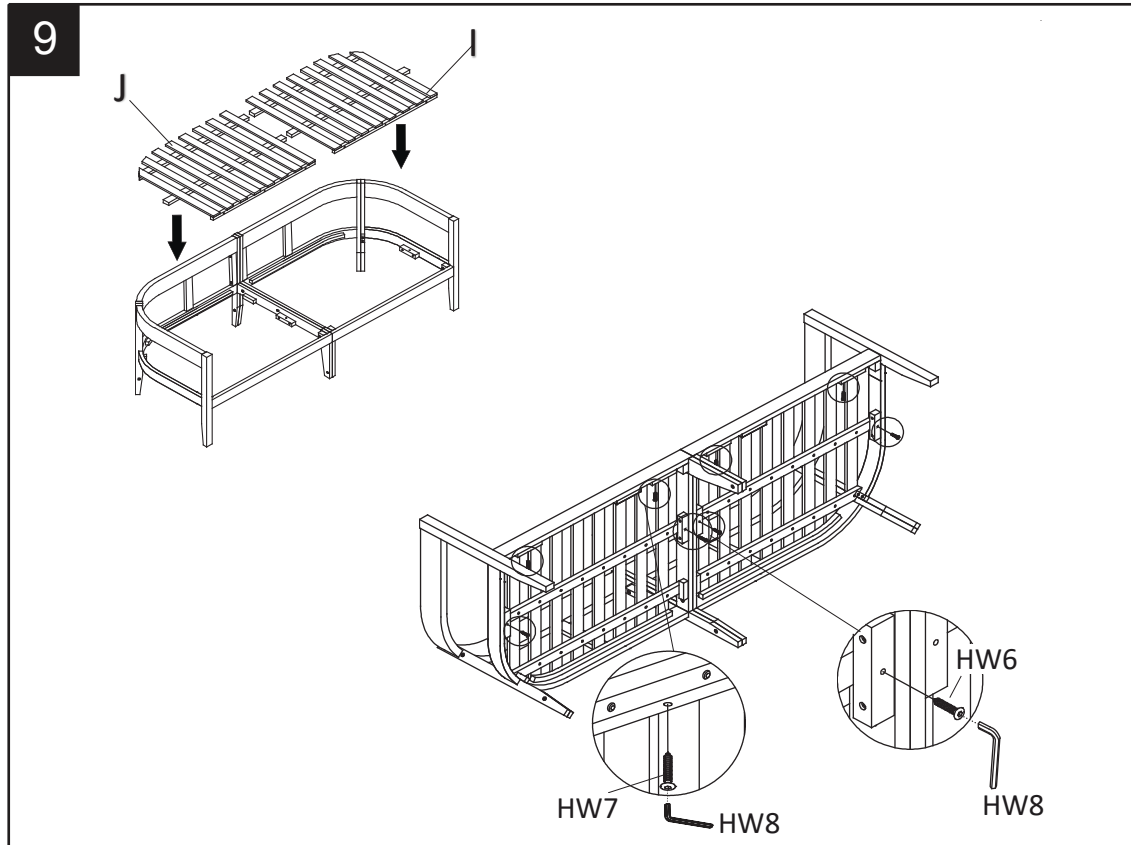
PREPARATION

- *Before beginning assembly of product, make sure all parts are present. Compare parts with package contents list and hardware contents list.
- *If any part is missing or damaged, do not attempt to assemble the product.
- * Estimated Assembly Time : 10 minutes.
- * Tools Required for Assembly (included): Allen Key
- * If you are having difficulty, our friendly Customer care team is always here to help.

<p>7</p> 	<p>8</p> <p>Step 8.1</p>  <p>Step 8.2</p>
<p>Step 7</p> <p>With assistance from your adult partner(s), attach the assembled parts in step 7 to the assembled parts in step 3</p>	<p>Step 8.1</p> <p>using Bolts (HW5) and Insert Nuts (HW2) the Allenkey(HW8) as shown above.</p> <p>Step 8.2</p> <p>using Bolts (HW1) and Insert Nuts (HW2) the Allenkey(HW8) as shown above.</p>

PREPARATION

- *Before beginning assembly of product, make sure all parts are present. Compare parts with package contents list and hardware contents list.
- *If any part is missing or damaged, do not attempt to assemble the product.
- * Estimated Assembly Time : 10 minutes.
- * Tools Required for Assembly (included): Allen Key
- * If you are having difficulty, our friendly Customer care team is always here to help.



Step 9

Attach the Seat Panel (I), (J) into the Chair as shown in picture above.
Affix the Seat Panel (I),(J) to the Chair using Screws(HW6),(HW7) and the Allen (HW8).
Note: Insert the Screws(HW7) from the inside to the outside of the Seat Panel(I),(J).



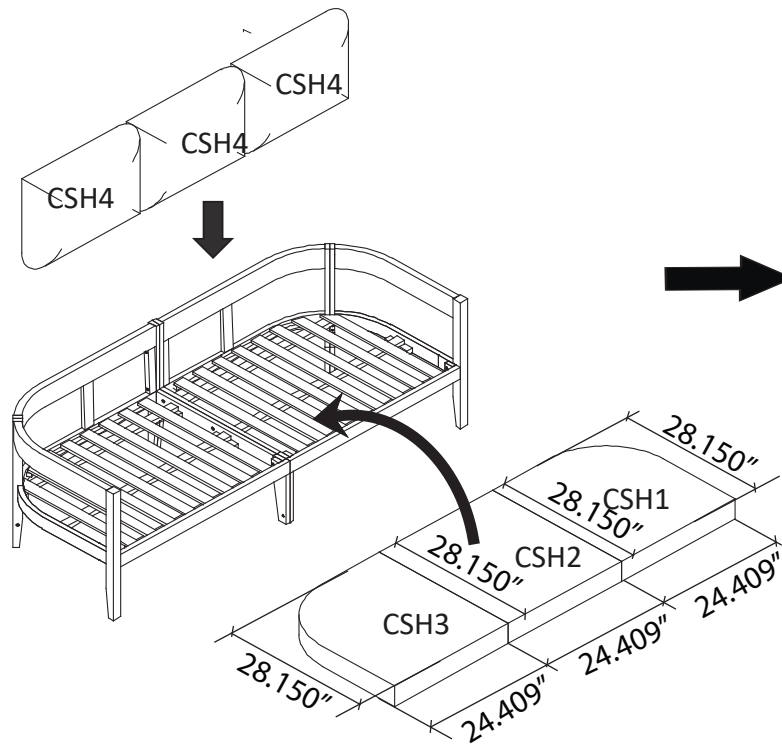
Step 10

Turn the 3 Seater right side up.

PREPARATION

- *Before beginning assembly of product, make sure all parts are present. Compare parts with package contents list and hardware contents list.
- *If any part is missing or damaged, do not attempt to assemble the product.
- * Estimated Assembly Time : 10 minutes.
- * Tools Required for Assembly (included): Allen Key
- * If you are having difficulty, our friendly Customer care team is always here to help.

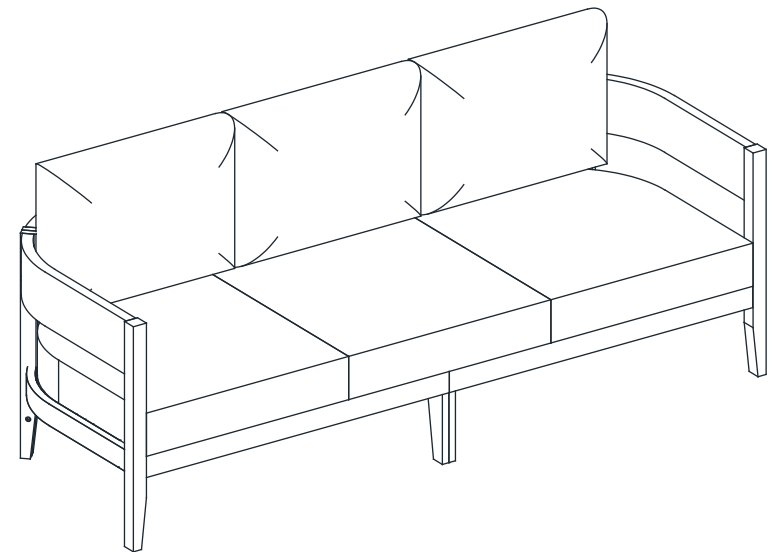
11



Step 11

Place the Right Seat Cushion (CSH3), Middle seat cushion (CSH2), Left Seat Cushion (CSH1) and the Back Cushions (CSH4) onto the 3 Seater.

12



Step 12

Your Chair is ready to be used.