

Project:

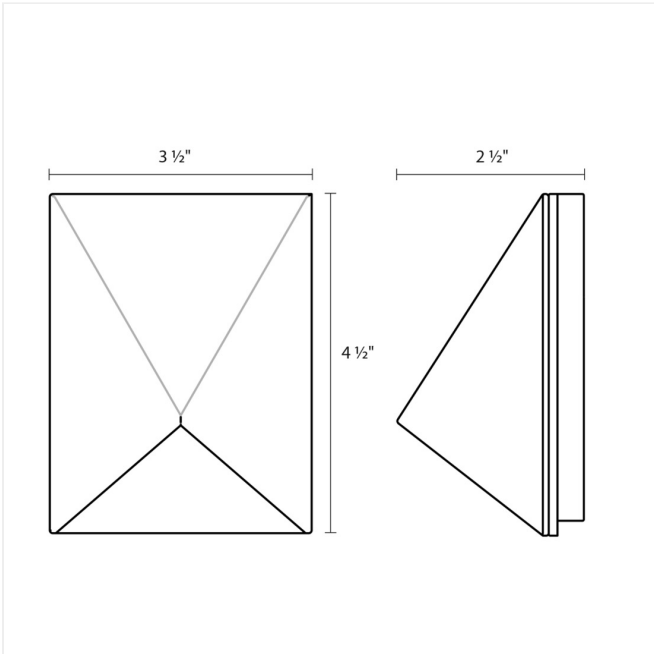
Triform Compact LED Sconce Spec Sheet

SKU: 7320.72-WL

Compact luminaires direct light down from the pure geometry of a triangular prism. Also available as a [Bollard](#) and [Double Bollard](#).

Learn more: <https://sonnemanlight.com/triform-compact-led-sconce>

Type #:



Dimensions

Height:	4.5"
Width:	3.5"
Extends:	2.5"
Minimum Extension:	2.5"
Maximum Extension:	2.5"
Canopy/Backplate/Base Width:	3"
Canopy/Backplate/Base Depth:	0.5"
Canopy/Backplate/Base Height:	4.25"

Electrical Specs

Bulb(s) Included?:	Yes
Bulb 1 Type:	Integral LED
Bulb Quantity:	1
Input Voltage:	100-277VAC
Wattage:	10
Initial Lumens:	980
Kelvin:	3000K
CRI:	90
Power Supply Type:	Transformer
Power Supply Quantity:	1
Power Supply Location:	Outlet Box
Dimming Type:	TRIAC
Bulb Max Wattage:	10

Installation

Installation:	Licensed electrician required
Installation Orientation:	Vertical

Shipping

Carton 1 L x W x H:	6" X 7" X 6"
Carton 1 Gross Weight:	2 LBS

Shade

Shade Material:	Diecast Aluminum
-----------------	------------------

General Listings

Features:	Wet Rated
Certification:	C-ETL-US
Color/Finish:	Textured Bronze (.72)
Dark Sky Friendly:	Y

Available Finishes

Available Finishes:	Textured Bronze (.72), Textured Gray (.74), Textured White (.98)
---------------------	---

Available Color Temperatures

Available Color Temperatures:	3000k
-------------------------------	-------