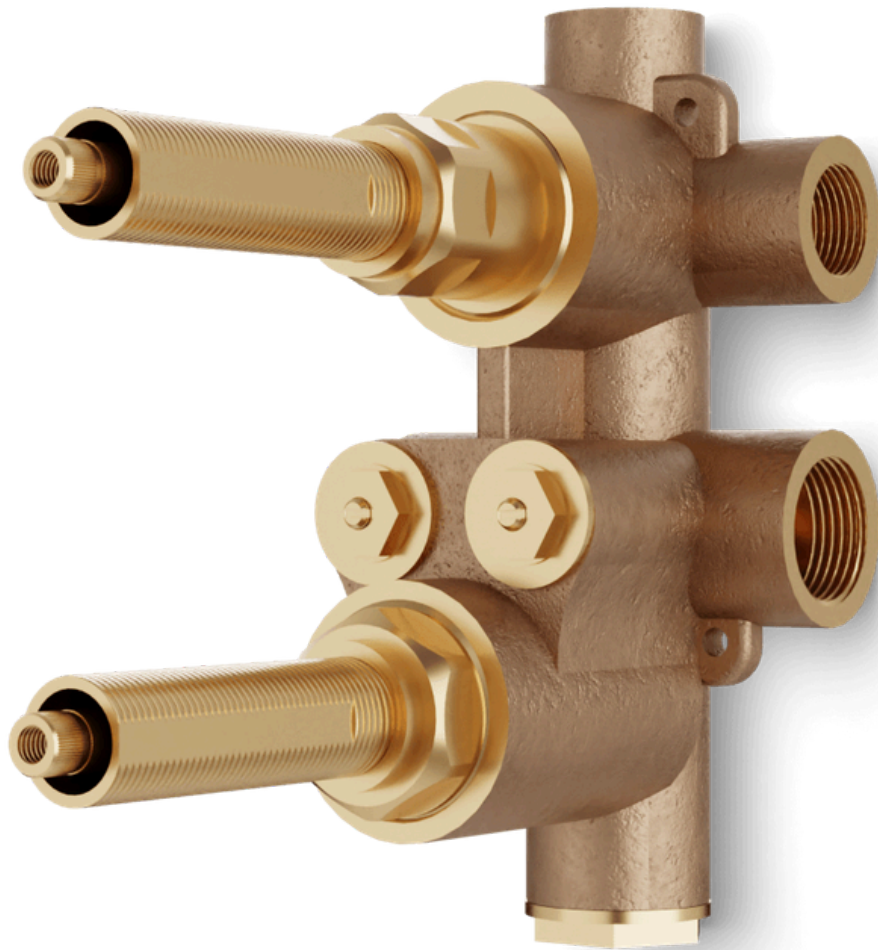


# F973ANSVO

3/4" Thermostat Valve with 3-Way Non-Shared  
Diverter & Off Position

artos®

**INSTALLATION GUIDE**



---

Operates with 1-3 Outlet Functions

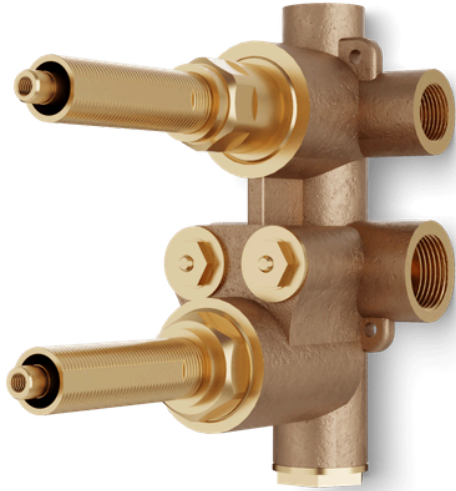
---

# F973ANSVO

3/4" Thermostat Valve with 3-Way Non-Shared Diverter & Off Position

artos®

## OPERATING SPECIFICATIONS



Operates with 1-3 Outlet Functions

### MIXED WATER TEMPERATURE

Maximum: 120°

### OPERATING TEMPERATURE

Maximum: 176°

Minimum: 50°

Minimum difference between hot mixed temperature 50°

### OPERATING PRESSURE

Minimum: 20psi

Maximum: 125psi

Recommended: 30psi-95psi

Operating pressures (on hot and cold lines) should be kept as balanced as possible, in order to assure the maximum efficiency

### FLOW RATE

8 USGPM at 60PSI

### MATERIAL

Solid Brass

### STANDARDS

ASSE 1016.ASME A112.18.1/CSA B123.1

To view all standards, please visit product approvals in our learning hub at [artos.us.com](https://artos.us.com)



All technical specifications, product details, and pricing are subject to change without prior notice. Artos makes every effort to ensure accuracy; however, errors or omissions may occur. It is the responsibility of the installer, designer, or purchaser to verify all critical dimensions, installation requirements, and compliance with applicable codes prior to use.

Artos assumes no liability for damages, losses, or injuries resulting from the use of this documentation or from product installation, operation, or maintenance performed outside of Artos instructions and applicable codes. Product warranties are limited to those expressly stated by Artos. Please refer to official warranty documentation for complete terms and conditions.

All drawings, manuals, and specifications are the property of Artos and may not be reproduced, distributed, or altered without prior written permission.

# F973ANSVO

artos®

3/4" Thermostat Valve with 3-Way Non-Shared  
Diverter & Off Position

**INDEX**

## INDEX

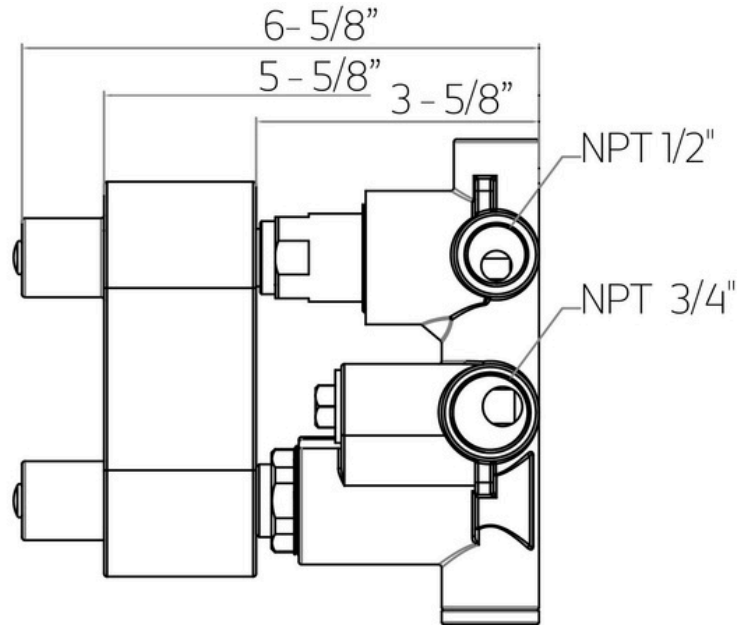
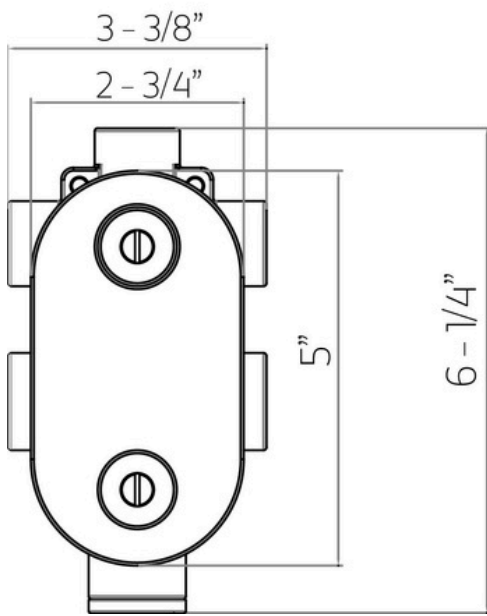
Product Dimensions - F973ANSVO.....	pg:4
Functionality Diagram.....	pg:5
3/4" Thermostat Valve Installation.....	pg:6-10
Parts Breakdown - F973ANSVO.....	pg:11

# F973ANSVO

3/4" Thermostat Valve with 3-Way Non-Shared Diverter & Off Position

artos®

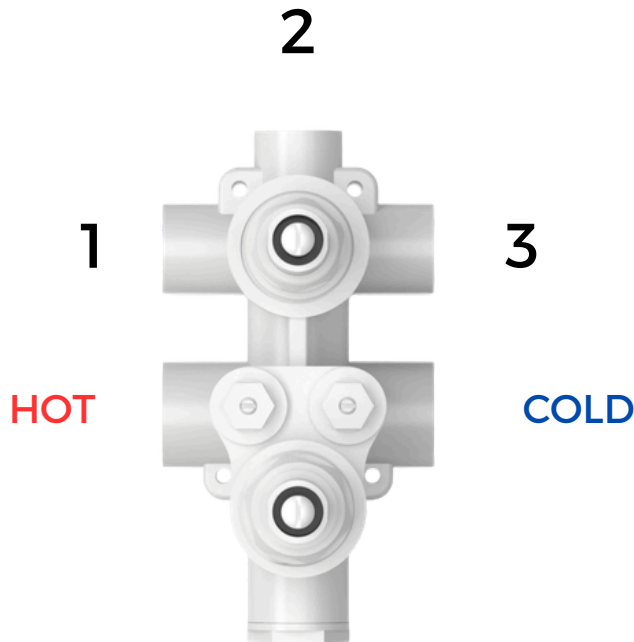
## PRODUCT DIMENSIONS



# F973ANSVO

3/4" Thermostat Valve with 3-Way Non-Shared Diverter & Off Position

## FUNCTIONALITY DIAGRAM



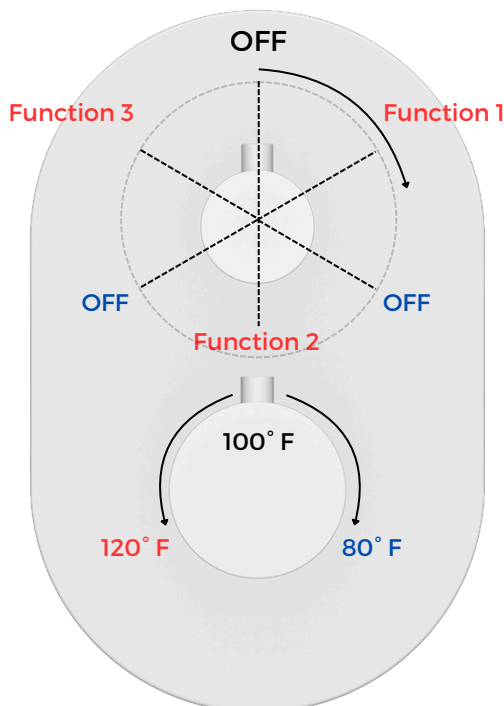
### IMPORTANT INSTALLATION NOTICE FOR F973NSVO THERMOSTATIC VALVE

The F973NSVO is a California-compliant thermostatic valve with a built-in 3-way diverter. Hot water must be connected to the left inlet and cold water to the right inlet. Reversing these connections may cause improper temperature control or unpredictable outlet operation.

The bottom outlet is thermostatic, and the top handle includes multiple OFF positions in addition to the outlet functions: one top OFF position plus three OFF positions and three active outlet functions. This design allows flexible shut-off and flow control for each outlet. Always verify inlet orientation, outlet function, and handle operation after installation.

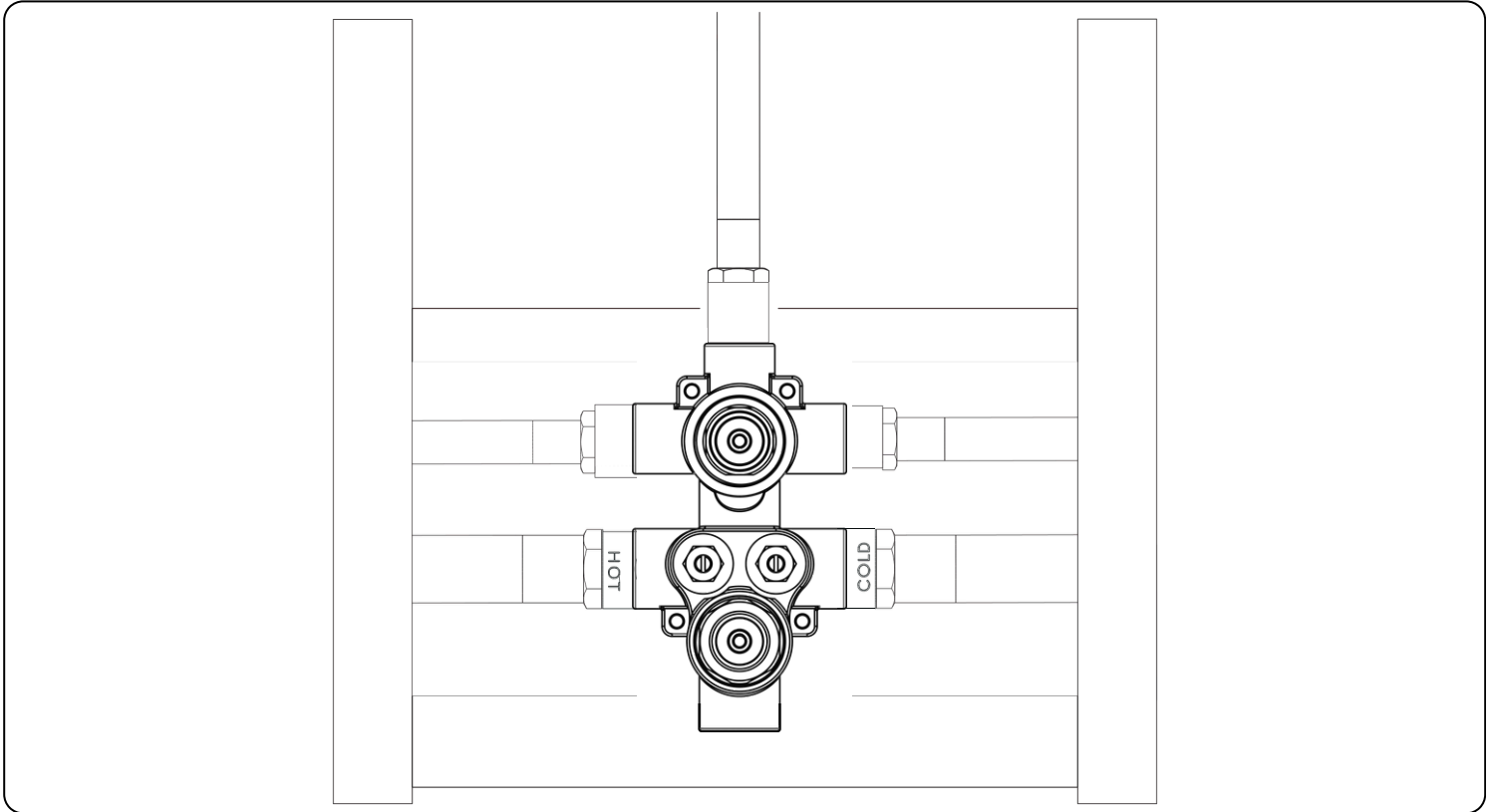
### NOTE ABOUT TEMPERATURE CONTROL:

This valve maintains a stable, user-set temperature using its thermostatic cartridge. Even at the coldest setting, a small amount of hot water is blended in to prevent sudden temperature changes caused by pressure fluctuations elsewhere in the plumbing system. This ensures a consistent, comfortable, and safe shower experience while reducing the risk of scalding or shockingly cold water.





## STEP 1



## Safety Warnings

- Shut off the main or local water supply before beginning installation.
- Use caution when handling sharp tools and metal parts.
- Do not overtighten connections, as this may damage components or create leaks.
- Ensure the psi of the local water supply remains in the recommended psi range on the operating specifications page
- Wear protective gloves throughout installation to prevent injury and protect the finish of the components.

Before beginning, verify that all parts and tools required for installation are available. Review the installation diagram in the parts breakdown at the end of this manual.

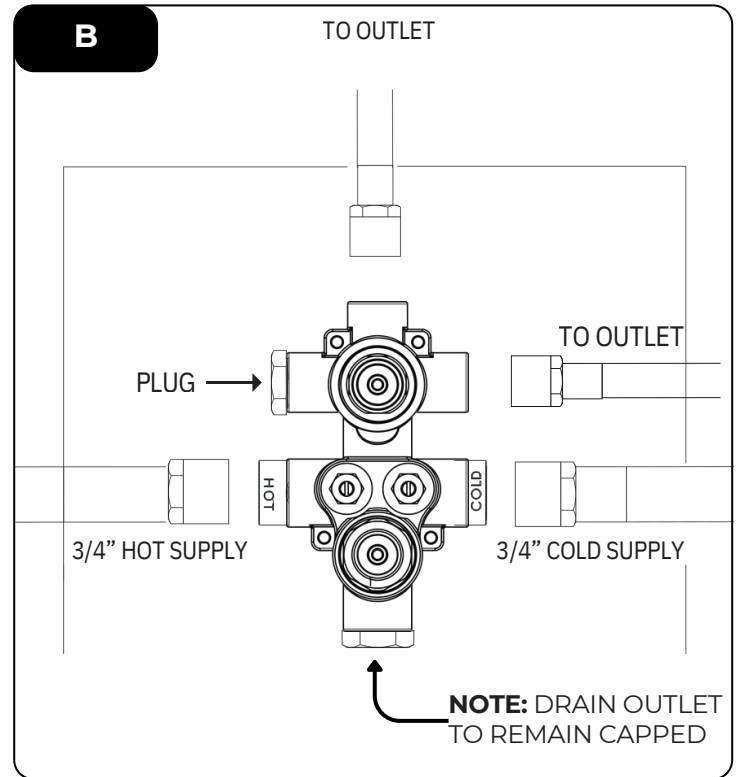
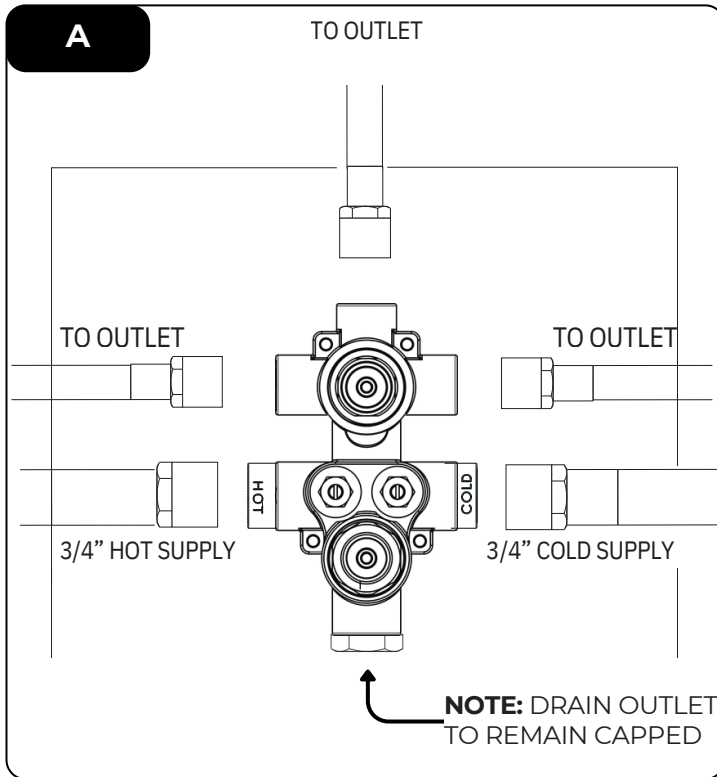
# F973ANSVO

3/4" Thermostat Valve with 3-Way Non-Shared Diverter & Off Position

## INSTALLATION GUIDE

### STEP 2

FOR F973AVO OR F973ANSVO



Connect the 3/4" hot water supply to the left inlet and the 3/4" cold water supply to the right inlet of the valve body. Assure the bottom 3/4" drain outlet is capped to prevent leaks.

**IMPORTANT: IF USING HEAT NEAR THE VALVE BODY, PLEASE REMOVE CARTRIDGES.**

### Multi-3-way Function Installation

This valve is designed to operate up to three shower functions. Connect the required upper 1/2" outlet(s) to the corresponding shower devices based on the shower system being installed. Refer to **diagram A** for typical outlet configurations.

### Multi-2-way Function Installation

This valve can also be installed for a dual shower outlet function. Connect the wall or ceiling mounted shower head to the top 1/2" outlet and the **left or right** outlet to the accessory fixture. To the shower device and securely cap the remaining unused outlet. Using two outlets is a normal installation, and the valve will operate correctly in this configuration. Any **capped outlet will function as an OFF position** when operating the diverter. Refer to the functionality diagram to identify how the diverter control corresponds to each outlet.

# F973ANSVO

3/4" Thermostat Valve with 3-Way Non-Shared Diverter & Off Position

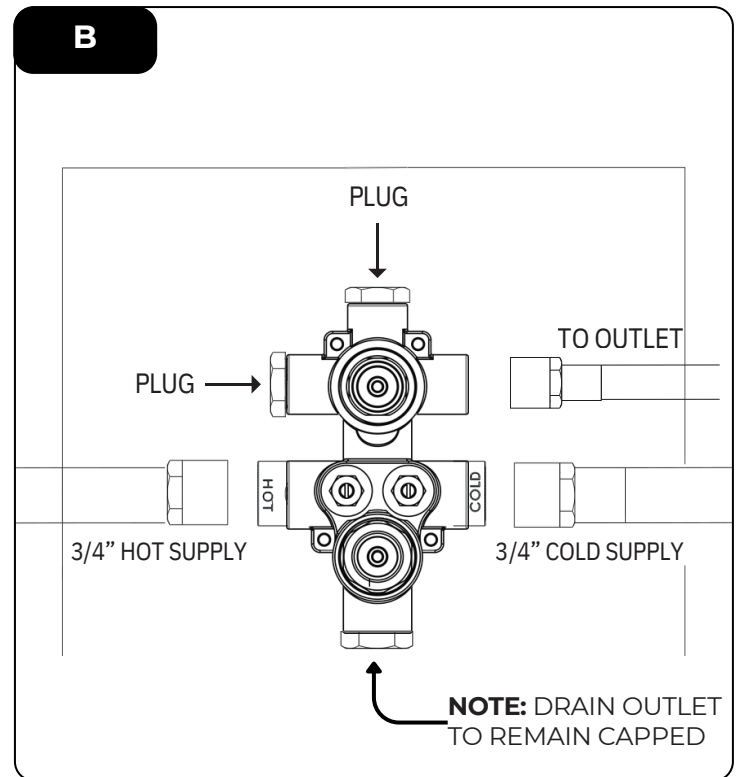
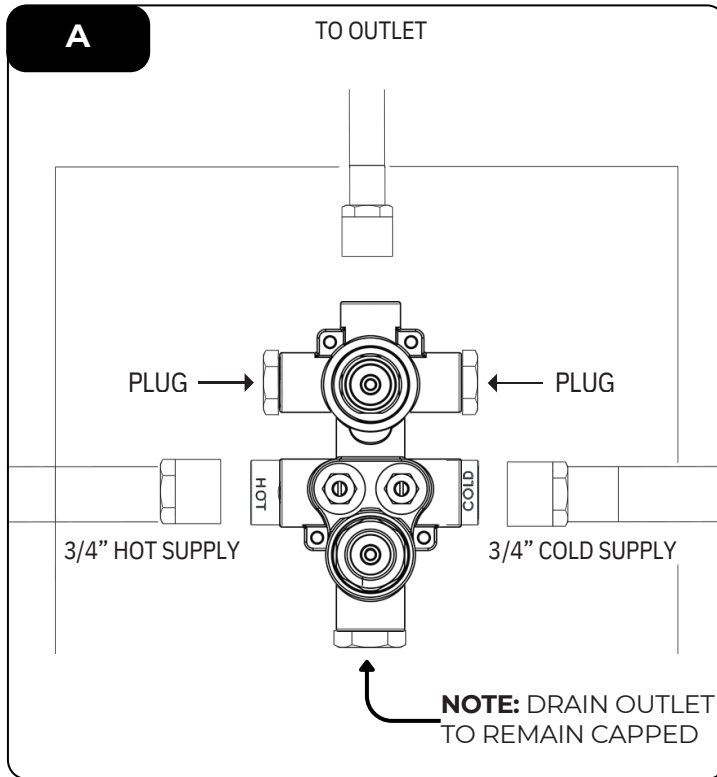
artos®

## INSTALLATION GUIDE

FOR F973AVO OR F973ANSVO



### STEP 3



**IMPORTANT: IF USING HEAT NEAR THE VALVE BODY, PLEASE REMOVE CARTRIDGES.**

### Single Outlet Function Installation

If the installation uses only one shower function, connect the selected outlet (upper 1/2" outlets) to the shower device. Refer to **diagram A** for wall or ceiling mounted shower heads and **diagram B** for single outlet tub fillers or shower wands.

The remaining unused outlets must be securely capped. **The capped outlet will function as an OFF position.** Using a single outlet is a normal and approved installation for this valve. Refer to the functionality diagram to identify how the diverter control corresponds to each outlet.

# F973ANSVO

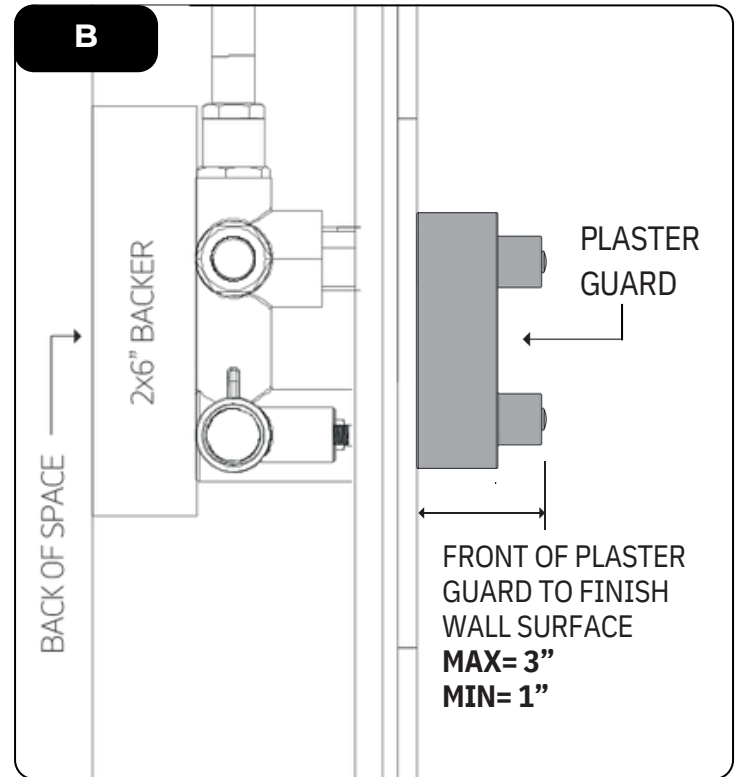
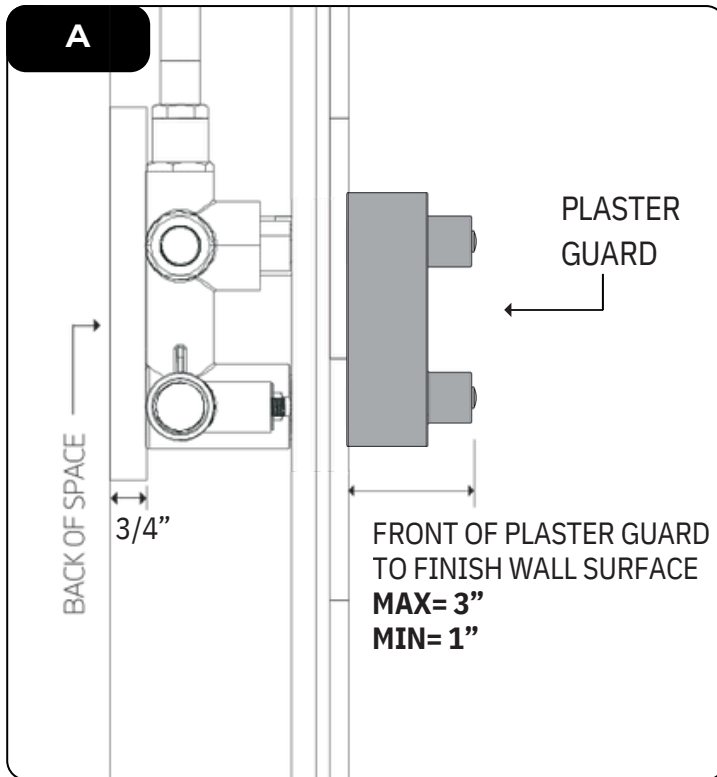
3/4" Thermostat Valve with 3-Way Non-Shared Diverter & Off Position

artos®

## INSTALLATION GUIDE

### STEP 4

FOR F973AVO OR F973ANSVO



Begin installation of the F973ANSVO or F973ANSVO by installing a solid backer board between the wall studs to support the valve. For **2" x 4"** wall construction, use a **3/4"** plywood backer. For **2" x 6"** wall construction, use a **2" x 6"** backer.

Position the valve against the backer, ensuring it is **level** and properly aligned. Secure the valve using drywall or deck screws through the mounting holes provided in the valve body. Refer to Diagram **A** for **2" x 4"** wall installations and Diagram **B** for **2" x 6"** wall installations.

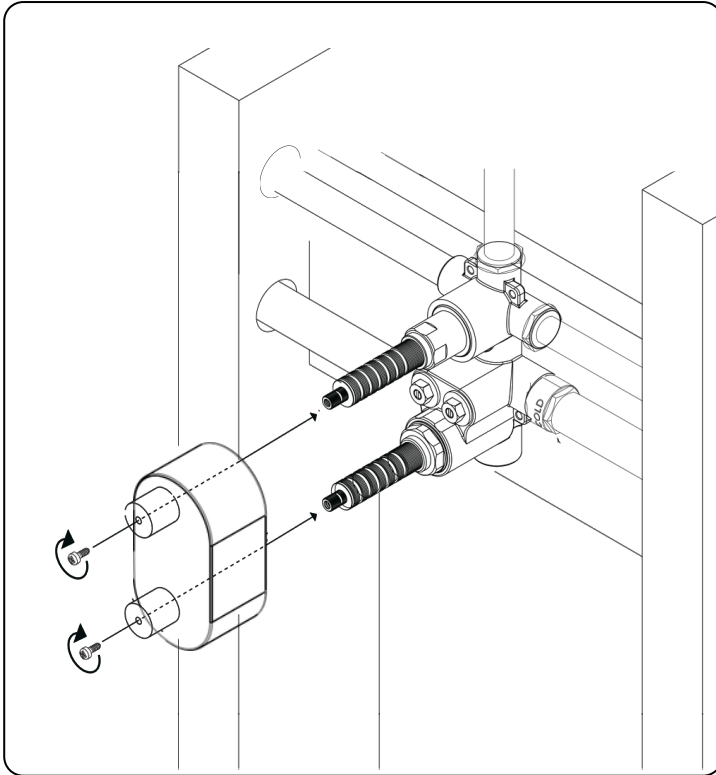
The front of the plaster guard must be positioned between **1" minimum** and **3" maximum** from the finished wall surface for both wall types.

# F973ANSVO

3/4" Thermostat Valve with 3-Way Non-Shared Diverter & Off Position

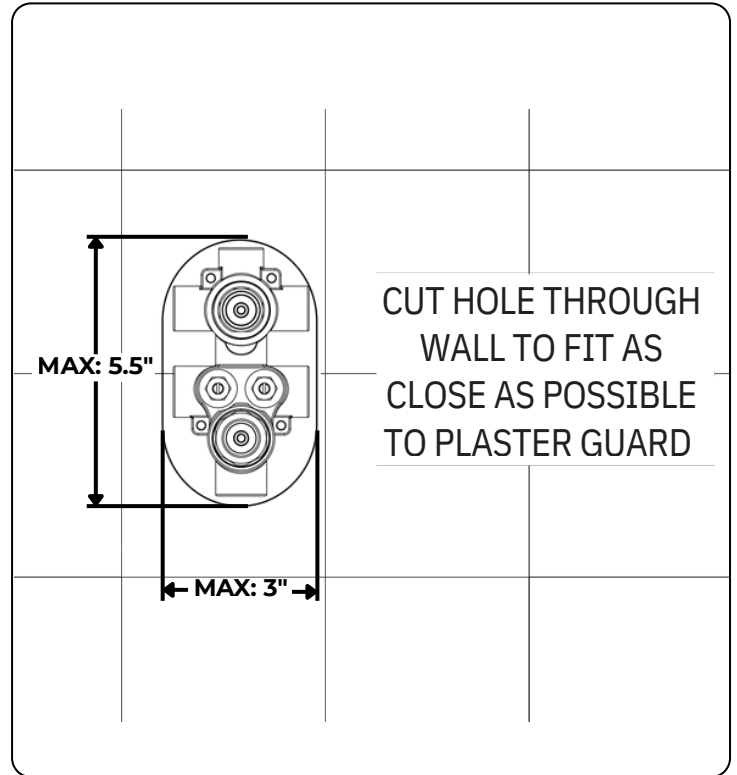
## INSTALLATION GUIDE

### STEP 5



### STEP 6

FOR F973AVO OR F973ANSVO



### STEP 4

Using the provided screws, secure the plaster cover to the valve spindles, ensuring it is properly aligned and fully seated.

### STEP 5

Complete the finished wall, using the plaster guard to protect the valve threads during installation. Cut an access opening in the finished wall large enough to expose the valve for future adjustment of the service stops. The included temporary handle may be added for testing.

**IMPORTANT:** DO NOT LET THE HOLE EXCEED THE TRIM KIT ESCUTCHEON DIMENSIONS.

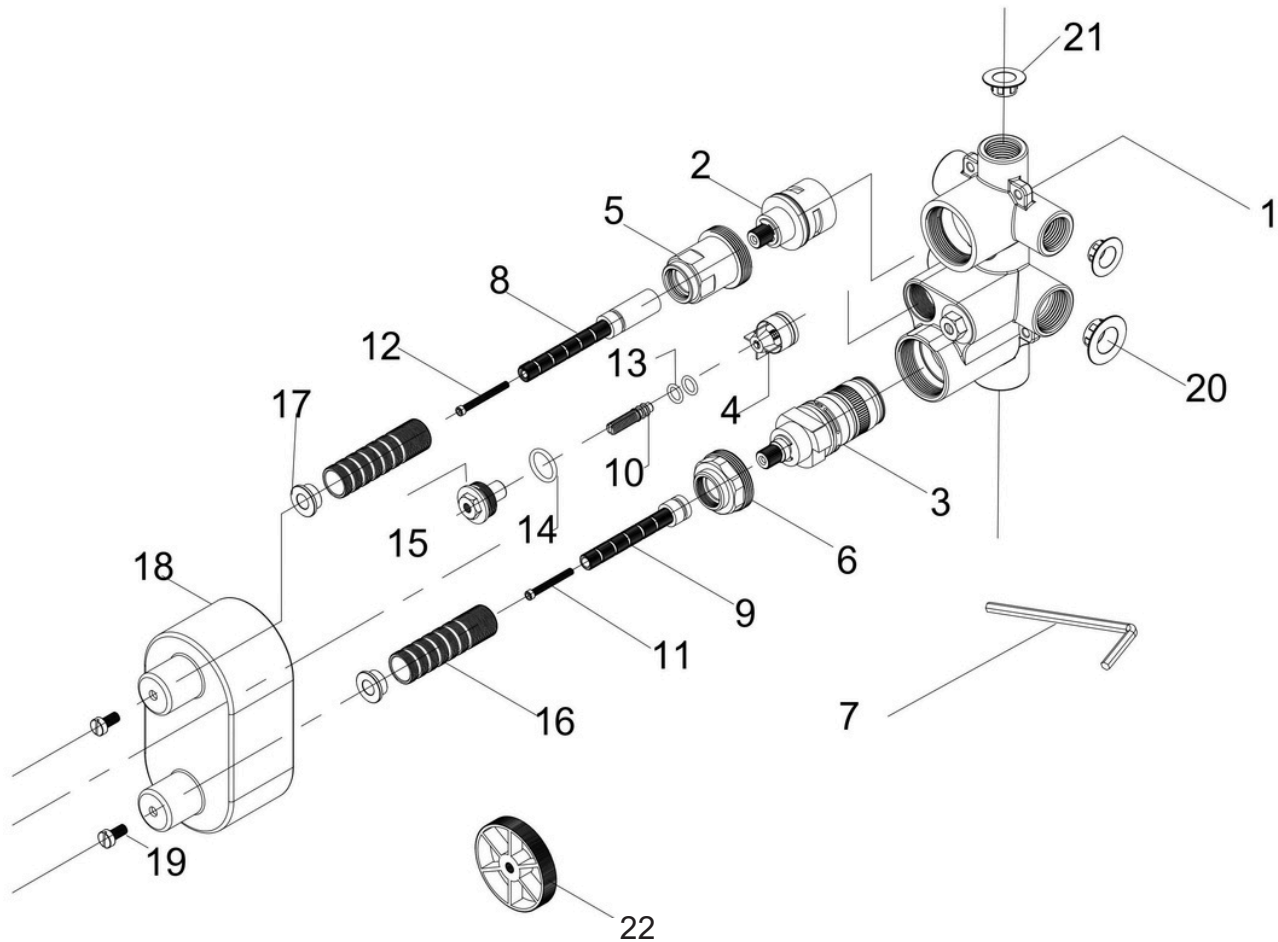
*DIMENSIONS MAY VARY DUE TO MODEL VERSION OR ESCUTCHEON STYLE*

# F973ANSVO

3/4" Thermostat Valve with 3-Way Non-Shared Diverter & Off Position

artos®

## PARTS BREAKDOWN



- |                                    |                        |
|------------------------------------|------------------------|
| ① VALVE BODY SHARED DIVERTER       | ⑫ M4X40 ALLEN BOLT     |
| ② CARTRIDGE (CALIFORNIA COMPLIANT) | ⑬ 1.8 O RING (4)       |
| ③ VERNET THERMOSTATIC CARTRIDGE    | ⑭ 17 X 2 O RING (2)    |
| ④ NEOPERL CHECK VALVES (2)         | ⑮ NRV NUT (2)          |
| ⑤ DIVERTER CARTRIDGE NUT           | ⑯ OUTER SPINDLE (2)    |
| ⑥ THERMOSTATIC CARTRIDGE NUT       | ⑰ SLEEVE BUSH (2)      |
| ⑦ ALLEN KEY 3MM                    | ⑱ PLASTER GUARD        |
| ⑧ DIVERTER INNER SPINDLE           | ⑲ 1/4" X 1/2" BOLT (2) |
| ⑨ THERMOSTAT INNER SPINDLE         | ⑳ 3/4" DUST CAP (2)    |
| ⑩ NRV SPINDLE (2)                  | ㉑ 1/2" DUST CAP (3)    |
| ⑪ M4X20 ALLEN BOLT                 | ㉒ TEMPORARY HANDLE     |