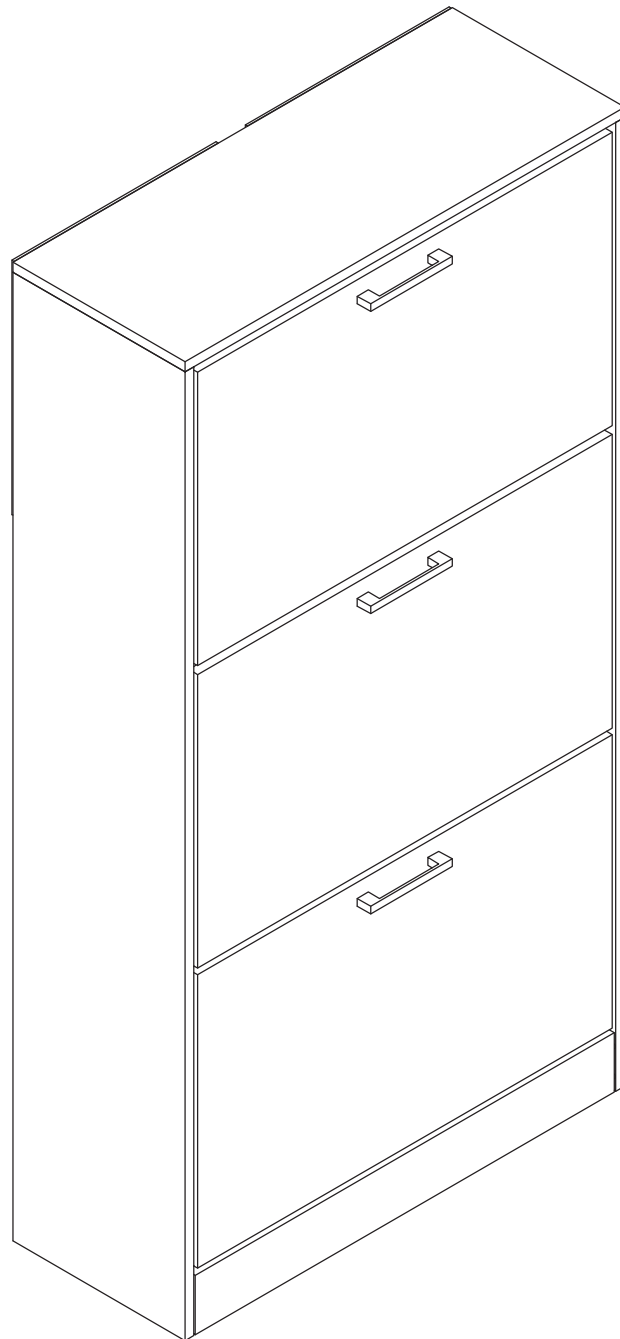
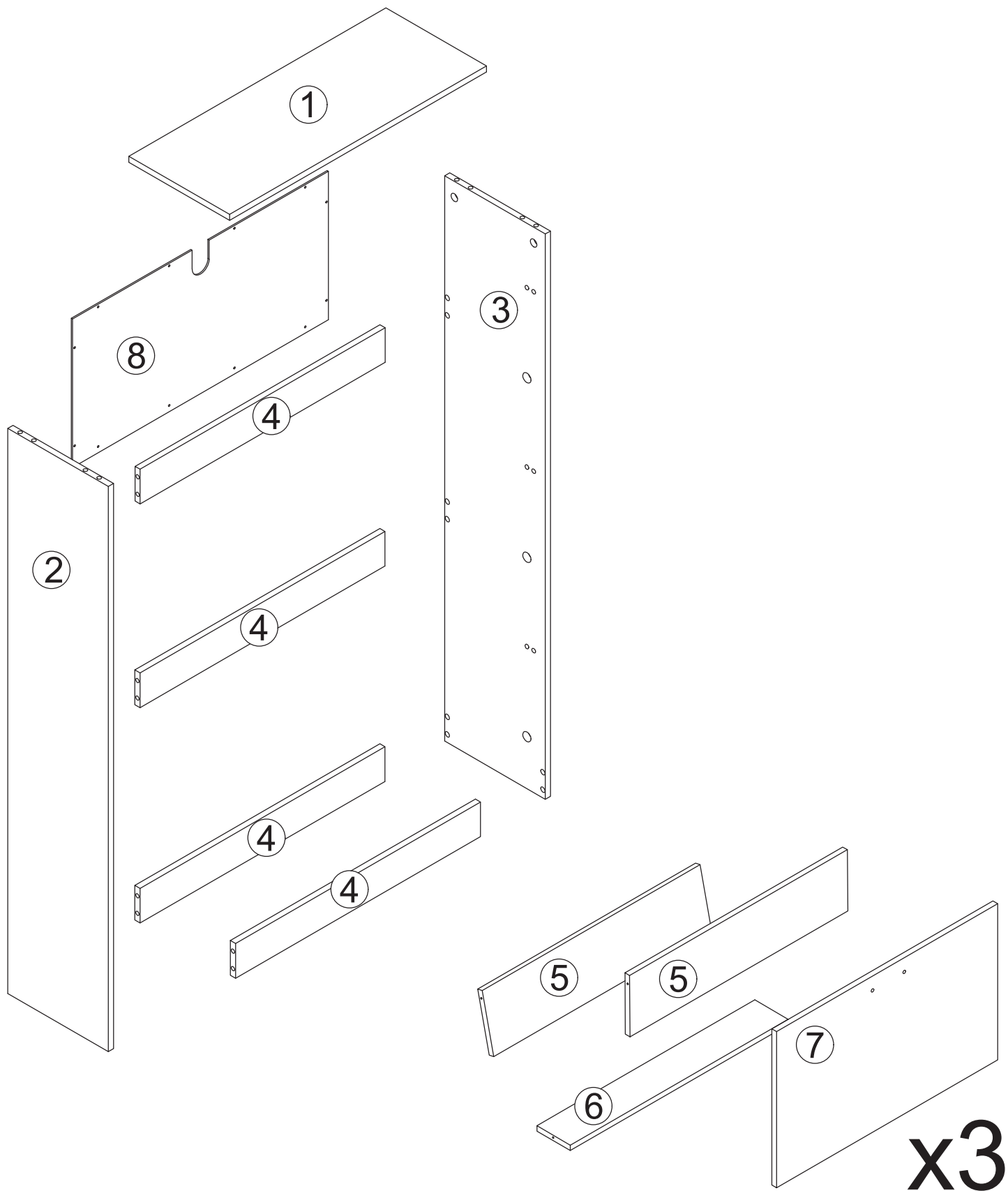
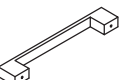




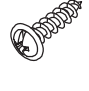

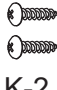


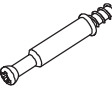








Assembly Instruction

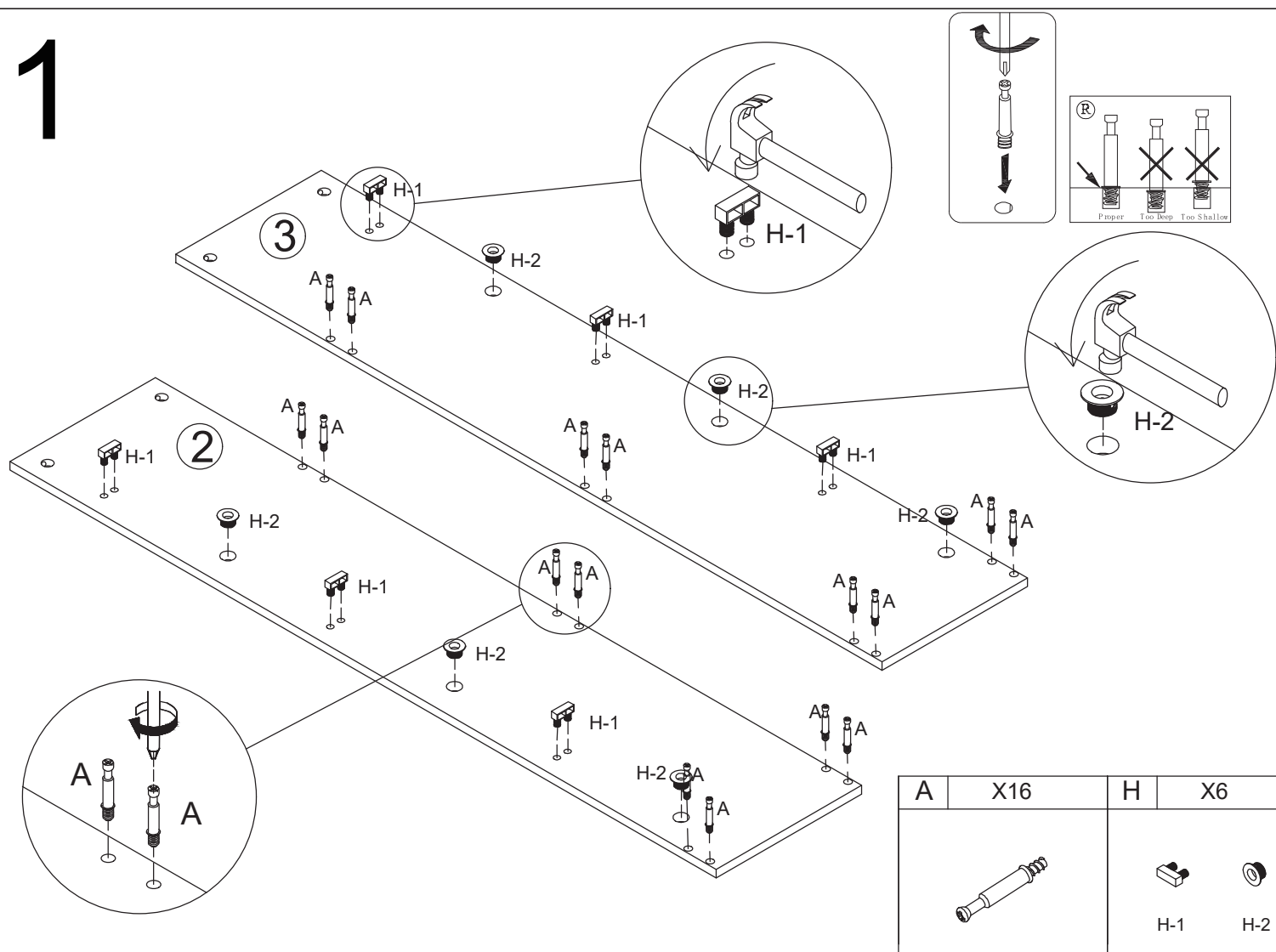




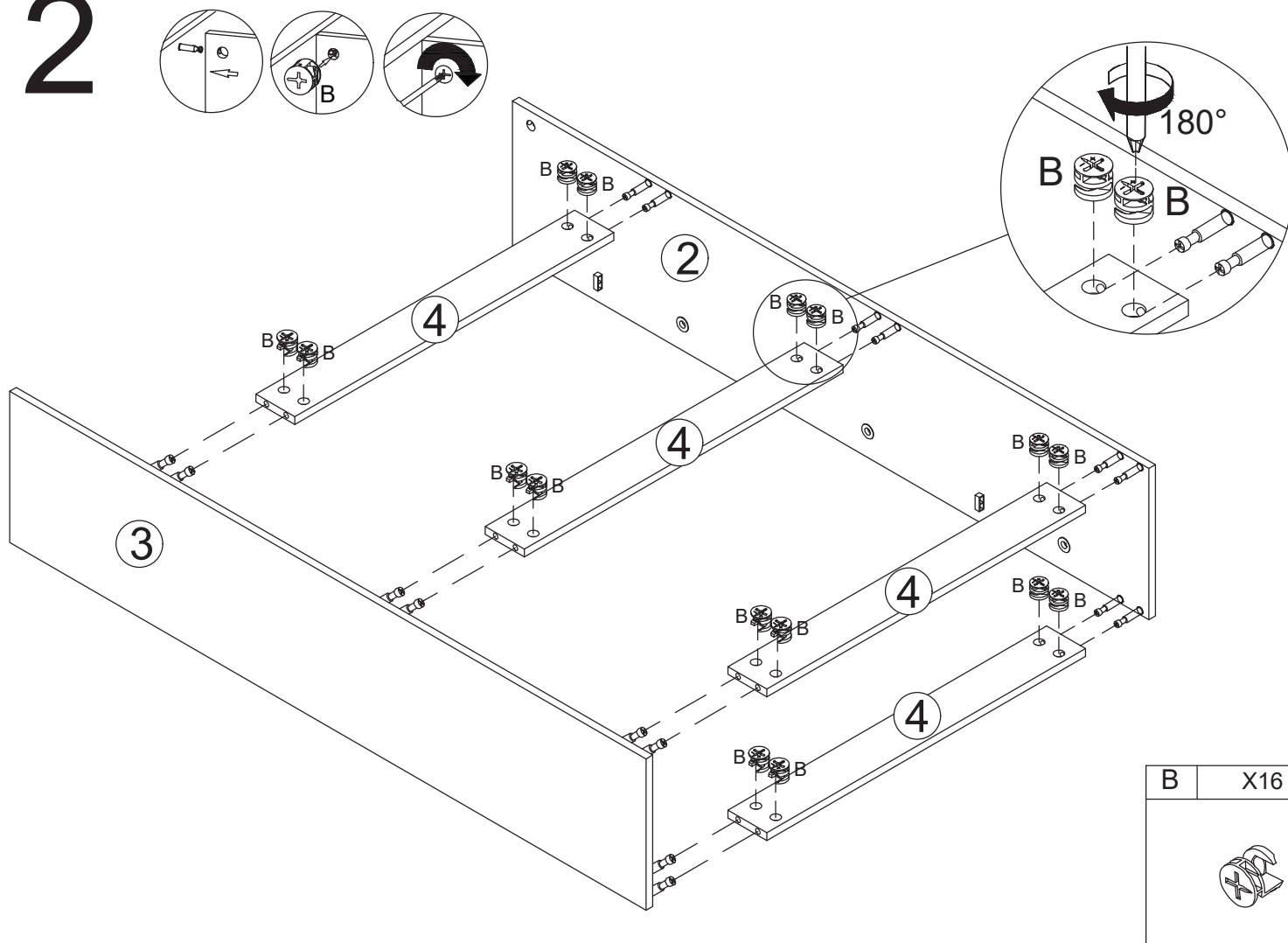
x3

G	X3	H	X6	J	X12	K	X1	L	X3	R	X3
 G-1 Ø4x18mm	 G-2	 H-1	 H-2	 H-3	 Ø2.5x12mm	 K-1	 K-2 Ø4x12mm				
A	X20	B	X20	C	X4	D	X1	E	X36	F	X6
 Ø6x35mm	 Ø15x10mm	 Ø6x30mm	 D-1 Ø4x35mm	 D-2	 Ø3.5x14mm	 Ø4x10mm					

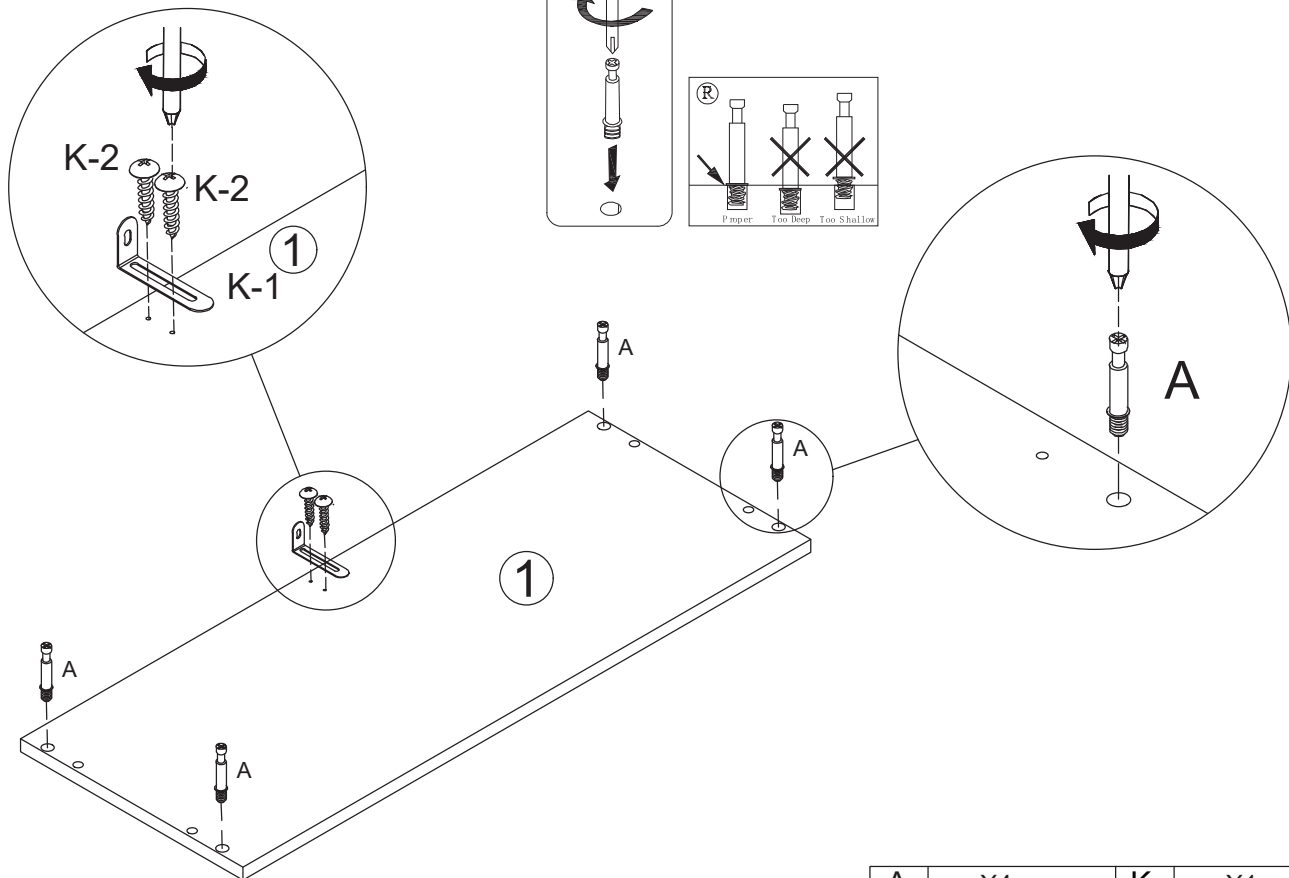
1

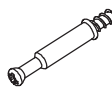




2

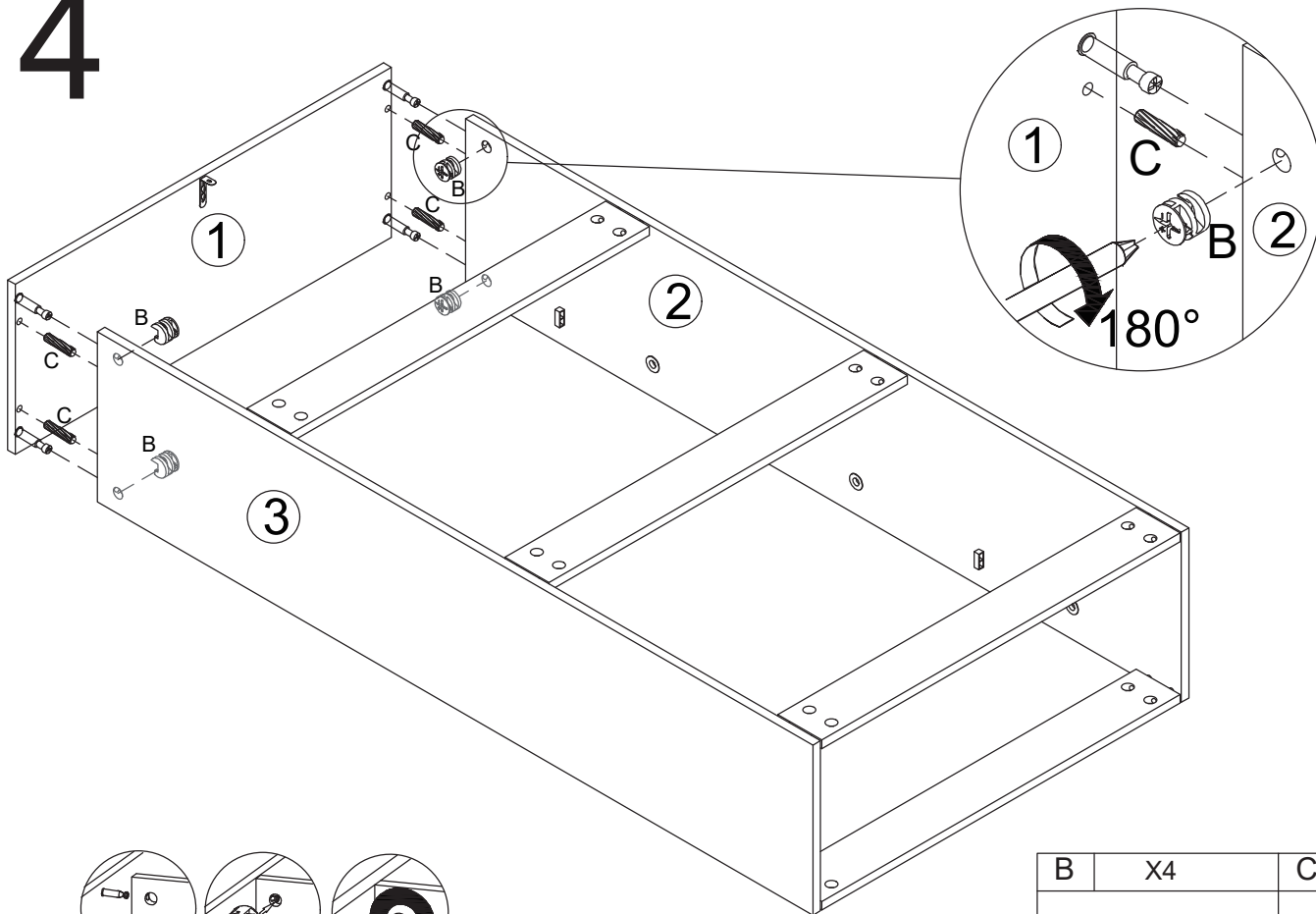




3

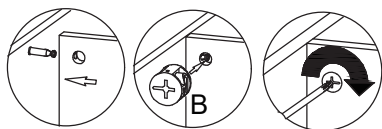


A	X4	K	X1
		 	
		K-1	K-2

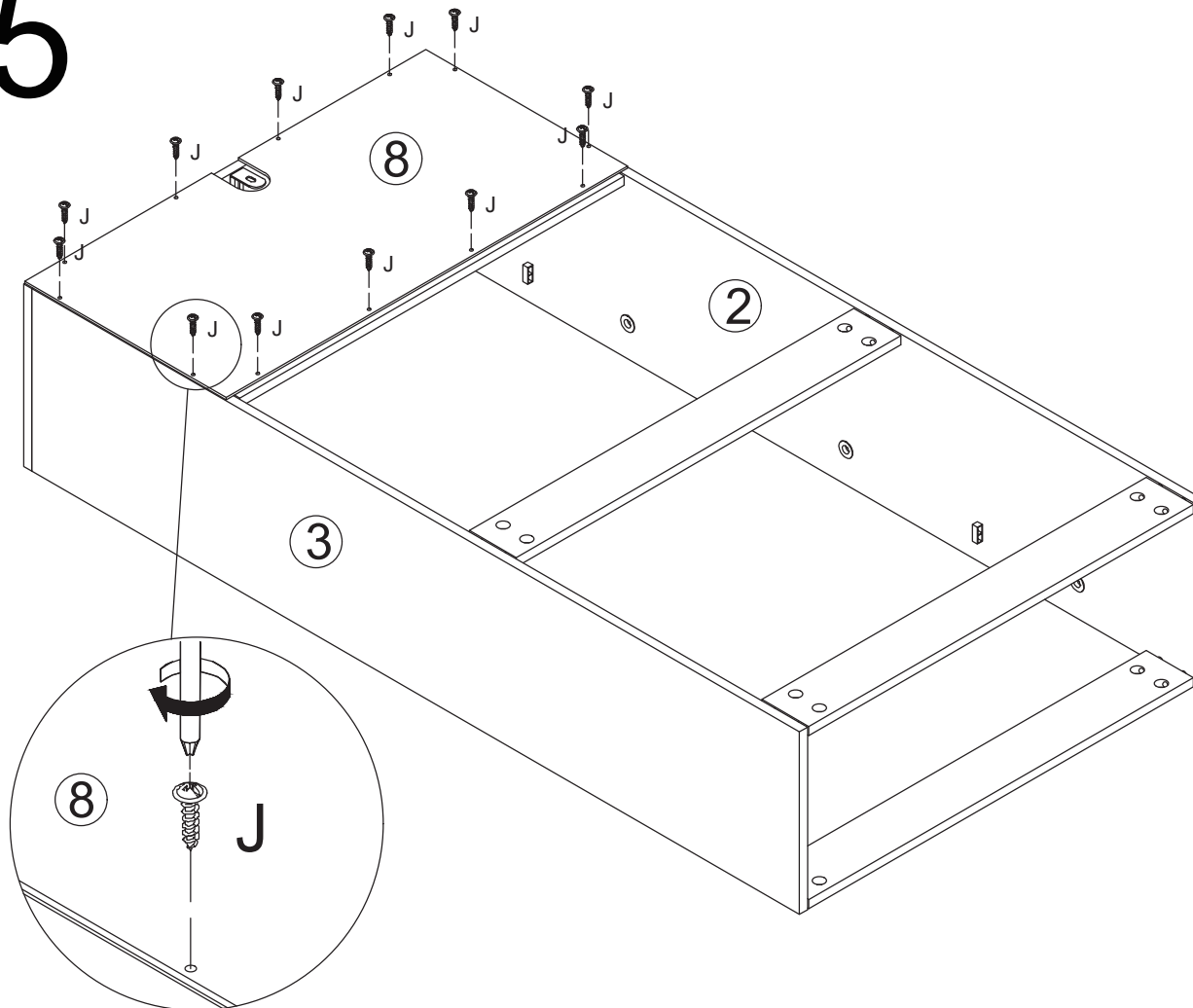
4




B	X4	C	X4
			

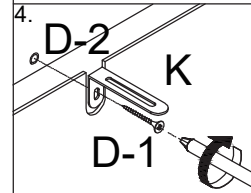
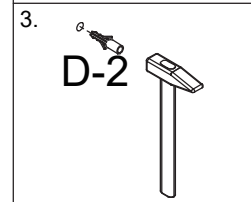
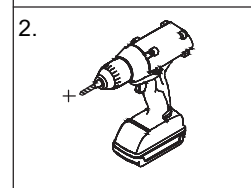
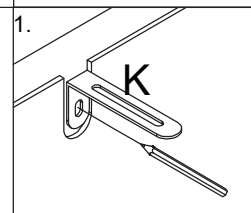
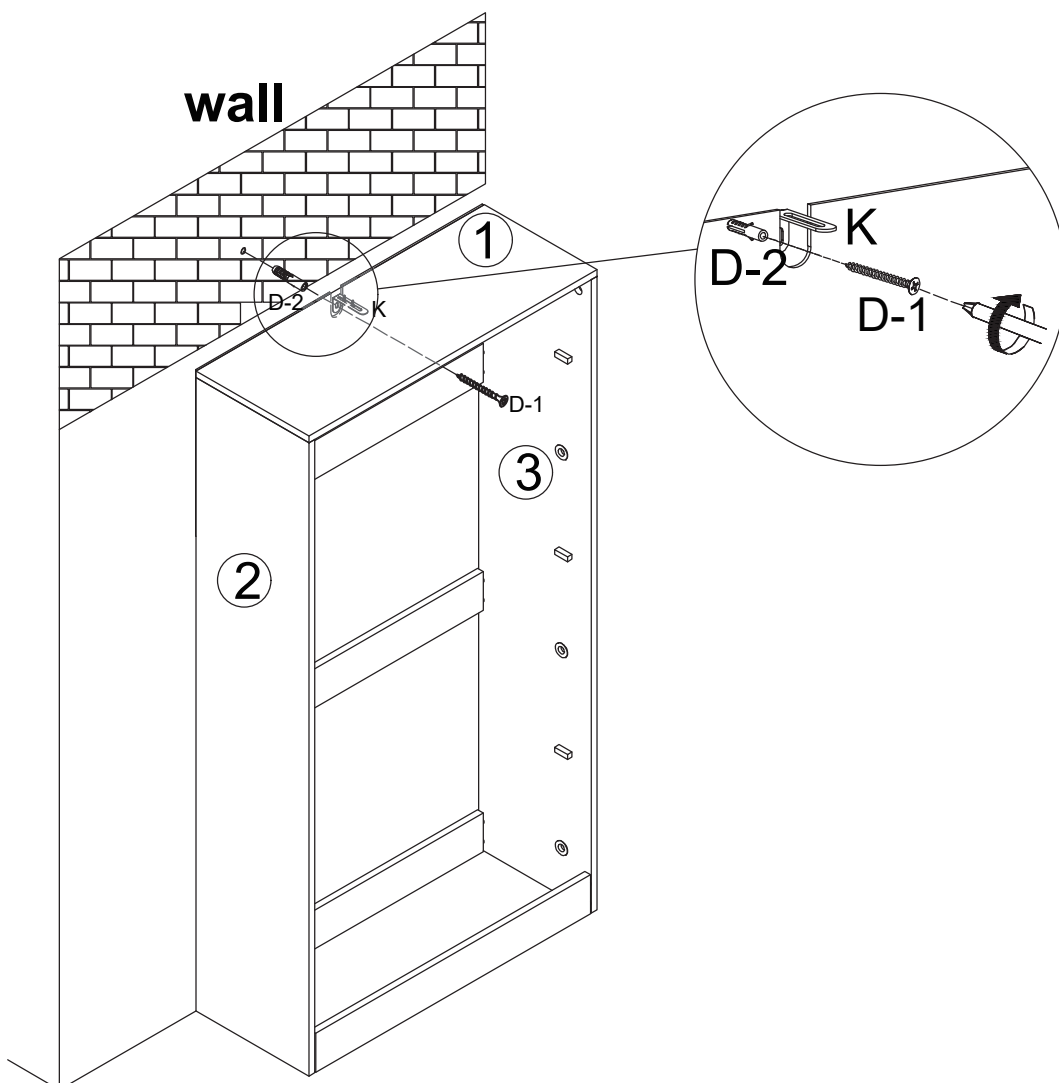



5



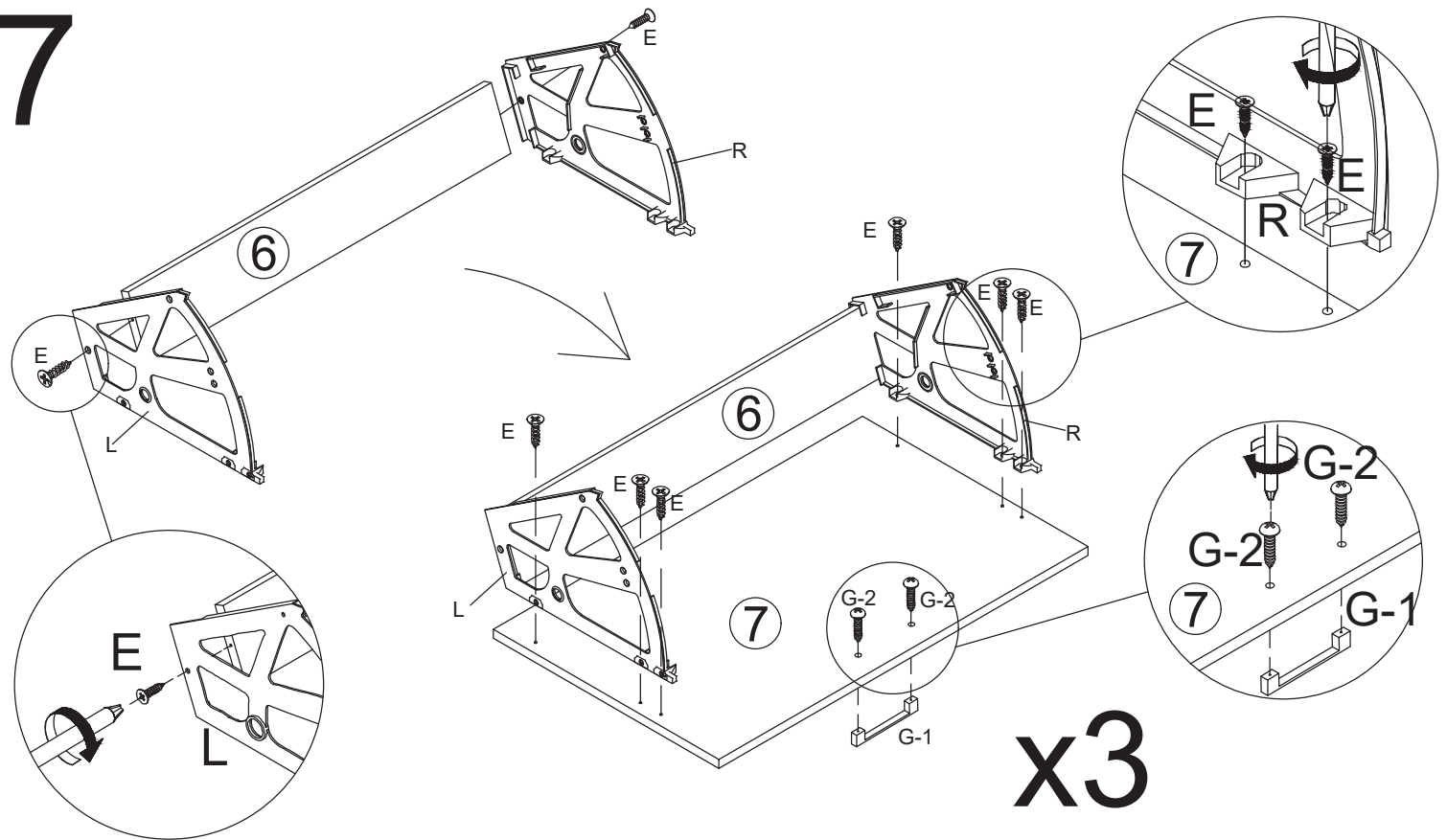
J	X12
	

6



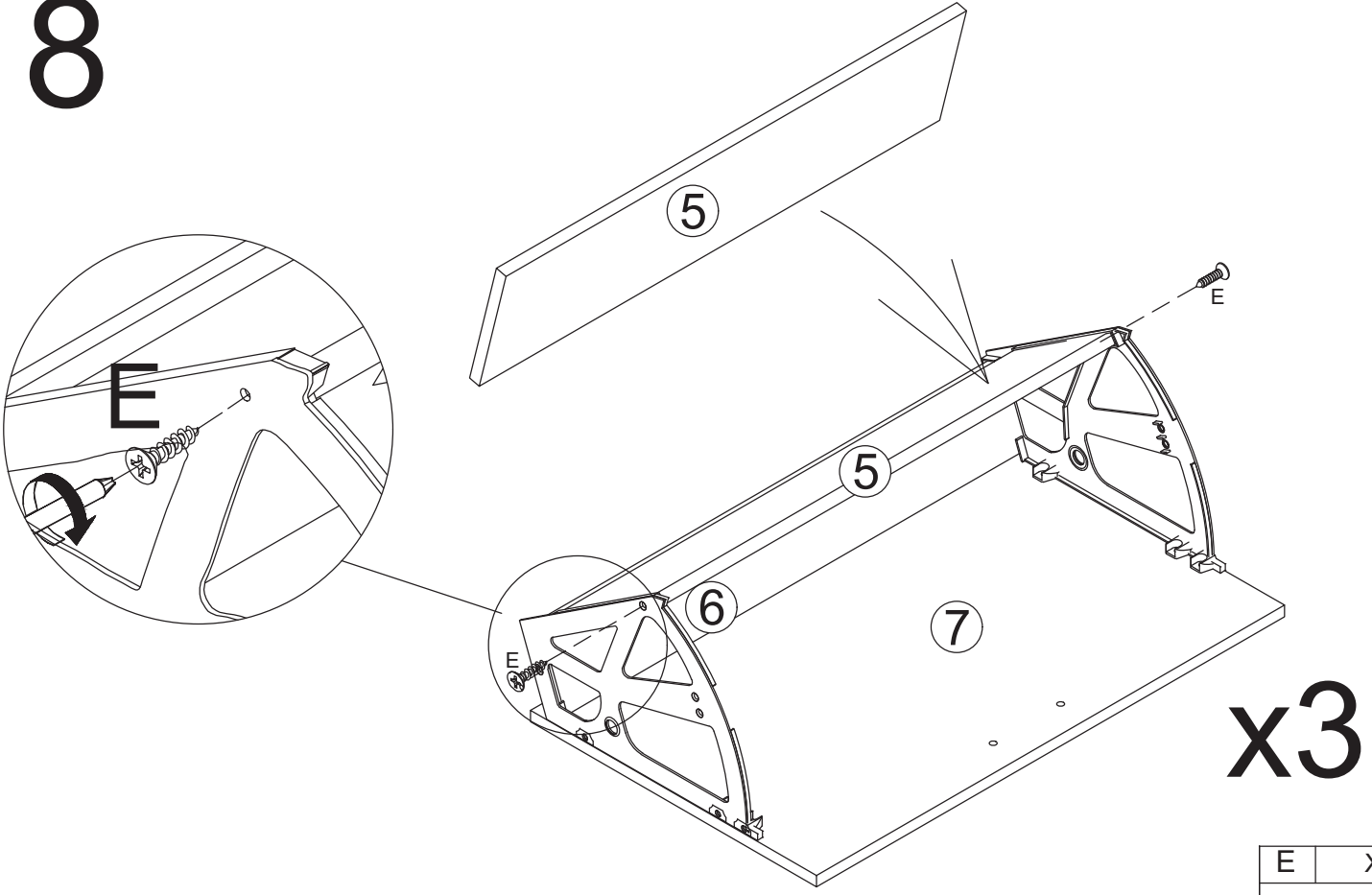
D	X1
	
D-1	D-2

7



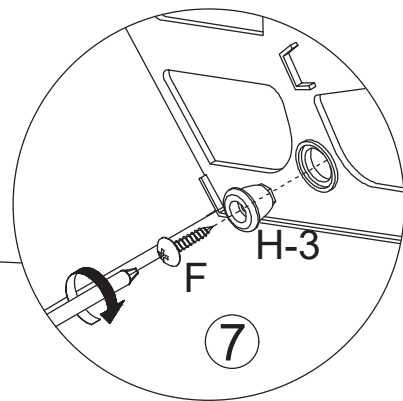
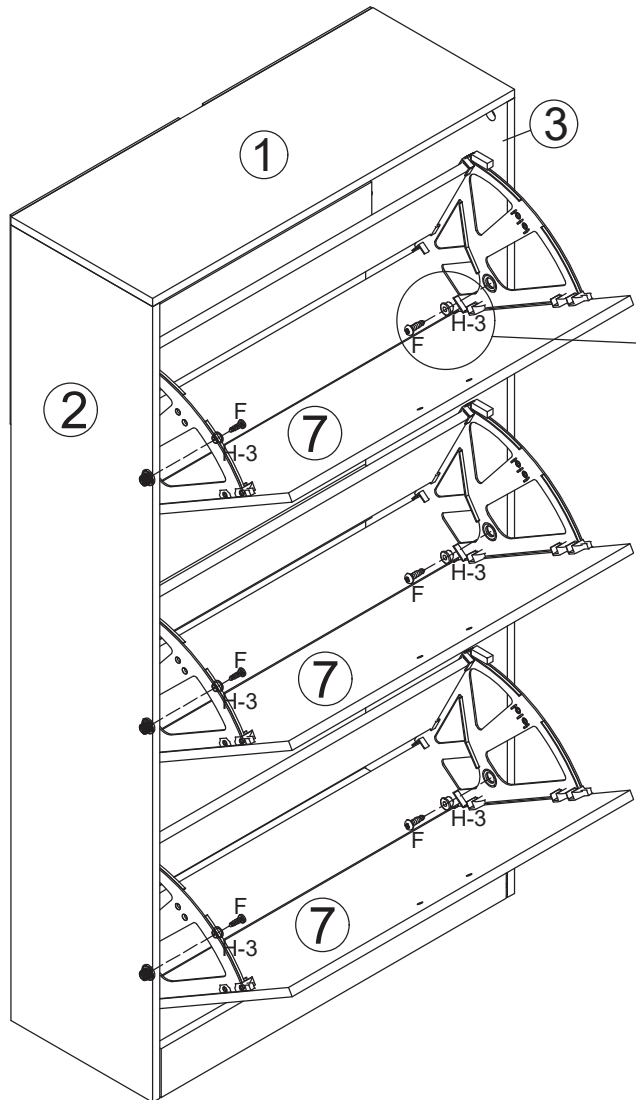
E	X24	G	X3	L	X3	R	X3
		G-1	G-2				



8



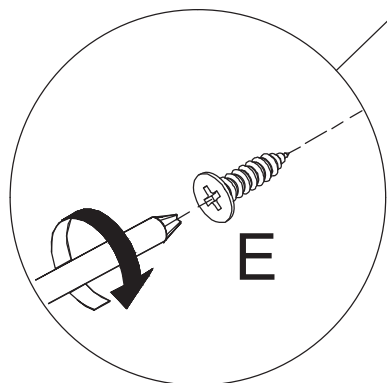
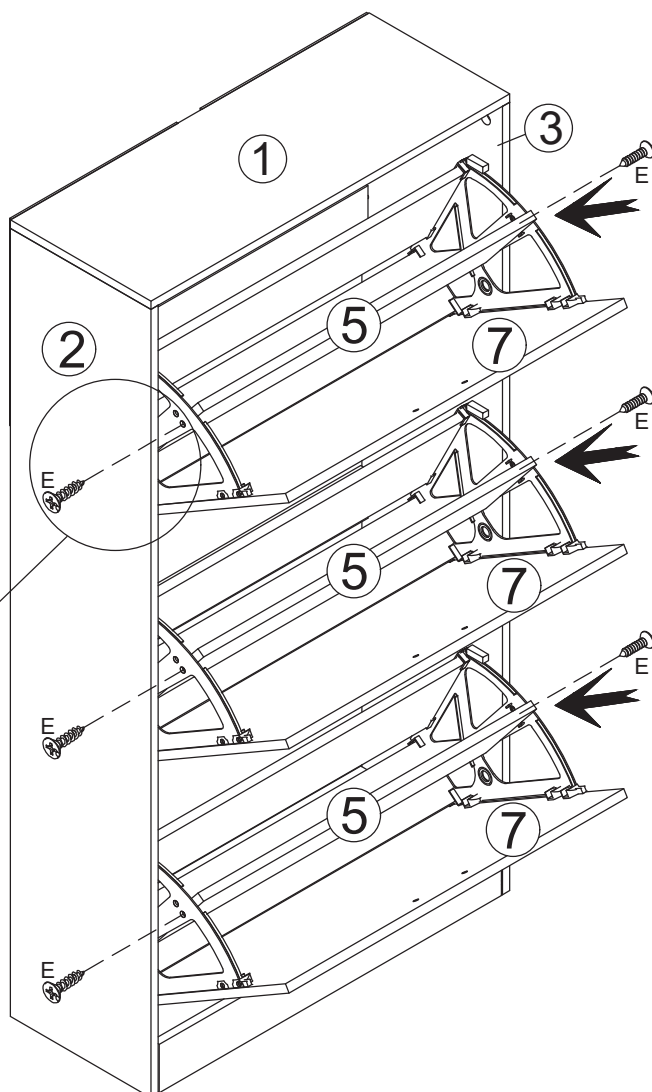
E	X6

9



F	X6	H	X6
		 H-3	

10



E	X6
