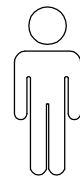
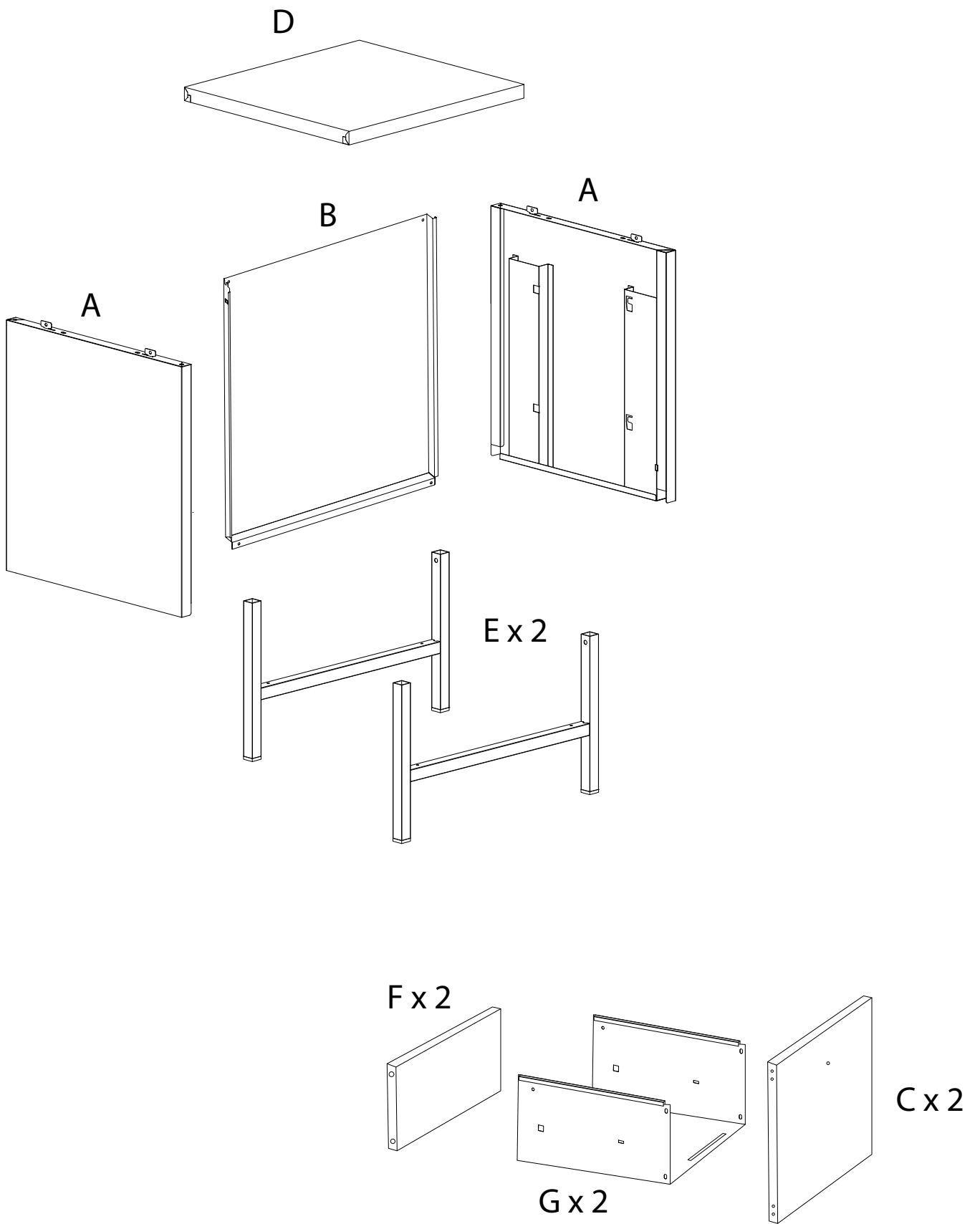
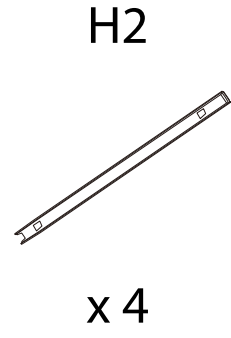
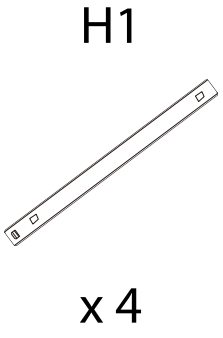
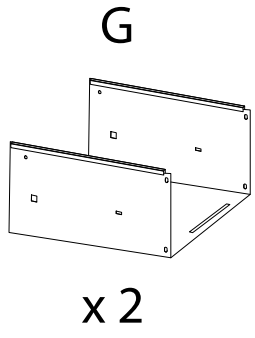
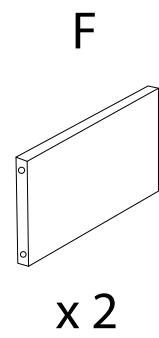
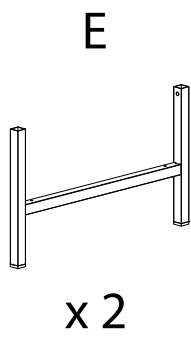
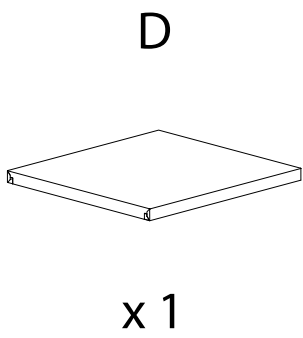
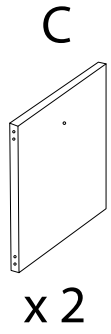
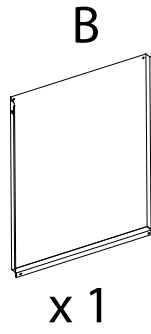
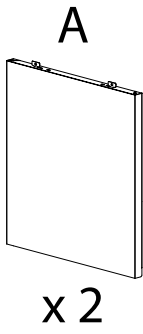


40'

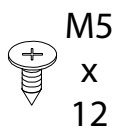


1



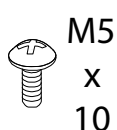


1



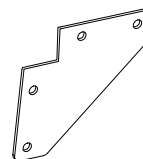
x 24

2



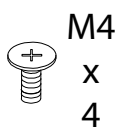
x 8

3



x 4

4



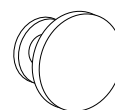
x 2

5



x 4

6



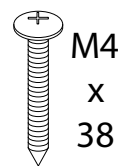
x 2

7



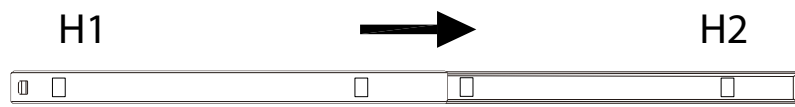
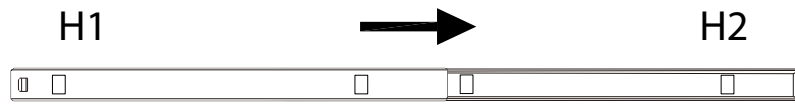
x 2

8

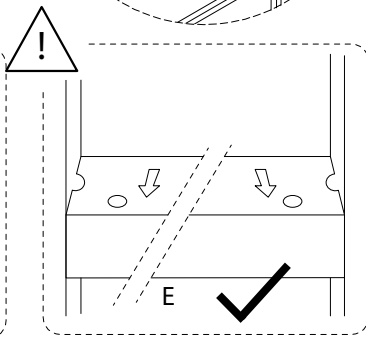
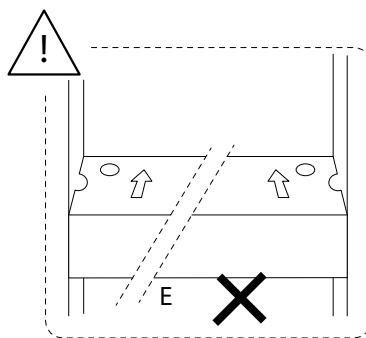
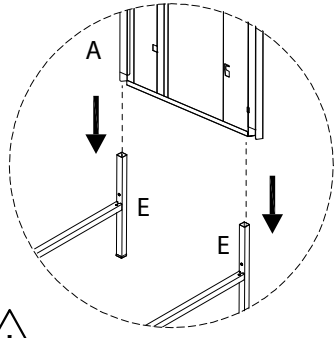
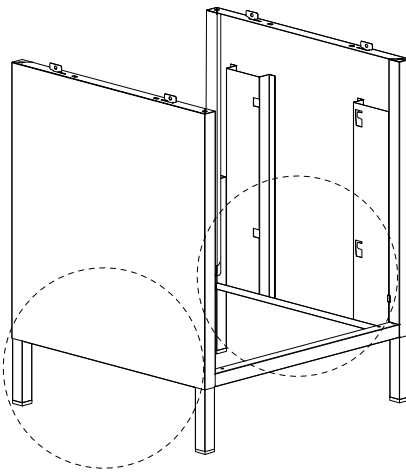
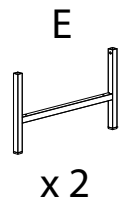
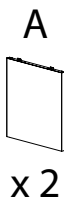


x 2

!



1

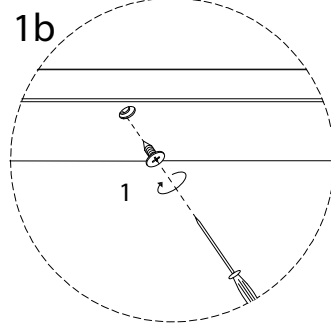
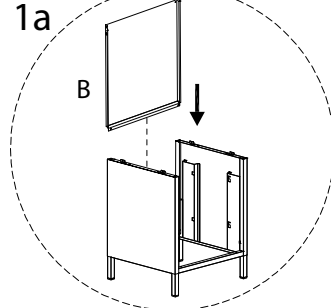
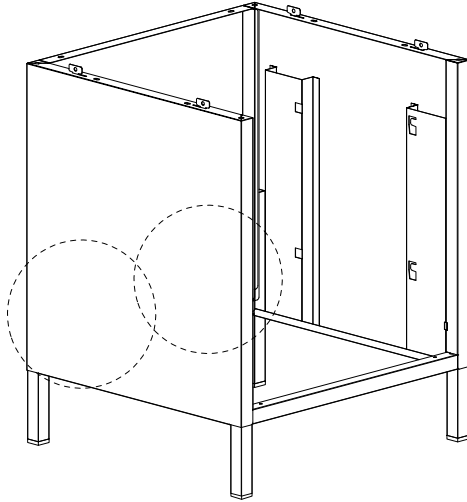
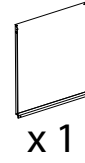


2

1

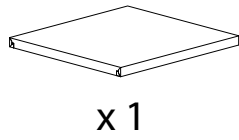
M5  
x  
12  
x 2

B



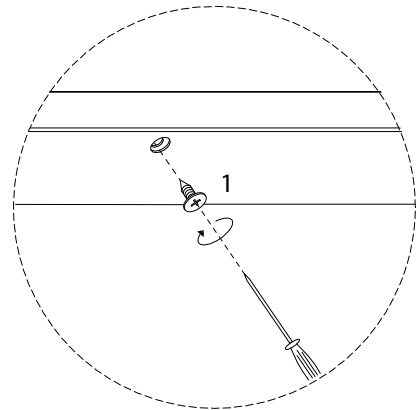
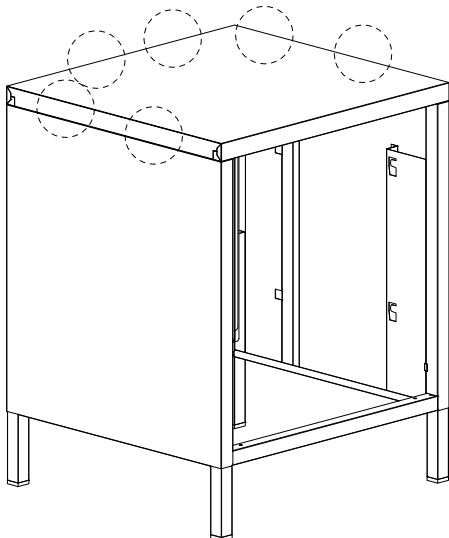
3

D



1

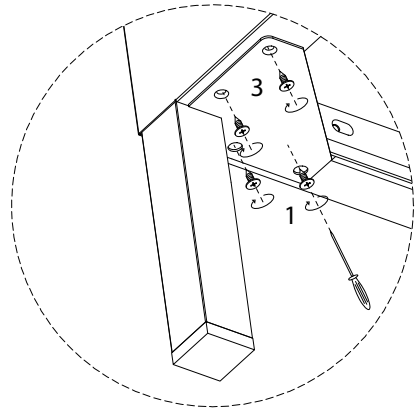
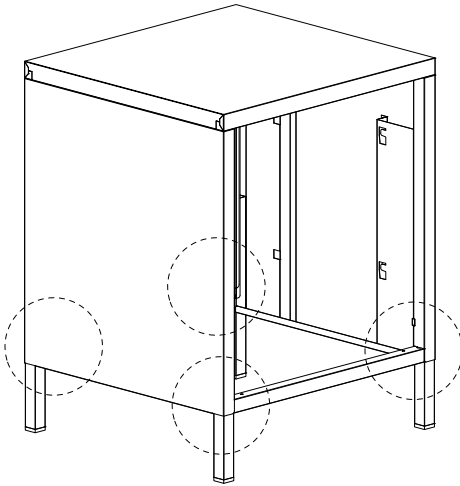
M5  
x  
12  
x 6



4

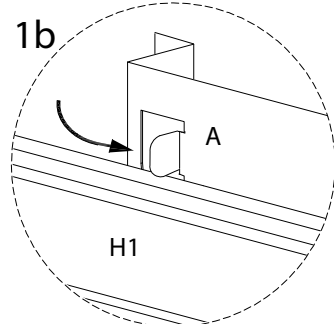
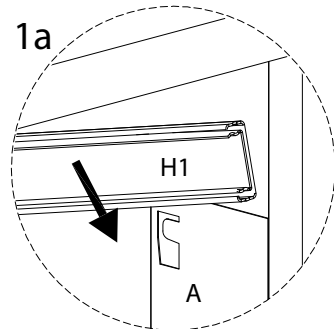
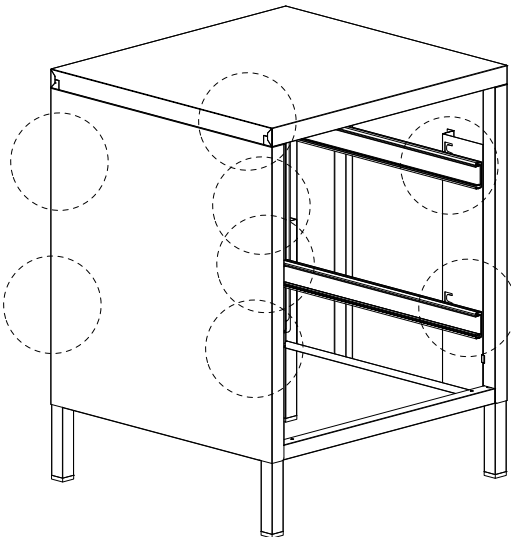
1  
M5  
x  
12  
x 12

3  
x 4

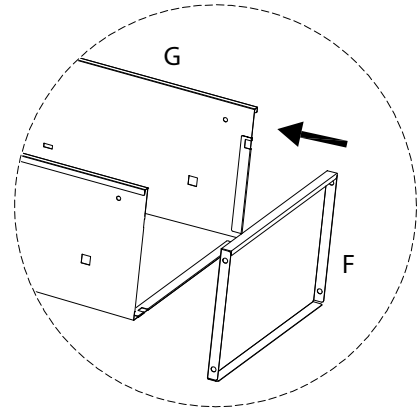
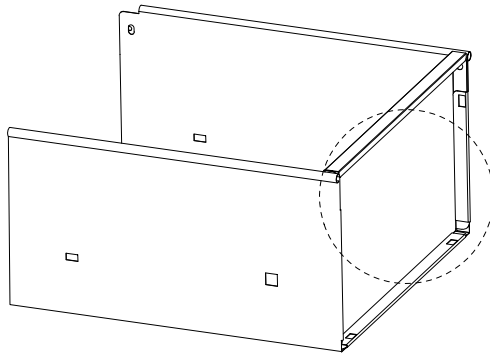
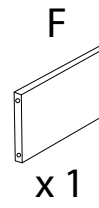
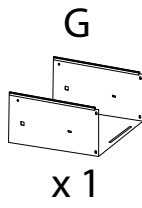


5

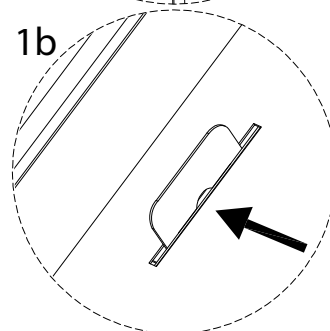
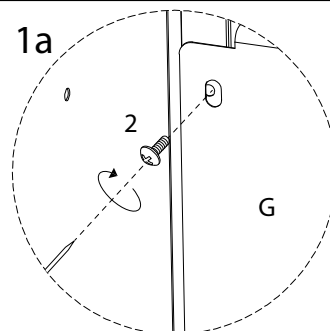
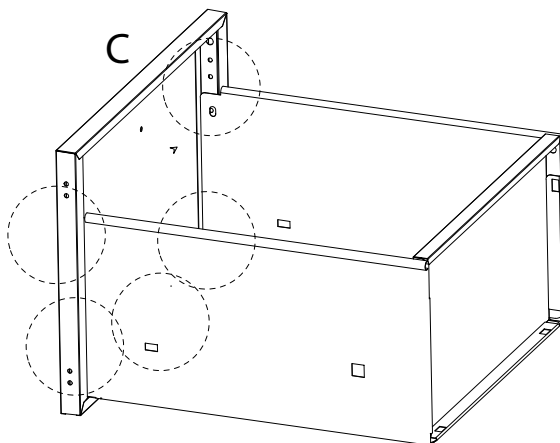
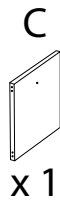
H1  
x 4



6 x 2



7 x 2



8 x 2

4



x 1

5

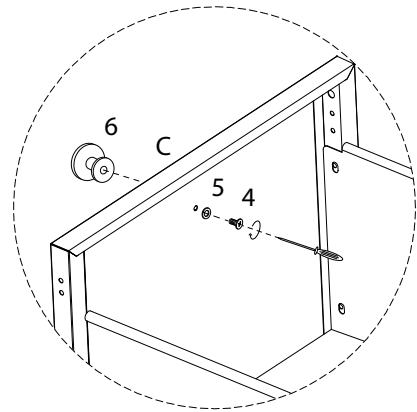
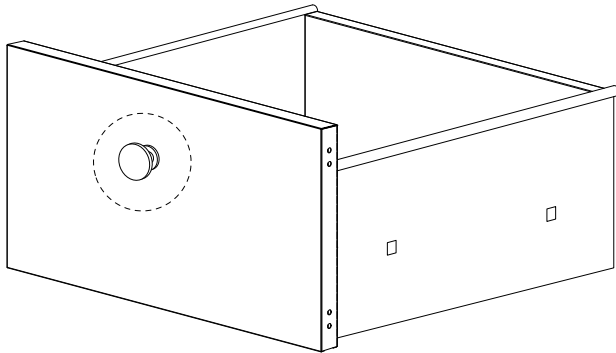


x 2

6

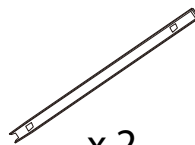


x 1

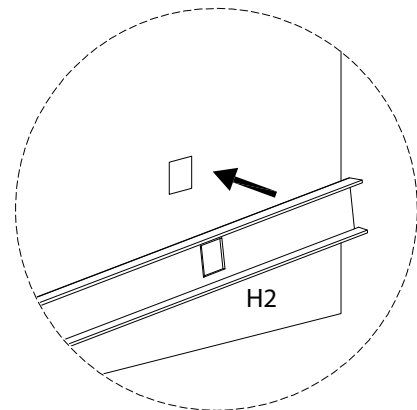
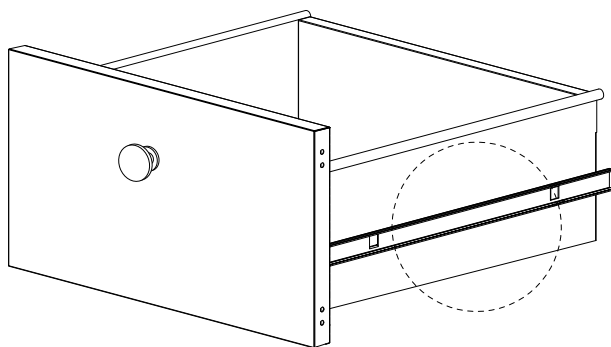


9 x 2

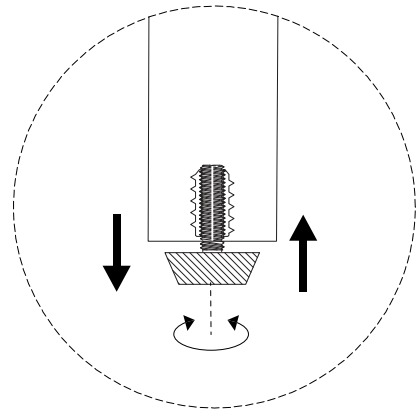
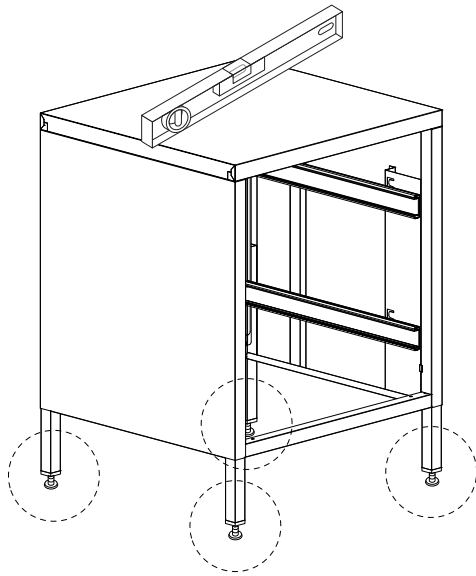
H2



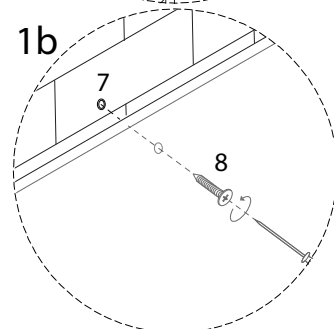
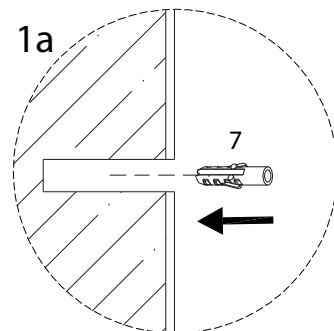
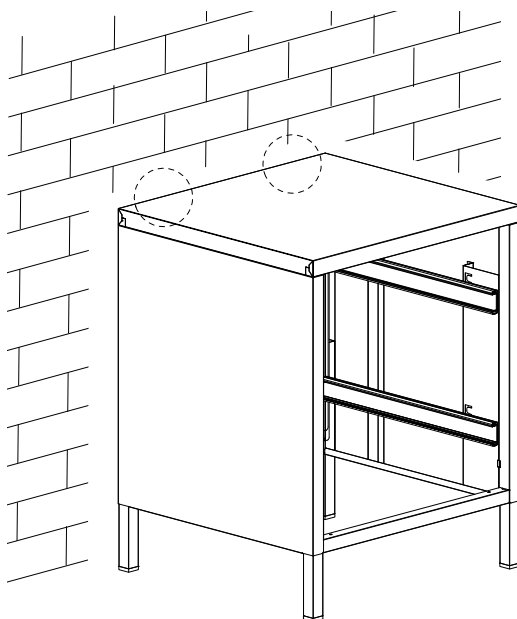
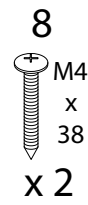
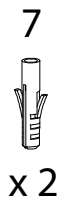
x 2



10



11



12

