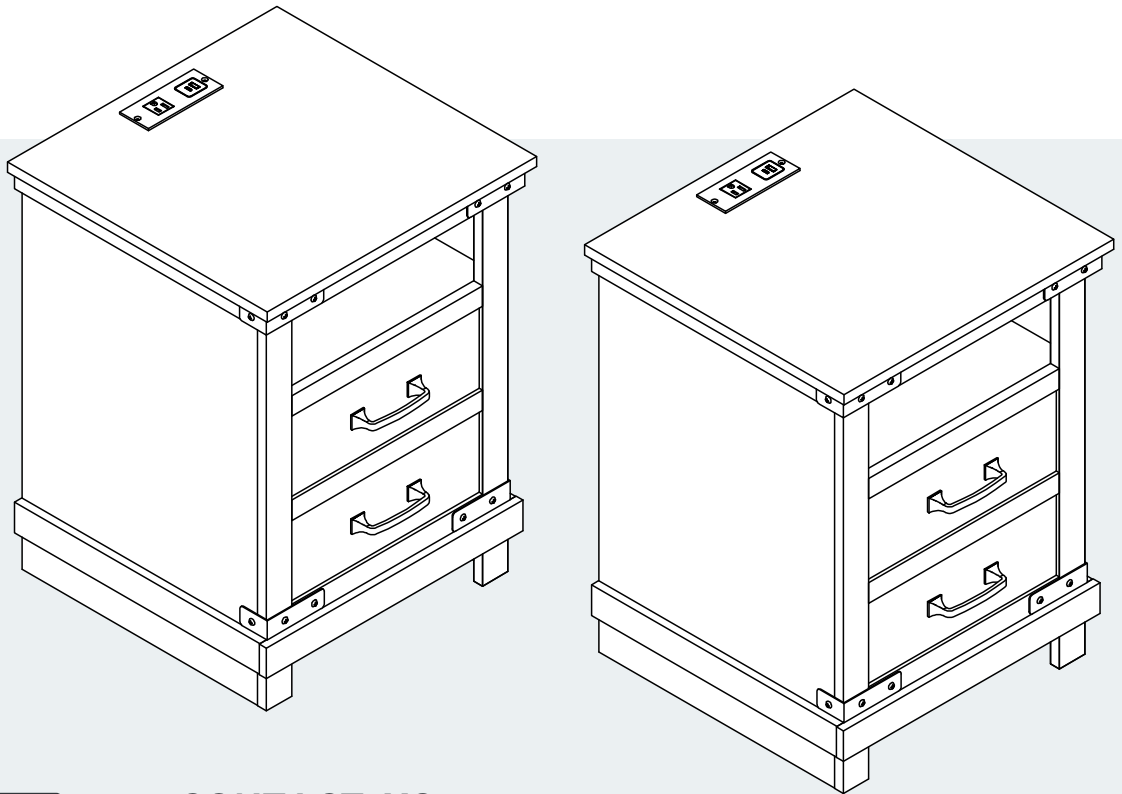


Nightstand

Assembly Instruction - Please keep properly for future reference.

If you find any missing boxes, damaged parts, or accessory shortages, please contact the customer service team of your purchasing channel immediately. We will resolve the issue as quickly as possible.



Dimensions

Width - 18 inch
Depth - 17.3 inch
Height - 24.2 inch

CONTACT US

- **Email: service@grandtunnel.com**
In order to receive assistance more quickly, please provide

THE FOLLOWING INFORMATION:

- Order number
- Purchase platform
- Purchase date
- Detailed description of the issue along with photos (if applicable)

Important - Please read these instructions carefully before starting the installation.

EN



Safety and Care Advice

Important – Please read these instructions fully before starting assembly

- Check you have all the components and tools listed on the following pages.
- Remove all fittings from the plastic bags and separate them into their groups.
- Keep children and animals away from the work area, small parts could choke if swallowed.
- Make sure you have enough space to layout the parts before starting.

- During assembly do not stand or put weight on the product, this could cause damage.
- Assemble the item as close to its final position (in the same room) as possible.
- Assemble on a soft level surface to avoid damaging the unit or your floor.
- Parts of the assembly will be easier with 2 people.



- To reduce the likelihood of damaging your product please ensure that your power drill is set on a low torque setting.

Care and maintenance

- Only clean using a damp cloth and mild detergent, do not use bleach or abrasive cleaners.
- From time to time check that there are no loose screws on this unit.
- This product should not be discarded with household waste. Take to your local authority waste disposal centre.

Handy Hints

- Assemble all parts and bolts loosely during assembly, only once the product is complete should you fully tighten the bolts
- Regularly check and ensure That all bolts and fittings are tightend properly.

WARNING

In order to help prevent overturning – please follow these instructions

To help prevent product toppling over please follow the below steps:

Use the anti tip stap or wall fixing method provided (if applicable)
Do not allow children to climb or hang on the furniture
Do not open more than one drawer at a time
Do not place heavy items in the top drawers
Do not place heavy items on top of the furniture, unless the furniture has been designed for this purpose

Please note that only the anti tip strap is provided.
You will need to provide wall plugs and screws applicable for your wall type

CUSTOMER SERVICE GUIDE

Thank you for choosing our product! We are committed to providing you with excellent service. If you find any missing parts, damaged packaging, or product damage after receiving all packages, please follow the steps below to quickly contact our customer service team. We will do our best to resolve your issue.

1. Missing Parts

Verify Parts:

1. Refer to the “Parts List” in the manual to verify the name, specifications, and quantity of the missing parts.
2. Take a clear photo of the parts list and mark the missing parts with detailed information, e.g., “Missing 5 pieces of M6x30mm screws.”

Contact Us:

- By Email:

Send an email to service@grandtunnel.com, with the subject line “Missing Parts Issue.” Include the following in the email:

- A description of the missing parts and a photo of the parts list.
- Order details (order number, purchase platform, purchase date).

2. Product or Packaging Damage

If it affects normal use:

Steps:

1. Take clear photos or videos showing the damaged parts and the extent of the damage (multi-angle shots are recommended).
2. Email the photos/videos along with other details to service@grandtunnel.com, with the subject line “Product Damage Issue.”

Resolution:

After verification, we will arrange for a replacement part, product exchange, or refund as quickly as possible.

If it does not affect normal use:

Steps:

1. Contact our customer service team (by email: service@grandtunnel.com).
2. Provide a description of the damage and include relevant photos or videos.

Resolution:

We will provide repair guidance or an appropriate compensation plan based on the specific situation.

Contact Us:

- Customer Service Email: service@grandtunnel.com

Helpful Tips

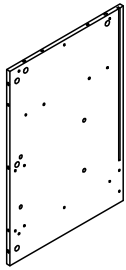
To process your issue efficiently, please prepare the following information:

- Order details (order number, purchase platform, purchase date).
- Clear photos or videos.
- We are committed to providing quick and professional solutions, no matter the size of the issue, to ensure your satisfaction.

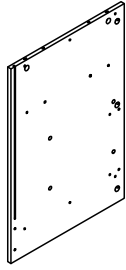
Thank you for your trust and support! We hope you enjoy using our product!

Parts List - Panels

Please check you have all the panels listed below



1 (595X400X12mm)X2



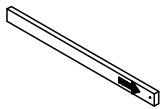
2 (595X400X12mm)X2



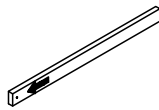
3 (595X43X15mm)X2



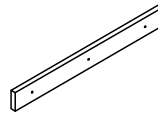
4 (595X43X15mm)X2



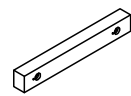
5 (416X30X12mm)X2



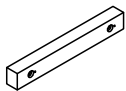
6 (416X30X12mm)X2



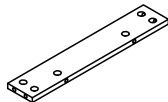
7 (416X45X12mm)X4



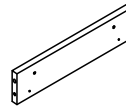
8 (300X40X30mm)X4



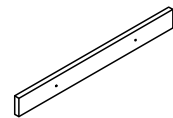
9 (300X40X30mm)X4



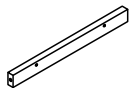
10 (384X70X12mm)X4



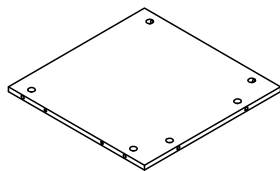
11 (323X75X15mm)X2



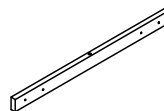
12 (435X45X12mm)X2



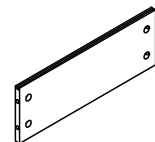
13 (323X30X15mm)X4



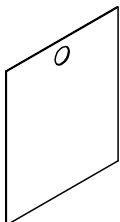
14 (384X384X12mm)X2



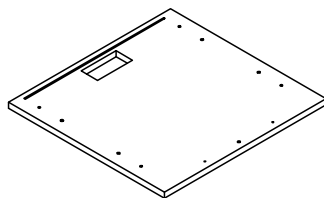
15 (435X30X12mm)X2



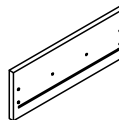
16 (384X135X12mm)X2



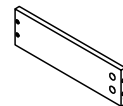
17 (470X394X2.7mm)X2



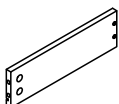
18 (457X440X15mm)X2



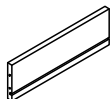
19 (318X118X12mm)X4



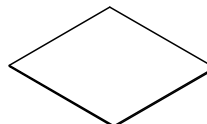
20 (300X88X12mm)X4



21 (300X88X12mm)X4



22 (275X88X12mm)X4




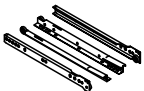



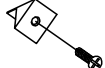



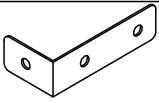



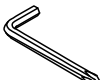


23 (285X297X2.7mm)X4

Parts List - Fittings

Please check you have all the fittings listed below

Note: The quantities below are the correct amount to complete the assembly. In some cases more fittings may be supplied than are required.

A  Male Camlock x 84+2	B  Female Camlock x 84+2	C  Dowel x 38+2
D  Drawer slider 12"x 4	E  4*12mm Screw x 24+2	F  4*12mm Screw x 32+2
G  4*30mm Screw x 16	H  Back Panel Stiffener x 8	I  6*20mm Screw x 32+2
J  6*35mm Screw x 16	K  Handle & Fixings x 4	L  x 8
M  Protective Feet x 12	N  Socket x2	O  3.5*14mm Screw x 4
R  Allen Key M4 x 1		

Tools required



Phillips screwdriver
(medium & large)

Ruler - Use this ruler to help correctly identify the screws

mm

0 5 10 15 20 25 30 35 40 45 50 55 60 65 70 75 80 85 90 95 100 105 110 115 120 125 130 135 140 145 150 155 160 165 170



The screws length is measured from the head to the point (30mm screw shown).

0 1 2 3

inch

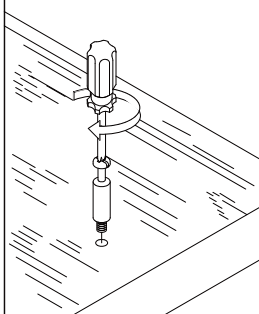
Using Camlocks

Step 1

Connect the male camlock as directed in the assembly instructions using a screwdriver.

1

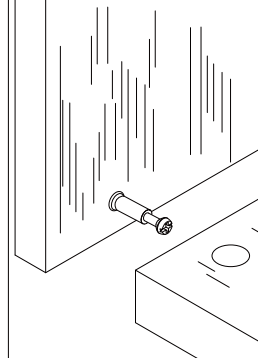
DO NOT OVER TIGHTEN.



Step 2

Push the male camlock into the entry hole.

2

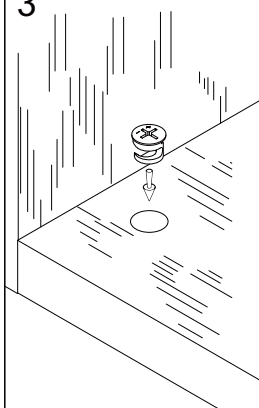


Step 3

Insert the female camlock as shown in the instructions.

Note: ensure that the arrow on the top of the camlock points towards the entry hole for the male camlock.

3



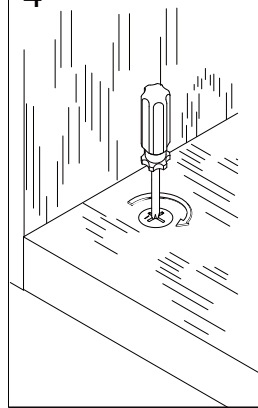
Step 4

Turn the female camlock clockwise with a screwdriver.

You should feel a click when the camlock is locked in place.

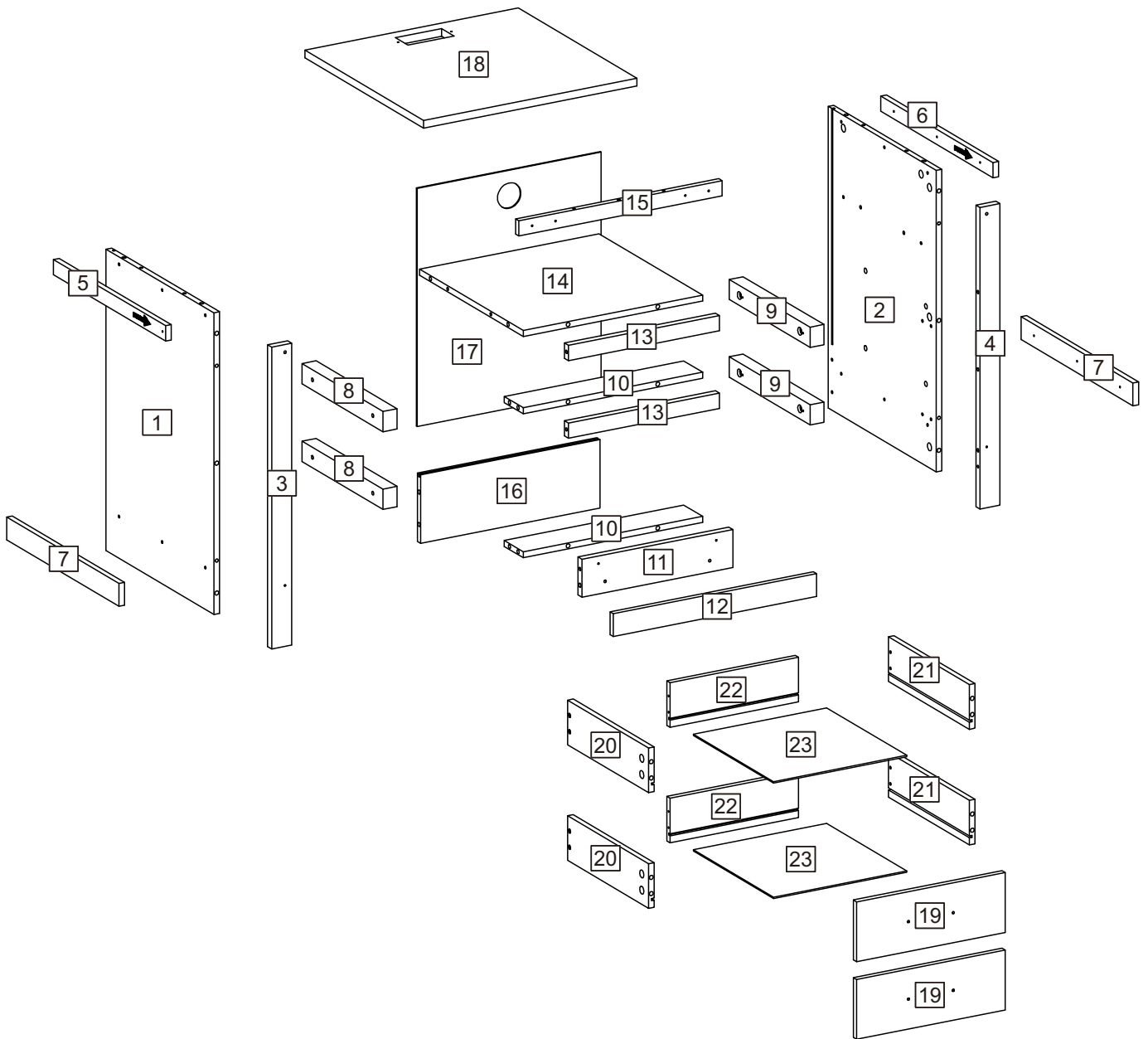
The joint is now secure.

4



Assembly Instructions

x2

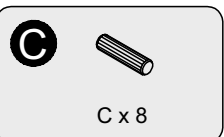
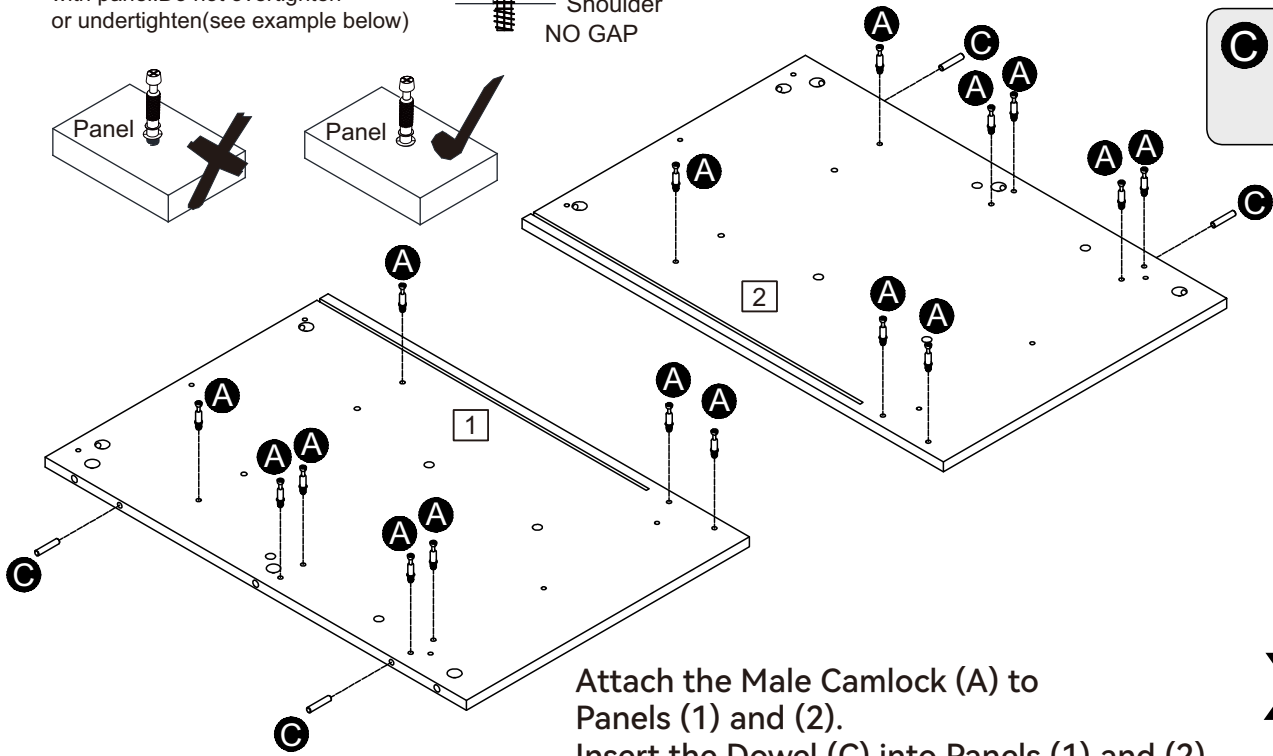
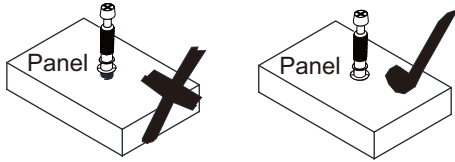


Assembly Instructions

Step 1

CAM-LOCK

Tighten until shoulder is flush with panel. Do not overtighten or undertighten (see example below)

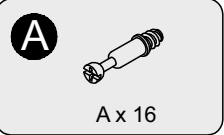
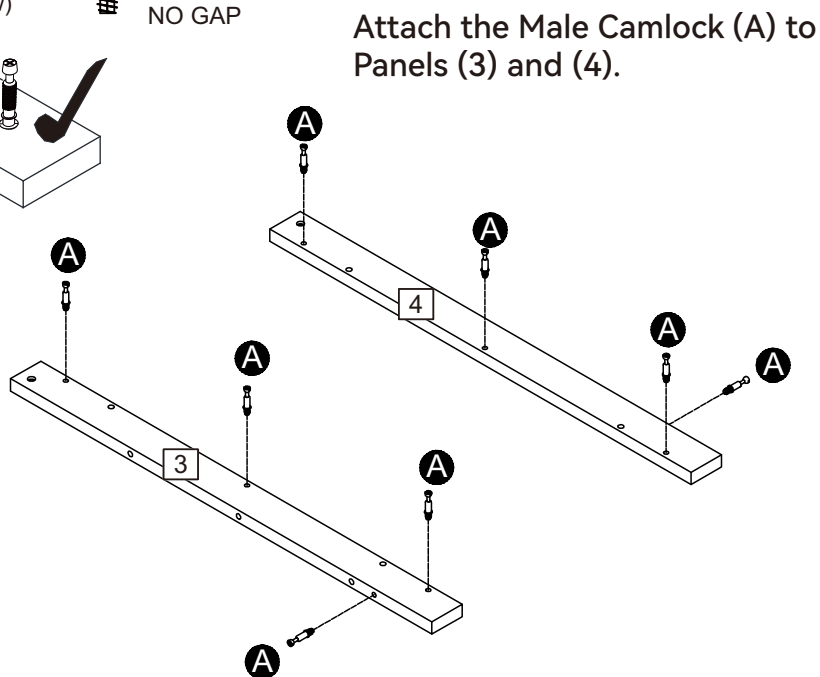
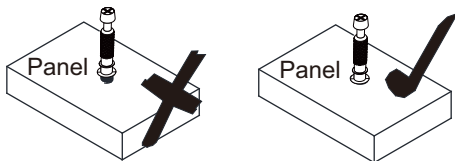


x2

Step 2

CAM-LOCK

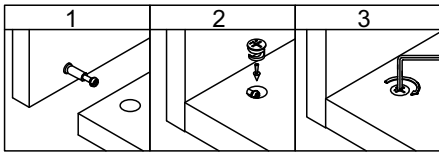
Tighten until shoulder is flush with panel. Do not overtighten or undertighten (see example below)



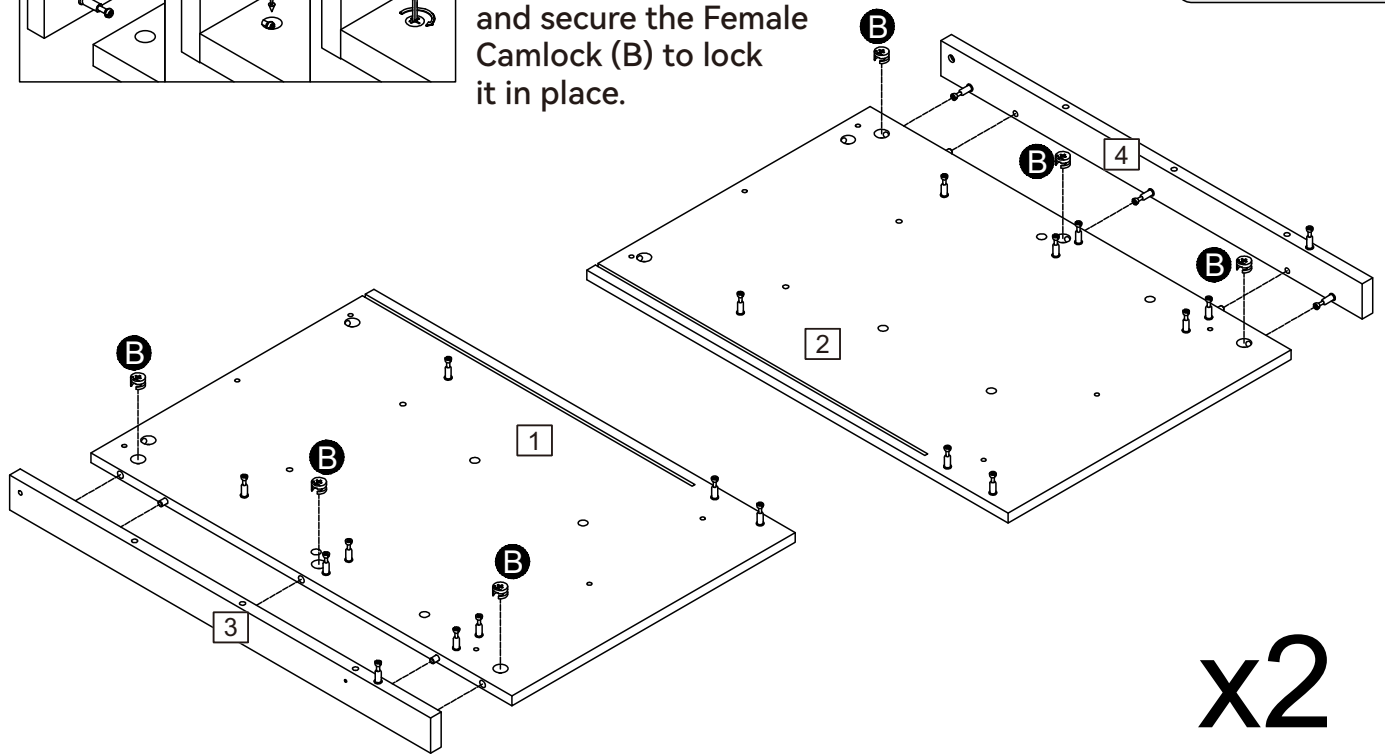
x2

Assembly Instructions

Step 3

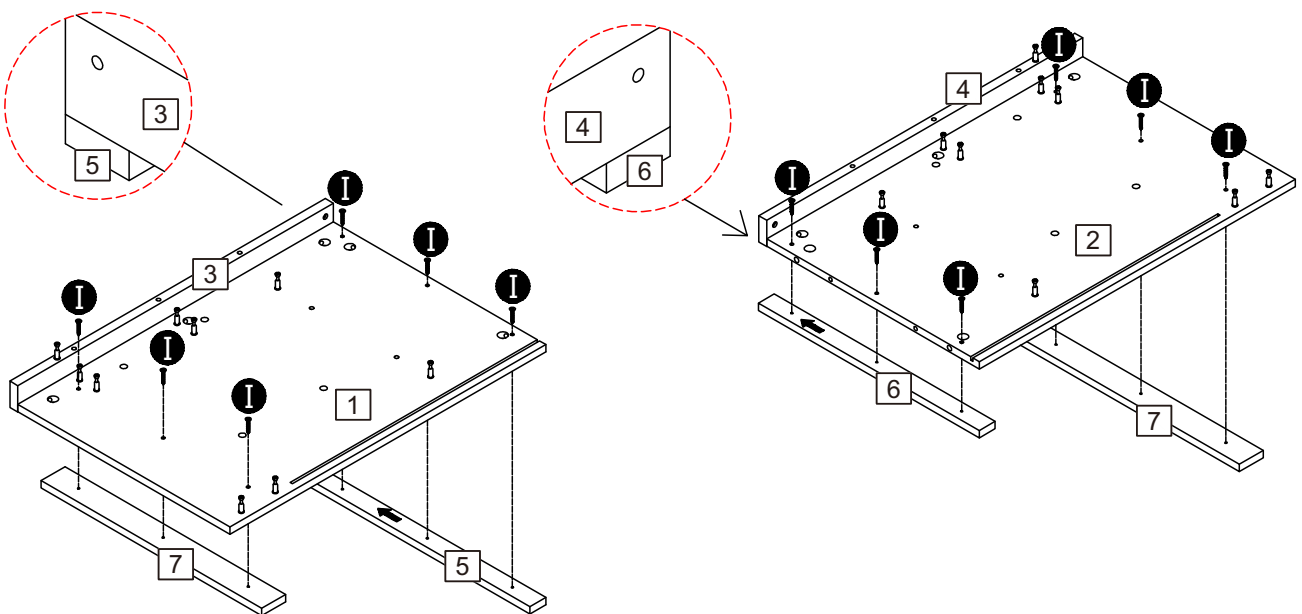


Attach Panel (3) to Panel (1), then insert and secure the Female Camlock (B) to lock it in place.
Attach Panel (4) to Panel (2), then insert and secure the Female Camlock (B) to lock it in place.



Step 4

Attach Panels (5) and (7) to Panel (1), and secure them using Screws (I).
Attach Panels (6) and (7) to Panel (2), and secure them using Screws (I).

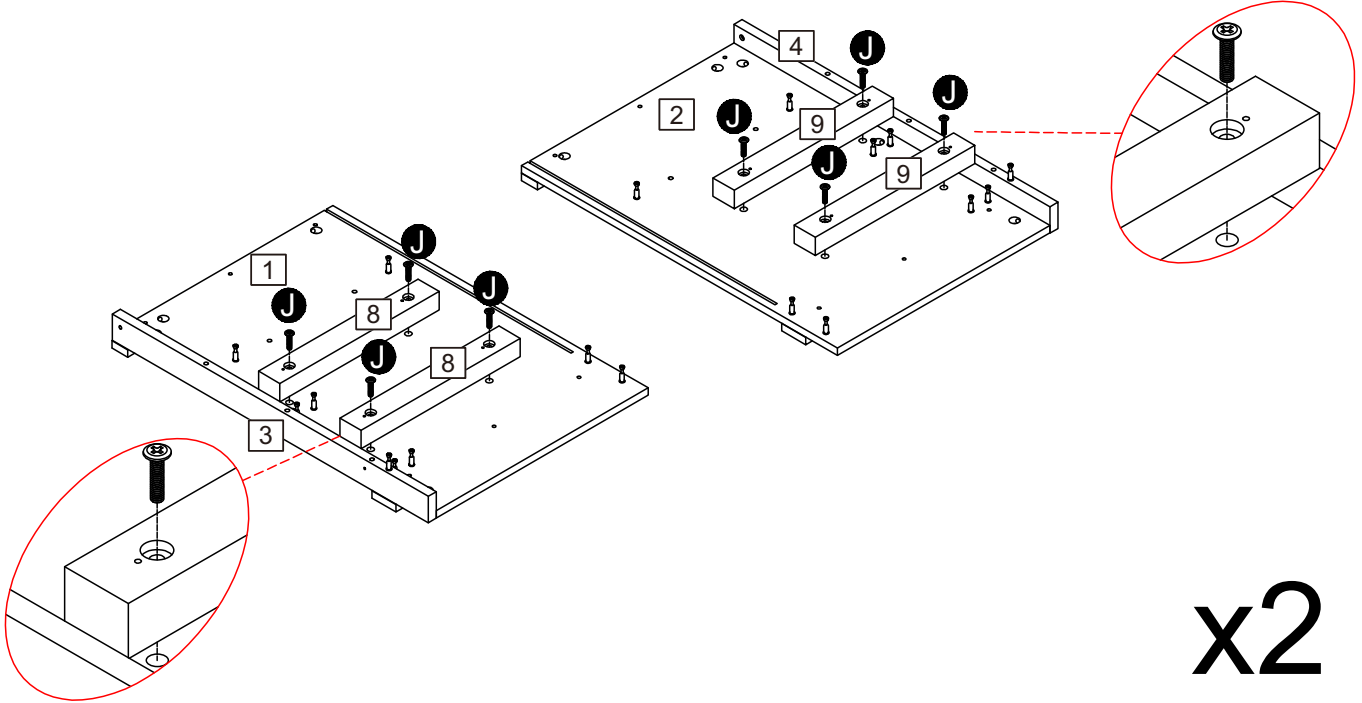


Assembly Instructions

Step 5


Attach Panel (8) to Panel (1), and secure it using Screws (J).
Attach Panel (9) to Panel (2), and secure it using Screws (J).

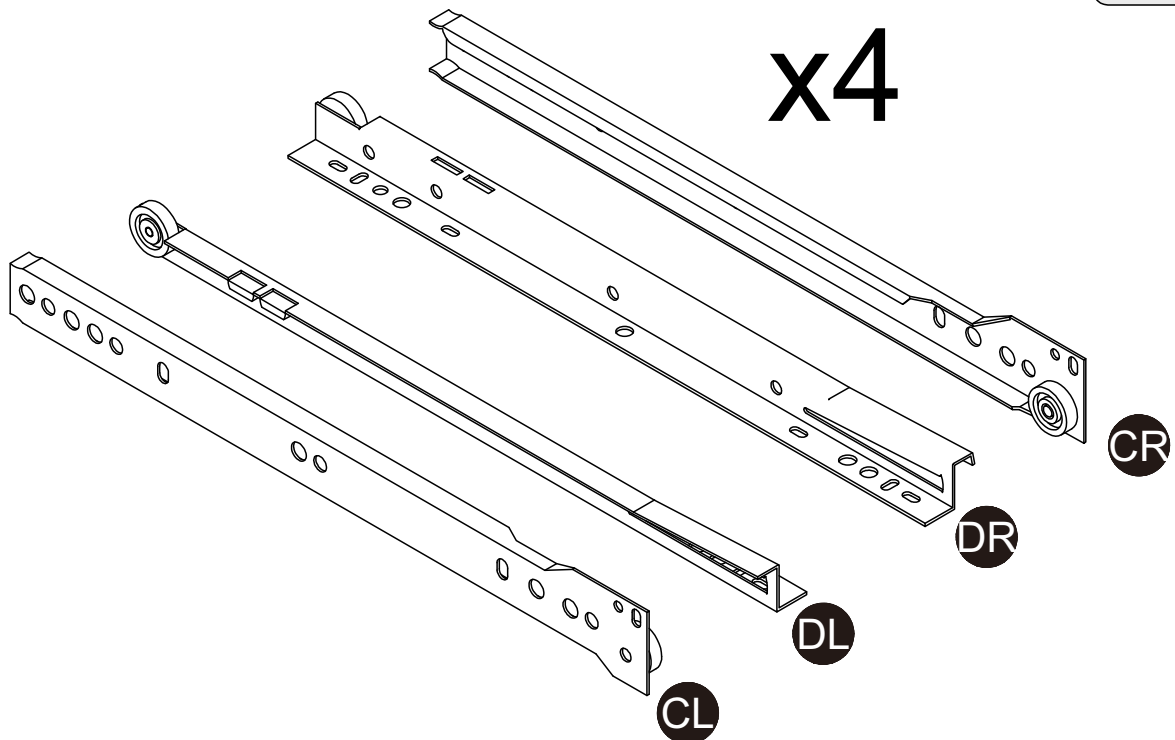
J 
6*35mm
J x 16



Step 6

Drawer Slides (D) ×4 — Separate into (CL), (DL), (DR), and (CR).

D 
D x 4



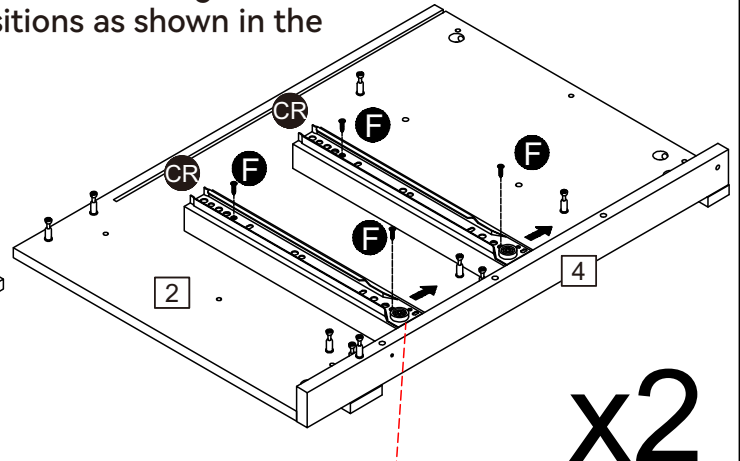
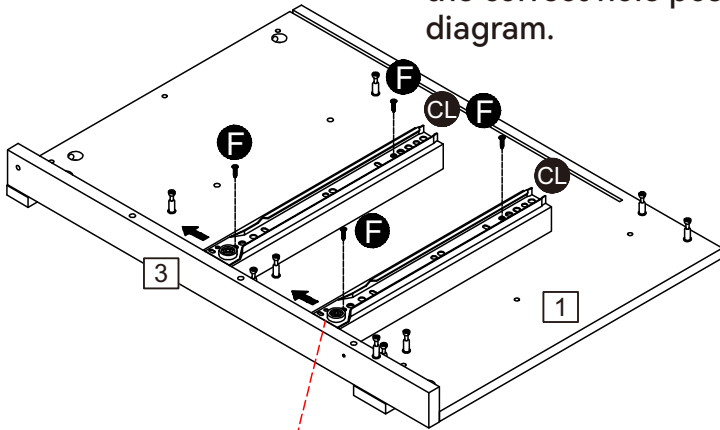
Assembly Instructions

Step 7

Secure Drawer Slide (CL) to Panel (1) using Screws (F)

Secure Drawer Slide (CR) to Panel (2) using Screws (F).

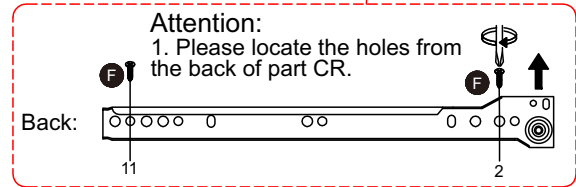
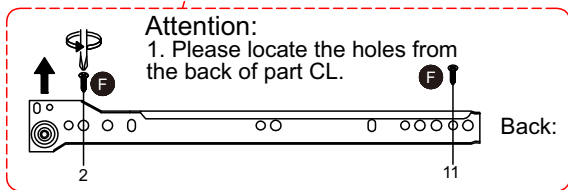
Note: Make sure the slides are aligned with the correct hole positions as shown in the diagram.



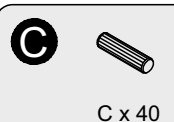
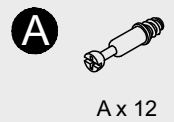
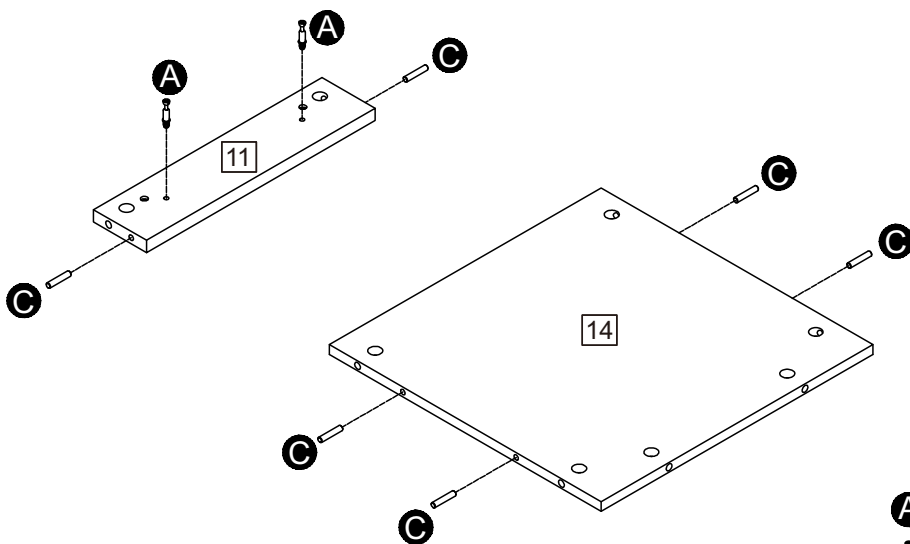
x2

FRONT
←

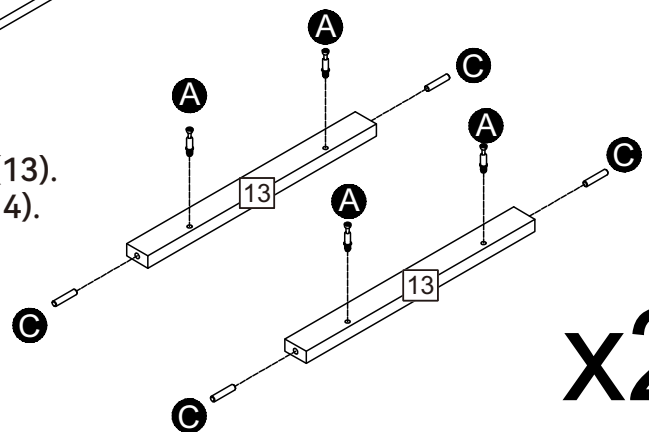
FRONT
→



Step 8



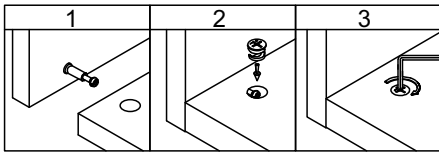
Attach the Male Camlock (A) to Panels (11) and (13).
Insert the Dowel (C) into Panels (11), (13), and (14).



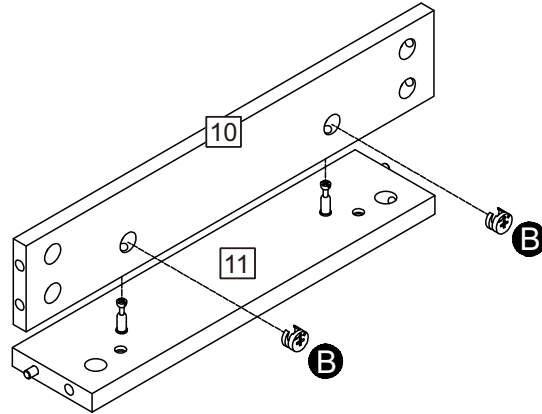
x2

Assembly Instructions

Step 9

**B**

B x 4



Attach Panel (10) to Panel (11), then insert and lock the Female Camlock (B).

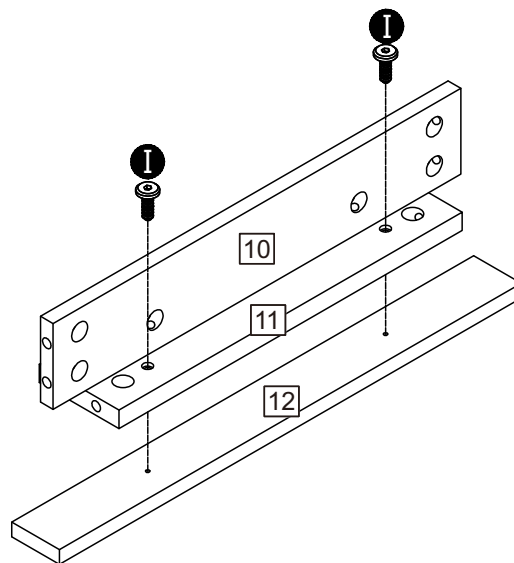
x2

Step 10

I

6*20mm

I x 4

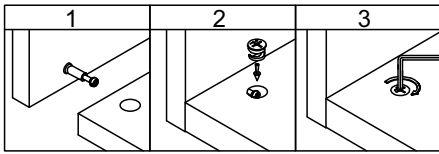


Attach Panel (12) to Panel (11), and secure it using Screws (I).

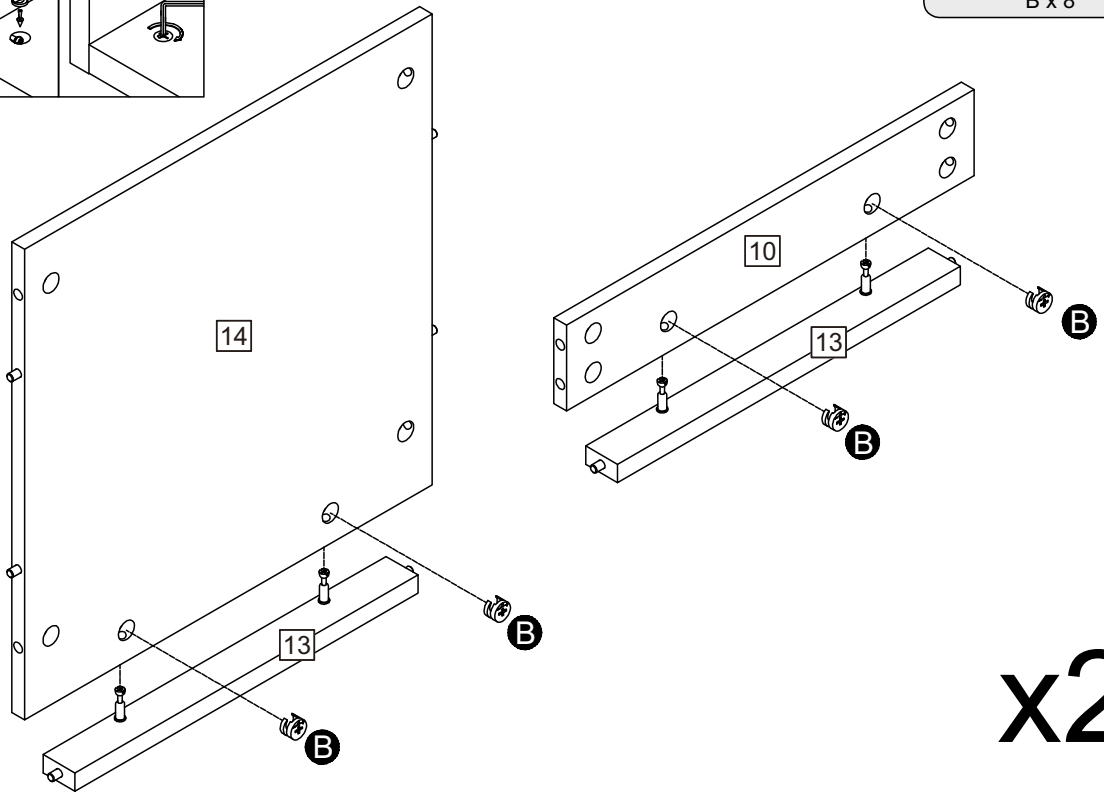
x2

Assembly Instructions

Step 11

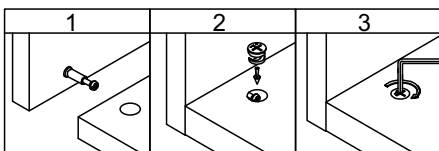


Attach Panel (14) to Panel (13), then insert and lock the Female Camlock (B).
Attach Panel (10) to Panel (13), then insert and lock the Female Camlock (B).

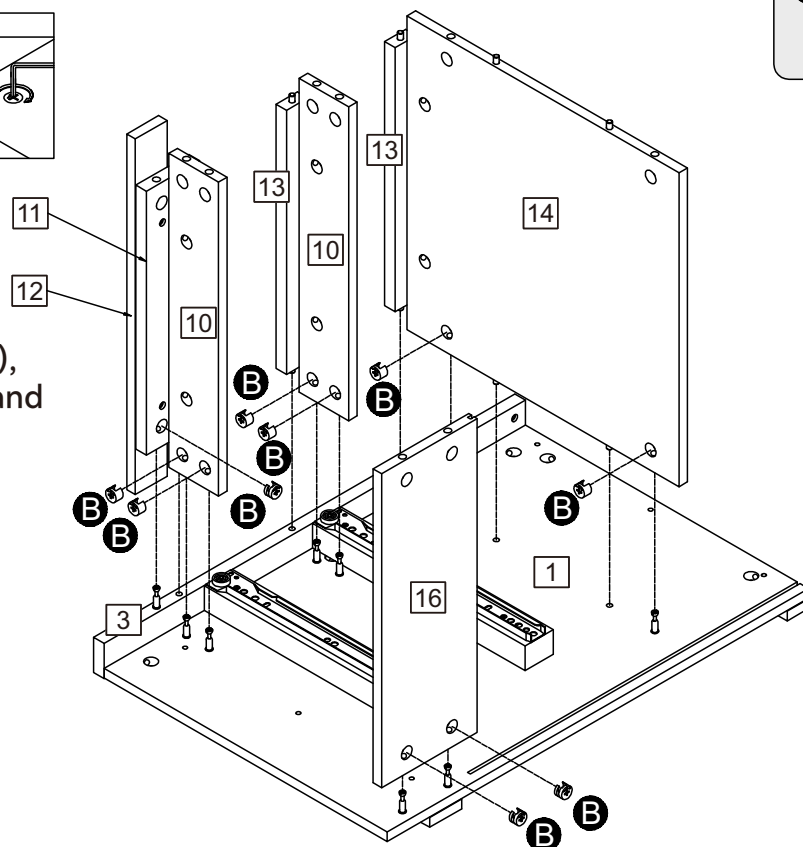
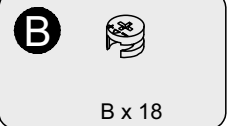


x2

Step 12



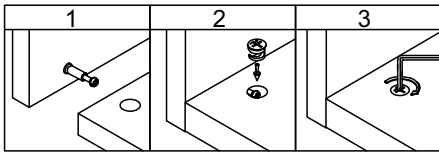
Attach Panels (10), (11), (13), (14), and (16) to Panels (1) and (3), then insert and lock the Female Camlock (B).



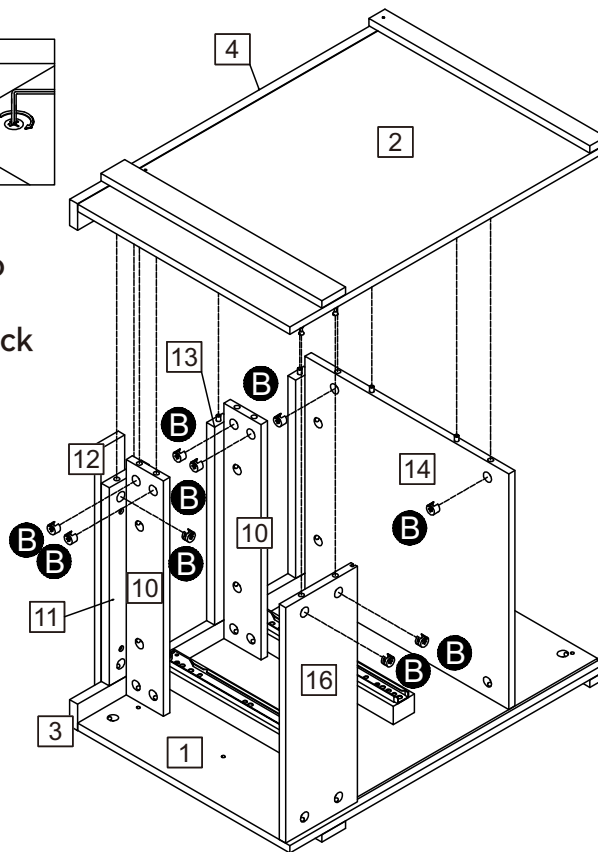
x2

Assembly Instructions

Step 13



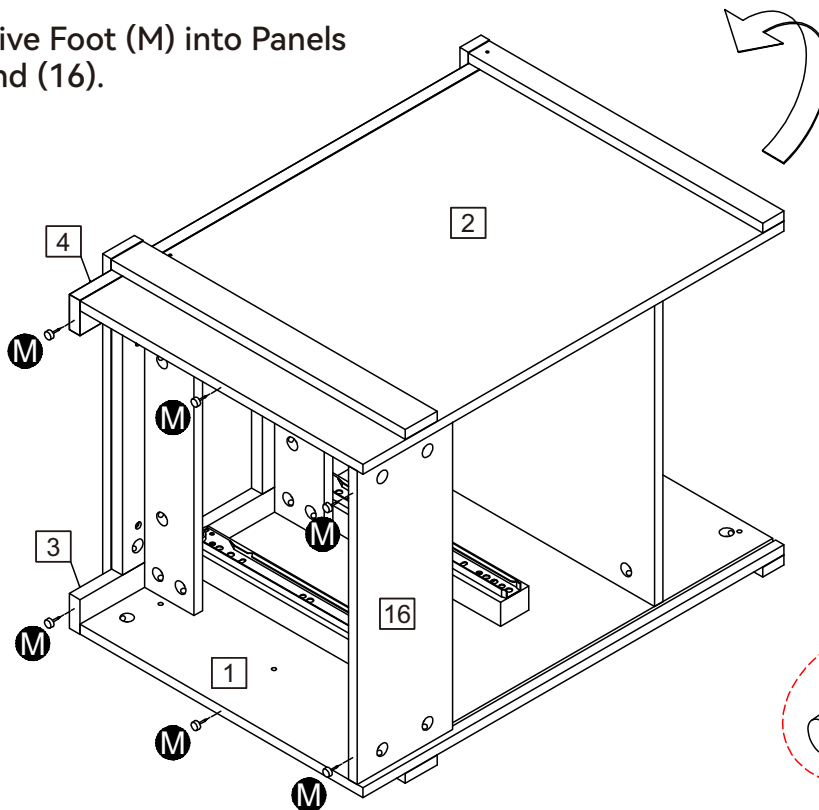
Attach Panels (2) and (4) to Panels (10), (11), (13), (14), and (16), then insert and lock the Female Camlock (B).



x2

Step 14

Insert the Protective Foot (M) into Panels (1), (2), (3), (4), and (16).

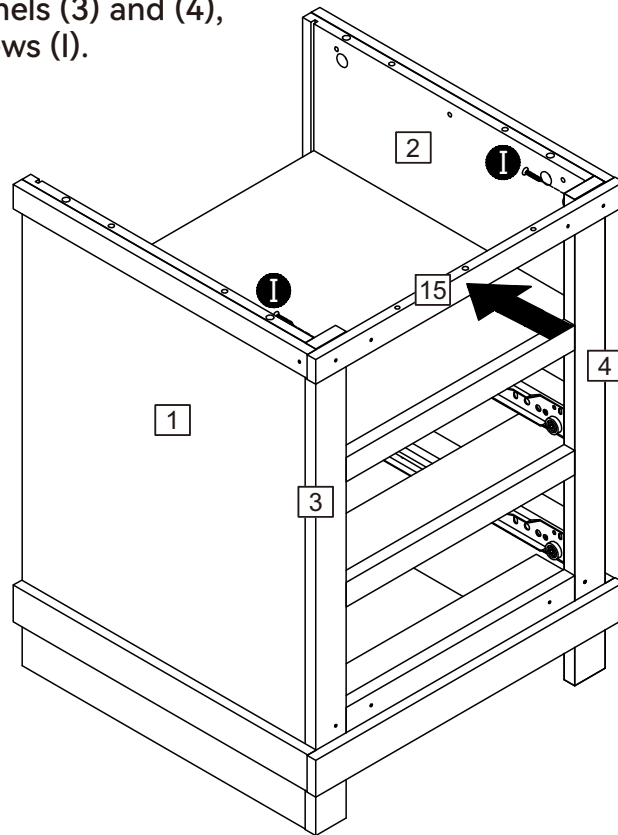


x2

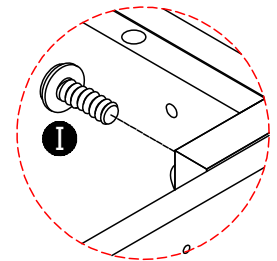
Assembly Instructions

Step 15

Attach Panel (15) to Panels (3) and (4), and secure it using Screws (I).

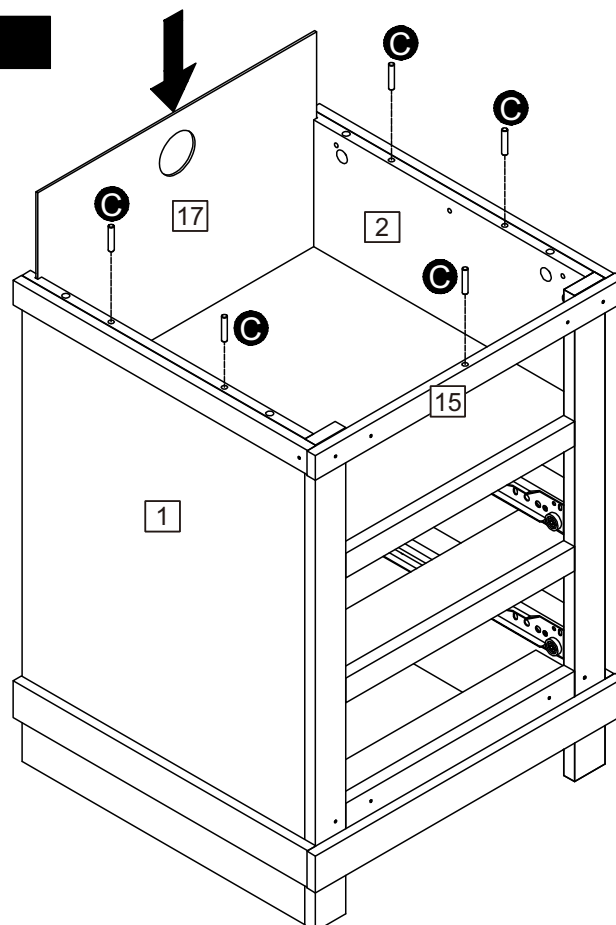


I 
6*20mm
I x 4



x2

Step 16



C 
C x 10

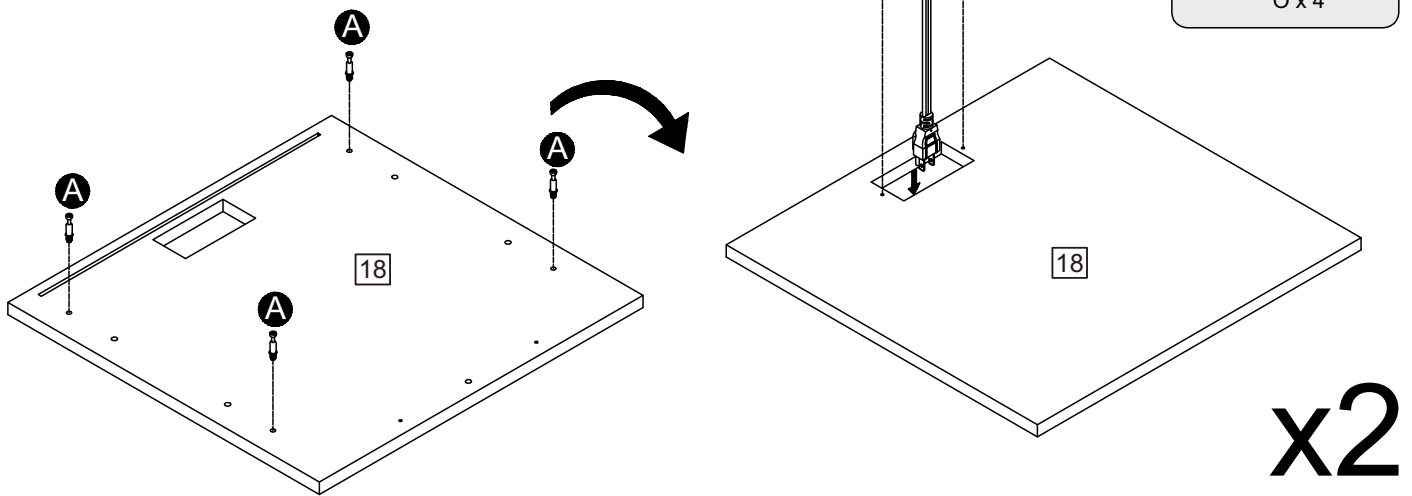
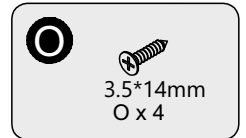
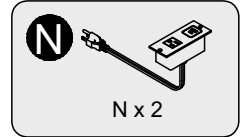
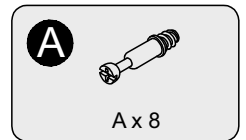
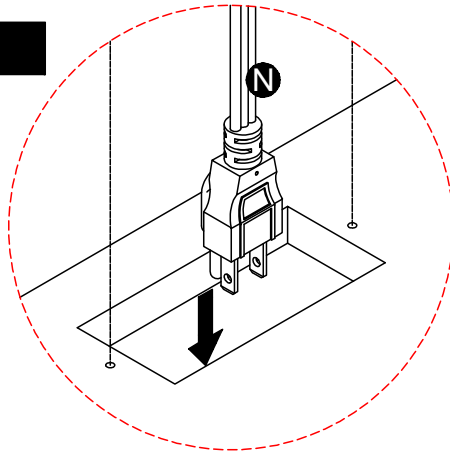
Slide Back Panel (17) into the grooves as shown in the diagram.
Insert Dowel (C) into Panels (1), (2), and (15).

x2

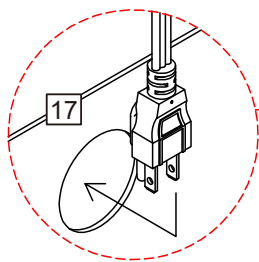
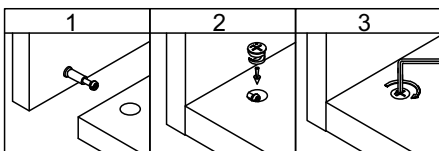
Assembly Instructions

Step 17

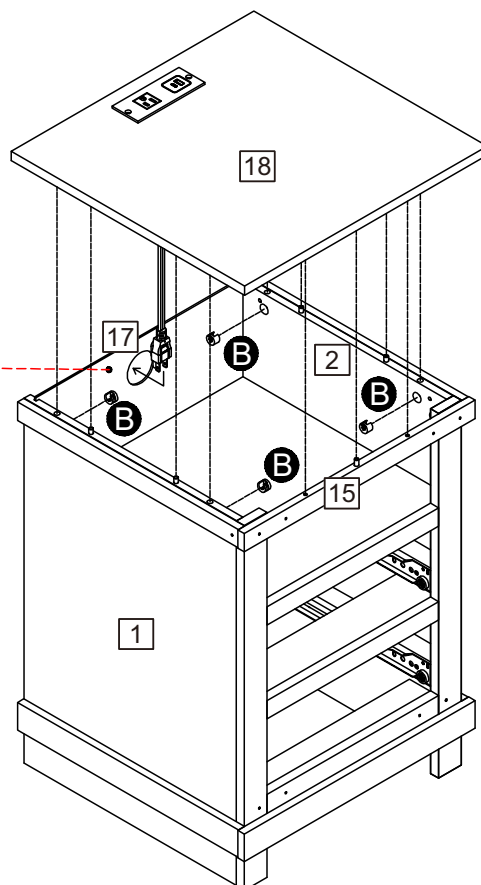
Attach Male Cambolt (A) to Panel (18). Attach Socket (N) to Panel (18) and secure it using Screws (O).



Step 18

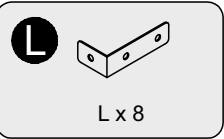
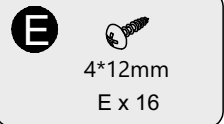
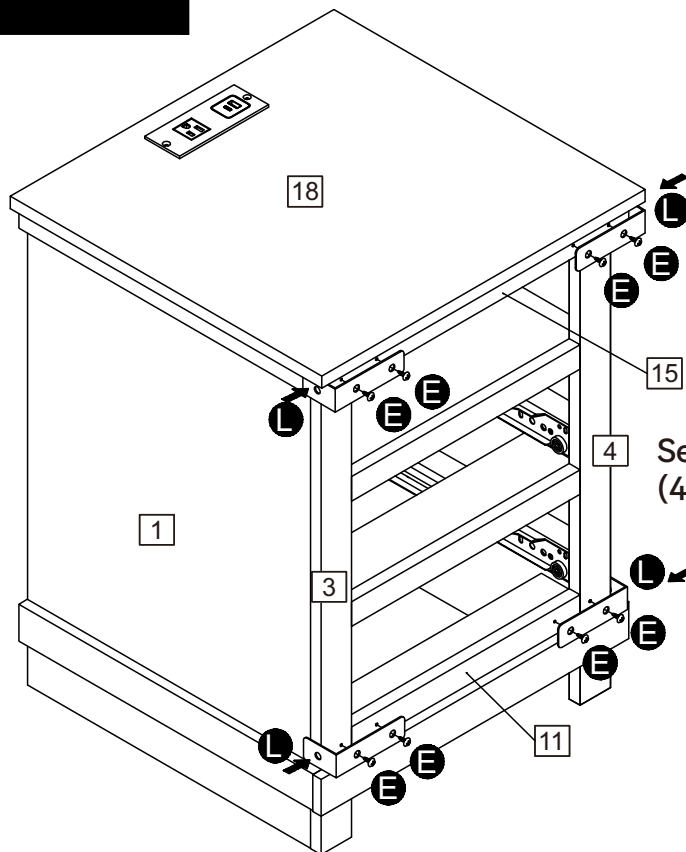


Attach Panel (18) to Panels (1), (2), and (15), then insert and secure Female Camlock (B) to lock it in place.



Assembly Instructions

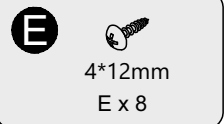
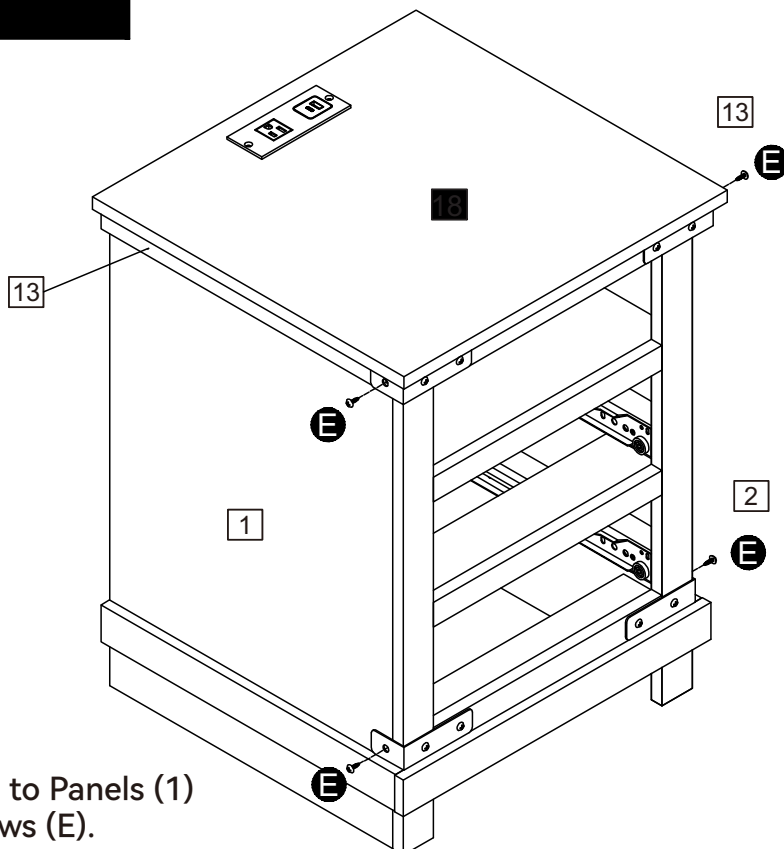
Step 19



Secure Bracket (L) to Panels (3), (4), (11), and (15) using Screws (E).

x2

Step 20

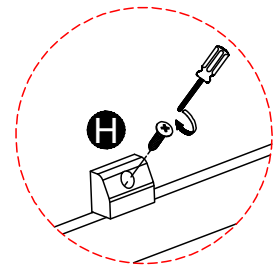
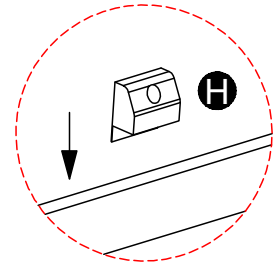
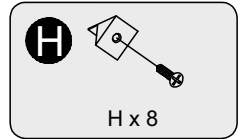
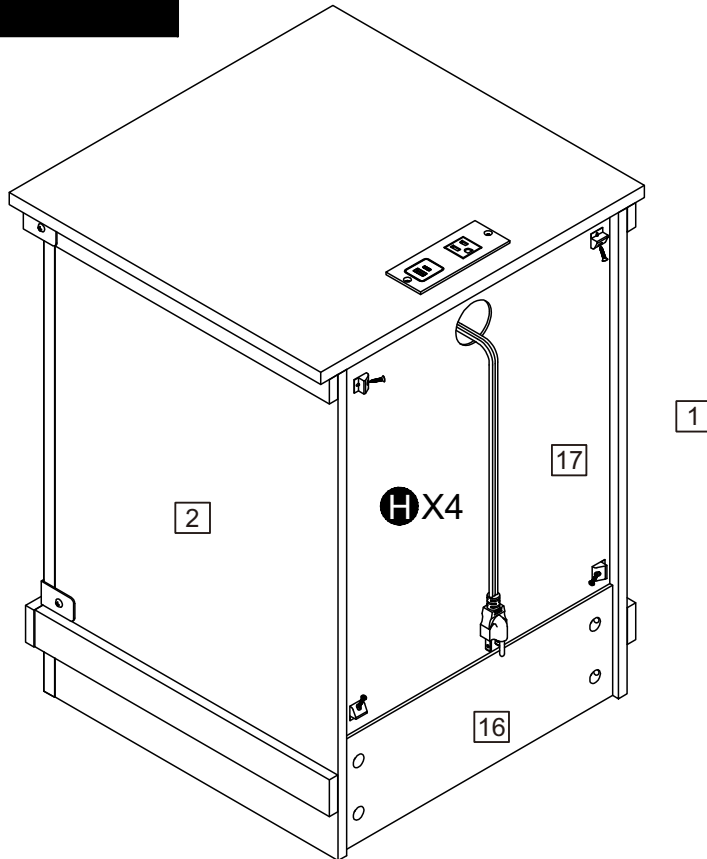


Secure Bracket (L) to Panels (1) and (2) using Screws (E).

x2

Assembly Instructions

Step 21

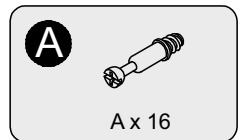
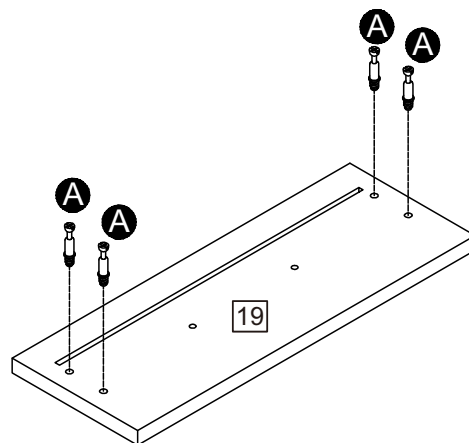


x2

Feed the power cord through the back panel.
Secure the Back Panel Stiffener (H) to the panel using a screwdriver.

Step 22

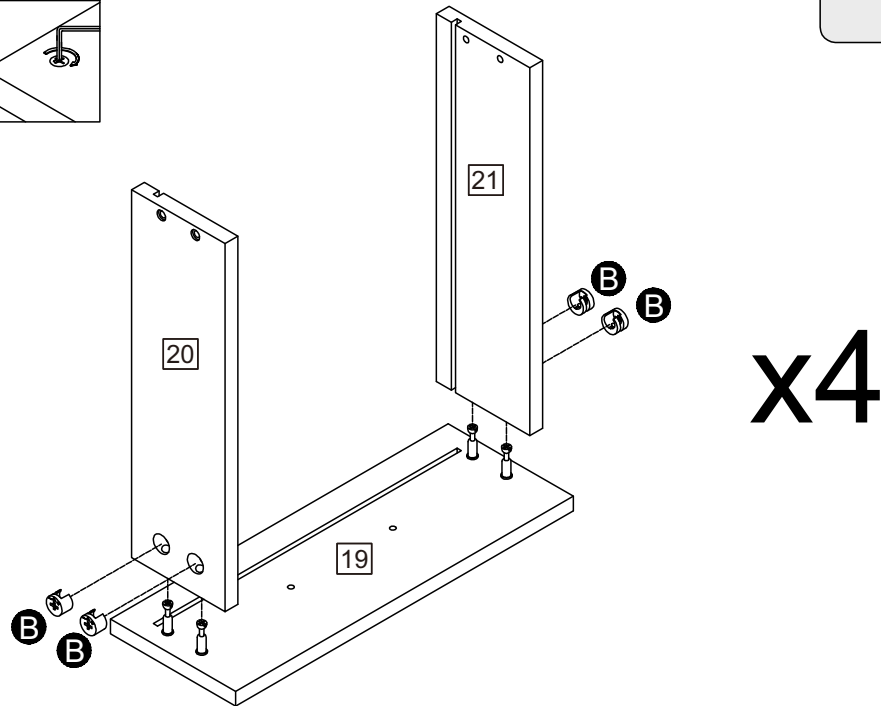
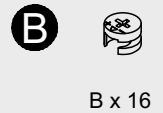
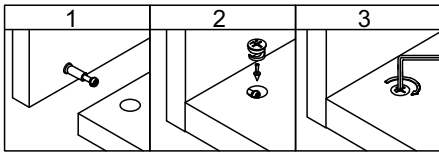
Attach Male Camlock (A) to Panel (19).



x4

Assembly Instructions

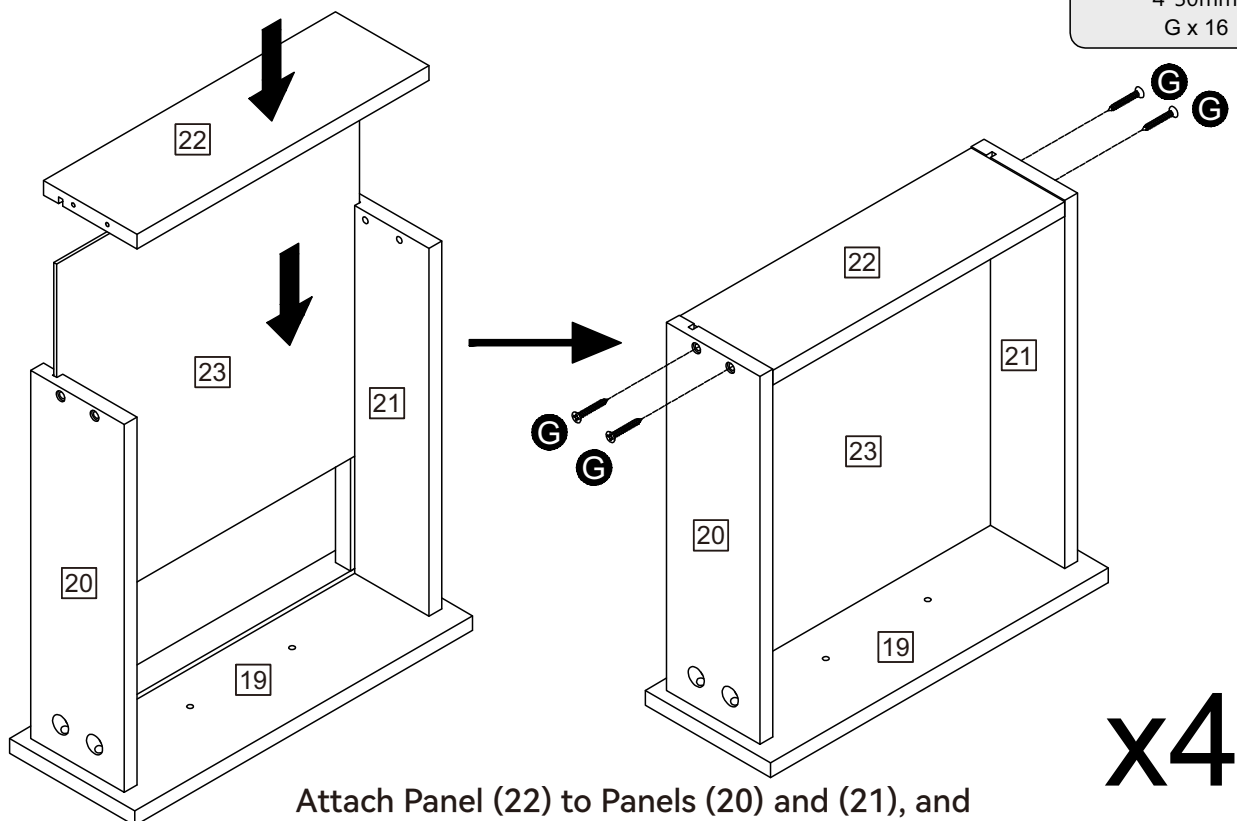
Step 23



Attach Panels (20) and (21) to Panel (19), then insert and secure Female Camlock (B) to lock them in place.

Step 24

Slide Back Panel (23) into the grooves as shown in the diagram.

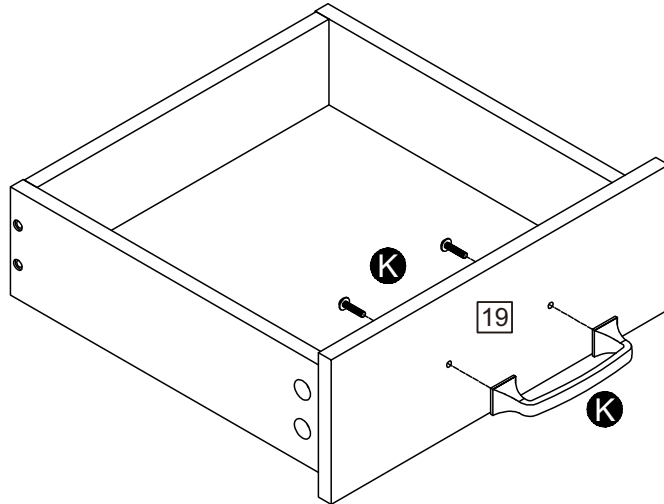


Attach Panel (22) to Panels (20) and (21), and secure with Screws (G).

Assembly Instructions

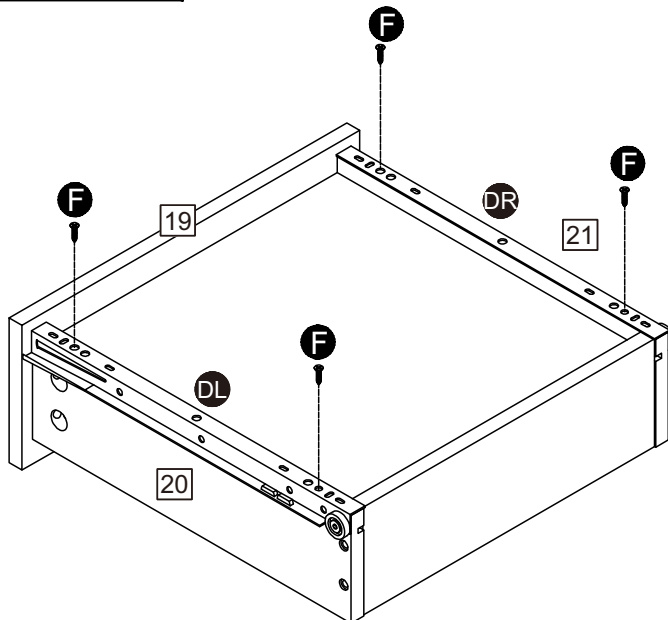
Step 25

Attach Handle & Fixings (K) to Panel (19).



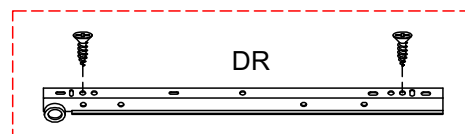
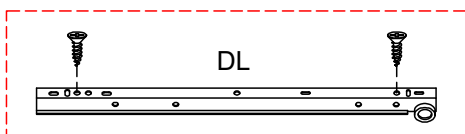
x4

Step 26



Attach Drawer Slides (DL) and (DR) using Screws (F).
Note: Make sure the holes on the slides are aligned as shown in the diagram.

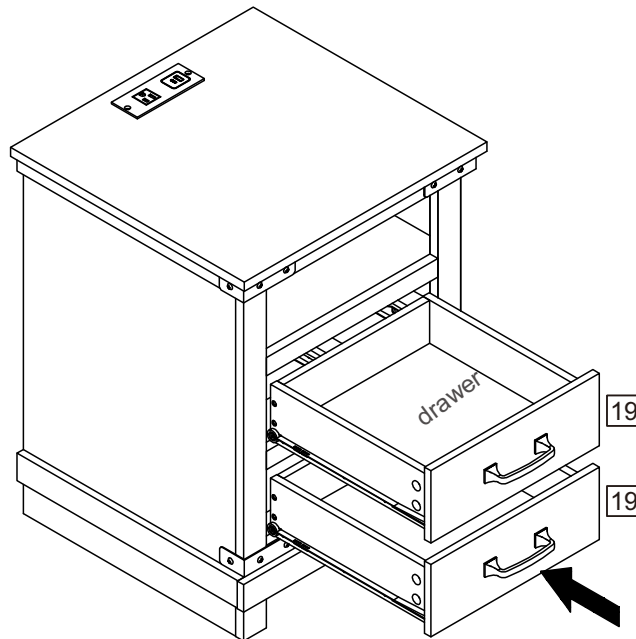
x4



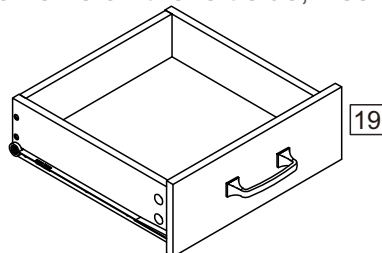
Assembly Instructions

Step 27

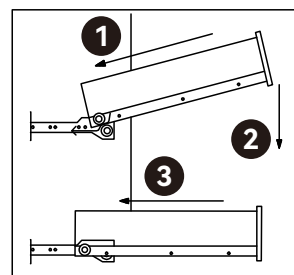
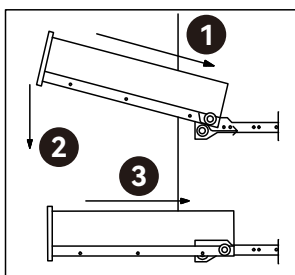
Congratulation! You've made to the last step! But don't be too thrilled yet, put on the drawer can be frustrating if you do it wrong. So, take your time and follow the steps below.



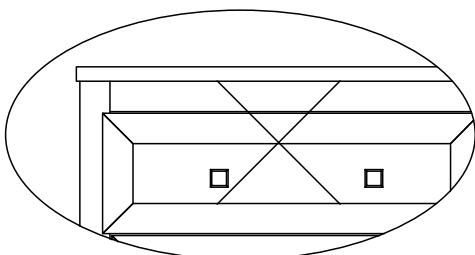
1. Make sure that you have right and left drawers sorted out first, because the drawer panel may cover the side if the right drawer is on the left side, vice versa.



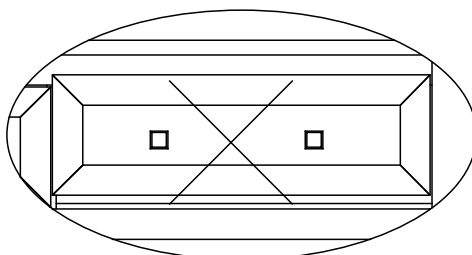
2. Please ensure that you have matched the wheels on BOTH sides of the drawer with the wheels on rails installed BEFORE push in the drawer.



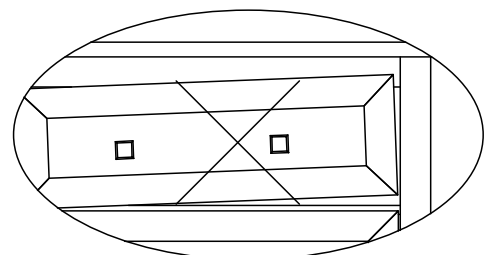
3. If the following occurs, redo the first two steps.



(drawer is on the wrong side)



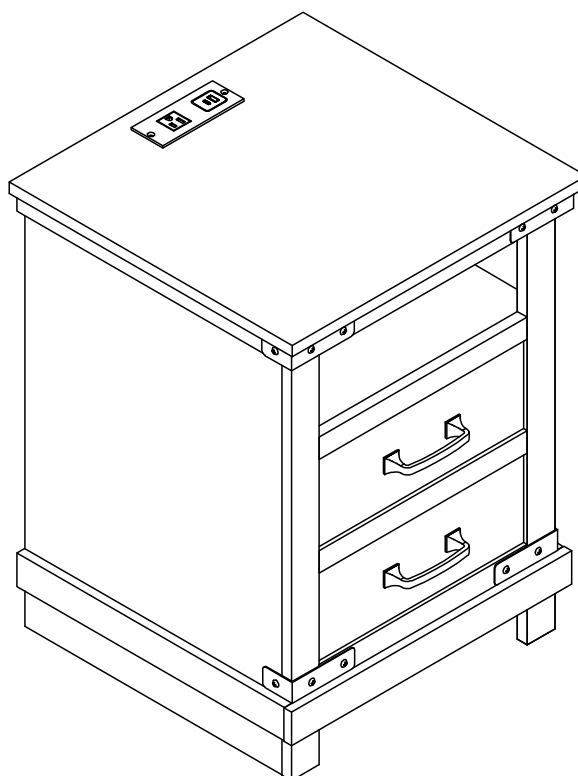
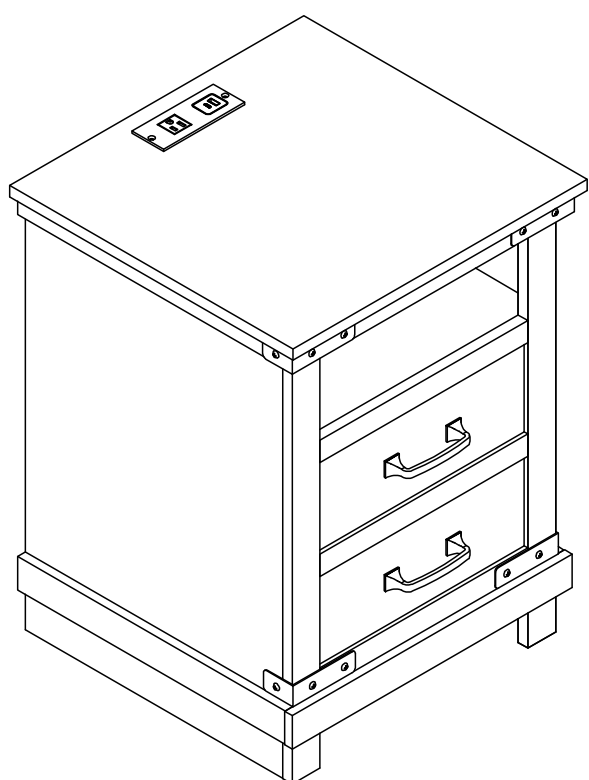
(both wheels are off the rails)



(one wheel is off the rail)

Assembly Instructions

Step 28



Assembly is complete

| Nightstand

SKU:

BG10K1-1A2A0

BG10K1-1A2B0

BG10K1-1A2C0

BG10K1-1A2D0

BG10K1-1A2E0

V1.0